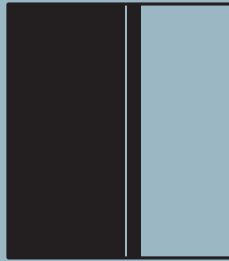


# BeoLab 4000

Type 6636, 6637, 6638, 6639, 6640

# BeoLab 4000 New version and Corrections

From serial no.: 12893602



## CONTENTS

Specification guidelines for service use .....	8-1
<b>Diagrams etc.</b> .....	<b>9</b>
Explanation of diagram .....	9-1
Diagrams .....	9-2 - 9-3
PCB drawing .....	9-4
<b>List of electrical parts</b> .....	<b>10</b>
<b>List of mechanical parts</b> .....	<b>11</b>
<b>Adjustments and repair tips</b> .....	<b>12</b>
Adjustment .....	English 12-1    German 12-5    French 12-10    Italian 12-15    Spanish 12-20
Repair tips .....	12-2    12-7    12-12    12-17    12-22
<b>Disassembly</b> .....	<b>13</b>
<b>Insulation test</b> .....	<b>14</b>

**TECHNICAL SPECIFICATIONS**

<b>BeoLab 4000</b>	Type 6636 (EU), 6637 (GB)
	6638 (USA-CDN), 6639 (J), 6640 (AUS)

**System data:**

Frequency response	55-20.000 Hz
Sound Pressure Level (SPL)	97 dB/IEC noise
	3 m/stereo/room
Input impedance	47 k $\Omega$
Harmonic distortion	<6% 97 dB SPL/1 m/250-1000 Hz
	<2% 97 dB SPL/1 m/1000-5000 Hz
Input sensitivity	125 mV (88 dB SPL per channel)

**Electronics:**

Active crossover network	Linkwitz/Riley
High pass filter	30 dB/octave, 51 Hz
Low frequency equalization	51 Hz/+10 dB

**Acoustics and cabinet:**

Cabinet principle	Bass Reflex
Woofers	11.4 cm 4½"
Tweeter	1.8 cm ¾"
Magnetic shield	Yes
Crossover frequency	3.3 kHz
Net. volume	4 litres

**Power amplifier:**

Signal to noise ratio	≥84 dBA (1 W in woofer)
Input sensitivity/impedance:	
Power Link sockets	1 V/47 k $\Omega$
Power Link channel separation	>55 dB/10,000 Hz
Standby function	Automatic ON-Standby
Longterm maximum output power	52 W

**Connections:**

Power Link	2 x 8-pin socket
Line	Phono socket
Power supply	230 Volts (6636, 6637), 120 Volts (6638)
	100 Volts (6639), 240 Volts (6640)
Power consumption	23 Watts (IEC 65), typical 8 Watts (SPL = 70 dB)
Stand-by	<0.5 Watts
Finish	Aluminium, Black, Green
Front cloth	Grey, Black, Green
Total dimensions W x H x D with wall bracket	28 x 32 x 16 cm
Weight	5.7 kg

**Accessories:**

Stand	1206466
Front cloth	3320309, Grey
	3320308, Green
	3320310, Black

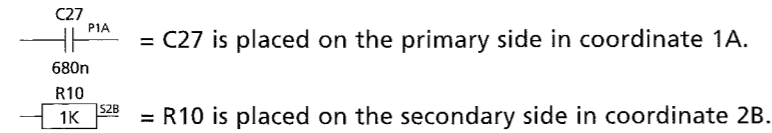
**Subject to change without notice**

**EXPLANATION OF DIAGRAM**

Type numbers of transistors and ICs are indicated on the diagrams. If the position is followed by an asterisk the spare part number must always be used because the component in question has been specially selected, e.g. IC4\*.

**Component print and coordinate system**

The largest PCBs have component prints and a coordinate system on both the primary and the secondary side. On the diagrams every component has a coordinate number. This indicates in which coordinate on the PCB the component is situated. The coordinate numbers are written in smaller print types than the position numbers.

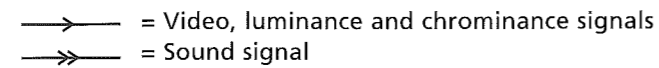


**Control circuit**

In certain control circuits the active mode is indicated by a function term or by an abbreviation. This may be e.g. ST.BY. = low in the stand-by mode or ST.BY. = high in the stand-by mode.

**Signal paths and IC markings**

The signal paths are shown in the diagrams by means of semibold lines and arrow heads. As shown, two different types of arrow head are used:



The arrow heads shown in the IC pins tell whether the pin indicated is an input or an output.

**Wiring connections**

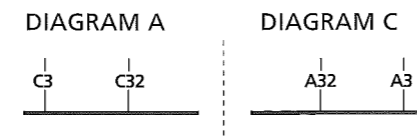
The wiring connections on the diagrams are assembled in 'bundles'. The individual wires are provided with one of the following codes:

**INTERNAL CONNECTION ON ONE DIAGRAM PAGE**



Internal connections on a diagram page are indicated by a number. The bend of the wire indicates in which direction the other end of the wire is found.

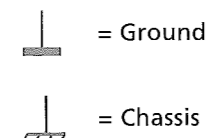
**CONNECTION TO ANOTHER DIAGRAM PAGE**



A connection to another diagram page is indicated by a number as well as by a letter of the diagram to which the connection leads.

**Ground symbols**

Four different ground symbols are used in the set.



**Symbol of safety components**



When replacing components with this symbol, components with identical part numbers must be used. The new component must be mounted in the same way as the one replaced.

**Measuring conditions**

All DC voltages have been measured in relation to ground with a voltmeter with an input impedance of 10 Mohms.

The DC voltages are stated in volts (V), e.g. 0.7V.

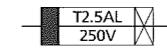
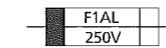
All oscillograms and AC voltages have been measured in relation to ground with an oscilloscope or a voltmeter with an input resistance of 1Mohm.

AC voltages are stated in millivolts (mV), e.g. 660mV.

**Explanation of the fuse symboles used in the set**

Replace with the same type 1 ampere 250 volts quick acting fuse.

Replace with the same type 2.5 ampere 250 volts slow acting fuse.



**Explanation des symboles de fusible utilisés dans l'appareil**

Remplacer par un fusible rapide de même type et de 1 ampères 250 volts.

Remplacer par un fusible retardé de même type et de 2.5 ampères 250 volts.

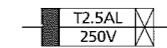
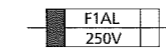


DIAGRAM A INPUT AND CROSSOVER

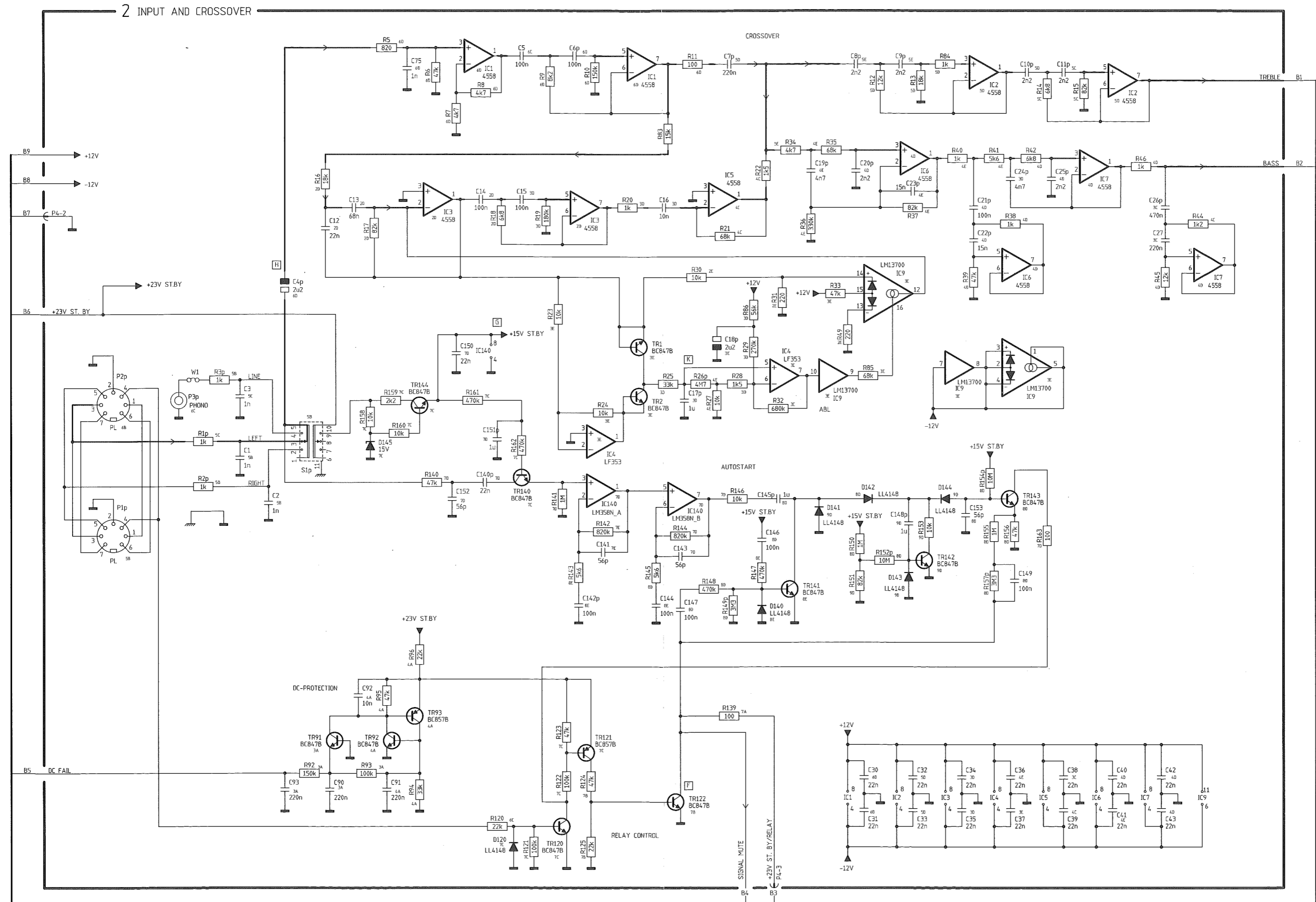
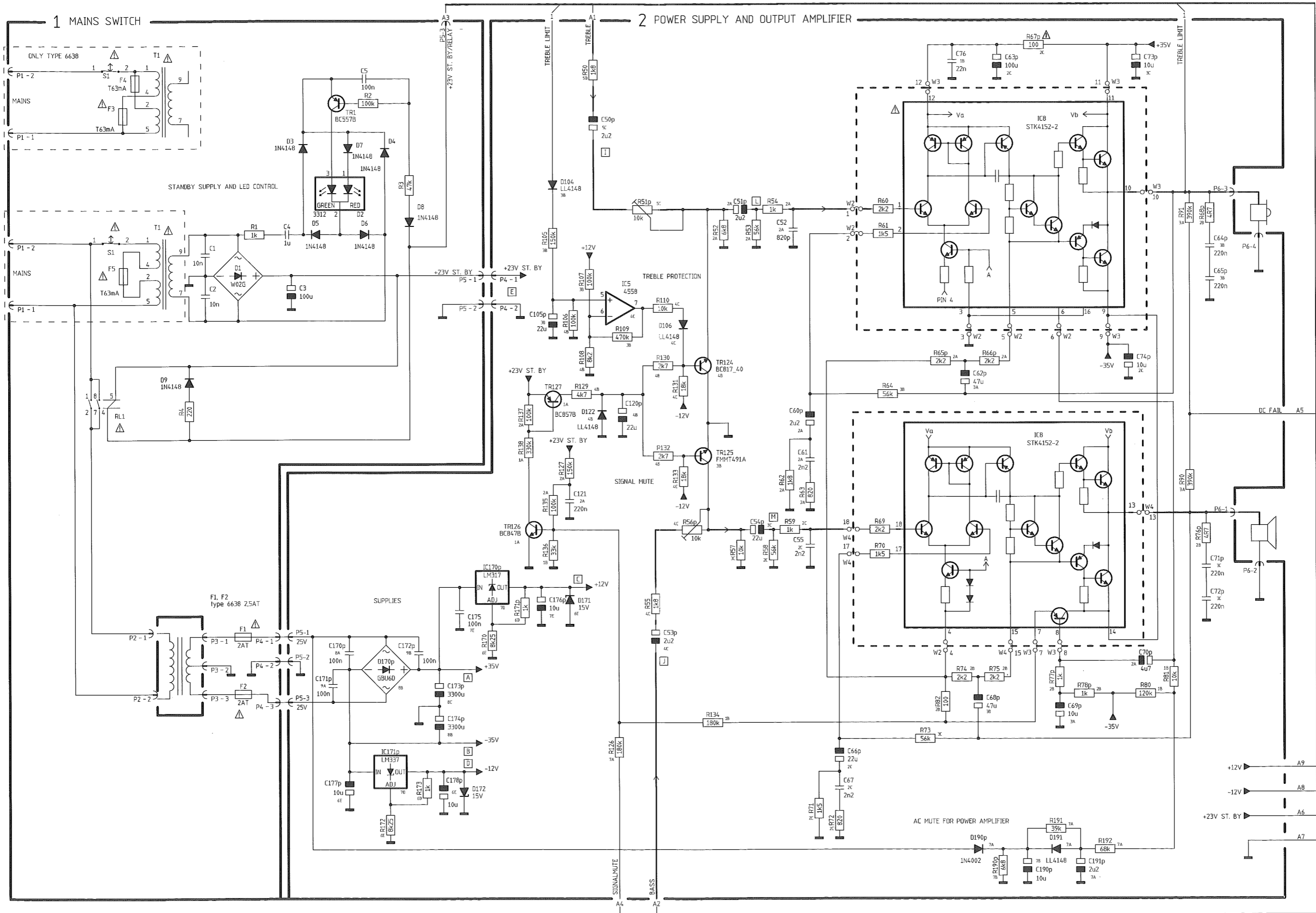
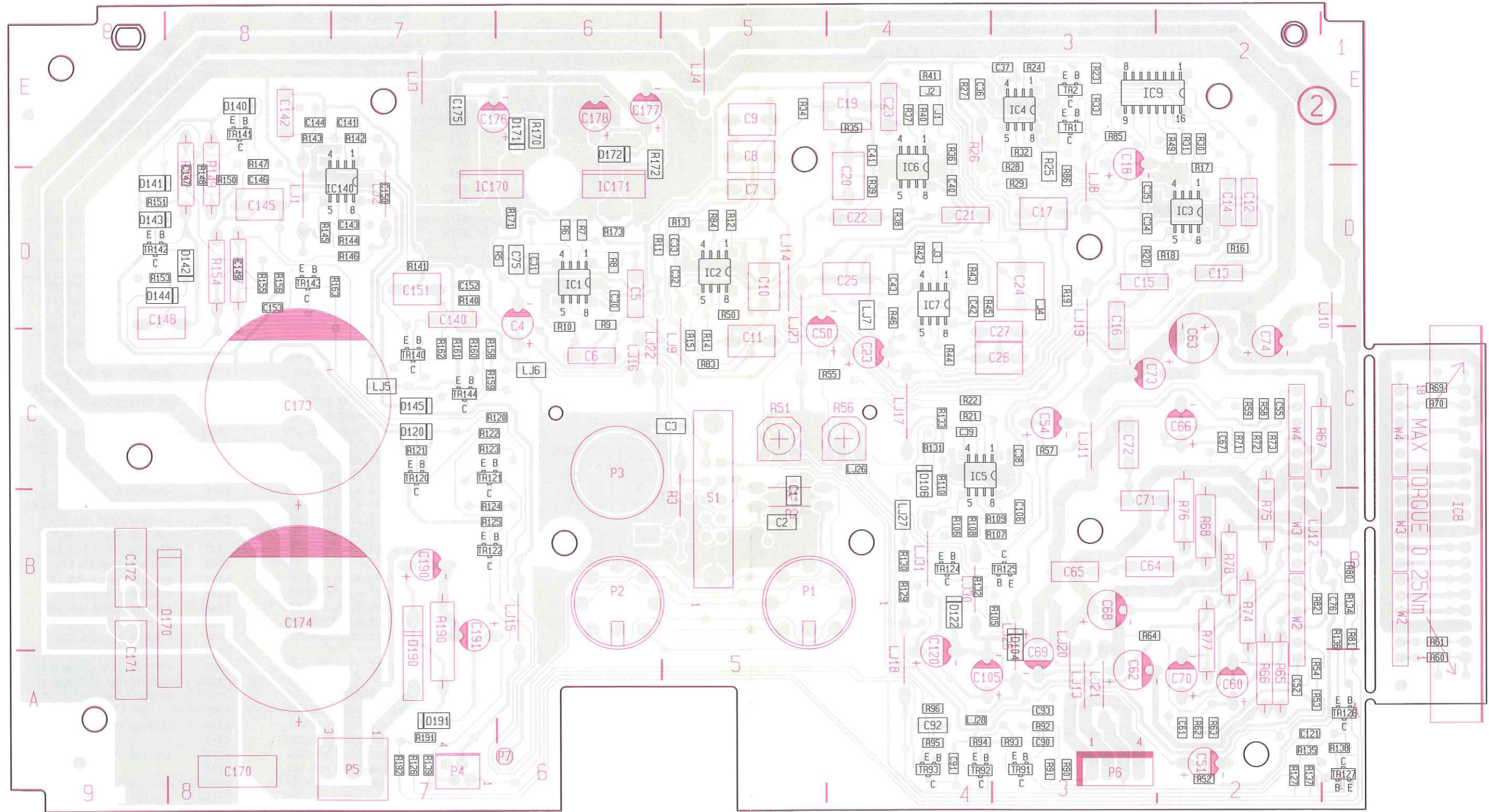


DIAGRAM B MAINS SWITCH & POWER SUPPLY AND OUTPUT AMPLIFIER

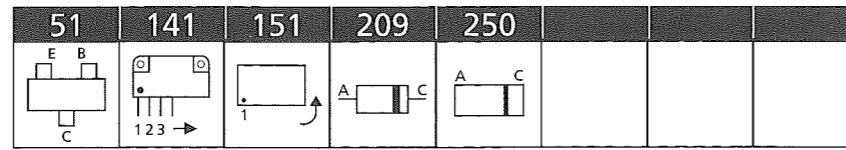




PCB 2, POWER SUPPLY AND OUTPUT AMPLIFIER AND CROSSOVER



LIST OF ELECTRICAL PARTS



Resistors not referred to are standard, see page x-xx  
 Δ Indicates that static electricity may destroy the component.  
 \* Specially selected or adapted sample.

PCB 1, 8006148  
 8006154 f. type 6639  
 Main switch

TR1	8320503	051	BC557B			
D1	8300466		B125C1500			
D2	8330401		BICOLOR			
D3-	8300058	250	1N4148			
D9						
C1-	4010403		10nF -20+80% 50V			
C2						
C3	4201264		100µF 20% 50V			
C4	4130070		1µF 10% 50V			
C5	4130230		100nF 20% 63V			
F1-	6600066		Fuse 2A 250V			
F2						
	6600081		Fuse T2.5A 125V f. type 6638			
F5	6600113		Fuse T63mA 250V			
	6600150		Fuse T63mA 125V f. type 6638			
S1	7450098		Switch 6A 250V			
T1	8013582		Trafo			
	8013595		Trafo f. type 6639			
RL1	7600106		Relay			
FH1-	7200064		Single cont			
FH8						
P1-	7220406		Plug, 2 pole			
P2						
P3-	7220185		Plug, 3 pole			
P4						
P5	7211053		Socket, 4 pole			
IC1-	8341022	151	4558	IC8Δ	8350089	141 Hybrid STK4152-2
IC3Δ				IC9Δ	8341411	151 LM13700
IC4Δ	8341033	151	LF353	IC140Δ	8341098	151 LM358
IC5-	8341022	151	4558	IC170Δ	8343080	151 LM317
IC7Δ				IC171Δ	8340547	151 LM337

PCB 2, 8006149  
 Power supply, crossover output  
 amplifier

TR1-	8320755	051	BC847B	TR122	8320755	051	BC847B
TR2				TR124	8320752	051	BC817-40
TR91-	8320755	051	BC847B	TR125	8321080	051	FMMT491ATA
TR92				TR126	8320755	051	BC847B
TR93	8320811	051	BC857B	TR127	8320811	051	BC857B
TR120	8320755	051	BC847B	TR140-	8320755	051	BC847B
TR121	8320811	051	BC857B	TR144			

D104	8300482	250	LL4148	D145	8300584		Z15.0V 5%
D106	8300482	250	LL4148	D170	8300938		GBU6D
D120	8300482	250	LL4148	D171-	8300584		Z15.0V 5%
D122	8300482	250	LL4148	D172			
D140-	8300482	250	LL4148	D190	8300023	209	1N4002
D144				D191	8300482	250	LL4148

R51	5370474		10kΩ 30% 0.3W
R56	5370474		10kΩ 30% 0.3W
R67	5020159		100Ω 10% 0.3W
R170	5011996		8.25kΩ 1% 1/8W
R171	5012230		1kΩ 1% 1/10W
R172	5011996		8.25kΩ 1% 1/8W
R173	5012230		1kΩ 1% 1/10W

C1-	4000345		1.0nF 5%	C67	4010263		2.2nF 10% 50V
C3				C68	4200688		47µF 20% 50V
C4	4200517		2.2µF 20% 50V	C69	4201173		10µF 20% 50V
C5-	4130306		100nF 10% 63V	C70	4201172		4.7µF 20% 50V
C6				C71-	4130308		220nF 10% 63V
C7	4130308		220nF 10% 63V	C72			
C8	4100237		2.2nF 5% 63V	C75	4000345		1.0nF 5% 50V
C11				C76	4010272		22nF -20+80% 50V
C12	4130304		22nF 10% 63V	C90-	4010314		220nF -20+80% 25V
C13	4130231		68nF 10% 63V	C91			
C14-	4130306		100nF 10% 63V	C92	4010176		10nF -20+80% 50V
C15				C93	4010314		220nF -20+80% 25V
C16	4130265		10nF 10% 63V	C105	4200824		22µF 20% 50V
C17	4130070		1µF 10% 50V	C106	4000409		56pF 5% 50V
C18	4200517		2.2µF 20% 50V	C120	4200824		22µF 20% 50V
C19	4100239		4.7nF 5% 63V	C121	4010314		220nF -20+80% 25V
C20	4100237		2.2nF 5% 63V	C140	4130304		22nF 10% 63V
C21	4130306		100nF 10% 63V	C141	4000409		56pF 5% 50V
C22-	4130303		15nF 10% 63V	C142	4130306		100nF 10% 63V
C23				C143	4000409		56pF 5% 50V
C24	4100239		4.7nF 5% 63V	C144	4010316		100nF 10% 25V
C25	4100237		2.2nF 5% 63V	C145	4130070		1µF 10% 50V
C26	4130234		470nF 10% 63V	C146-	4010316		100nF 10% 25V
C27	4130308		220nF 10% 63V	C147			
C30-	4010272		22nF -20+80% 50V	C148	4130070		1µF 10% 50V
C43				C149	4010316		100nF 10% 25V
C50-	4200517		2.2µF 20% 50V	C150	4010272		22nF -20+80% 50V
C51				C151	4130070		1µF 10% 50V
C52	4000423		820pF 10% 50V	C152-	4000409		56pF 5% 50V
C53	4200517		2.2µF 20% 50V	C153			
C54	4200525		22µF 20% 10V	C170-	4130103		100nF 20% 250V
C55	4010263		2.2nF 10% 50V	C172			
C60	4200517		2.2µF 20% 50V	C173-	4201139		3300µF 20% 50V
C61	4010263		2.2nF 10% 50V	C174			
C62	4200688		47µF 20% 50V	C175	4010166		100nF -20+80% 50V
C63	4201264		100µF 20% 50V	C176-	4201173		10µF 20% 50V
C64-	4130308		220nF 10% 63V	C178			
C65				C190	4201173		10µF 20% 50V
C66	4200525		22µF 20% 10V	C191	4200517		2.2µF 20% 50V

HS170	3358343		Heatsink
-------	---------	--	----------



---

S1 7400371 Switch

---

P1- 7210929 Socket, 8 pole

P2

P3 7211100 Socket, phono

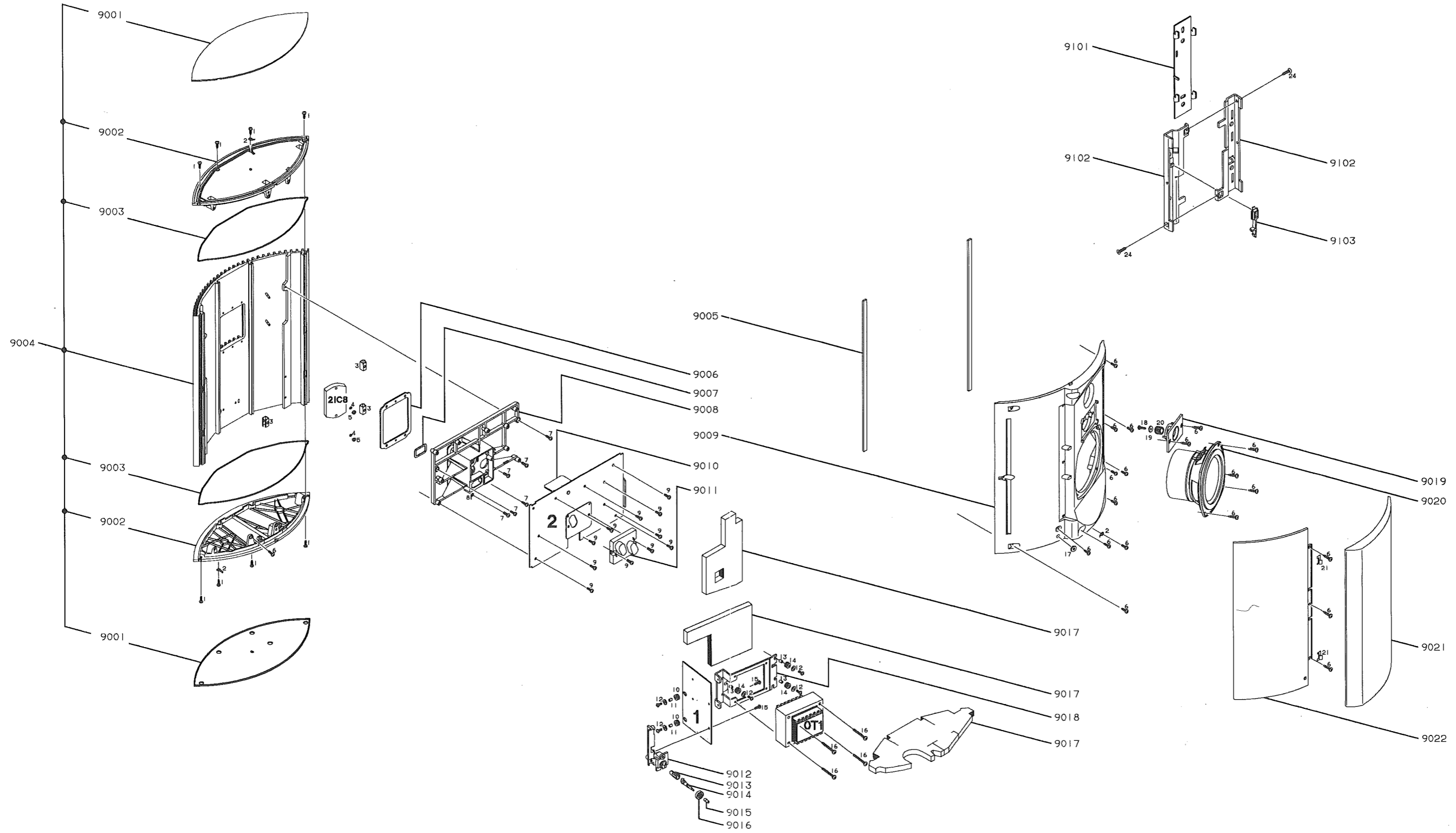
P4 7211053 Socket, 4 pole

P5 7220185 Plug, 3 pole

P6 7221211 Plug, 4 pole

---

EXPL. VIEW



**LIST OF MECHANICAL PARTS**

01 modul	8006148 Main switch		
	8006154 Main switch f. type 6639		
<hr/>			
02 modul	8006149 Power supply, crossover output amplifier		
2IC8	8350089 Hybrid		
	3340142 Gasket f. primary side		
	3340135 Gasket f. secondary side		
	3340143 Gasket f. capacitor		
<hr/>			
OT1	8013569 Trafo, 230 V, for type 6636, 3637		
	8013577 Trafo, 100 V, for type 6639		
	8013578 Trafo, 120 V, for type 6638		
	8013579 Trafo, 240 V, for type 6640		
<hr/>			
9001	3456225 Top/bottom, green	9013	2576328 Spacer
	3456226 Top/bottom, grey	9014	6150006 Optic
	3456227 Top/bottom, black	9015	2938320 Bushing
9002	3458958 Top/Bottom plate	9016	3340134 Gasket
9003	3340141 Gasket	9017	3332075 Foam
9004	3358351 Heat sink, green	9018	3151428 Holder
	3358352 Heat sink, grey	9019	8480243 Tweeter
	3358353 Heat sink, black	9020	8480261 Woofer
9005	3947350 Foam tape by the meter	9021	3320308 Cloth front, green
			3320309 Cloth front, grey
9006	3340136 Gasket		3320310 Cloth front, black
9007	3340090 Gasket	9022	2569485 Profil right, green
9008	3169199 Bracket		2569486 Profil right, grey
9009	3440182 Baffle, right		2569487 Profil right, black
	3440183 Baffle, left		2569490 Profil left, green
9010	3358343 Heat sink		2569491 Profil left, grey
9011	3160105 Cover		2569492 Profil left, black
9012	3151432 Holder		

**Survey of screws etc.**

1	2013177 Screw, 3.0 x 13	12	2058031 Screw w. washer
2	2816298 Solder spring	13	2576333 Spacer
3	2816214 Clips	14	2930143 Bushing
4	2624013 Spring washer	15	2015132 Screw, 3.5 x 10
5	2380011 Nut	16	2056002 Screw, 3.5 x 35
6	2015139 Screw, 3.5 x 16	17	3340137 Gasket
7	2039008 Screw, 3 x 6	18	2038103 Screw, 3 x 12
8	7530087 Solder tag	19	2622247 Washer, ø3.2 x 10.2 x 1
9	2013159 Screw, 3 x 14	20	3358305 Heat sink
10	2930130 Bushing	21	2816309 Clips
11	2576278 Spacer		

**Wall bracket**

9101	3031601 Bracket for wall
9102	3031620 Bracket for speaker
9103	2816297 Clips
<hr/>	
22	2042053 Screw, 4 x 16

**Parts not shown**

- 6277219 Wire bundle
- 6100245 Mains cable, type 6636
- 6100328 Mains cable, type 6637
- 6100306 Mains cable, type 6638
- 6100247 Mains cable, type 6639
- 6100248 Mains cable, type 6640
- 3392504 Outer carton
- 3397996 Foam packing

3538892 10-98

**Setting-up Guide**

- 3506217 Danish
- 3506218 Swedish
- 3506219 Finnish
- 3506220 English
- 3506221 German
- 3506222 Dutch
- 3506223 French
- 3506224 Italien
- 3506225 Spanish

**LIST OF MECHANICAL PARTS**

**New colours**

9001	3456228 Top/bottom, yellow
	3456217 Top/bottom, blue
	3456229 Top/bottom, red
<hr/>	
9021	3320311 Cloth front, yellow
	3320318 Cloth front, blue
	3320312 Cloth front, red
<hr/>	
9022	2569488 Profil right, yellow
	2569495 Profil right, blue
	2569489 Profil right, red
	2569493 Profil left, yellow
	2569496 Profil left, blue
	2569494 Profil left, red

**Parts not shown**

- 3103326 Rubber foot

**CORRECTIONS**

**PCB1, Main switch, page 10-1, 15-4**

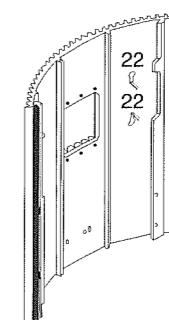
D2	8330236 BICOLOR
----	-----------------

**Survey of screws etc., page 11-2**

6	2015144 Screw, 3,5 x 12
12	2058034 Screw, 3 x 10
22	2058032 Screw, 3 x 16

**Wall bracket, page 11-2**

24	2042053 Screw, 4 x 16
----	-----------------------



**ADJUSTMENT****Adjustment of bass/treble levels**

When replacing a speaker unit these levels have to be adjusted. On the back of the new unit will be printed a rated value for the sensitivity of that particular unit. The rated value is stated in dB.

This value must be used in connection with the adjustment.

The speaker units need not be connected during the adjustment.

1. Connect an audio oscillator to either:
  - pin 5 (switch in position RIGHT) of the POWER LINK socket. +5V must be present at pin 4.
  - pin 3 (switch in position LEFT) of the POWER LINK socket. +5V must be present at pin 4.
  - the phono socket (switch in position PHONO).

**Signal levels**

When adjusting the tweeter a signal of 10kHz - 100mV must be applied.

When adjusting the woofer a signal of 1kHz - 100mV must be applied.

2. Connect an AC voltmeter across the connection terminals for the replaced unit.

Tweeter: P6-3 / P6-4

Woofer: P6-1 / P6-2

3. Adjust to the voltage corresponding to the rated value in dB according to table 1.

Adjust the treble level by means of 2R51 and the bass level by means of 2R56. These two resistors are accessible via two holes in the socket well, see fig. 1.

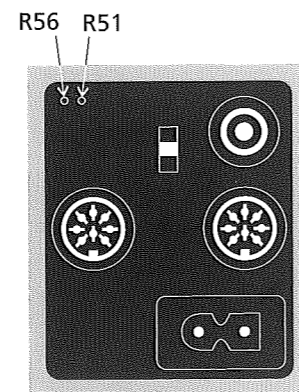


Fig. 1

Rated value in dB	Treble	Bass
2.00	1.96 V	1.79 V
1.75	2.02 V	1.84 V
1.50	2.08 V	1.89 V
1.25	2.14 V	1.95 V
1.00	2.20 V	2.00 V
0.75	2.26 V	2.06 V
0.50	2.33 V	2.12 V
0.25	2.40 V	2.18 V
0.00	2.47 V	2.25 V
-0.25	2.54 V	2.31 V
-0.50	2.61 V	2.38 V
-0.75	2.69 V	2.45 V
-1.00	2.77 V	2.52 V
-1.25	2.85 V	2.60 V
-1.50	2.93 V	2.67 V
-1.75	3.02 V	2.75 V
-2.00	3.11 V	2.83 V

Table 1

**Replacement of PCB2**

- Measure the resistors 2R51 and 2R56 in the "old" PCB.
- Adjust 2R51 and 2R56 in the "new" PCB to the same values as in the "old" PCB.

**REPAIR TIPS**

**If the stand-by indicator (red LED) will not go on, then:**

- check the mains switch.
- check the fuse on the stand-by transformer.
- check the supply to the LED via R1 and C4.

**If the speaker will not go ON (green LED) in power link mode, then:**

- check that the lead between P5 (PCB1) and P4 (PCB2) is installed.
- check that the DC error circuit (2TR92 and 2TR93) has not gone into a locked state due to the presence of DC at the output of the power amplifiers.
- check that 2TR120, 2TR121 and 2TR122 are all pulled on.

**If the speaker will not go ON (green LED) when the line input is used, then:**

- check the above for power link mode.
- check that the switch is in the correct position.
- check that the supply voltage +15 Vstby is on (2IC140-8); used in line mode only.
- check that approx. 7.5 VDC is present at 2IC140-3.
- check the AC signal at the input (2IC140-3) and at the output (2IC140-7). The circuit must start up for signals >100  $\mu$ VAC.
- check 2TR143.

Other: the circuit containing 2TR142 and C148 determines the time constant from the disappearance of the signal to the switching-off of the speaker - typically 100 seconds.

**Is the speaker ON (green LED) but not outputting any sound, then:**

- check that the switch is in the correct position.
- check the supplies plus and minus 12 VDC.
- check the signal path. Observe in particular whether the mute transistors are off.
- is there a signal input into the power amplifiers but not a signal output out of them, then check the supply voltages at pins 9, 11, 12 and 14 of the hybrid 2IC8.
- check the safety resistor 2R67.

**Test points**

A number of test points (A - M) are located on PCB2. The table below indicates what should be measured at the individual points.

The measuring conditions are as follows:

Stand-by: Mains: 230 V  
Signal: 0 V

On: Mains: 230 V  
Signal: Input level: 50 mV  
Frequency, bass: 100 Hz (output level approx. 1.6 V)  
Frequency, treble: 10 kHz (output level approx. 1.3 V)  
The speaker units need not be connected.

Reference: P7

Test point	Coordinate	Component	Test result, stand-by	Test result, on
A	C8	2C173 (+)	0 V	+33 VDC
B	B8	2C174 (-)	0 V	-33 VDC
C	D7	2IC170 (2)	0 V	+12 VDC
D	E6	2C178 (-)	0 V	-12 VDC
E	A7	P4-1	27.75 VDC	23.7 VDC
F	B7	2TR122-C	27.65 VDC	150 mVDC
G	C7	2TR144-E	0 V (phono plug/ line mode: 14.4 VDC)	0 V (phono plug/ line mode: 14.4 VDC)
H	D6	2C4	0 V	50 mVAC
I	C5	2C50	0 V	approx.75 mVAC /10 kHz*
J	C4	2C53	0 V	approx.107 mVAC /100 Hz*
K	D3	2C17	0 V	565 mVDC (ABL not active)
L	A2	2C51	0 V	approx.37 mVAC /10 kHz*
M	C3	2C54	0 V	approx.48 mVAC /100 Hz*

\*Depending on the adjustment of 2R51/2R56.

**Description of crossover network, including ABL:**

Common path.

2IC1 is an input buffer and high-pass filter. Centre frequency approx. 55 Hz.

Bass section.

The first half of 2IC3 is a band-bass filter with adjustable amplification. This, in conjunction with 2IC4 and 2IC9, constitutes the ABL concept. In the first half of 2IC4 the (bass) signal is rectified. The second half of 2IC4 determines the level (approx. 950 mVDC) at which the ABL shall step into operation. This level corresponds to 6-8 W (100 Hz) at the output of the power amplifier.

The adjustment is controlled by means of a current from 2IC9-9 to 2IC9-16. The voltage at 2IC9-9 is approx. -11 VDC when the ABL is not in operation. When the ABL steps into operation the voltage moves towards positive.

2IC3-2 cannot be measured, because it is virtual ground.

The second half of 2IC3 is a high-pass filter. The centre frequency is approx. 55 Hz.



2IC5 is a differential stage that compensates for the band-pass filter.  
2IC6 is an active suction circuit (gyrator coupling) that generates a dip at approx. 200 Hz.  
2IC7 is an active suction circuit (gyrator coupling) that generates a dip at approx. 700 Hz.

**Treble section.**

Two high-pass filters (Linkwitz-Riley configuration) have been built up around 2IC2.

The crossover frequency between bass and treble is approx. 3.3 kHz.

Please note that negative feedback and thus the amplification in the power amplifiers is frequency-dependent. 30 dB of raw amplification is generated up to approx. 80 kHz. After that point it increases to 40 dB.

**EINSTELLUNG****Einstellung der Tiefen/Höhen**

Beim Austausch einer Lautsprechereinheit ist der Pegel einzustellen. Jede neue Einheit besitzt auf der Rückseite einen aufgedruckten Wert für die Empfindlichkeit der jeweiligen Einheit (Wertangabe in dB).

Dieser Wert ist bei der Einstellung zu benutzen.

Es ist nicht notwendig, daß die Lautsprechereinheiten während des Einstellvorgangs angeschlossen sind.

1. Einen Tongenerator anschließen entweder an:
  - Anschluß 5 (Schalter in Stellung RIGHT) der 'POWER LINK'-Steckverbindung.  
Am Anschluß 4 muß eine Spannung von +5V anliegen.
  - Anschluß 3 (Schalter in Stellung LEFT) der 'POWER LINK'-Steckverbindung.  
Am Anschluß 4 muß eine Spannung von +5V anliegen.
  - Phonosteckverbindung (Schalter in Stellung PHONO).

**Signalpegel**

Beim Einstellen des Hochtonlautsprechers ist ein Signal von 10 kHz - 100 mV zuzuführen.

Beim Einstellen des Tieftonlautsprechers ist ein Signal von 1 kHz - 100 mV zuzuführen.

2. Ein AC-Voltmeter über die Anschlußklemmen für die ausgetauschte Einheit anschließen.

Höhen: P6-3 / P6-4  
Tiefen: P6-1 / P6-2

3. Es ist auf die Spannung einzustellen, die dem angegebenen Wert in dB gemäß Tabelle 1 entspricht.

Der Höhenpegel wird mit 2R51 eingestellt; der Tiefenpegel wird mit 2R56 eingestellt. Diese Widerstände sind durch 2 Löcher in der Steckermulde erreichbar, siehe Abb. 1.

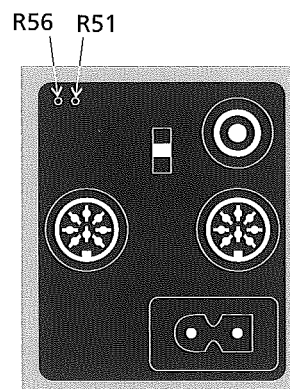


Abb. 1.

Wert in dB	Höhen	Tiefen
2,00	1,96 V	1,79 V
1,75	2,02 V	1,84 V
1,50	2,08 V	1,89 V
1,25	2,14 V	1,95 V
1,00	2,20 V	2,00 V
0,75	2,26 V	2,06 V
0,50	2,33 V	2,12 V
0,25	2,40 V	2,18 V
0,00	2,47 V	2,25 V
-0,25	2,54 V	2,31 V
-0,50	2,61 V	2,38 V
-0,75	2,69 V	2,45 V
-1,00	2,77 V	2,52 V
-1,25	2,85 V	2,60 V
-1,50	2,93 V	2,67 V
-1,75	3,02 V	2,75 V
-2,00	3,11 V	2,83 V

Tabelle 1

**Austausch von PCB 2**

- Die Widerstände 2R51 und 2R56 auf der "alten" Platine messen.
- 2R51 und 2R56 auf der "neuen" Platine auf die gleichen Werte wie die der "alten" Platine einstellen.

Referenz: P7

Testpunkt	Koordinate	Komponente	Testergebnis Standby	Testergebnis ON
A	C8	2C173 (+)	0 V	+33 VDC
B	B8	2C174 (-)	0 V	-33 VDC
C	D7	2IC170 (2)	0 V	+12 VDC
D	E6	2C178 (-)	0 V	-12 VDC
E	A7	P4-1	27,75 VDC	23,7 VDC
F	B7	2TR122-C	27,65 VDC	150m VDC
G	C7	2TR144-E	0 V (phono plug/ line mode: 14,4 VDC)	0 V (phono plug/ line mode: 14,4 VDC)
H	D6	2C4	0 V	50 mVAC
I	C5	2C50	0 V	approx.75 mVAC /10 kHz*
J	C4	2C53	0 V	approx.107 mVAC /100 Hz*
K	D3	2C17	0 V	565 mVDC (ABL nicht aktiv)
L	A2	2C51	0 V	approx.37 mVAC /10 kHz*
M	C3	2C54	0 V	approx.48 mVAC /100 Hz*

\* Hängt von der Einstellung der Widerstände 2R51/2R56 ab.

Referenz: P7

Testpunkt	Koordinate	Komponente	Testergebnis Standby	Testergebnis ON
A	C8	2C173 (+)	0 V	+33 VDC
B	B8	2C174 (-)	0 V	-33 VDC
C	D7	2IC170 (2)	0 V	+12 VDC
D	E6	2C178 (-)	0 V	-12 VDC
E	A7	P4-1	27,75 VDC	23,7 VDC
F	B7	2TR122-C	27,65 VDC	150m VDC
G	C7	2TR144-E	0 V (phono plug/ line mode: 14,4 VDC)	0 V (phono plug/ line mode: 14,4 VDC)
H	D6	2C4	0 V	50 mVAC
I	C5	2C50	0 V	approx.75 mVAC /10 kHz*
J	C4	2C53	0 V	approx.107 mVAC /100 Hz*
K	D3	2C17	0 V	565 mVDC (ABL nicht aktiv)
L	A2	2C51	0 V	approx.37 mVAC /10 kHz*
M	C3	2C54	0 V	approx.48 mVAC /100 Hz*

\* Hängt von der Einstellung der Widerstände 2R51/2R56 ab.

**Beschreibung der  
Frequenzweiche einschl. ABL:****Gemeinsamer Signalweg**

2IC1 bildet zugleich Eingangs-Puffer und Hochpaß. Mittenfrequenz ca. 55 Hz.

**Tieftonteil:**

Die erste Hälfte von 2IC3 ist ein Bandpaß mit regelbarer Verstärkung. Dies bildet zusammen mit 2IC4 und 2IC9 das adaptive Baß-Linearisierungs-Konzept (ABL).

In der ersten Hälfte von 2IC4 wird das (Tiefton-)Signal gleichgerichtet. In der zweiten Hälfte des 2IC4 wird der Pegel (ca. 950 mVDC) festgelegt, bei dem der ABL-Kreis in Funktion treten soll. Der Pegel entspricht 6-8 W (100 Hz) am Ausgang des Leistungsverstärkers.

Die Regelung wird mit einem Strom von 2IC9-9 zu 2IC9-16 gesteuert. Die Spannung am 2IC9-9 liegt bei ca. -11 VDC, wenn der ABL-Kreis nicht in Funktion ist. Wenn der ABL-Kreis aktiv wird, bewegt sich die Spannung gegen positiv.

Es kann am 2IC3-2 nicht gemessen werden, da es sich bei diesem Anschluß um 'Virtual Ground' handelt.

Die zweite Hälfte von 2IC3 ist ein Hochpaß. Mittenfrequenz ca. 55 Hz. 2IC5 ist eine Differenzstufe, die den Bandpaß kompensiert.

2IC6 ist ein aktiver Saugkreis (Gyrator-Schaltung), der bei ca. 200 Hz einen Abfall bewirkt.

2IC7 ist ein aktiver Saugkreis (Gyrator-Schaltung), der bei ca. 700 Hz einen Abfall bewirkt.

**Hochtonteil:**

Um 2IC2 sind zwei Hochpässe aufgebaut (Linkwitz-Riley-Konfiguration).

Die Übernahmefrequenz zwischen Tiefen und Höhen liegt bei ca. 3,3 kHz.

Es sei an dieser Stelle darauf hingewiesen, daß die Gegenkopplung und damit die Verstärkung in den Leistungsverstärkern frequenzabhängig sind. Es gibt 30 dB-Rohverstärkung bis ca. 80 kHz. Danach steigt sie auf 40 dB.



**REGLAGES****Réglage du niveau des graves et des aigus**

Il convient de régler ce niveau lors du remplacement d'une enceinte. Une valeur exprimée en dB et traduisant la sensibilité de l'enceinte est estampée sur la face arrière de la nouvelle enceinte.

Utiliser cette valeur pour procéder au réglage.

Il n'est pas nécessaire de raccorder les enceintes pour ce réglage.

**1) Raccorder un oscillateur BF à :**

- la borne 5 (sélecteur en position RIGHT) de la fiche POWER LINK (la borne 4 doit présenter une tension de +5V), à
- la borne 3 (sélecteur en position LEFT) de la fiche POWER LINK (la borne 4 doit présenter une tension de +5 V) ou à
- la prise phono (sélecteur en position PHONO).

**Niveau des signaux**

Appliquer un signal de 10 kHz - 100 mV pour régler le HP d'aigu.

Appliquer un signal d'1 kHz - 100 mV pour régler le HP de grave.

**2) Raccorder un voltmètre ca au bornier de la nouvelle enceinte.**

Aigus : P6-3 / P6-4

Graves : P6-1 / P6-2

**3) Régler pour obtenir la tension indiquée dans le tableau 1 en regard de la valeur exprimée en dB.**

Régler le niveau des aigus à l'aide de 2R51 et celui des graves avec 2R56. 2 orifices pratiqués dans le puits à fiches permettent d'y accéder. Voir fig. 1.

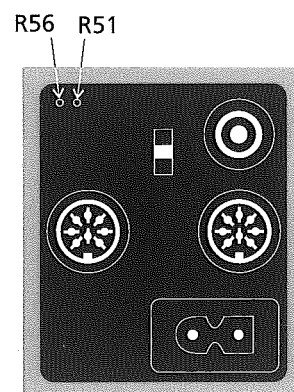


Fig. 1.

Valeur assignée en dB	Aigus	Graves
2,00	1,96 V	1,79 V
1,75	2,02 V	1,84 V
1,50	2,08 V	1,89 V
1,25	2,14 V	1,95 V
1,00	2,20 V	2,00 V
0,75	2,26 V	2,06 V
0,50	2,33 V	2,12 V
0,25	2,40 V	2,18 V
0,00	2,47 V	2,25 V
-0,25	2,54 V	2,31 V
-0,50	2,61 V	2,38 V
-0,75	2,69 V	2,45 V
-1,00	2,77 V	2,52 V
-1,25	2,85 V	2,60 V
-1,50	2,93 V	2,67 V
-1,75	3,02 V	2,75 V
-2,00	3,11 V	2,83 V

Tableau 1

- Remplacement de la carte PCB 2**
- Mesurer la résistance de 2R51 et de 2R56 sur l'ancienne carte.
  - Sur la nouvelle carte, régler 2R51 et 2R56 sur les valeurs précédemment mesurées.

**CONSEILS DE REPARATION****Refus d'allumage du voyant lumineux de veille (DEL rouge) :**

- Vérifier la position de l'interrupteur d'alimentation.
- Vérifier l'état du fusible du transformateur de veille.
- Contrôler l'alimentation de la DEL passant par R1 et C4.

**Refus de l'enceinte de se mettre en marche (ON) (DEL verte) en mode Power Link :**

- Vérifier que le fil reliant P5 (carte PCB 1) et P4 (carte PCB 2) est branché.
- Vérifier que le circuit détectant les anomalies de type cc (2TR92 et 2TR93) n'a pas commuté en position de verrouillage suite à la présence d'un courant continu à la sortie des amplificateurs de puissance.
- Vérifier que 2TR120, 2TR121 et 2TR122 sont tous à l'état passant.

**Refus de l'enceinte de se mettre en marche (ON) (DEL verte) en utilisant l'entrée de ligne :**

- Vérifier les points ci-dessus applicables au mode Power Link.
- Vérifier la position de l'interrupteur.
- Vérifier la présence de la tension d'alimentation +15 Vstby (2IC140-8). Cette alimentation n'est mise en oeuvre qu'en mode ligne.
- Vérifier la présence d'une tension continue de 7,5 Venv. à la borne 2IC140-3.
- Contrôler le signal ca à l'entrée (2IC140-3) et à la sortie (2IC140-7). Le circuit doit se déclencher en présence de signaux > 100 µVca.
- Vérifier 2TR143.

Divers : Le circuit construit autour de 2TR142 et C148 définit la constante de temps correspondant à la période qui s'écoule entre la disparition du signal et la coupure de l'enceinte (généralement, 100 secondes).

**Enceinte en marche (ON) (DEL verte) mais aucune restitution sonore :**

- Vérifier la position de l'interrupteur.
- Contrôler les alimentations + et - 12 Vcc.
- Contrôler la voie du signal. Vérifier notamment si les transistors de coupure du son sont à l'état bloqué.
- Si un signal entre dans les amplificateurs de puissance mais n'en ressort pas, contrôler les tensions d'alimentation aux bornes 9, 11, 12 et 14 du CI hybride 2IC8.
- Vérifier l'état de la résistance de protection 2R67.

**Points de mesure**

La carte PCB 2 présente plusieurs points de mesure (de A à M). Le synoptique ci-dessous permet de préciser les valeurs susceptibles d'être mesurées aux divers points.

Conditions de mesure :

Mode veille : Secteur : 230 V  
Signal : 0 V

Mode marche : Secteur : 230 V  
Signal : niveau d'entrée : 50 mV  
Fréquence, graves : 100 Hz (niveau de sortie: 1,6 V env.)  
Fréquence, aigus : 10 kHz (niveau de sortie 1,3 V env.)  
Le raccordement des enceintes n'est pas indispensable.

Référence : P7

Point de mesure	Coordonnées	Composant	Résultat de la mesure, mode veille	Résultat de la mesure, mode marche
A	C8	2C173 (+)	0 V	+33 Vcc
B	B8	2C174 (-)	0 V	-33 Vcc
C	D7	2IC170 (2)	0 V	+12 Vcc
D	E6	2C178 (-)	0 V	-12 Vcc
E	A7	P4-1	27,75 Vcc	23,7 Vcc
F	B7	2TR122-C	27,65 Vcc	150 mVcc
G	C7	2TR144-E	0 V (prise phono/ mode ligne : 14,4 Vcc)	0 V (prise phono/ mode ligne : 14,4 Vcc)
H	D6	2C4	0 V	50 mVca
I	C5	2C50	0 V	env. 75 mVca/ 10 kHz*
J	C4	2C53	0 V	env. 107 mVca/ 100 Hz*
K	D3	2C17	0 V	565 mVcc (ABL inactif)
L	A2	2C51	0 V	env. 37 mVca/ 10 kHz*
M	C3	2C54	0 V	env. 48 mVca/ 100 Hz*

\* Selon le réglage de 2R51/2R56.

**Description du filtre séparateur (fonction ABL comprise) :****Voie commune**

2IC1 constitue le tampon d'entrée et le filtre passe-haut. La fréquence centrale est calée sur 55 Hz env.

**Etage des graves**

La première moitié de 2IC3 est un filtre passe-bande au gain réglable. Associé à 2IC4 et 2IC9, l'ensemble forme l'ABL (linéarisation adaptative des graves).

Le signal (des graves) est redressé dans la première moitié de 2IC4. La seconde moitié de 2IC4 se charge de définir le niveau (950 mVcc env.) d'entrée en action de l'ABL. Ce niveau correspond à une valeur comprise entre 6 et 8 W (100 Hz) à la sortie de l'amplificateur de puissance.

La régulation est gérée par le courant allant de 2IC9-9 à 2IC9-16. La tension présente à la borne 2IC9-9 avoisine -11 Vcc quand l'ABL n'est pas en service. Cette tension évolue vers une valeur positive quand l'ABL entre en action.

Il est impossible de procéder à une mesure à la borne 2IC3-2 car il s'agit d'une terre virtuelle.

La seconde moitié de 2IC3 est un filtre passe-haut. La fréquence centrale est calée sur 55 Hz env.

2IC5 représente l'étage différentiel compensant le filtre passe-bande. 2IC6 est un circuit actif de filtrage (couplage d'un gyrateur) présentant un creux à 200 Hz env.

2IC7 est un circuit actif de filtrage (couplage d'un gyrateur) présentant un creux à 700 Hz env.

**Etage des aigus**

Deux filtres passe-haut (configuration de Linkwitz-Riley) s'articulent autour de 21C2.

La séparation des graves et des aigus s'effectue aux environs de 3,3 kHz. Noter que le circuit de contre-réaction, et par là même le gain des amplificateurs de puissance, est fonction de la fréquence. Le gain brut est de 30 dB jusqu'à 80 kHz env. Au-delà, il atteint 40 dB.

**REGOLAZIONI****Regolazione del livello dei bassi/alti**

Quando si sostituisce un diffusore, occorre eseguire la regolazione del livello dei bassi e degli alti.  
Sul lato posteriore del nuovo diffusore è stampigliato il valore nominale della sensibilità di quell'particolare unità.

Tale valore è espresso in dB e deve essere assunto come riferimento per l'esecuzione della regolazione.

I diffusori non devono essere collegati durante la procedura di regolazione.

1. Collegare un oscillatore acustico a:

- pin 5 (commutatore in posizione DESTRO (RIGHT)) della presa POWER LINK.  
Sul pin 4 deve essere presente una tensione di +5 V.
- pin 3 (commutatore in posizione SINISTRO (LEFT)) della presa POWER LINK.  
Sul pin 4 deve essere presente una tensione di +5 V.
- presa fono (interruttore in posizione PHONO).

**Livelli di segnale**

Quando si esegue la regolazione del tweeter, occorre applicare un segnale da 10 kHz - 100 mV.

Quando si esegue la regolazione del woofer, occorre applicare un segnale da 1 kHz - 100 mV.

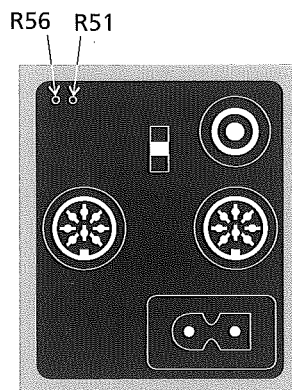
2. Collegare un voltmetro per c.a. fra i terminali di collegamento dell'unità da sostituire.

Tweeter: P6-3 / P6-4

Woofer: P6-1 / P6-2

3. Eseguire la regolazione alla tensione corrispondente al valore nominale in dB indicato nella tabella 1.

Regolare il livello degli alti mediante 2R51 ed il livello dei bassi mediante 2R56. Questi due resistori sono accessibili attraverso due fori che si trovano nel pozzetto della presa (vedi fig. 1).





Valore nominale in dB	Alti	Bassi
2,00	1,96 V	1,79 V
1,75	2,02 V	1,84 V
1,50	2,08 V	1,89 V
1,25	2,14 V	1,95 V
1,00	2,20 V	2,00 V
0,75	2,26 V	2,06 V
0,50	2,33 V	2,12 V
0,25	2,40 V	2,18 V
0,00	2,47 V	2,25 V
-0,25	2,54 V	2,31 V
-0,50	2,61 V	2,38 V
-0,75	2,69 V	2,45 V
-1,00	2,77 V	2,52 V
-1,25	2,85 V	2,60 V
-1,50	2,93 V	2,67 V
-1,75	3,02 V	2,75 V
-2,00	3,11 V	2,83 V

Tabella 1

**Sostituzione di PCB2**

- Eseguire una misurazione sui resistori 2R51 e 2R56 della "vecchia" PCB.
- Regolare 2R51 e 2R52 della "nuova" PCB agli stessi valori misurati sulla "vecchia" PCB.

**SUGGERIMENTI PER LE RIPARAZIONI****Se l'indicatore di stand-by (LED rosso) non si accende:**

- controllare l'interruttore di rete.
- controllare il fusibile sul trasformatore di stand-by.
- controllare l'alimentazione al LED attraverso R1 e C4.

**Se il diffusore non si accende (LED verde) in modo PowerLink:**

- verificare che il filo fra P5 (PCB1) e P4 (PCB2) sia installato.
- verificare che il circuito di errore c.c. (2TR92 e 2TR93) non sia entrato in uno stato di blocco dovuto alla presenza di c.c. all'uscita degli amplificatori di potenza.
- verificare che 2TR120, 2TR121 e 2TR122 siano attivi.

**Se il diffusore non si accende (LED verde) quando si utilizza l'ingresso di linea:**

- controllare se il diffusore si accende in modo Power Link.
- verificare che il commutatore sia nella posizione corretta.
- verificare che sia attiva la tensione di alimentazione di +15 Vstby (2IC140-8), utilizzata nel solo modo linea.
- verificare che su 2IC140-3 sia presente una tensione di ca. 7,5 V c.c..
- controllare il segnale di c.a. in ingresso (2IC140-3) e in uscita (2IC140-7). Il circuito deve attivarsi per segnali > 100  $\mu$ V c.a..
- controllare 2TR143.

Altro: il circuito contenente 2TR142 e C148 determina la costante temporale calcolata dalla sparizione del segnale al disinserimento del diffusore (normalmente 100 secondi).

**Il diffusore è acceso (LED verde) ma non emette suoni:**

- verificare che il commutatore sia nella posizione corretta.
- verificare le alimentazioni a più e meno 12 V c.c..
- controllare il percorso del segnale. In particolare, verificare che i transistor di silenziamento non siano attivi.
- se è presente il segnale in ingresso agli amplificatori di potenza ma non il segnale di uscita, controllare la tensione di alimentazione sui pin 9, 11, 12 e 14 dell'ibrido 2IC8.
- controllare il transistor di sicurezza 2R67.

**Punti di prova**

Sulla PCB2 si trova una serie di punti di prova (A - M). La tabella riportata di seguito indica i valori che dovrebbero essere rilevati in ogni punto. Le misurazioni devono essere eseguite nelle condizioni seguenti:

Stand-by: Rete: 230 V  
Segnale: 0 V

Acceso: Rete: 230 V  
Segnale: Livello d'ingresso: 50 mV  
Frequenza, bassi: 100 Hz (livello di uscita ca. 1,6 V)  
Frequenza, alti: 10 kHz (livello di uscita ca. 1,3 V)  
I diffusori non devono essere collegati.

Riferimento: P7

Punto di prova	Coordinata	Componente	Risultato della prova, stand-by	Risultato della prova, acceso
A	C8	2C173 (+)	0 V	+33 V c.c.
B	B8	2C174 (-)	0 V	-33 V c.c.
C	D7	2IC170 (2)	0 V	+12 V c.c.
D	E6	2C178 (-)	0 V	-12 V c.c.
E	A7	P4-1	27,75 V c.c.	23,7 V c.c.
F	B7	2TR122-C	27,65 V c.c.	150m V c.c.
G	C7	2TR144-E	0 V (modo linea/fono: 14,4 V c.c.)	0V (modo linea/fono: 14,4 V c.c.)
H	D6	2C4	0 V	50 mV c.a.
I	C5	2C50	0 V	ca. 75 mV c.a./ 10 kHz*
J	C4	2C53	0 V	ca. 107 mV c.a./ 100 Hz*
K	D3	2C17	0 V	565 mV c.c. (ABL non attivo)
L	A2	2C51	0 V	ca. 37 mV c.a./ 10 kHz*
M	C3	2C54	0 V	ca. 48 mV c.c./ 100 Hz*

\* a seconda della regolazione di 2R51/2R56

**Descrizione del circuito  
separatore di frequenza,  
compreso ABL**

Percorso comune.

2IC1 è un buffer di ingresso e un filtro passa-alto. La frequenza vettrice è ca. 55 Hz.

Sezione bassi.

La prima metà di 2IC3 è un filtro passa-banda con amplificazione regolabile. Insieme a 2IC4 e 2IC9, esso costituisce il sistema ABL. Nella prima metà di 2IC4 il segnale (bassi) viene raddrizzato. La seconda metà di 2IC4 determina il livello (ca. 950 mV c.c.) al quale l'ABL entra in funzione. Questo livello corrisponde a 6-8 W (100 Hz) all'uscita dell'amplificatore di potenza.

La regolazione viene controllata dalla corrente da 2IC9-9 a 2IC9-16. La corrente su 2IC9-9 è ca. -11 V c.c. quando l'ABL non è in funzione.

Quando l'ABL entra in funzione, la tensione si avvicina al segno positivo. 2IC3-2 non può essere misurato in quanto terra virtuale.

La seconda metà di 2IC3 è un filtro passa-alto. La frequenza vettrice è ca. 55 Hz.

2IC5 è uno stadio differenziale che compensa il filtro passa-banda.

2IC6 è un circuito di aspirazione attivo (accoppiamento del giratore) che genera una depressione a ca. 200 Hz.

2IC7 è un circuito di aspirazione attivo (accoppiamento del giratore) che genera una depressione a ca. 700 Hz.

Sezione alti.

Attorno a 2IC2 sono presenti due filtri passa-alto (configurazione Linkwitz-Riley).

La frequenza di transizione fra bassi e alti è ca. 3,3 kHz.

La retroazione negativa e quindi l'amplificazione degli amplificatori di potenza dipende dalla frequenza. Fino a 80 kHz vengono generati 30 dB di amplificazione.

Oltre questo livello, l'amplificazione aumenta a 40 dB.

**AJUSTE****Ajuste de los niveles de graves/  
agudos**

Al sustituir un altavoz, es necesario ajustar los niveles de graves y agudos. El valor nominal de la sensibilidad del altavoz se indica en decibelios (dB) en la parte posterior de cada altavoz.

Este es el valor que se utilizará para el ajuste.

Al efectuar el ajuste, no es necesario que los altavoces estén conectados.

**1. Conecte un oscilador de audio:**

- al pin 5 (conmutador en posición RIGHT (= derecha)) del conector POWER LINK.  
En el pin 4 tiene que existir una tensión de +5 V.
- o al pin 3 (conmutador en posición LEFT (= izquierda)) del conector POWER LINK.  
En el pin 4 tiene que existir una tensión de +5 V.
- o bien, al enchufe de fono (conmutador en posición PHONO)

**Niveles de señal**

Al ajustar el altavoz de agudos, deberá aplicarse una señal de 10 kHz - 100 mV.

Al ajustar el altavoz de graves, deberá aplicarse una señal de 1 kHz - 100 mV.

**2. Conecte un voltímetro de corriente alterna a los terminales de conexión del altavoz sustituido.**

Altavoz de agudos: P6-3 / P6-4

Altavoz de graves: P6-1 / P6-2

**3. Efectúe el ajuste a la tensión que corresponda al valor nominal en dB, de acuerdo con la tabla 1.**

Ajuste el nivel de agudos mediante 2R51 y el nivel de graves accionando 2R56. Estas dos resistencias son accesibles a través de dos orificios en la caja de conexiones, véase figura 1.

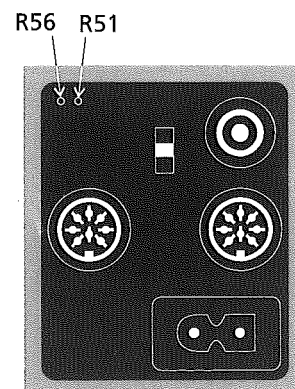


Figura 1.

Valor nominal en dB	Agudos	Graves
2,00	1,96 V	1,79 V
1,75	2,02 V	1,84 V
1,50	2,08 V	1,89 V
1,25	2,14 V	1,95 V
1,00	2,20 V	2,00 V
0,75	2,26 V	2,06 V
0,50	2,33 V	2,12 V
0,25	2,40 V	2,18 V
0,00	2,47 V	2,25 V
-0,25	2,54 V	2,31 V
-0,50	2,61 V	2,38 V
-0,75	2,69 V	2,45 V
-1,00	2,77 V	2,52 V
-1,25	2,85 V	2,60 V
-1,50	2,93 V	2,67 V
-1,75	3,02 V	2,75 V
-2,00	3,11 V	2,83 V

Tabla 1

**Sustitución de la PCB 2**

- Mida los valores en las resistencias 2R51 y 2R56 de la PCB "antigua".
- Ajuste las resistencias 2R51 y 2R52 de la "nueva" PCB a los valores medidos en la "antigua".

**CONSEJOS PARA REPARACION**

**Si no se enciende el indicador de stand-by (piloto rojo), haga lo siguiente:**

- Compruebe el interruptor de alimentación de la red.
- Compruebe el fusible del transformador stand-by.
- Compruebe la alimentación de corriente al diodo a través de R1 y C4.

**Si no se enciende (ON) el altavoz (piloto verde) en el modo Power Link, haga lo siguiente:**

- Compruebe si está instalado el cable entre P5 (PCB 1) y P4 (PCB2).
- Compruebe si el circuito de error de C.C. (2TR92 y 2TR93) ha pasado al estado de "bloqueado", debido a la presencia de corriente continua a la salida de los amplificadores de potencia.
- Compruebe si los transistores 2TR120, 2TR121 y 2TR122 están todos activados.

**Si no se activa (ON) el altavoz (piloto verde) al utilizar la entrada de línea, haga lo siguiente:**

- Haga las mismas comprobaciones que en el caso de "Power Link".
- Compruebe si el interruptor está en la posición correcta.
- Compruebe si está activada la tensión de alimentación de +15 Vstby (2IC140-8); se utiliza sólo en modo de línea.
- Compruebe la presencia en 2IC140-3 de una tensión de 7,5 V C.C. aprox.
- Compruebe la señal de corriente alterna a la entrada (2IC140-3) y a la salida (2IC140-7). El circuito deberá responder a señales > 100 µV C.A.
- Compruebe el 2TR143.

Otros: El circuito que contiene 2TR142 y C148 determina la constante de tiempo desde la desaparición de la señal hasta la desconexión del altavoz - normalmente 100 segundos.

**Si el altavoz está conectado (ON) (piloto verde), pero no emite ningún sonido, haga lo siguiente:**

- Compruebe si el interruptor está en la posición correcta.
- Compruebe las alimentaciones de  $\pm 12$  V c.c.
- Compruebe el trayecto de la señal, comprobando en particular si los transistores de silenciamiento están desactivados.
- Si la señal de entrada a los amplificadores de potencia está presente, pero no hay una señal de salida, compruebe las tensiones de alimentación en los pines 9, 11, 12 y 14 del circuito híbrido 2IC8.
- Compruebe la resistencia de seguridad 2R67.

**Puntos de medida**

En la PCB 2 hay una serie de puntos de medida (A - M). La tabla siguiente indica qué deberá medirse en cada uno de estos puntos.

Las condiciones de medición serán las siguientes:

Stand-by: Alimentación de la red: 230 V  
Señal: 0 V

Encendido: Alimentación de la red: 230 V  
Señal: Nivel de entrada: 50 V  
Frecuencia, graves: 100 Hz (nivel de salida 1,6 V aprox.)  
Frecuencia, agudos: 10 Hz (nivel de salida 1,3 V aprox.)  
No es necesario que los altavoces estén conectados.

Referencia: P7

Punto de medida	Coordenada	Componente	Resultado del test, stand-by	Resultado del test, encendido
A	C8	2C173 (+)	0 V	+33 V C.C.
B	B8	2C174 (-)	0 V	-33 V C.C.
C	D7	2IC170 (2)	0 V	+12 V C.C.
D	E6	2C178 (-)	0 V	-12 V C.C.
E	A7	P4-1	27,75 V C.C.	23,7 V C.C.
F	B7	2TR122-C	27,65 V C.C.	150 mV C.C.
G	C7	2TR144-E	0 V (clavija fono/ modo línea: 14,4 V C.C.)	0 V (clavija fono/ modo línea: 14,4 V C.C.)
H	D6	2C4	0 V	50 mV C.C.
I	C5	2C50	0 V	75 mV C.C./ 10kHz aprox.*
J	C4	2C53	0 V	107 mV C.C./ 100 Hz aprox.*
K	D3	2C17	0 V	565 mV C.C. (ABL inactivo)
L	A2	2C51	0 V	37 mV C.C./ 10kHz aprox.*
M	C3	2C54	0 V	48 mV C.C./ 100Hz aprox.*

\*En función de los ajustes efectuados en las resistencias 2R51/2R56.

**Descripción de la red de enlace, incluido ABL:****Trayecto común:**

2IC1 es un buffer de entrada y filtro de paso alto. Frecuencia central 55 Hz aprox.

**Sección de graves:**

La primera mitad del circuito 2IC3 es un filtro de paso de banda con amplificación ajustable. Junto con 2IC4 y 2IC9, constituye el concepto ABL.

En la primera mitad del 2IC4 se rectifica la señal (de graves). La segunda mitad del 2IC4 determina el nivel (950 mV C.C. aprox.) al que el ABL ha de entrar en funcionamiento. Este nivel corresponde a 6-8 W (100 Hz) a la salida del amplificador de potencia.

El ajuste se controla por medio de una corriente entre 2IC9-9 y 2IC9-16. Cuando el ABL no está funcionando, la tensión en 2IC9-9 es de unos -11 V C.C. Cuando el ABL entra en funcionamiento, la tensión pasa a ser de signo positivo.

No es posible medir el 2IC3-2, porque se trata de masa virtual.

La segunda mitad del 2IC3 es un filtro de paso alto, con una frecuencia central de unos 55 Hz.

El 2IC5 es una etapa diferencial que compensa el filtro de paso de banda.

El 2IC6 es un circuito de absorción activo (acoplamiento giratorio) que genera una caída a 200 Hz aprox.

El 2IC7 es un circuito de absorción activo (acoplamiento giratorio) que genera una caída a 700 Hz aprox.



**Sección de agudos:**

Alrededor del 21C2 se han creado dos filtros de paso alto (configuración Linkwitz-Riley).

La frecuencia de cruce entre graves y agudos es de unos 3,3 kHz.

Tenga en cuenta que la realimentación negativa, y por tanto la amplificación en los amplificadores de potencia, depende de la frecuencia. Hasta los 80 kHz aprox. se genera una amplificación sin tratamiento de 30 dB. Por encima de dicha frecuencia, la amplificación aumenta a 40 dB.

DISMANTLING

ZERLEGUNG

DESASSEMBLAGE

SMONTAGGIO

DESMONTAJE

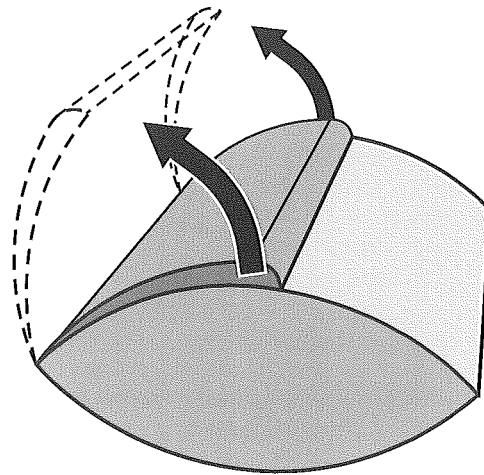


Fig. 1.

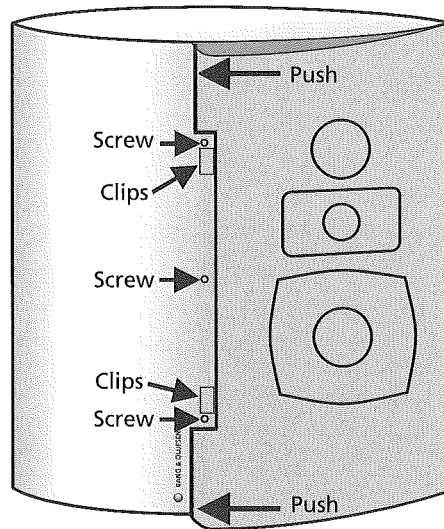


Fig. 2.

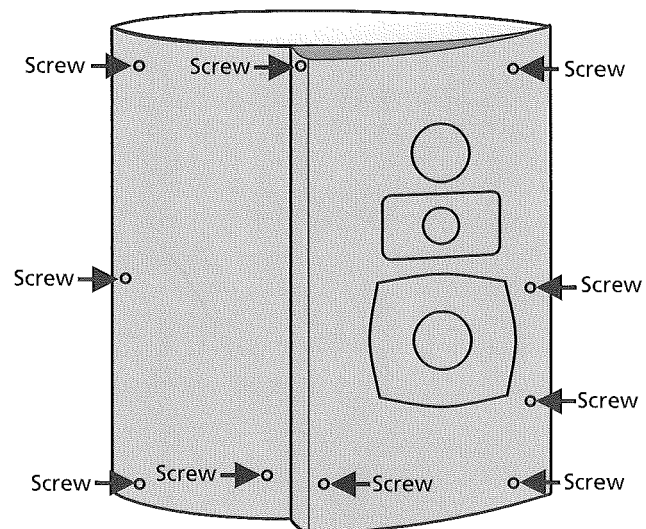
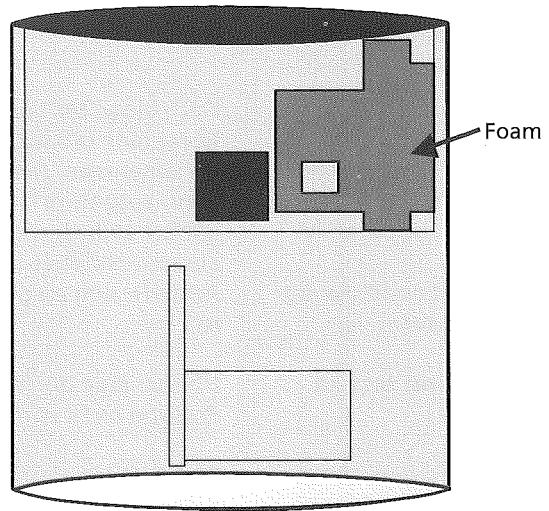
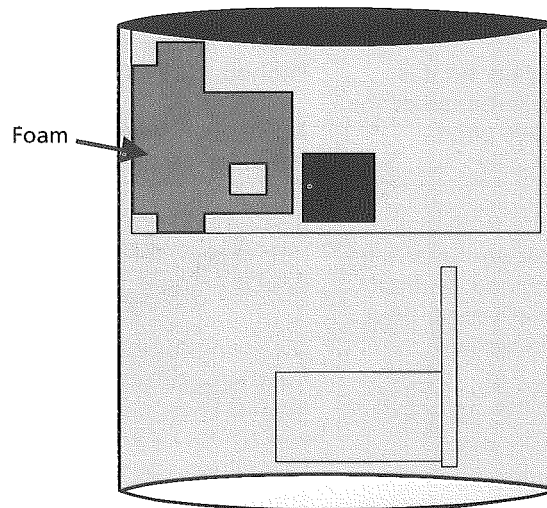


Fig. 3.



*Right speaker*



*Left speaker*

*Fig. 4.*

**INSULATION TEST**

Each set must be insulation tested after having been dismantled. Make the test when the set has been reassembled and is ready to be returned to the customer.

*Flashovers must not occur during the testing procedure!*

**Make the insulation test as follows:**

Short-circuit the two pins of the mains plug and connect them to one of the terminals of the insulation tester. Connect the other terminal of the insulation tester to ground in the Phono socket (LINE IN).

**NOTE!**

To avoid damaging the set it is essential that both terminals of the insulation tester have good contact.

Slowly turn the voltage control of the insulation tester until a voltage of 1.1-1.3 kV is obtained. Maintain that voltage for one second, then slowly turn it down again.

During the testing the current must not exceed 10 mA.

**ISOLATIONSPRÜFUNG**

Nach einer Zerlegung ist bei jedem Gerät eine Isolationsprüfung vorzunehmen. Die Prüfung wird dann ausgeführt, wenn das Gerät wieder vollständig zusammengebaut und zur Auslieferung an den Kunden bereit ist.

*Überschläge dürfen während der Prüfung nicht vorkommen!*

**Die Isolationsprüfung in folgender Weise durchführen:**

Die beiden Steckerstifte am Netzstecker kurzschließen und an eine der Anschlußklemmen des Isolationsprüfers anschließen. Die andere Anschlussklemme des Isolationsprüfers an die Masse der Phonobuchse (LINE IN) anschließen.

**ACHTUNG!**

Um Beschädigungen des Gerätes zu vermeiden, ist es wichtig, daß beide Anschlußklemmen des Isolationsprüfers einen sehr guten Kontakt haben.

Die Spannungsregelung des Isolationsprüfers langsam nach oben drehen, bis eine Spannung von 1,1-1,3 kV erreicht wird. Diese Einstellung 1 Sekund aufrechterhalten, und anschließend die Spannung wieder langsam nach unten drehen.

Der Strom darf während der Prüfung nicht 10 mA übersteigen.

**TEST D'ISOLEMENT**

Il convient de soumettre l'appareil à un test d'isolement après l'avoir désassemblé. Ce test est effectué après avoir réassemblé l'appareil et avant de la remettre au client.

*Aucun amorçage doit se produire lors du test!*

**Procéder au test d'isolement comme suit:**

Court-circuiter les deux broches de la fiche secteur et les raccorder à une des bornes du testeur d'isolement. Raccorder l'autre borne à la broche de la douille phono (LINE IN).

**ATTENTION**

Pour éviter d'endommager l'appareil, il est important que les deux bornes du testeur d'isolement possèdent un bon contact.

Tourner lentement la tension sur le testeur d'isolement jusqu'à arriver à 1,1-1,3 kV.

Maintenir cette tension pour 1 seconde, puis la diminuer lentement de nouveau.

Pendant le test le courant ne faut pas excéder 10 mA.

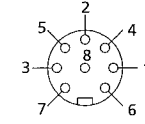
**BeoLab 4000** New version  
and Corrections  
From serial no.: 12893602

SERVICE MANUAL

TECHNICAL SPECIFICATIONS, corrections

Connections:

Power Link



2x8 pin socket

- Pin 1 Power up/down (grey) (on>2.5 V)
- Pin 2 GND (shield)
- Pin 3 Left in, signal (brown) (0 to 2 V<sub>RMS</sub>)
- Pin 4 Speaker on/off (yellow) (ON>2.5 V)
- Pin 5 Right in, signal (green) (0 to 2 V<sub>RMS</sub>)
- Pin 6 Datalink (white) (High>4 V, Low<0.2 V)
- Pin 7 Datalink GND (shield)
- Pin 8 Not used (pink)

RCA phono socket



- Signal (0 to 2 V<sub>RMS</sub>)
- Speaker on/off > 0.1 mV/1 kHz

DIAGRAM A INPUT AND CROSSOVER, FROM SERIAL NO. 12893602

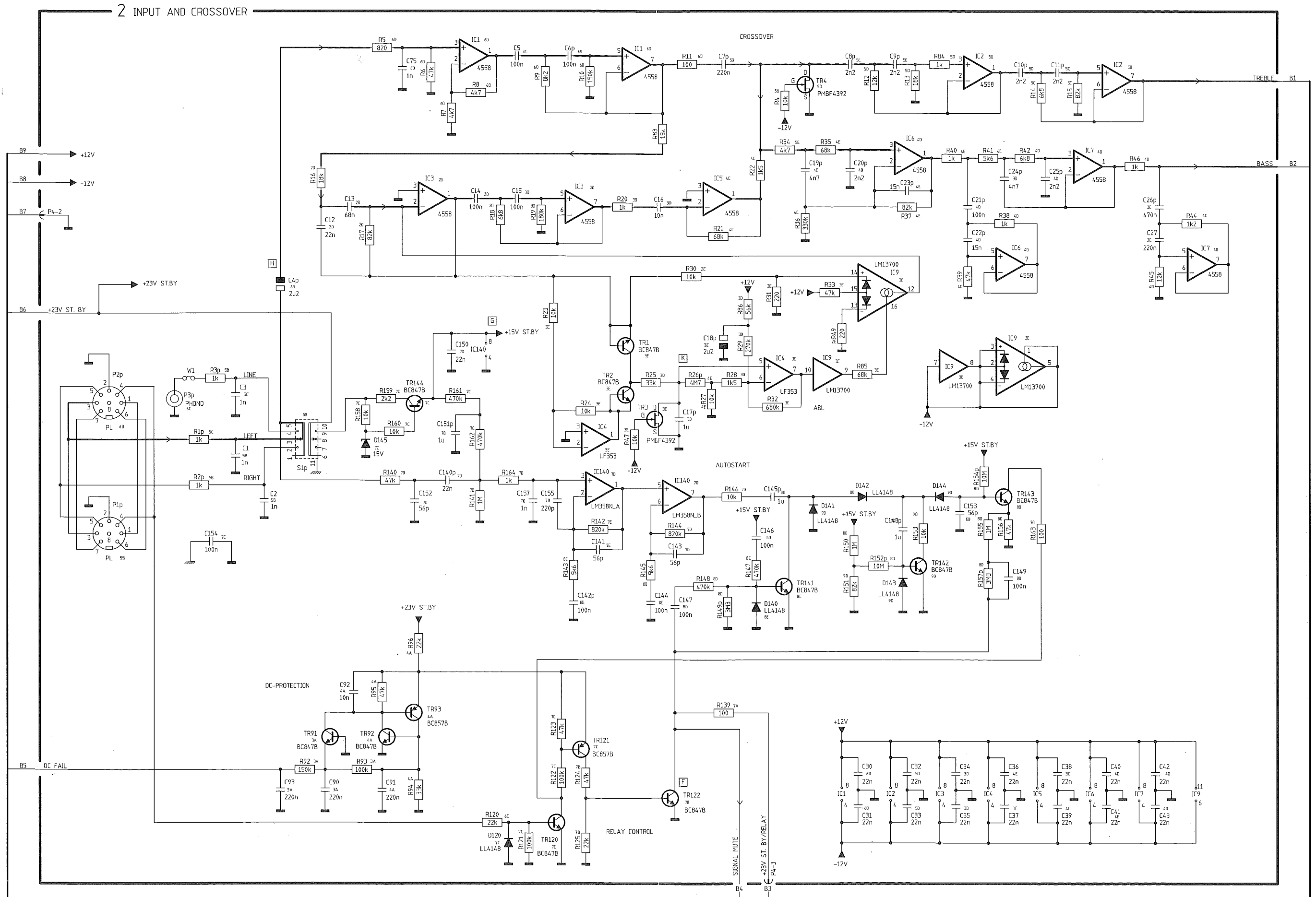
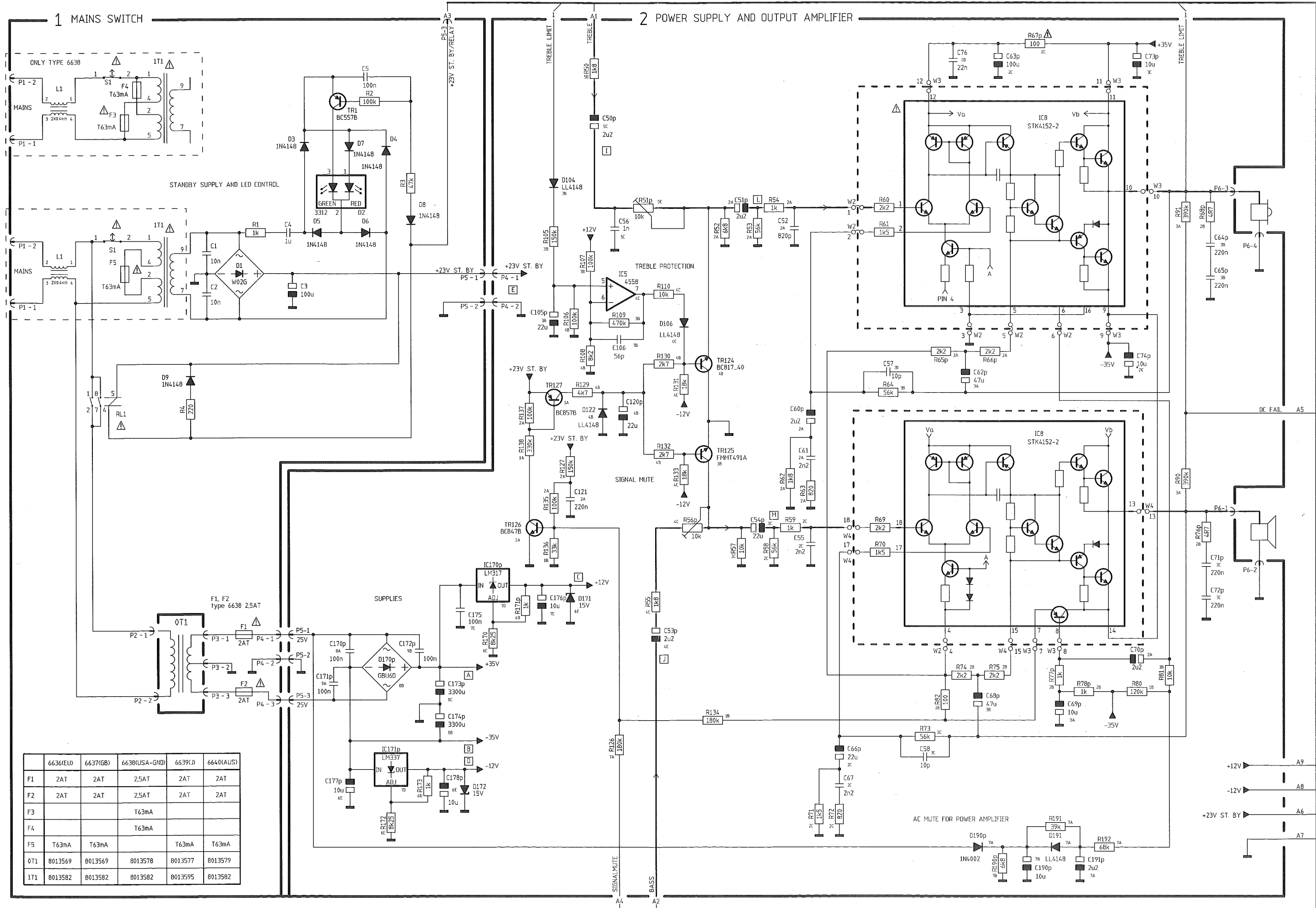
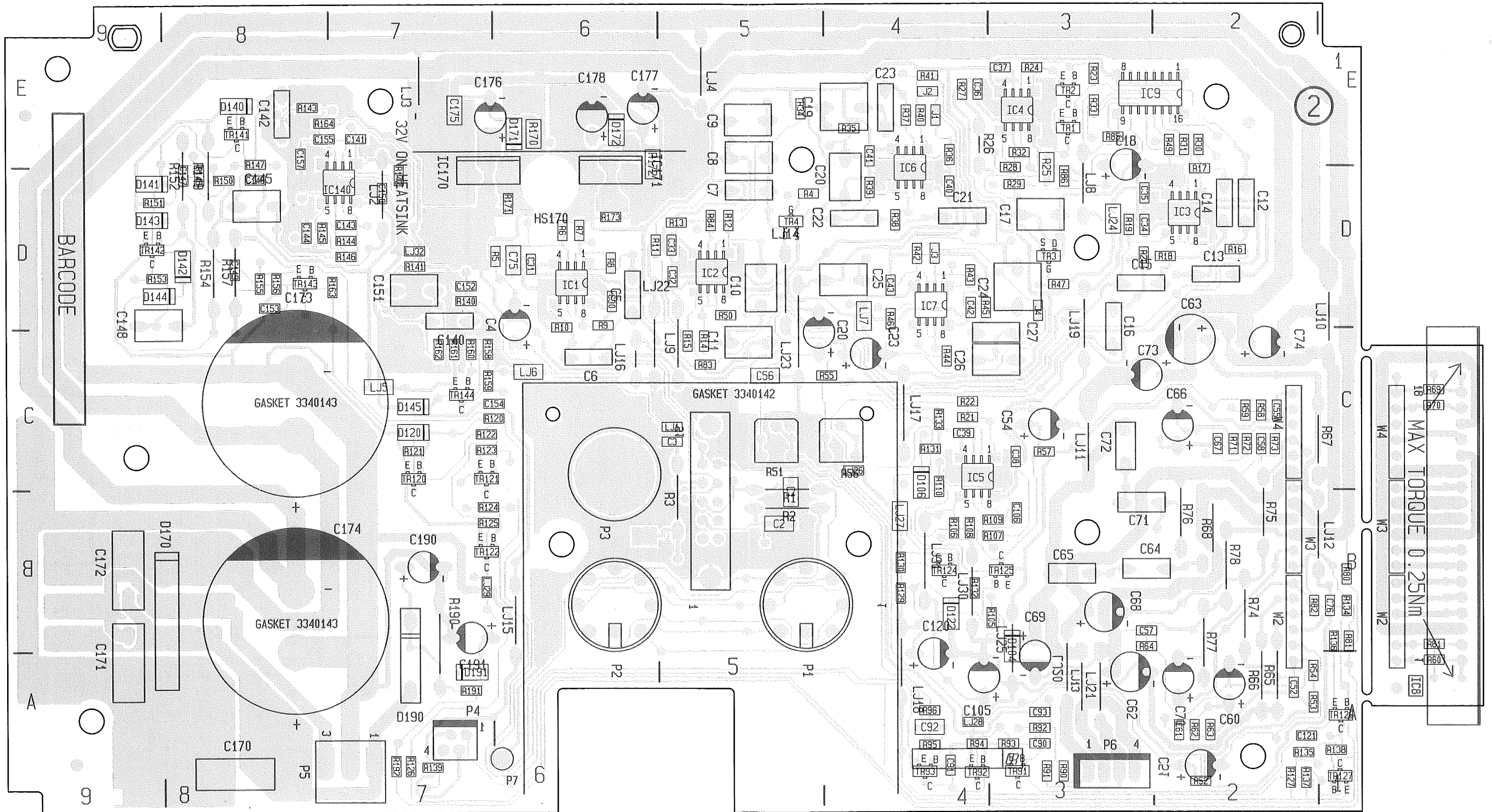


DIAGRAM B MAINS SWITCH & POWER SUPPLY AND OUTPUT AMPLIFIER, FROM SERIAL NO. 12893602



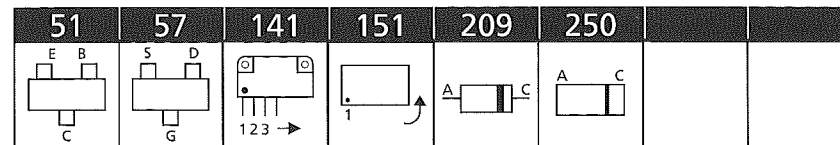
	6636(EU)	6637(GB)	6638(USA-GND)	6639(D)	6640(AUS)
F1	2AT	2AT	2.5AT	2AT	2AT
F2	2AT	2AT	2.5AT	2AT	2AT
F3			T63mA		
F4			T63mA		
F5	T63mA	T63mA		T63mA	T63mA
OT1	8013569	8013569	8013578	8013577	8013579
1T1	8013582	8013582	8013582	8013595	8013582

PCB 2, POWER SUPPLY & OUTPUT AMPLIFIER AND CROSSOVER, from serial no. 12893602





LIST OF ELECTRICAL PARTS



Resistors not referred to are standard, see page 3-4 and 15-5  
 Δ Indicates that static electricity may destroy the component.  
 \* Specially selected or adapted sample.

PCB 1, 8006148  
 8006154 f. type 6639  
 Main switch

TR1	8320503	051	BC557B
D1	8300466		B125C1500
D2	8330401		BICOLOR
D3-	8300058	250	1N4148
D9			
C1-	4010403		10nF -20+80% 50V
C2			
C3	4201264		100μF 20% 50V
C4	4130070		1μF 10% 50V
C5	4130230		100nF 20% 63V
F1-	6600066		Fuse 2A 250V
F2	6600081		Fuse T2.5A 125V f. type 6638
F3-	6600150		Fuse T63mA 125V
F4			f. type 6638
F5	6600113		Fuse T63mA 250V
S1	7450098		Switch 6A 250V
L1	8022295		Coil, mains filter, 2x0.4 mH
T1	8013582		Trafo
	8013595		Trafo f. type 6639
RL1	7600106		Relay
FH1-	7200064		Single cont
FH8			
P1-	7220406		Plug, 2 pole
P2			
P3-	7220185		Plug, 3 pole
P4			
P5	7211053		Socket, 4 pole

PCB 2, 8006149  
 Power supply, crossover output amplifier

IC1-	8341022	151	4558	IC8Δ	8350089	141	Hybrid STK4152-2
IC3Δ				IC9Δ	8341411	151	LM13700
IC4Δ	8341033	151	LF353	IC140Δ	8341098	151	LM358
IC5-	8341022	151	4558	IC170Δ	8343080	151	LM317
IC7Δ				IC171Δ	8340547	151	LM337

TR1-	8320755	051	BC847B	TR121	8320811	051	BC857B
TR2				TR122	8320755	051	BC847B
TR3-	8320758	057	PMBF4392	TR124	8320752	051	BC817-40
TR4				TR125	8321080	051	FMMT491ATA
TR91-	8320755	051	BC847B	TR126	8320755	051	BC847B
TR92				TR127	8320811	051	BC857B
TR93	8320811	051	BC857B	TR141-	8320755	051	BC847B
TR120	8320755	051	BC847B	TR144			

D104	8300482	250	LL4148	D145	8300584		Z15.0V 5%
D106	8300482	250	LL4148	D170	8300938		GBU6D
D120	8300482	250	LL4148	D171-	8300584		Z15.0V 5%
D122	8300482	250	LL4148	D172			
D140-	8300482	250	LL4148	D190	8300023	209	1N4002
D144				D191	8300482	250	LL4148

R51	5370474		10kΩ 30% 0.3W
R56	5370474		10kΩ 30% 0.3W
R67	5020159		100Ω 10% 0.3W
R170	5011996		8.25kΩ 1% 1/8W
R171	5012230		1kΩ 1% 1/10W
R172	5011996		8.25kΩ 1% 1/8W
R173	5012230		1kΩ 1% 1/10W

C1-	4000345		1.0nF 5% 50V	C66	4200525		22μF 20% 10V
C2				C67	4010263		2.2nF 10% 50V
C3	4010237		1nF 10% 50V	C68	4200688		47μF 20% 50V
C4	4200517		2.2μF 20% 50V	C69	4201173		10μF 20% 50V
C5-	4130306		100nF 10% 63V	C70	4200517		2.2μF 20% 50V
C6				C71-	4130308		220nF 10% 63V
C7	4130308		220nF 10% 63V	C72			
C8-	4100237		2.2nF 5% 63V	C75	4000345		1.0nF 5% 50V
C11				C76	4010272		22nF -20+80% 50V
C12	4130304		22nF 10% 63V	C90-	4010314		220nF -20+80% 25V
C13	4130231		68nF 10% 63V	C91			
C14-	4130306		100nF 10% 63V	C92	4010176		10nF -20+80% 50V
C15				C93	4010314		220nF -20+80% 25V
C16	4130265		10nF 10% 63V	C105	4200824		22μF 20% 50V
C17	4130070		1μF 10% 50V	C106	4000409		56pF 5% 50V
C18	4200517		2.2μF 20% 50V	C120	4200824		22μF 20% 50V
C19	4100239		4.7nF 5% 63V	C121	4010314		220nF -20+80% 25V
C20	4100237		2.2nF 5% 63V	C140	4130304		22nF 10% 63V
C21	4130306		100nF 10% 63V	C141	4000409		56pF 5% 50V
C22-	4130303		15nF 10% 63V	C142	4130306		100nF 10% 63V
C23				C143	4000409		56pF 5% 50V
C24	4100239		4.7nF 5% 63V	C144	4010316		100nF 10% 25V
C25	4100237		2.2nF 5% 63V	C145	4130070		1μF 10% 50V
C26	4130234		470nF 10% 63V	C146-	4010316		100nF 10% 25V
C27	4130308		220nF 10% 63V	C147			
C30-	4010272		22nF -20+80% 50V	C148	4130070		1μF 10% 50V
C43				C149	4010316		100nF 10% 25V
C50-	4200517		2.2μF 20% 50V	C150	4010272		22nF -20+80% 50V
C51				C151	4130070		1μF 10% 50V
C52	4000423		820pF 10% 50V	C152-	4000409		56pF 5% 50V
C53	4200517		2.2μF 20% 50V	C153			
C54	4200525		22μF 20% 10V	C154	4010274		100nF -20+80% 25V
C55	4010263		2.2nF 10% 50V	C155	4000416		220pF 5% 50V
C56	4000345		1nF 5% 50V	C157	4010237		1nF 10% 50V
C57-	4000400		10pF 5% 50V	C170-	4130103		100nF 20% 250V
C58				C172			
C60	4200517		2.2μF 20% 50V	C173-	4201139		3300μF 20% 50V
C61	4010263		2.2nF 10% 50V	C174			
C62	4200688		47μF 20% 50V	C175	4010166		100nF -20+80% 50V
C63	4201264		100μF 20% 50V	C176-	4201173		10μF 20% 50V
C64-	4130308		220nF 10% 63V	C178			
C65							

C190 4201173 10 $\mu$ F 20% 50V  
C191 4200517 2.2 $\mu$ F 20% 50V

HS170 3358343 Heatsink f. IC170 and IC171  
2816195 Clips f. IC

S1 7400371 Switch

P1- 7210929 Socket, 8 pole  
P2 2011023 Screw f. socket, 2.2 x 6.5 mm  
P3 7211100 Socket, phono  
2625046 Washer f. socket, 10.3 x 6.5 x 0.5 mm  
P4 6277275 Cable, 4 pole  
P5 7220185 Plug, 3 pole  
P6 7221211 Plug, 4 pole

**List of mechanical parts**

OT1 8013569 Trafo, 230 V f. type 6636, 6637  
8013577 Trafo, 100 V f. type 6639  
8013578 Trafo, 120 V f. type 6638  
8013579 Trafo, 240 V f. type 6640

**Survey of screws**

21 2058032 Screw 3 x 16 mm. f. mounting of 2IC8  
2816309 Clips (new type from s/n 12825802)

**Corrections****PCB 1, page 10-1**

L1 8022295 Coil mains filter, 2 x 0.4 mH New

**PCB 2, page 10-1**

TR3- 8320758 **057** PMBF4392 New  
TR4  
TR140 8320755 **051** BC847B Removed

R4 5011956 10k $\Omega$  5% 1/10W New  
R47 5011956 10k $\Omega$  5% 1/10W New  
R164 5011944 1k $\Omega$  5% 1/10W New

C3 4010237 1nF 10% 50V Changed  
C56 4000345 1nF 5% 50V New  
C57- 4000400 10pF 5% 50V New  
C58  
C70 4200517 2.2 $\mu$ F 20% 50V Changed  
C154 4010274 100nF -20+80% 25V New  
C155 4000416 220pF 5% 50V New  
C157 4010237 1nF 10% 50V New

P4 6277275 Cable, 4 pole Changed

**Mechanical parts, page 11-2****Wall bracket**

24 2042053 Screw, 4 x 16 mm.

**Resistors SMD 5% 1/10W**

Glue dots, approx. 200, part no. 3181932

	x1	x10	x100	x1k	x10k	x100k	x1M	x10M
0.0	6000072							
1.0		5011920	5011932	5011944	5011956	5011968	5011980	5012275
1.2	5012326	5011921	5011933	5011945	5011957	5011969	5012267	
1.5	5012379	5011922	5011934	5011946	5011958	5011970	5012268	
1.8	5012380	5011923	5011935	5011947	5011959	5011971	5011989	
2.2		5011924	5011936	5011948	5011960	5011972	5012220	
2.7		5011925	5011937	5011949	5011961	5011973	5012269	
3.3		5011926	5011938	5011950	5011962	5011974	5012261	
3.9		5011927	5011939	5011951	5011963	5011975	5012270	
4.7		5011928	5011940	5011952	5011964	5011976	5012271	
5.6		5011929	5011941	5011953	5011965	5011977	5012272	
6.8		5011930	5011942	5011954	5011966	5011978	5012273	
8.2		5011931	5011943	5011955	5011967	5011979	5012274	

Bang & Olufsen  
DK-7600 Struer  
Denmark

Phone +45 96 84 11 22\*  
Fax +45 97 85 39 11

12-97