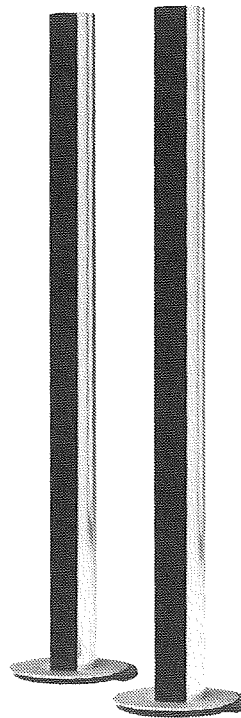


# Bang & Olufsen

## Beolab 6000

Type 6821, 6822, 6823  
6824, 6825



## Circuit Description

3540160 Danish  
3540161 English  
3540162 German  
3540163 French



## CONTENTS

Technical specifications .....	1-1
Transformer Wiring .....	1-2
<b>Diagrams etc. ....</b>	<b>2</b>
Explanation of diagram .....	2-1
Diagrams .....	2-2 – 2-3
Block diagram .....	2-4
<b>List of electrical parts .....</b>	<b>3</b>
<b>List of mechanical parts .....</b>	<b>4</b>
<b>Adjustments and repair tips .....</b>	<b>5-1</b>
Adjustments, English .....	5-1
Repair tips, English .....	5-3
Adjustments, German .....	5-5
Repair tips, German .....	5-7
Adjustments, French .....	5-9
Repair tips, French .....	5-11
<b>Disassembly .....</b>	<b>6</b>
<b>Insulation test .....</b>	<b>7</b>

## TECHNICAL SPECIFICATIONS

<b>Beolab 6000</b>	Type 6821 (EU), 6822 (GB), 6823 (USA-CDN), 6824 (JAP), 6825 (AUS)
--------------------	--

### System data:

Frequency response	70-22,000 Hz +4-8 dB 90-20,000 Hz $\pm$ 2 dB
Sound Pressure Level	97 dB/IEC noise 3 m/stereo/room
Input impedance	47 k $\Omega$
Harmonic distortion	<2% 94 dB SPL/1 m/250-1000 Hz <1% 94 dB SPL/1 m/1000-5000 Hz

### Electronics:

Active crossover network	24 dB/octave, Linkwitz/Riley
High pass filter	30 dB/octave, 70 Hz
Low frequency equalization	65-250 Hz/+11 dB

### Acoustics and cabinet:

Cabinet principle	Bass Reflex
Woofer	2 unit 9 cm
Tweeter	1.8 cm
Crossover frequency	3000 Hz
Net. volume	3 litres

### Power amplifier:

Frequency range	40-20,000 Hz +0-1 dB
Signal to noise ratio	>95 dB A-weighted, max. power
Input sensitivity/impedance:	
Power Link sockets	1 V/47 k $\Omega$
Power Link channel separation	>55 dB/10,000 Hz
Standby function	Automatic ON-OFF

### Connections:

Power Link	8-pin socket
Line	Phono socket
Power supply	230 Volts (6821), 240 Volts (6822), 120 Volts (6823) 100 Volts (6824), 240 Volts (6825)
Power consumption	<110 Watts
Stand by	<2 Watts
Finish	Polished aluminium, black base, black front cloth
Total dimensions W x H x D	10 x 110 x 8 cm
Weight	6,2 kg

**Subject to change without notice**

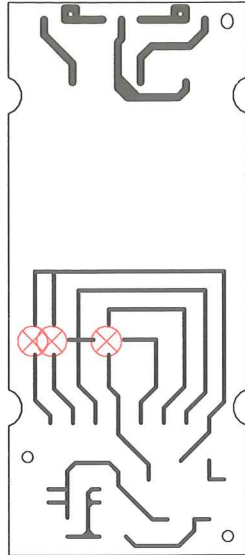
## 1-2

WIRING OF TRANSFORMER

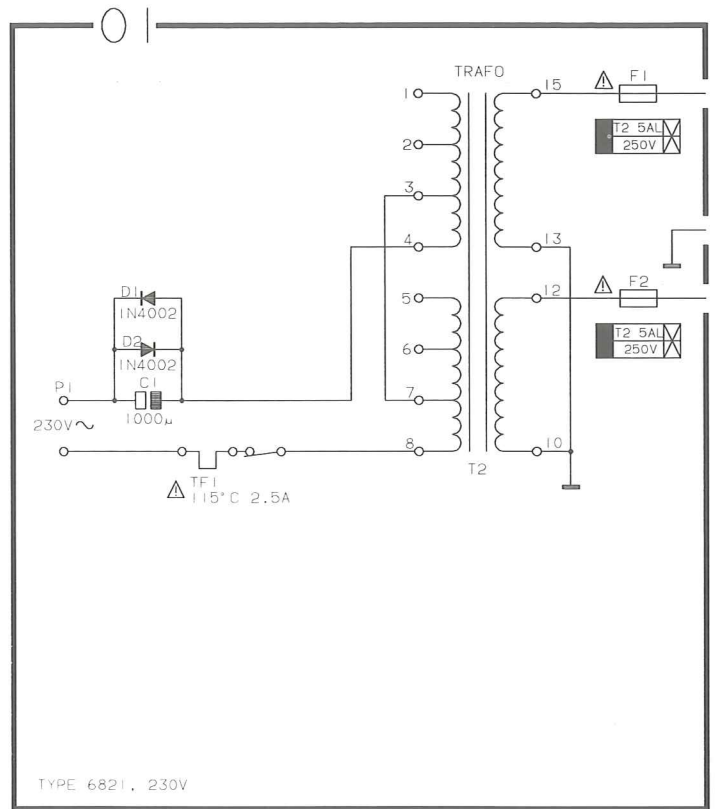
### WIRING OF TRANSFORMER

Type 6821

EU 230 V~



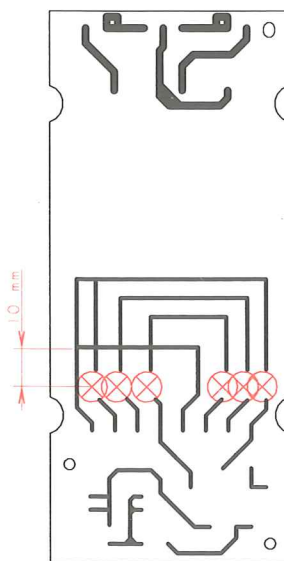
230V - TYPE 6821



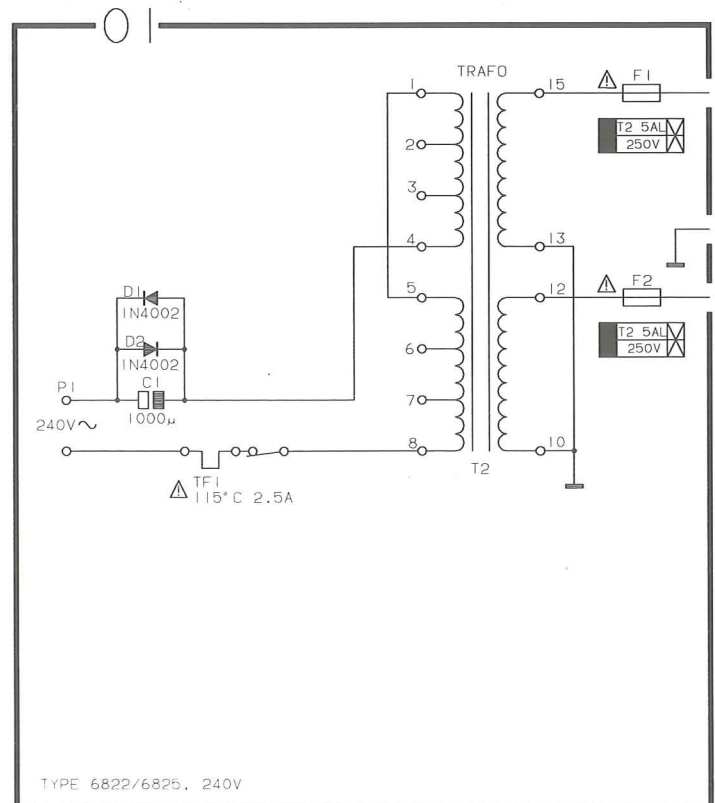
TYPE 6821, 230V

Type 6822, 6825

GB, AUS 240 V~

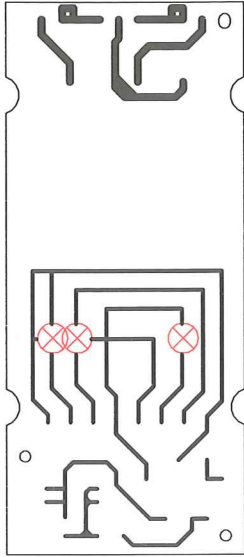


240V - TYPE 6822/6825

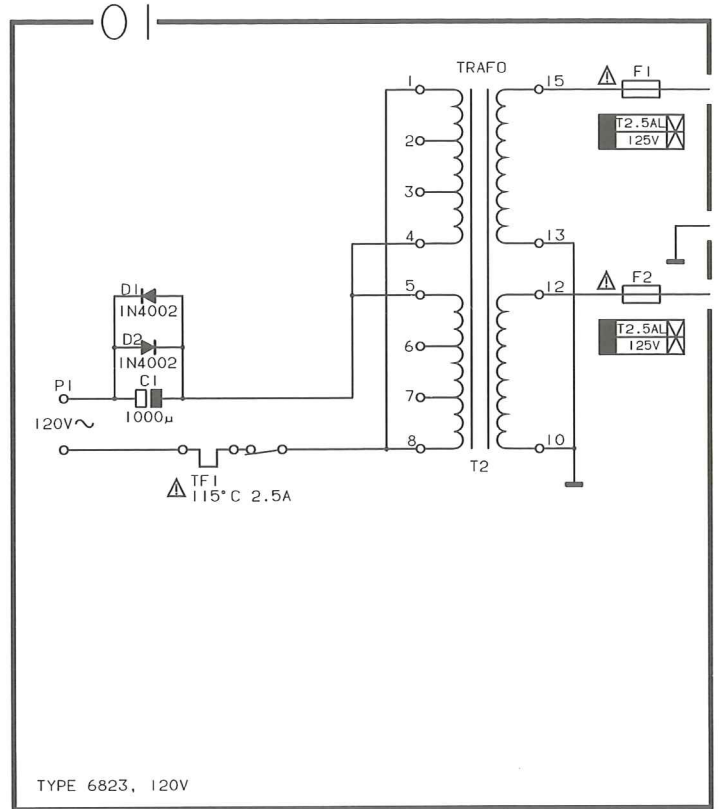


TYPE 6822/6825, 240V

Type 6823  
USA 120 V~

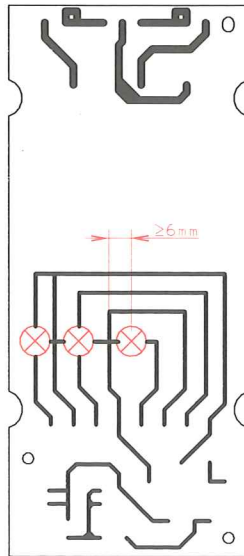


120V - TYPE 6823

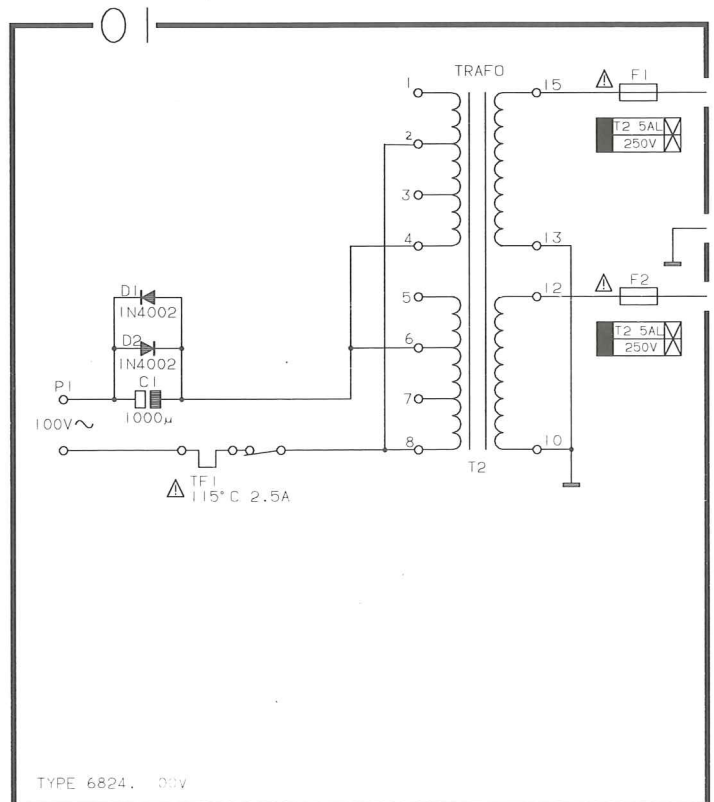


TYPE 6823, 120V

Type 6824  
JPN 100 V~



100V - TYPE 6824



TYPE 6824, 100V

## 2-1

### EXPLANATION OF DIAGRAM

#### EXPLANATION OF DIAGRAM

Type numbers of transistors and ICs are indicated on the diagrams. If the position number is followed by an asterisk the spare part number must always be used because the component in question has been specially selected, e.g. TR102\*.

#### Control Circuit

In certain control circuits the active mode is indicated by a function term or by an abbreviation. This may be e.g. ST.BY. = low in the stand-by mode or ST.BY. = high in the stand-by mode.

#### Supply Voltages

All supply voltages in the diagrams are indicated by an arrow and a voltage indication.

Example:

"7 CON.". This means that the supply voltage in question goes to 7 different places on the diagram page in question (7 CON = 7 connections).

#### SYMBOL OF SAFETY COMPONENTS



When replacing components with this symbol, components with identical part numbers must be used. The new component must be mounted in the same way as the one replaced.

#### MEASURING CONDITIONS

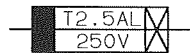
All DC voltages have been measured in relation to ground with a voltmeter with an input resistance of 10 Mohms.

The DC voltages are stated in volts (V), e.g. 0.7 V.

---

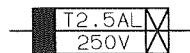
#### EXPLANATION OF THE FUSE SYMBOLS USED IN THE SET

Replace with the same type of 2.5 amperes 250 volts (125 volts, type 6823) slow acting fuse.



#### EXPLANATION DE SYMBOLES DU FUSIBLE UTILISES DANS L'APPAREIL

Remplacer par un fusible retardé de la même type et de 2.5 ampères 250 volts (125 volts, type 6823).



### DIAGRAM A

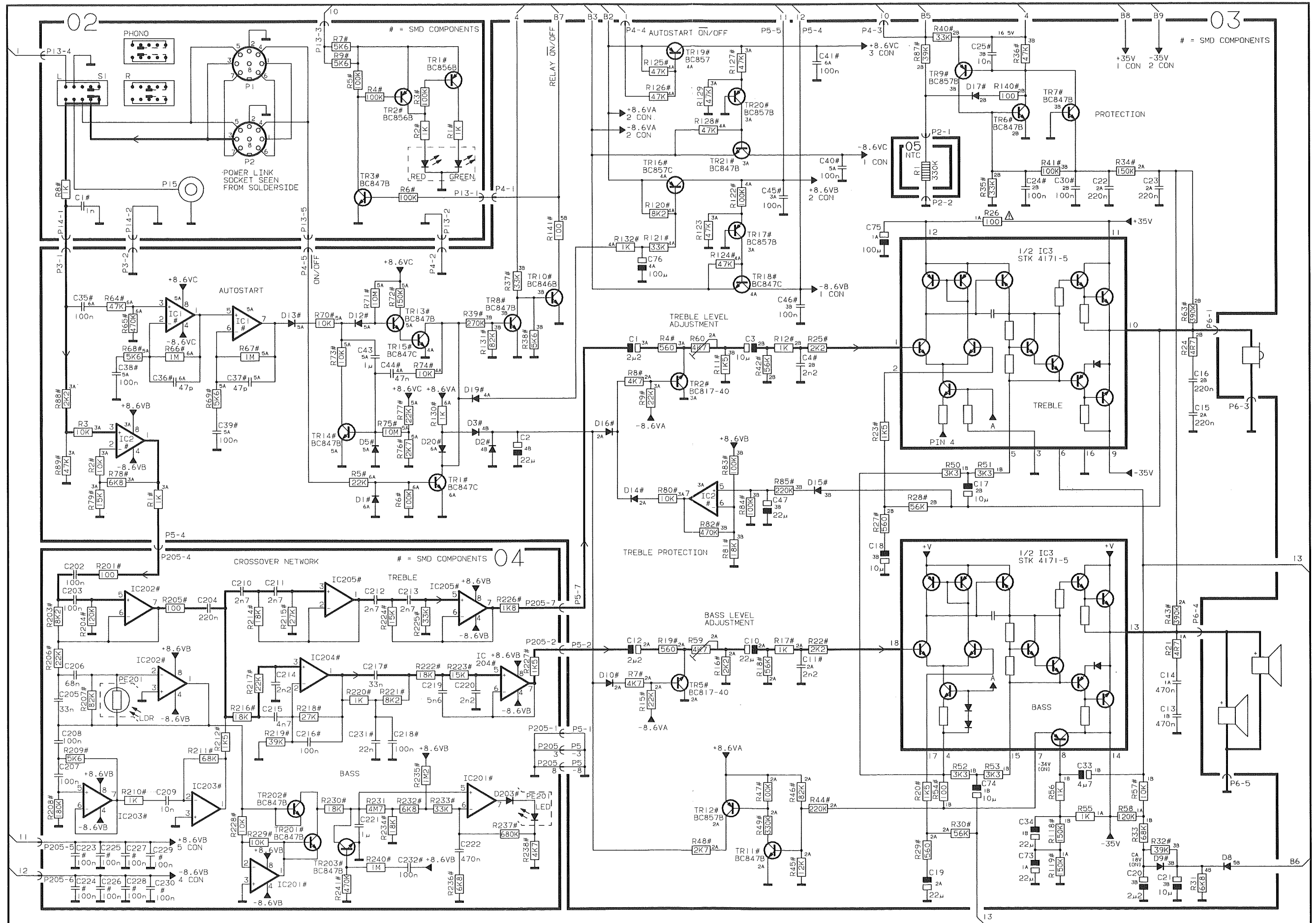
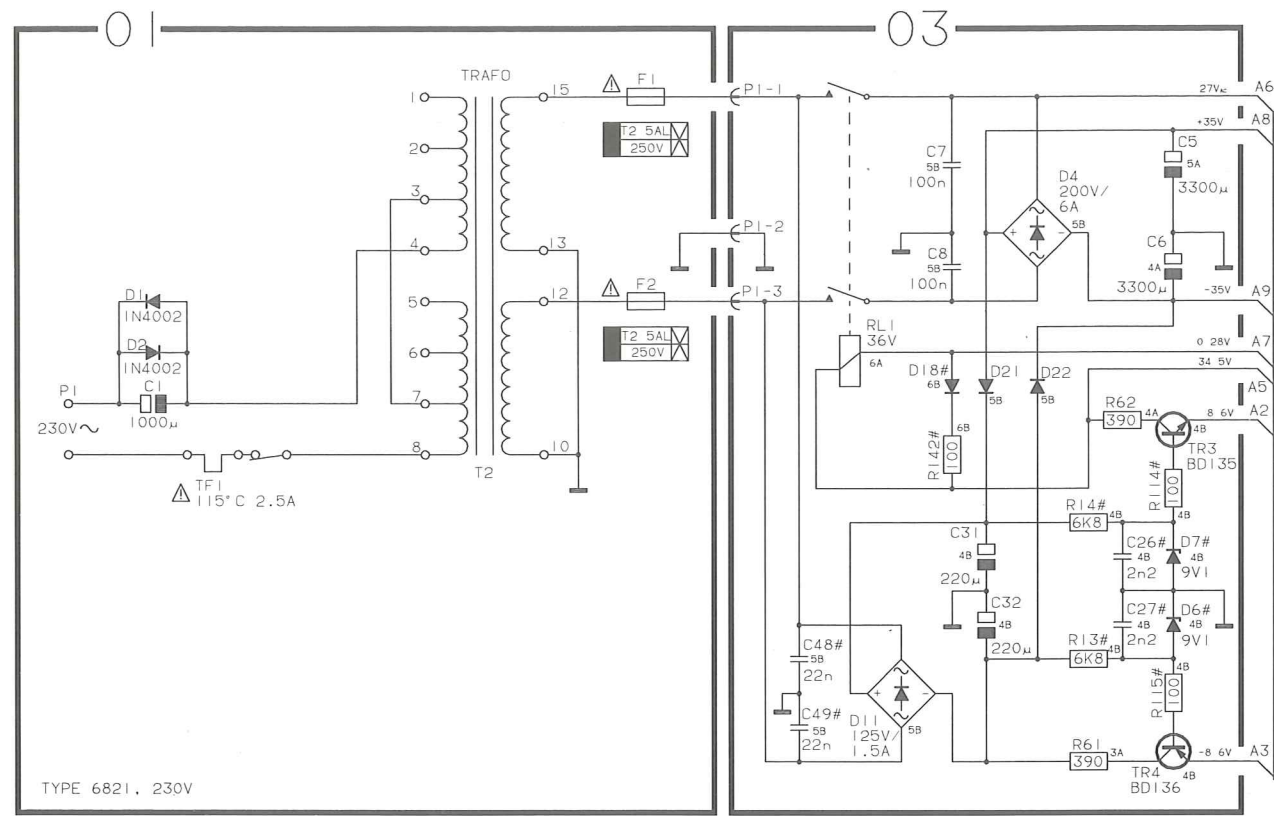
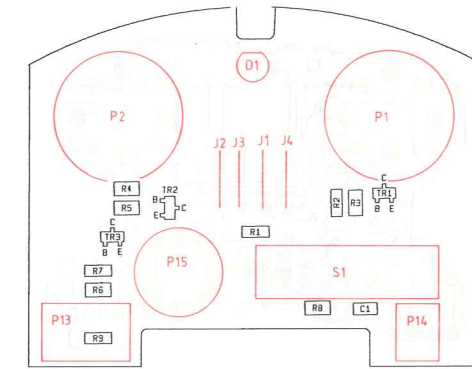


DIAGRAM B

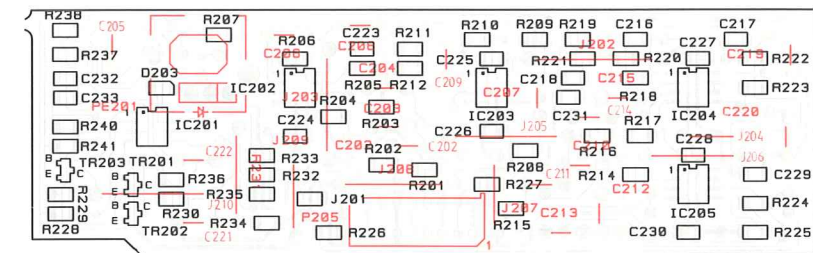


TYPE 6821, 230V

PCB2, Power Link



PCB4, Crossover and ABL

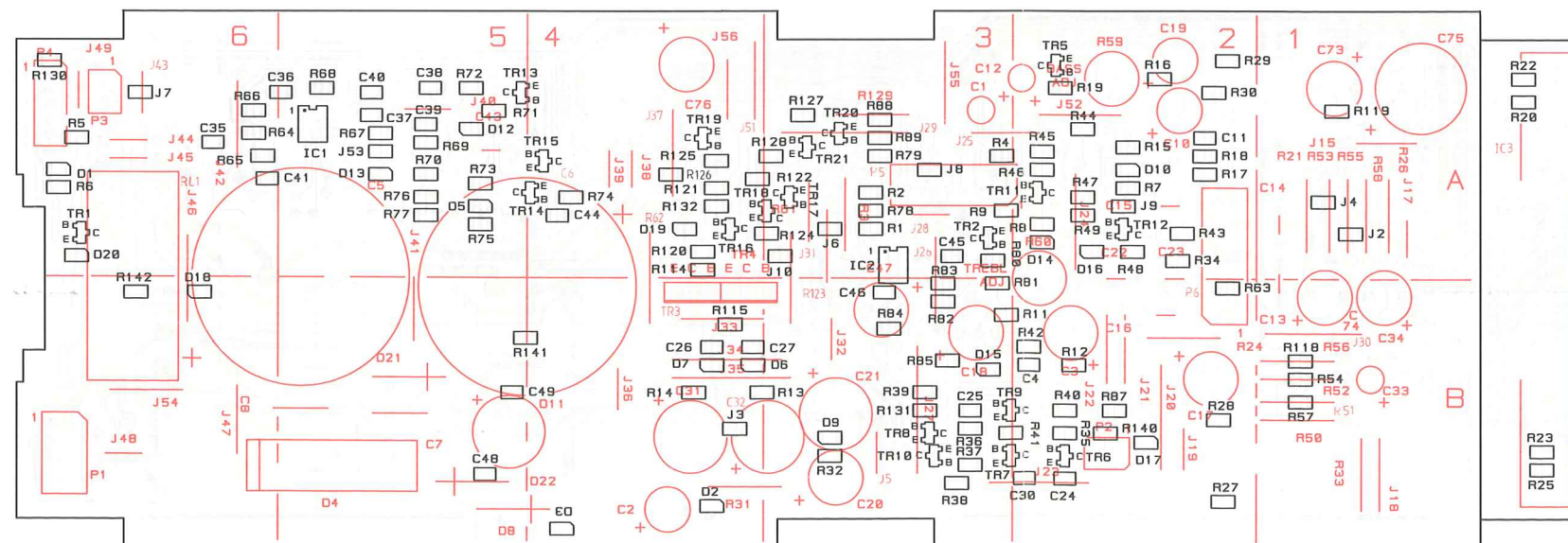


SMD Survey



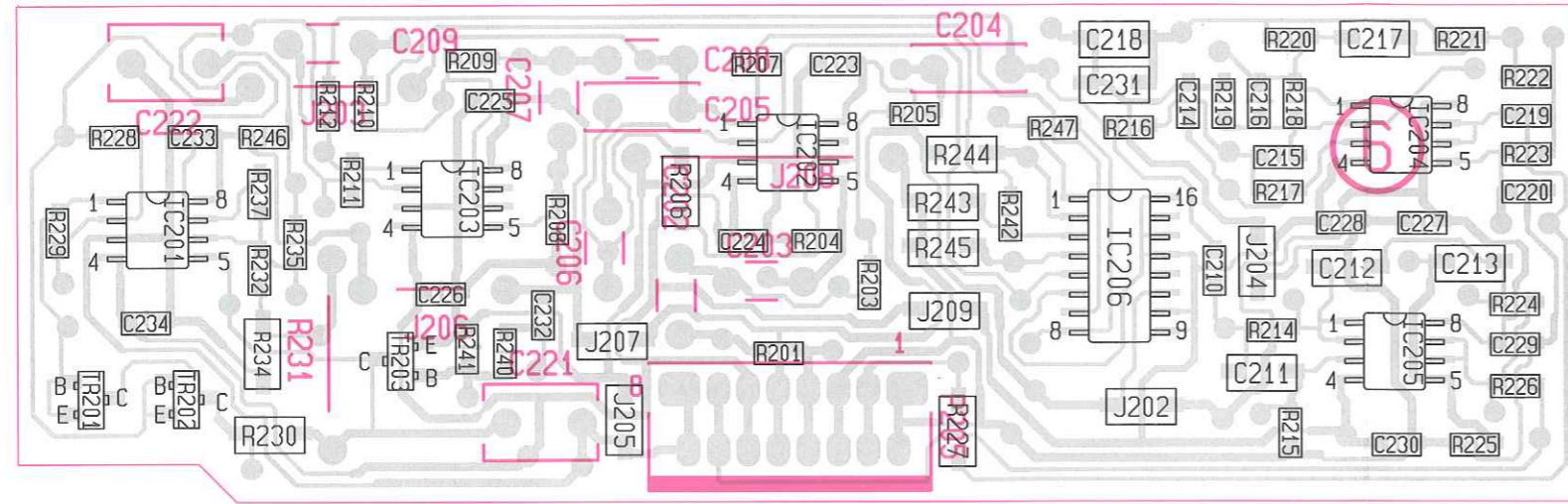
: rear side

PCB3, Main board





PCB 6, Crossover network and ABL, from serial no. 12764542



BLOCK DIAGRAM

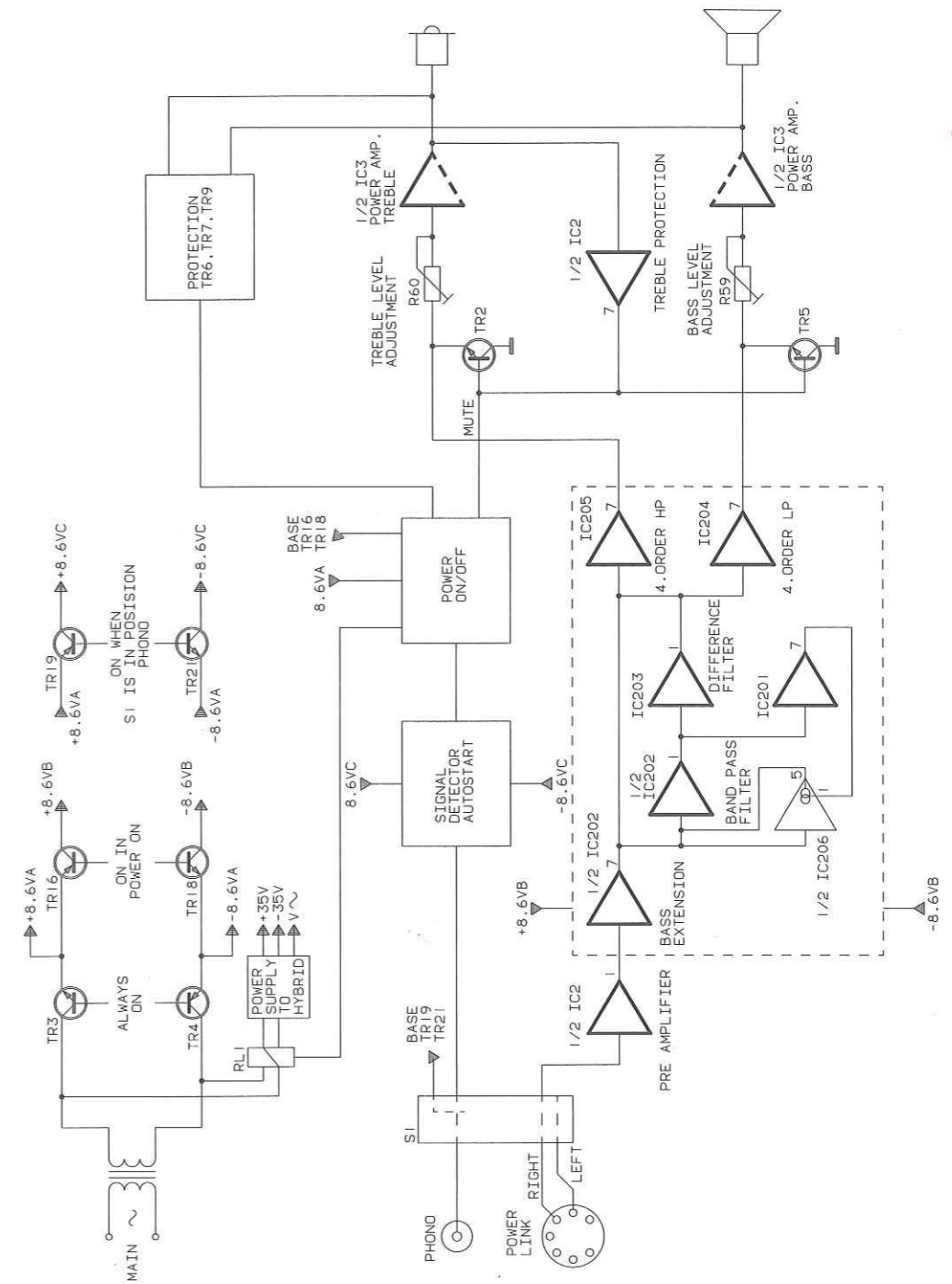
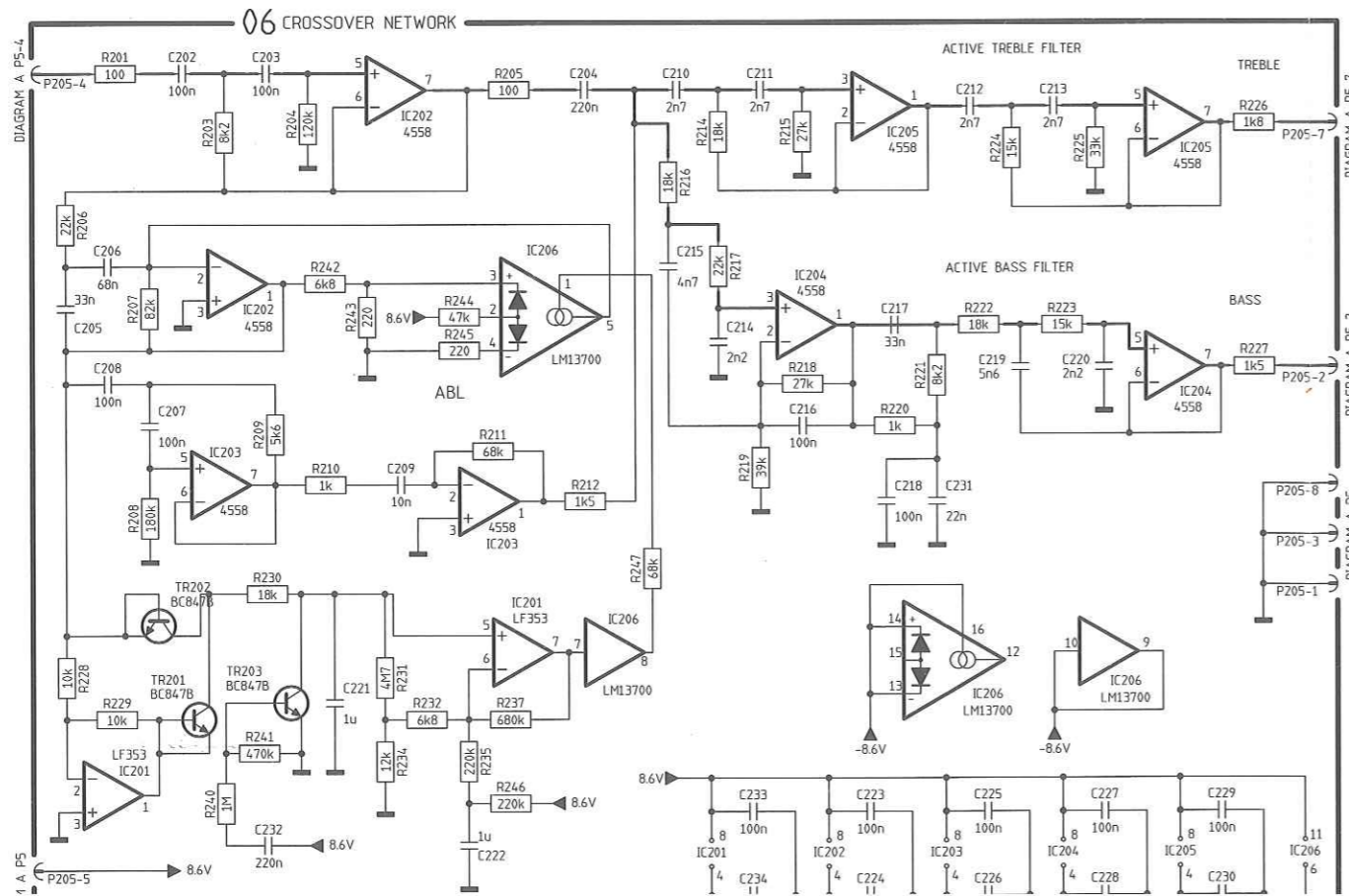


DIAGRAM C CROSSOVER NETWORK AND ABL, FROM SERIAL NO. 12764542

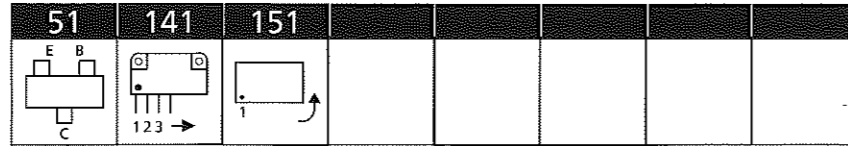


78 11-97 Paste into Service Manual Loudspeaker (3538816) on page 2-4

LIST OF ELECTRICAL PARTS

CORRECTIONS

LIST OF ELECTRICAL PARTS



Resistors not referred to are standard, see page 3-4  
 Δ indicates that static electricity may destroy the component  
 \* Specially selected or adapted sample

PCB 6, 8006076, Crossover network and ABL

IC201Δ	8341033	151	LF353	IC206Δ	8341411	151	LM13700
IC202-	8341022	151	4558				
IC205Δ							
TR201-	8320755	051	BC847B				
TR203							
R201	5011932	100Ω	5% 1/10W	R221	5011955	8.2kΩ	5% 1/10W
R203	5011955	8.2kΩ	5% 1/10W	R222	5011959	18kΩ	5% 1/10W
R204	5011969	120kΩ	5% 1/10W	R223-	5011958	15kΩ	5% 1/10W
R205	5011932	100Ω	5% 1/10W	R224			
R207	5011967	82kΩ	5% 1/10W	R225	5011962	33kΩ	5% 1/10W
R208	5011971	180kΩ	5% 1/10W	R226	5011947	1.8kΩ	5% 1/10W
R209	5011953	5.6kΩ	5% 1/10W	R228-	5011956	10kΩ	5% 1/10W
R210	5011944	1kΩ	5% 1/10W	R229			
R211	5011966	68kΩ	5% 1/10W	R231	5010770	4M7Ω	1% 1/2W
R212	5011946	1.5kΩ	5% 1/10W	R232	5011954	6.8kΩ	5% 1/10W
R214	5011959	18kΩ	5% 1/10W	R235	5011972	220kΩ	5% 1/10W
R215	5011961	27kΩ	5% 1/10W	R237	5011978	680kΩ	5% 1/10W
R216	5011959	18kΩ	5% 1/10W	R240	5011980	1MΩ	5% 1/10W
R217	5011960	22kΩ	5% 1/10W	R241	5011976	470kΩ	5% 1/10W
R218	5011961	27kΩ	5% 1/10W	R242	5011954	6.8kΩ	5% 1/10W
R219	5011963	39kΩ	5% 1/10W	R246	5011972	220kΩ	5% 1/10W
R220	5011944	1kΩ	5% 1/10W	R247	5011966	68kΩ	5% 1/10W
C202-	4130306	100μF	10% 63V	C216	4010274	100nF	-20+80% 25V
C203				C217	4010175	33nF	10% 50V
C204	4130308	220nF	10% 63V	C218	4010220	100nF	10% 50V
C205	4130305	33nF	10% 63V	C219	4001091	5.6nF	5% 50V
C206	4130231	68nF	10% 63V	C220	4000442	2.2nF	5% 50V
C207-	4130306	100nF	10% 63V	C221-	4130070	1μF	10% 50V
C208				C222			
C209	4130265	10nF	10% 63V	C223-	4010274	100nF	-20+80% 25V
C210	4001148	2.7nF	5% 50V	C230			
C211-	4010195	2.7nF	5% 50V	C231	4010216	22nF	10% 100V
C213				C232	4000287	220nF	-20+80% 25V
C214	4000442	2.2nF	5% 50V	C233-	4010274	100nF	-20+80% 25V
C215	4011050	4.7nF	5% 50V	C234			
P205	7210768	Socket 8 pole					

CORRECTIONS

List of electrical parts page 3-2

PCB 3, 8006077 Mainboard

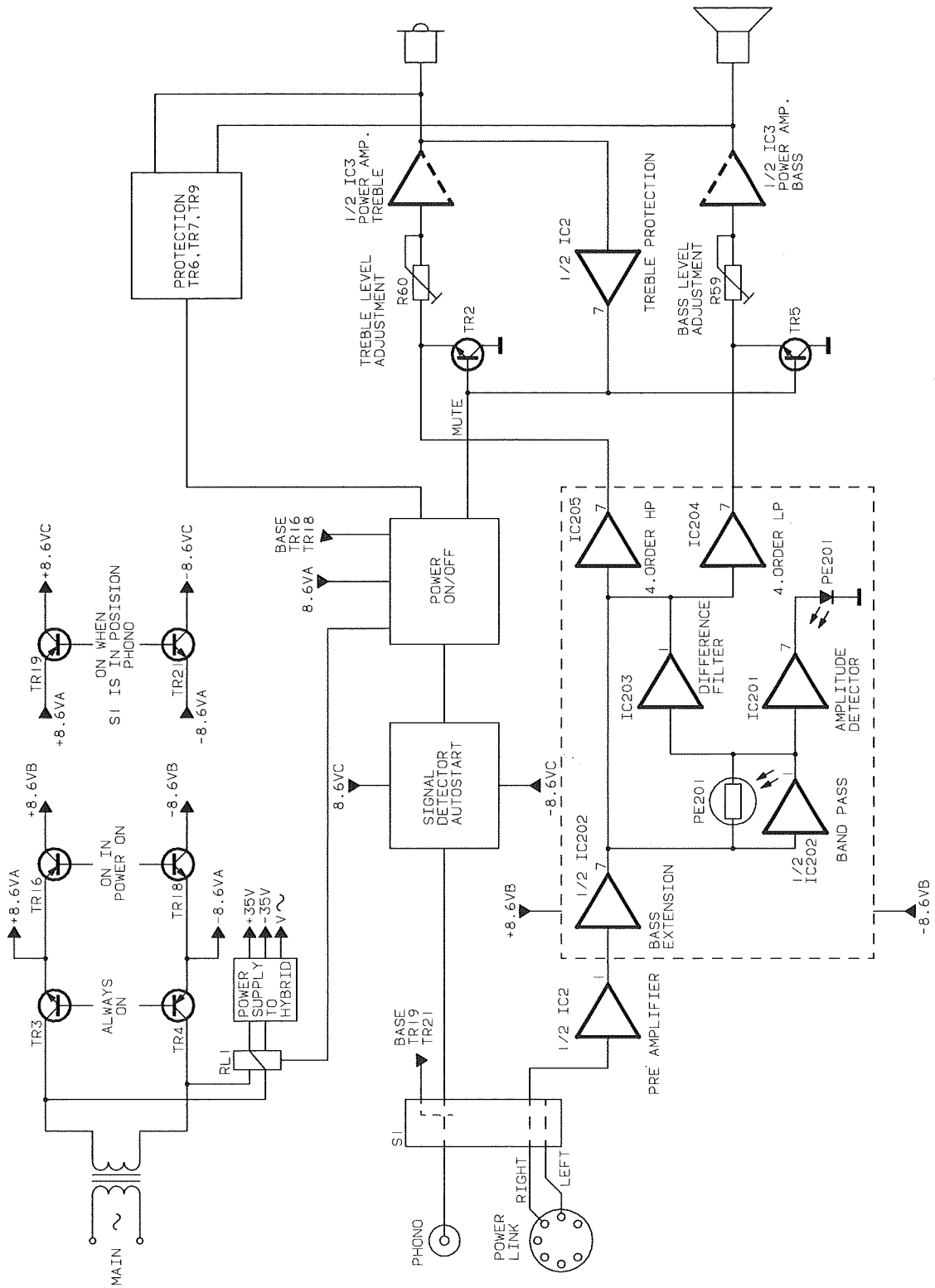
IC3	8350091	141	Hybrid STK4172-2
R21	5010765	4.7Ω	1% 1/2W
R24	5010765	4.7Ω	1% 1/2W
R31	5011042	6.8kΩ	1% 1/2W
R50-	5011037	3.3kΩ	1% 1/2W
R53			
R55-	5011028	1kW	1% 1/2W
R56			
R61-	5021605	470W	5% 1W
R62			
R81	5011272	10kΩ	5% 1/8W
R82	5011208	220kΩ	5% 1/8W
R85	5011198	150kΩ	5% 1/8W
C9	4000345	1.0nF	5% 50V
C28	4200517	2.2μF	20% 50V
C47	4200688	47μF	20% 50V
C75	4201309	100μF	20% 63V

List of mechanical parts page 4-2

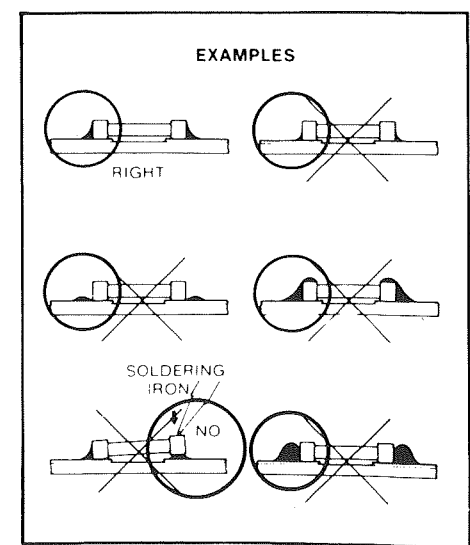
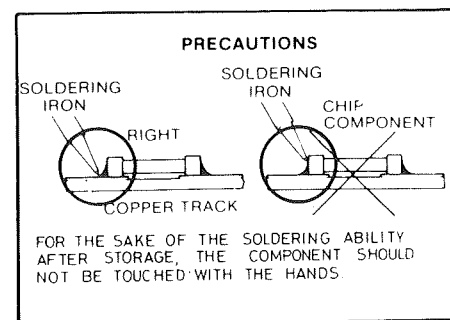
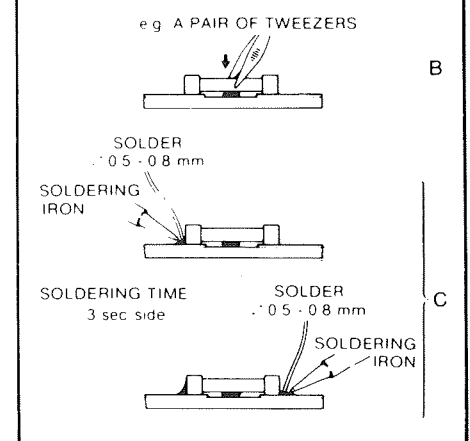
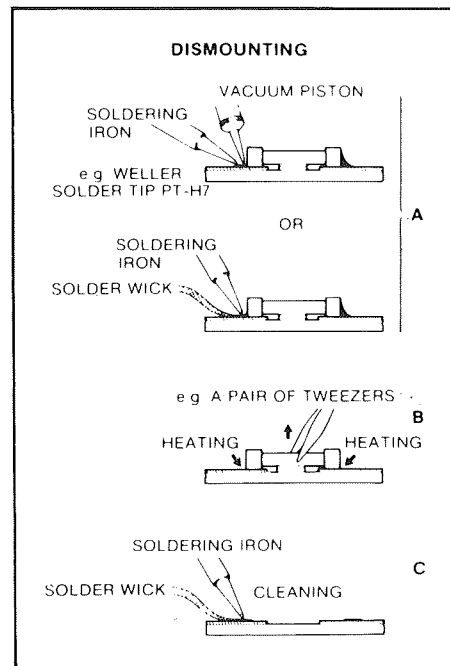
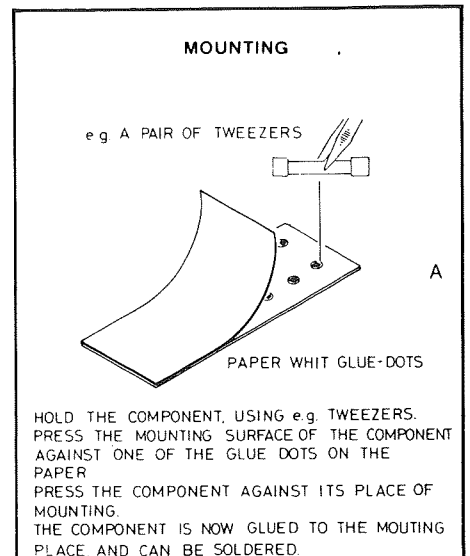
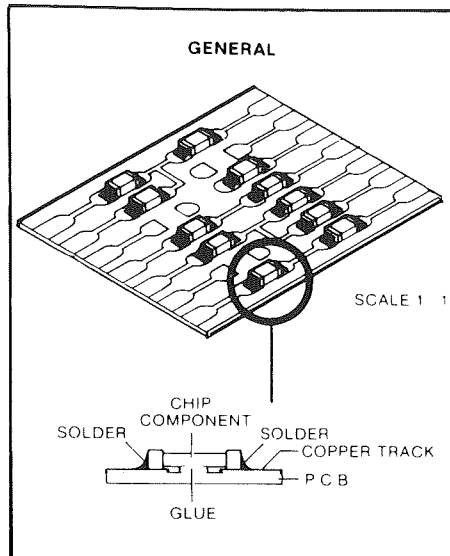
Parts not shown

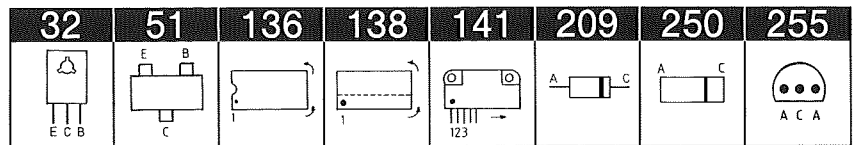
6100328	Mains cable, type 6822
6276720	Wire, 1P1-Main socket

### BLOCK DIAGRAM



**LIST OF ELECTRICAL PARTS** In the player chip components have been applied. For insertion and removal of chip components see the figure below.





*Resistors not referred to are standard, see page 3-4*

*Δ indicates that static electricity may destroy the component.*

*\* Specially selected or adapted sample.*

### PCB 01, 8006045 Transformer

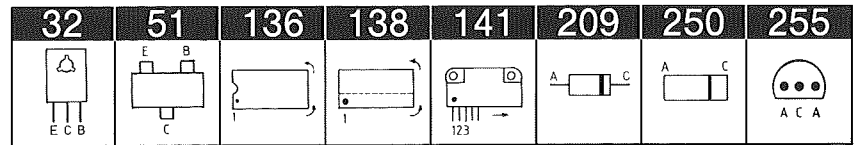
D1- D2	8300023	<b>209</b>	1N 4002		
C1	4200821		1000μF -20+50% 6.3V		
F1- F2	6600067		Fuse T2.5A, 250V	F1- F2	6600081 Fuse T2.5A, 125V type 6823
	7200064		Fuse holder	TF1	6609040 Termo 2.5A
P1	7220406		Plug 2 pole		

### PCB 02, 8006071 Power Link

TR1- TR3	8320753	<b>051</b>	BC856B		
D1	8330236	<b>255</b>	Bicolor		
R1- R2	5011631		1kΩ 1% 1/4W	R7 R9	5021382 5.6kΩ 1% 1/4W 5021382 5.6kΩ 1% 1/4W
C1	4000345		1 nF 5% 50V		
S1	7400371		Switch		
P1- P2	7210929		DIN-Socket 8 pole	P14 P15	7220724 Plug 2 pole 7210567 Socket, Phono
	2011043		Screw, 2.2x6		2625028 Washer
P13	7220727		Plug 5 pole		

### PCB 03, 8006077 Mainboard

IC1- IC2Δ	8341022	<b>138</b>	4558	IC3Δ	8350085	<b>141</b>	Hybrid STK4171-V
TR1	8320936	<b>051</b>	BC847C	TR12	8320811	<b>051</b>	BC857B
TR2	8320752	<b>051</b>	BC817-40	TR13-	8320755	<b>051</b>	BC847B
TR3*	8320239	<b>032</b>	BD135	TR14			
TR4*	8320240	<b>032</b>	BD136	TR15	8320936	<b>051</b>	BC847C
TR5	8320752	<b>051</b>	BC817-40	TR16	8320778	<b>051</b>	BC858C
TR6-	8320755	<b>051</b>	BC847B	TR17	8320811	<b>051</b>	BC857B
TR8				TR18	8320936	<b>051</b>	BC847C
TR9	8320811	<b>051</b>	BC857B	TR19-	8320811	<b>051</b>	BC857B
TR10	8320816	<b>051</b>	BC846B	TR20			
TR11	8320755	<b>051</b>	BC847B	TR21	8320755	<b>051</b>	BC847B
D1- D3	8300482	<b>250</b>	LL4148	D9- D10	8300482	<b>250</b>	LL4148
D4	8300497		KBU 6D	D11	8300466		125V 1.5A
D5	8300482	<b>250</b>	LL4148	D12-	8300482	<b>250</b>	LL4148
D6-	8300762	<b>250</b>	Z9.1V 2%	D20			
D7				D21-	8300023	<b>209</b>	1N 4002
D8	8300023	<b>209</b>	1N 4002	D22			



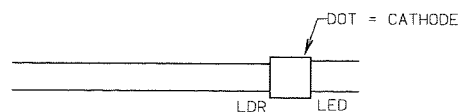
Resistors not referred to are standard, see page 3-4

△ indicates that static electricity may destroy the component.

\* Specially selected or adapted sample.

R13- R14	5012192	6.8kΩ 5% 1/4W	R59- R60	5370370	4.7kΩ 30% 0.1W
R26	5020159	100Ω 10% 0.3W	R130	5011631	1kΩ 1% 1/4W
C1	4200517	2.2μF 20% 50V	C30	4010166	100nF -20+80% 50V
C2	4200672	22μF 20% 16V	C31-	4200858	220μF 20% 50V
C3	4200510	10μF 20% 16V	C32		
C4	4010170	2.2nF 10% 50V	C33	4200875	4.7μF 20% 100V
C5-	4201139	3300μF 20% 50V	C34	4200508	22μF 20% 25V
C6			C35	4010220	100nF 10% 50V
C7-	4130103	100nF 20% 250V	C36-	4000234	47pF 5% 50V
C8			C37		
C10	4200525	22μF 20% 10V	C38-	4010220	100nF 10% 50V
C11	4010170	2.2nF 10% 50V	C39		
C12	4200517	2.2μF 20% 16V	C40-	4010166	100nF -20+80% 50V
C13-	4130234	470nF 10% 63V	C41		
C14			C43	4130070	1μF 10% 50V
C15-	4130233	220nF 20% 63V	C44	4010209	47nF 10% 50V
C16			C45-	4010166	100nF -20+80% 50V
C17	4200561	10μF 20% 50V	C46		
C18	4200510	10μF 20% 16V	C47	4200508	22μF 20% 25V
C19	4200525	22μF 20% 10V	C48-	4010216	22nF 10% 100V
C20	4200517	2.2μF 20% 50V	C49		
C21	4200874	10μF 20% 100V	C73	4200508	22μF 20% 25V
C22-	4130233	220nF 20% 63V	C74	4200561	10μF 20% 50V
C23			C75	4200368	100μF .20% 63V
C24	4010166	100nF -20+80% 50V	C76	4200628	100μF 20% 16V
C25	4010176	10nF -20+80% 50V			
C26-	4010170	2.2nF 10% 50V			
C27					
RL1	7600110	Relay 36V			
P1	7220185	Plug 3 pole	P4	7220712	Plug 5 pole
P2-	7220709	Plug 2 pole	P5	7220788	Plug 8 pole
P3			P6	7220206	Plug 5/4 pole
IC201△	8341033	136 LF353-TL072			
IC202-	8341022	138 4558			
IC205△					
TR201-	8320755	051 BC847B			
TR203					
D203	8300482	250 LL4148			
PE201	5210017	LDR/LED coupler			

**PCB 04, 8006076**  
**Crossover and ABL**



## 3-4 LIST OF ELECTRICAL PARTS

C202-	4130306	100nF 10% 63V	C216	4010220	100nF 10% 50V
C203			C217	4010175	33nF 10% 50V
C204	4130308	220nF 10% 63V	C218	4010220	100nF 10% 50V
C205	4130305	33nF 10% 63V	C219	4010183	5.6nF 10% 50V
C206	4130231	68nF 10% 63V	C220	4010103	2.2nF 10% 50V
C207-	4130306	100nF 10% 63V	C221	4130399	1µF 10% 63V
C208			C222	4130234	470nF 10% 63V
C209	4130265	10nF 10% 63V	C223-	4010166	100nF -20+80% 50V
C210-	4010167	2.7nF 10% 100V	C230		
C213			C231	4010216	22nF 10% 100V
C214	4010103	2.2nF 10% 50V	C232	4130233	220nF 20% 63V
C215	4010101	4.7nF 10% 50V			

P205 7210768 Socket 8 pole

R1 5220036 330kΩ 10% 1/2W

PCB 05, 8006078  
NTC

## 3-4 LIST OF ELECTRICAL PARTS

### Standard Resistors:

Resistors SMD 2% 1/8 W  
SMD 5% 1/8 W

	5%	2%	2%	2%	2%	2%	5%	5%
	x1	x10	x100	x1K	x10K	x100K	x1M	x10M
1.0	5011623	5011647	5011218	5011227	5011241	5011256	5011267	5011730
1.1	5011624	5011648	5011669	5011681	5011689	5011694	5011707	
1.2	5011625	5011649	5011219	5011682	5011490	5011257	5011708	
1.3	5011626	5011650	5011670	5011683	5011242	5011258	5011709	
1.5	5011627	5011651	5011220	5011228	5011243	5011259	5011710	
1.6	5011628	5011652	5011671	5011684	5011690	5011695	5011711	
1.8	5011629	5011653	5011672	5011229	5011244	5011260	5011712	
2.0	5011630	5011654	5011673	5011685	5011691	5011696	5011713	
2.2	5011216	5011655	5011674	5011230	5011245	5011261	5011714	
2.4	5011634	5011656	5011675	5011686	5011246	5011697	5011715	
2.7	5011635	5011657	5011497	5011231	5011247	5011262	5011716	
3.0	5011731	5011658	5011499	5011500	5011692	5011698	5011717	
3.3	5011217	5011659	5011676	5011232	5011248	5011263	5011718	
3.6	5011636	5011660	5011677	5011687	5011249	5011264	5011719	
3.9	5011637	5011661	5011221	5011233	5011491	5011699	5011720	
4.3	5011638	5011662	5011498	5011688	5011492	5011700	5011721	
4.7	5011639	5011269	5011222	5011234	5011250	5011265	5011722	
5.1	5011640	5011663	5011678	5011235	5011493	5011261	5011723	
5.6	5011641	5011664	5011223	5011236	5011251	5011702	5011724	
6.2	5011642	5011665	5011224	5011237	5011693	5011703	5011725	
6.8	5011643	5011666	5011225	5011238	5011252	5011704	5011726	
7.5	5011644	5011667	5011679	5011239	5011253	5011705	5011727	
8.2	5011645	5011270	5011226	5011240	5011254	5011266	5011728	
9.1	5011646	5011668	5011680	5011489	5011255	5011706	5011729	

(Glue dots, approx. 200, part no. 3181932).

Resistors 5% 1/2 W

	x1	x10	x100	x1K	x10K	x100K	x1M	x10M
1.0		5011000	5011013	5011028	5011044	5010313	5011069	5011083
1.2	5011406	5011001	5011014	5011030	5011045	5011058	5010421	
1.5	5010727	5011002	5011015	5011031	5011046	5011059	5011071	
1.8	5010857	5010787	5011016	5011033	5011047		5011072	
2.2	5011335	5010708	5010815	5011034	5011048	5011061	5011074	
2.7	5011612	5010803	5011018	5011035	5011049	5011062	5011075	
3.3	5010255	5011007	5011019	5011037		5011063	5010381	
3.9		5010782	5011021	5010700	5011051		5010392	
4.7	5010765	5011009	5011022	5010035	5010036	5011065	5011078	
5.6		5011010	5011023	5011041		5011066	5011079	
6.8	5010874	5011011	5011024	5011042	5010810	5011067	5011080	
8.2		5011012	5011026	5011043	5010038	5011068	5011081	

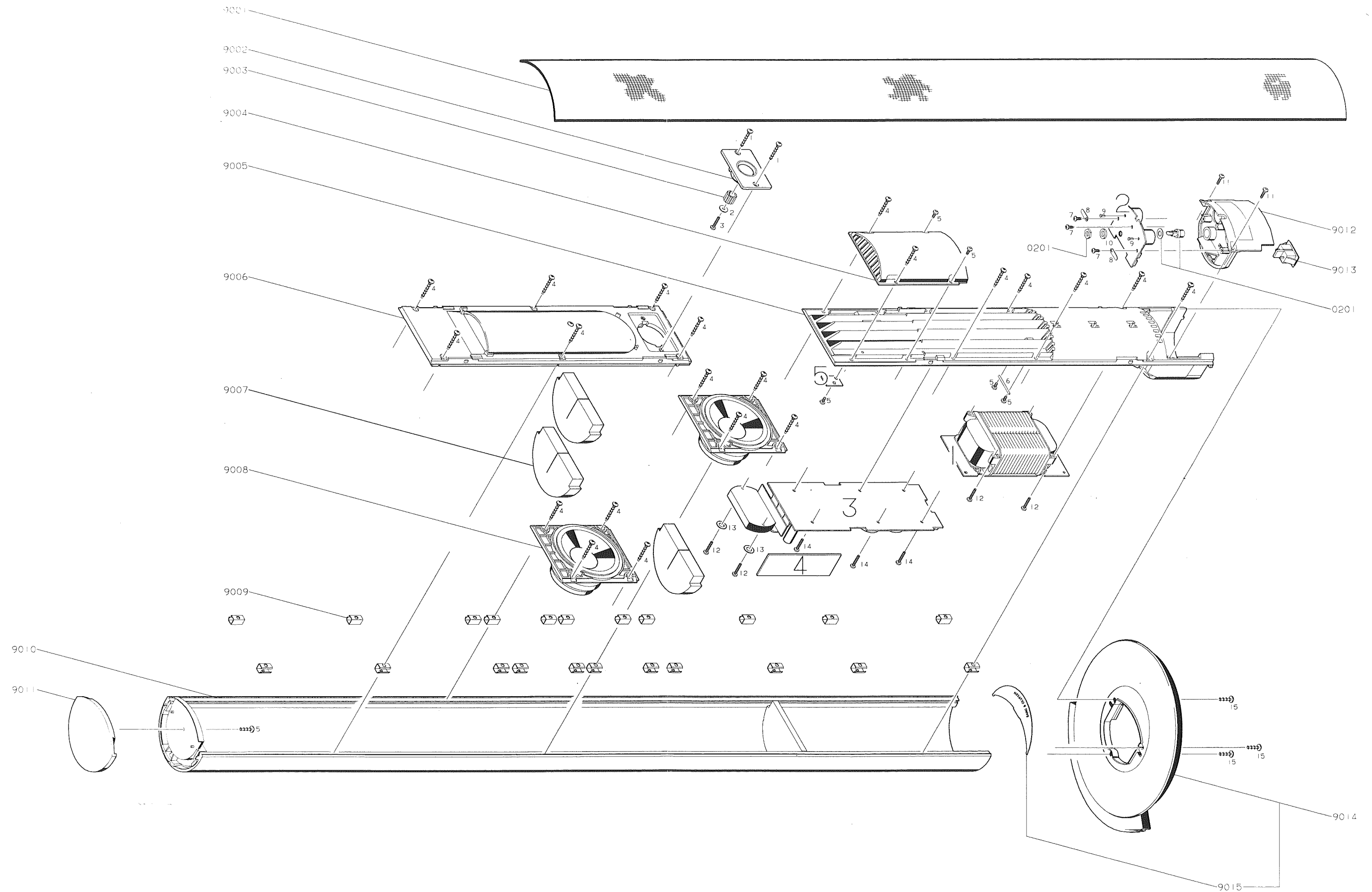
Resistors 5% 1/4 W

	x1	x10	x100	x1K	x10K	x100K	x1M	x10M
1.0	5010592	5010506	5010065	5010040	5010059	5010049	5010054	5010638
1.2		5010595	5010128	5010153	5010046	5010047	5010665	
1.5	5011348	5010468	5010057	5010247	5010053	5010063	5010093	
1.8		5010822	5010362	5010066	5010135	5010072	5010791	
2.2	5010682	5010448	5010092	5010064	5010079	5010120	5010245	
2.7	5010925	5010403	5010000	5010298	5010141	5010083	5010431	
3.3		5010253	5010044	5010076	5010075	5010117	5010848	
3.9	5011377	5010622	5010070	5010069	5010060	5010073	5010714	
4.7	5010888	5010411	5010058	5010048	5010045	5010077	5011513	
5.6	5010706	5010151	5010067	5010041	5010061	5010071	5010658	
6.8	5010904	5010039	5010144	5010052	5010062	5010074		
8.2	5010880	5010056	5010068	5010154	5010091	5010505		

Resistors 5% 1/8 W

	x1	x10	x100	x1K	x10K	x100K	x1M	x10M
1.0		5011464	5011357	5010816	5010935	5011440	5011459	5020875
1.2		5011351	5011084	5011442	5011338	5011341	5011175	
1.5		5011463	5011443	5011178	5011364	5011398	5011460	
1.8		5011350	5011361	5011344	5011468			
2.2	5011032	5011376	5010886	5011353	5010833	5011369	5011342	
2.7		5011471	5011355	5011362	5011366	5011370	5011478	
3.3		5011347	5011337	5010827	5011346	5011371	5011462	
3.9		5011438	5011817	5011157	5011457	5011372	5020876	
4.7	5011363	5011038	5011441	5011363	5010937	5011343	5011611	
5.6		5011412	5011358	5010885	5011166	5011340		
6.8		5011356	5011336	5010839	5011367	5011458		
8.2		5011466	5011354	5011339	5011368	5011373		

LIST OF MECHANICAL PARTS  
Expl. view





01modul 8006045 PCB Transformer

---

02modul 8006071 PCB Power Link  
0201 7210567 Socket, Phono

---

03modul 8006077 PCB Mainboard

---

04modul 8006076 PCB Crossover and ABL

---

05modul 8006078 PCB NTC

---

9001	3451029	Cloth front	9009	2816214	Clips
9002	8480243	Tweeter	9010	3430587	Cabinet
9003	3358305	Heat sink f. tweeter		3947350	Foam tape, 3x7 mm
9004	3164862	Cover		3947548	Foam tape, 6x7 mm
9005	3358304	Heat sink	9011	3458854	Top
	3947547	Foam tape, 3x19 mm	9012	3169024	Bracket
9006	3440165	Baffle w. port	9013	7219075	Socket f. mains cable
	3947350	Foam tape, 3x7 mm	9014	2752032	Foot
9007	3332046	Damper	9015	3302533	Foil with print
9008	8480248	Woofers			

---

### Survey of screws and washers

1	2015139	Screw, 3.5x16	8	7530119	Soldertag
2	2039034	Screw, 3x12	9	2011043	Screw, 2.2x6
3	2622247	Washer, ø3.2x10.2x1	10	2625028	Washer
			11	2011055	Screw, 3x10
4	2015154	Screw, 3.5x25	12	2011056	Screw, 3x16
5	2013192	Screw, 3x6	13	2624013	Washer, ø3
6	3956009	Wire holder, ø2x29	14	2013188	Screw, 3x8
			15	2042067	Screw, 4x16
7	2013144	Screw, 3x8			

---

### Parts not shown

6100245 Mains cable, type 6821, 6822  
6100268 Mains cable, type 6823  
6100247 Mains cable, type 6824  
6100248 Mains cable, type 6825  
6276608 Wire, 1P1-Main socket  
6276609 Wire, 2P14-3P3  
6276610 Wire, 2P13-3P4  
6276648 Wire, 3P2-5CP  
6276649 Wire, 1CP-3P1  
6276497 Wire bundle f. HT  
6270599 Power Link cable, black, 5 m  
2013192 Screw, f. adjustment  
3332048 Damper  
3040030 Hexagon spanner, 2.5 mm  
3392274 Outer carton  
3397857 Foam packing

---

### Owners Manual

3506204 Danish  
3506205 Swedish  
3506206 Finnish  
3506207 English  
3506208 German  
3506209 Dutch  
3506210 French  
3506211 Italien  
3506212 Spanish

## ADJUSTMENT

### Adjustment of the bass/treble level

When a speaker is replaced, the level has to be adjusted. A rated value, stated in dB, will be printed on the back of the new unit.

This value must be used in connection with the adjustment.

The speaker units need not be connected during the adjustment.

1. Connect an audio oscillator to either:
  - pin 5 (switch in position RIGHT) of the POWER LINK socket. The voltage at pin 4 should be +5V.
  - pin 3 (switch in position LEFT) of the POWER LINK socket. The voltage at pin 4 should be +5V.
  - the phono socket (switch in position PHONO).

### Signal levels

When adjusting the tweeter, apply a signal of 10kHz – 100mV.

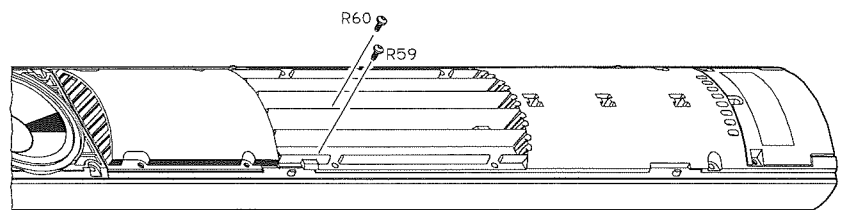
When adjusting the woofer, apply a signal of 1kHz – 100mV.

2. Connect an AC voltmeter across the connection terminals of the replaced unit.

Tweeter: P6-1 / P6-3

Woofer: P6-4 / P6-5

3. Depending on the rated value stated on the new unit, adjust R60-PCB03 (tweeter) or R59-PCB03 (woofer). Access to R59 and R60 is gained by removing the screws – see illustration.



## Adjustment of the treble level

When adjusting the treble level, adjust the voltage corresponding to the rated dB value.

## Adjustment of the bass level

When adjusting one bass unit, adjust to half the rated value stated on the new unit.

- For example: If the rated value is -1.5 dB, adjust to the voltage that corresponds to -0.75 dB (3.27 V).

When adjusting two bass units, add the two rated values and divide by 2.

- For example: If the rated values are -1.5 dB and 2 dB respectively, that gives a total value of 0.5 dB, so adjust to the voltage that corresponds to a value of 0.25 dB (2.72 V).

## Replacement of PCB03

When PCB03 is replaced, the level of the tweeter has to be adjusted to 3.00 V by means of R60-PCB03, and the level of the woofer has to be adjusted to 2.80 V by means of R59-PCB03.

Rated value in dB	Treble	Bass
2.00	2.38 V	2.22 V
1.75	2.45 V	2.29 V
1.50	2.52 V	2.36 V
1.25	2.60 V	2.42 V
1.00	2.67 V	2.50 V
0.75	2.75 V	2.57 V
0.50	2.83 V	2.64 V
0.25	2.91 V	2.72 V
0.00	3.00 V	2.80 V
-0.25	3.09 V	2.88 V
-0.50	3.18 V	2.97 V
-0.75	3.27 V	3.05 V
-1.00	3.37 V	3.14 V
-1.25	3.46 V	3.23 V
-1.50	3.53 V	3.33 V
-1.75	3.67 V	3.42 V
-2.00	3.78 V	3.52 V

## REPAIR TIPS

**Important!**

To avoid consequential damage, the electrolytic capacitors C5-PCB03 and C6-PCB03 have to be discharged with an output resistance of approx. 500 ohm before replacing components, because these electrolytic capacitors are discharged neither in stand-by nor when the mains voltage is disconnected. (The voltage is able to keep for up to a week.)

**Power supply**

The individual 8.6V supplies are active in different situations.

$\pm 8.6V_B$  is switched off in stand-by.

$\pm 8.6V_C$  is switched on only when the S1 switch is set to PHONO.

**Autostart circuit**

Approx. 0.8 seconds after a signal (approx. 100 $\mu$ V) is applied to the PHONO socket, the product will go into ON mode.

Unless the autostart circuit is switched off, the product will go into stand-by approx. 2 minutes after the signal applied to the PHONO socket has disappeared.

If it is desirable to switch off the autostart circuit during a repair, this can be achieved by short-circuiting C43-PCB03.

**Protection circuit**

The protection circuit, (TR6, TR7 and TR10) PCB03, can be checked by making the resistance between P2-1 and P2-2 (NTC resistance)  $< 22$  Kohm, which will make the product go into stand-by.

The product can only be brought out of this condition by removing the mains supply.

**ABL (adaptive bass linearization)** The ABL function is most easily checked by connecting an audio oscillator (80 Hz) to the input socket.

Connect a DC voltmeter across R238-PCB04.

Adjust the level of the audio oscillator until the voltage across R238-PCB04 just begins to rise from 0V. The voltage must be between 0 and 30mV. This is just sufficient for making ABL active. (The output is approx. 11W.)

Now increase the level at the input by 10 dB.

The voltage across R238-PCB04 should now rise to approx. 2.2V immediately. (The output is approx. 24W.)

Reduce the level at the input by 10 dB.

After 5-10 seconds, the voltage across R238-PCB04 should drop to approx. 0V. ABL is out of operation.

**Assembly of the product**

Make sure that the leads from the Transformer/Power Link PCB to the Mainboard are not caught between the transformer and the rear panel.

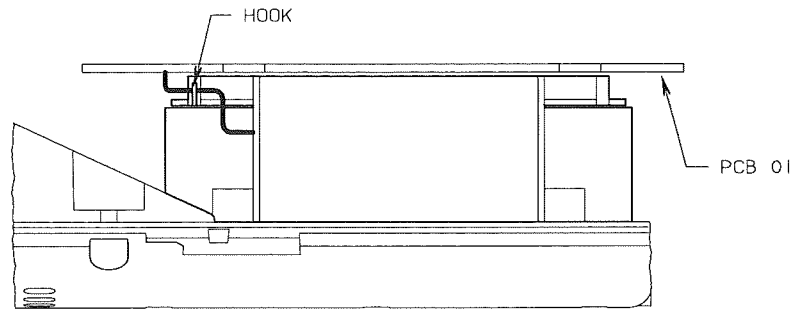
**Mounting the speakers**

The individual speaker units overlap, so in order to be able to mount the individual units the baffle with the tweeter has to be mounted first and then the woofer units.

The cable shoes must be tight and pressed into place.

## Replacement of thermal fuse

The thermal fuse, TF1, must be placed in the same way as the defective fuse. Make sure the supply leads run under the hook of the transformer.



## Repair procedure proposal

THE SPEAKER IS SILENT, RED LIGHT IN THE LED.

Check the following:

- The fuses F1 and F2, PCB01 (must be removed when measured).
- The voltage at the emitter of TR9-PCB03, must be approx. 16.5V.
- The  $\pm 8.6V_B$  supply voltage.
- If  $\pm 8.6V_B$  is present, check TR10-PCB01.
- If  $\pm 8.6V_B$  is not present, check TR1 and TR15 on PCB03.
- Is the switch in a position different from that being tested?

THE SPEAKER IS NOT SILENT, RED LIGHT IN THE LED.

Check  $V_{re-on}$ , the voltage at the collector of TR10-PCB03. It must be less than 0.5V.

THE SPEAKER IS SILENT, GREEN LIGHT IN THE LED.

Check the following:

- Is the switch in the right position?
- The fuses F1 and F2, PCB01 (must be removed when measured).
- The fuse resistor R26-PCB03.
- The  $\pm 35V$  supply voltage.
- The  $\pm 8.6V_A$  supply voltage.
- The  $\pm 8.6V_B$  supply voltage.
- The voltage across C20-PCB03; it should be approx. 18V.
- The voltage at pin 7 of IC3-PCB03; it should be approx. -34V.
- The voltage at the base of the mute transistors TR2-PCB03 and TR5-PCB03 should be approx. -2V.

## EINSTELLUNG

**Einstellung des  
Tiefen-/Höhenpegels**

Nach Austausch eines Lautsprechers ist der Pegel einzustellen. Auf der Rückseite der neuen Lautsprechereinheit ist ein in dB angegebener Wert gedruckt.

Dieser Wert ist im Zusammenhang mit der Einstellung zu benutzen.

Es ist nicht notwendig, daß die Lautsprechereinheiten während des Einstellvorgangs angeschlossen sind.

## 1. Tongenerator anschließen – entweder an:

- Anschluß 5 (Umschalter in Stellung RIGHT) der POWER LINK-Buchse.  
Am Anschluß 4 müssen +5 V anliegen

oder

- Anschluß 3 (Umschalter in Stellung LEFT) der POWER LINK-Buchse.  
Am Anschluß 4 müssen +5 V anliegen

oder

- PHONO-Buchse (Umschalter in Stellung PHONO)

**Signalpegel**

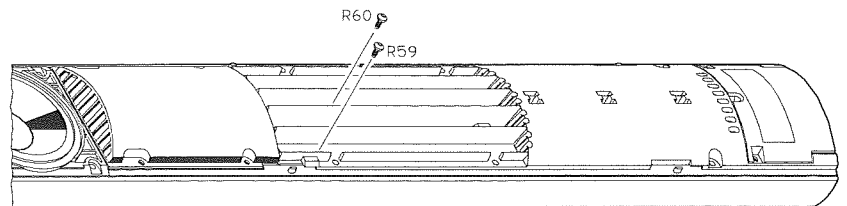
Zum Einstellen der Hochton-Einheit ist ein Signal von 10 kHz – 100 mV zuzuführen.

Zum Einstellen der Tiefton-Einheit ist ein Signal von 1 kHz – 100 mV zuzuführen.

## 2. AC-Voltmeter über die Anschlußklemmen der ausgetauschten Einheit anschließen

Hochton-Einheit: P6-1/P6-3

Tiefton-Einheit: P6-4/P6-5

3. Je nach dem auf der neuen Einheit angegebenen Wert ist mit R60 PCB03 (Höhen) oder R59 PCB03 (Tiefen) einzustellen.  
R59 und R60 werden durch Entfernung der Schrauben zugänglich – siehe Abbildung.

## **Einstellung Hochtonpegel**

Zum Einstellen der Hochton-Einheit wird auf die Spannung abgeglichen, die dem angegebenen dB-Wert entspricht.

## **Einstellung Tieftonpegel**

Zum Einstellen von 1 Tiefton-Einheit wird auf die Hälfte des auf der neuen Lautsprechereinheit angegebenen Wertes abgeglichen.

- Beispiel: Bei einer Wertangabe von -1,5 dB, wird auf die Spannung eingestellt, die -0,75 dB (3,27 V) entspricht.

Zum Einstellen von 2 Tiefton-Einheiten werden die beiden Wertangaben addiert und danach durch 2 geteilt.

- Beispiel: Bei Wertangaben von -1,5 dB und 2 dB ergibt sich ein Gesamtwert von 0,5 dB, und es wird auf eine Spannung eingestellt, die einem Wert von 0,25 dB (2,72 V) entspricht.

## **Austausch von PCB03**

Nach Austausch von PCB03 ist der Pegel des Hochton-Lautsprechers mit R60-PCB03 auf 3,00 V einzustellen. Der Pegel des Tiefton-Lautsprechers ist mit R59-PCB03 auf 2,80 V einzustellen.

Wert in dB	Hochtöner	Tieftöner
2,00	2,38 V	2,22 V
1,75	2,45 V	2,29 V
1,50	2,52 V	2,36 V
1,25	2,60 V	2,42 V
1,00	2,67 V	2,50 V
0,75	2,75 V	2,57 V
0,50	2,83 V	2,64 V
0,25	2,91 V	2,72 V
0,00	3,00 V	2,80 V
-0,25	3,09 V	2,88 V
-0,50	3,18 V	2,97 V
-0,75	3,27 V	3,05 V
-1,00	3,37 V	3,14 V
-1,25	3,46 V	3,23 V
-1,50	3,53 V	3,33 V
-1,75	3,67 V	3,42 V
-2,00	3,78 V	3,52 V

## REPARATURTIPS

**Wichtiger Hinweis!**

Die Ladeelektrolyten C5-PCB03 und C6-PCB03 sind zur Vermeidung von Folgeschäden mit einem Leistungswiderstand von ca. 500 Ohm zu entladen. Diese Ladeelektrolyten entladen sich nämlich nicht – weder in Stand-by noch nach Entfernen der Netzspannung (die Spannung kann sich bis zu einer Woche halten).

**Stromversorgung**

Die einzelnen 8,6 V-Versorgungen sind in verschiedenen Situationen aktiv.

$\pm 8,6 V_B$  sind in Stand-by ausgeschaltet.

$\pm 8,6 V_C$  sind nur dann eingeschaltet, wenn der Umschalter S1 in Stellung PHONO steht.

**Autostart-Schaltkreis**

Ca. 0,8 Sekunden, nachdem ein Signal (ca. 100  $\mu V$ ) auf die PHONO-Buchse gelangt, schaltet sich das Gerät in den Modus ON.

Wenn der Autostart-Schaltkreis nicht ausgeschaltet wird, schaltet sich das Gerät ca. 2 Minuten, nachdem das Signal an der PHONO-Buchse verschwunden ist, in Stand-by.

Falls bei einer Reparatur der Autostart-Schaltkreis auszuschalten ist, kann dies durch Kurzschließen des C43-PCB03 erfolgen.

**Schutzschaltkreis**

Der Schutzschaltkreis (TR6, TR7 und TR10) PCB03 kann kontrolliert werden, wenn der Widerstand zwischen P2-1 und P2-2 (NTC-Widerstand)  $< 22k\Omega$  gemacht wird. Hierzu muß das Gerät in Stand-by stehen.

Das Gerät läßt sich nur aus diesem Zustand herausbringen, wenn die Netzversorgung entfernt wird.

**ABL (Adaptive Bass Linearization)**

Die ABL-Funktion läßt sich am einfachsten kontrollieren, wenn ein Tongenerator (80 Hz) an die Eingangssteckbuchse angeschlossen wird.

DC-Voltmeter über R238-PCB04 anschließen.

Pegel am Tongenerator so einstellen, daß die Spannung über R238-PCB04 gerade von 0 V anzusteigen beginnt; die Spannung muß zwischen 0-30 mV liegen. Dadurch wird der ABL-Kreis gerade aktiv sein. (Die Ausgangsleistung beträgt ca. 11 W).

Pegel am Eingang jetzt um 10 dB erhöhen.

Die Spannung über R238-PCB04 muß jetzt sofort auf ca. 2,2 V ansteigen. (Die Ausgangsleistung beträgt ca. 24 W).

Pegel am Eingang jetzt um 10 dB absenken.

Nach Verlauf von 5-10 Sekunden muß die Spannung über R238-PCB04 auf ca. 0 V abfallen. Der ABL-Kreis ist außer Funktion.

**Zusammenbau des Gerätes**

Es ist besonders darauf zu achten, daß die Leitungen von der Transformator-/Power Link PCB zur Hauptplatine (Mainboard) nicht zwischen Transformator und Rückwandteil eingeklemmt werden.

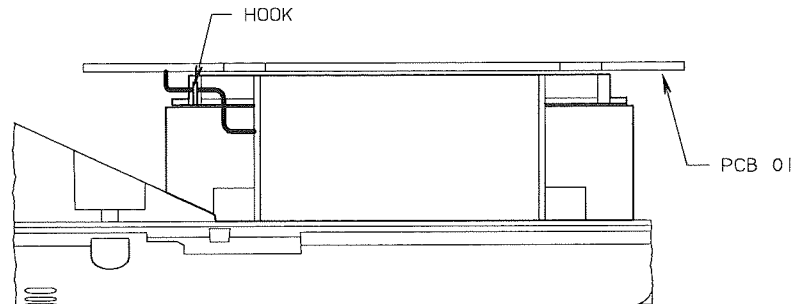
**Einbau der Lautsprecher**

Die einzelnen Lautsprechereinheiten verdecken zum Teil einander. Zur Montage der einzelnen Einheiten ist es deshalb notwendig, zuerst die 'Baffle'-Platte mit der Hochtoneinheit und danach die Tieftoneinheiten zu montieren.



Die Kabelschuhe müssen einwandfreien Kontakt aufweisen und ganz aufgeschoben werden.

**Austausch der Thermosicherung** Die Thermosicherung TF1 ist auf dieselbe Art und Weise wie die fehlerhafte Sicherung anzubringen. Es ist wichtig, daß die Zuleitungen unter den Haken des Transformators zu liegen kommen.



## Vorschlag zum Reparaturverfahren

DER LAUTSPRECHER IST TOT, DIE LEUCHTDIODE LEUCHTET ROT.

Es sind die folgenden Punkte zu kontrollieren:

- Sicherungen F1 und F2, PCB01 (sie müssen zum Messen herausgenommen werden).
- Spannung am Emitter des TR9-PCB03; sie muß bei ca. 16,5 V liegen.
- Versorgungsspannung  $\pm 8,6 V_B$ .
- Sind  $\pm 8,6 V_B$  vorhanden, so ist TR10-PCB01 zu kontrollieren.
- Sind  $\pm 8,6 V_B$  nicht vorhanden, so sind TR1 und TR15 PCB03 zu kontrollieren.
- Steht der Umschalter in anderen Stellung als der, in der getestet wird?

DER LAUTSPRECHER IST NICHT TOT, DIE LEUCHTDIODE LEUCHTET ROT

$V_{re-on}$ -Spannung am Kollektor des TR10-PCB03 kontrollieren; sie muß unter 0,5 V sein.

DER LAUTSPRECHER IST TOT, DIE LEUCHTDIODE LEUCHTET GRÜN.

Es sind die folgenden Punkte zu kontrollieren:

- Steht der Umschalter korrekt?
- Sicherungen F1 und F2, PCB01 (sie müssen zum Messen herausgenommen werden).
- Sicherungswiderstand R26-PCB03.
- Versorgungsspannung  $\pm 35 V$ .
- Versorgungsspannung  $\pm 8,6 V_A$ .
- Versorgungsspannung  $\pm 8,6 V_B$ .
- Spannung über C20-PCB03; sie muß bei ca. 18 V liegen.
- Spannung am Anschluß des IC3-PCB03; sie muß bei ca. -34 V liegen.
- Die Spannung an der Basis der 'Mute'-Transistoren TR2 PCB03 und TR5 PCB03 muß bei ca. -2 V liegen.

## REGLAGE

**Réglage du niveau des graves et des aigus**

Il convient de régler le niveau lors du remplacement du haut-parleur. La face arrière du nouveau haut-parleur présente une valeur indiquée en dB.

Il convient de prendre cette valeur pour le réglage.

Il n'est pas nécessaire de raccorder les haut-parleurs pour procéder au réglage.

## 1. Raccorder un oscillateur à basse fréquence

- à la borne 5 (sélecteur en position RIGHT) de la fiche POWER LINK (la borne 4 doit afficher une tension de +5 V),
  - à la borne 3 (sélecteur en position LEFT) de la fiche POWER LINK (la borne 4 doit afficher une tension de +5 V)
- ou
- à la fiche PHONO (sélecteur en position PHONO).

**Niveaux du signal**

Pour régler le haut-parleur d'aigu, appliquer un signal de 10 kHz - 100 mV.

Pour régler le haut-parleur de grave, appliquer un signal de 1 kHz - 100 mV.

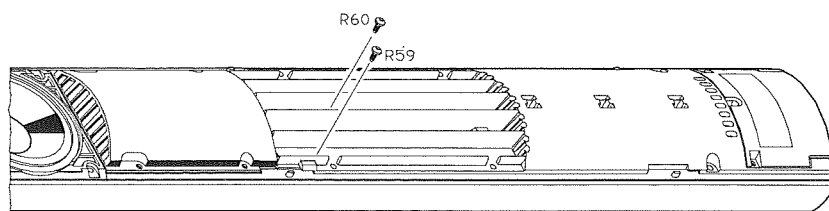
## 2. Raccorder un voltmètre ca au travers des bornes de connexion du haut-parleur remplacé.

Aigus : P6-1 / P6-3

Graves : P6-4 / P6-5

## 3. Régler avec R60-PCB03 (aigus) ou R59-PCB03 (graves) selon la valeur indiquée sur le nouveau haut-parleur.

Pour accéder à R59 et R60, enlever les vis comme montré à la illustration.



## Réglage du niveau des aigus

Pour modifier le niveau des aigus, régler pour obtenir la tension correspondant à l'indication en dB.

## Réglage du niveau des graves

Pour le réglage d'une section grave, adopter une valeur correspondant à la moitié de celle indiquée sur le nouveau haut-parleur.

- Ex. : Régler pour obtenir une tension correspondant à -0,75 dB (3,27 V) si la valeur indiquée est de -1,5 dB.

En présence de 2 sections grave, ajouter les 2 valeurs et diviser le résultat par 2.

- Ex. : Les valeurs indiquées sont de -1,5 et de 2 dB. La somme donne 0,5 dB. Il convient de régler pour obtenir une tension correspondant à 0,25 dB (2,72 V).

**Remplacement de la carte PCB03** Lors de cette opération, régler le haut-parleur d'aigu sur 3,00 V en agissant sur R60-PCB03. Régler le haut-parleur de grave sur 2,80 V à l'aide de R59-PCB03.

Indication en dB	Aigus	Grave
2,00	2,38 V	2,22 V
1,75	2,45 V	2,29 V
1,50	2,52 V	2,36 V
1,25	2,60 V	2,42 V
1,00	2,67 V	2,50 V
0,75	2,75 V	2,57 V
0,50	2,83 V	2,64 V
0,25	2,91 V	2,72 V
0,00	3,00 V	2,80 V
-0,25	3,09 V	2,88 V
-0,50	3,18 V	2,97 V
-0,75	3,27 V	3,05 V
-1,00	3,37 V	3,14 V
-1,25	3,46 V	3,23 V
-1,50	3,53 V	3,33 V
-1,75	3,67 V	3,42 V
-2,00	3,78 V	3,52 V

## CONSEILS DE REPARATION

**Attention !**

Décharger les condensateurs électrolytiques C5-PCB03 et C6-PCB03 avec une résistance effective de  $500\Omega$  env. avant de remplacer les composants. Cette mesure vise à éviter tout endommagement éventuel. En effet, ces condensateurs électrolytiques ne se déchargent pas, ni en mode veille, ni en coupant l'alimentation secteur (la tension peut subsister durant une semaine).

**Alimentation électrique**

Les diverses alimentations 8,6 V sont actives dans différents cas.

$\pm 8,6 V_B$  est coupée en mode veille.

$\pm 8,6 V_C$  est uniquement en service quand le sélecteur S1 est en mode PHONO.

**Circuit de mise en marche automatique**

L'appareil se met en marche 0,8 seconde env. après avoir appliqué un signal ( $100 \mu V$  env.) à la douille phono.

L'appareil commute en mode "veille" 2 minutes env. après que la douille phono ne reçoit plus de signal si le circuit de mise en marche automatique n'est pas coupé.

Court-circuiter C43-PCB03 pour couper le circuit de mise en marche automatique lors d'une intervention.

**Circuit de protection**

Il est possible de contrôler le bon fonctionnement du circuit de protection (TR6, TR7 et TR10) de la carte PCB03 en attribuant à la résistance intercalée entre P2-1 et P2-2 (résistance CTN) une valeur inférieure à  $22 k\Omega$ . L'appareil commute alors en mode veille. L'appareil ne peut quitter cet état qu'en coupant l'alimentation secteur.

**ABL (linéarisation adaptative des graves)**

Raccorder un oscillateur à basse fréquence (80 Hz) à la fiche d'entrée pour contrôler facilement la fonction ABL.

Raccorder un voltmètre cc au travers de R238-PCB04.

Régler le niveau de l'oscillateur à basse fréquence jusqu'à ce que la tension traversant R238-PCB04 commence à s'écarter de la valeur 0 V. La tension doit être comprise entre 0 et 30 mV. Dans cette plage, la fonction ABL est active (puissance approximative de sortie : 11 W).

Augmenter le niveau de l'entrée de 10 dB.

La tension traversant R238-PCB04 monte immédiatement à 2,2 V env. (puissance approximative de sortie : 24 W).

Atténuer le niveau de l'entrée de 10 dB.

Au bout de 5 à 10 secondes, la tension traversant R238-PCB04 doit retomber à 0 V env. La fonction ABL est coupée.

**Montage de l'appareil**

Veiller à ce que les câbles reliant la carte Transformateur/Power Link et la carte principale ne se coincent pas entre le transformateur et la face arrière.

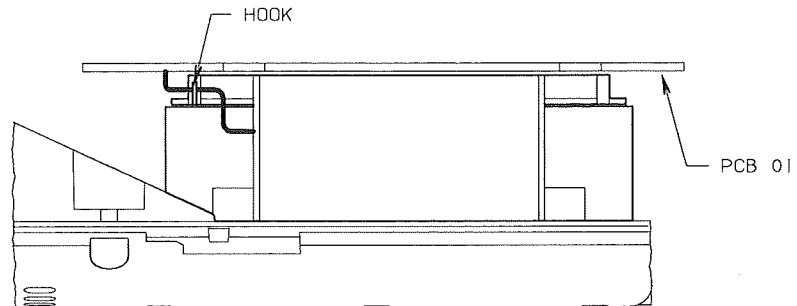
**Montage des haut-parleurs**

Les diverses sections sont superposées. Pour les monter, il est impératif de commencer par l'écran des aigus et de terminer par les haut-parleurs de grave.

Les cosses des câbles doivent être serrées et présenter un excellent contact.

## Remplacement du fusible thermostatique

Il convient de placer le fusible thermostatique neuf TF1 dans la même position que le fusible grillé. Il est capital que les câbles passent sous le crochet du transformateur.



## Mode opératoire proposé pour la réparation

### HAUT-PARLEUR MUET, DIODE ELECTROLUMINESCENTE ROUGE

Contrôler les points suivants :

- Fusibles F1 et F2 de PCB01 (les sortir pour les mesurer).
- Tension de l'émetteur de TR9-PCB03. Elle doit avoisiner 16,5 V.
- Tension d'alimentation  $\pm 8,6$  V<sub>B</sub>.
- TR10-PCB01 en présence de  $\pm 8,6$  V<sub>B</sub>.
- TR1 et TR15-PCB03 en l'absence de 8,6 V<sub>B</sub>.
- Position du sélecteur. Vérifier qu'il n'est pas dans une position autre que celle qui est applicable aux tests.

### HAUT-PARLEUR ACTIF, DIODE ELECTROLUMINESCENTE ROUGE

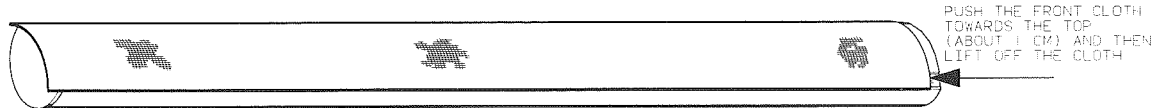
Contrôler la tension  $V_{re-on}$  du collecteur de TR10-PCB03. Elle doit être inférieure à 0,5 V.

### HAUT-PARLEUR MUET, DIODE ELECTROLUMINESCENTE VERTE

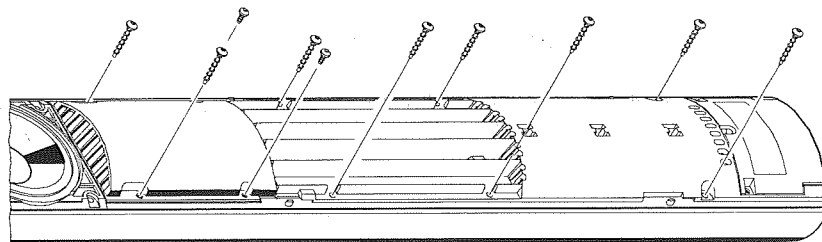
Contrôler les points suivants :

- Position du sélecteur. Est-elle correcte ?
- Fusibles F1 et F2 de PCB01 (les sortir pour les mesurer).
- Résistance de sécurité R26-PCB03.
- Tension d'alimentation  $\pm 35$  V.
- Tension d'alimentation  $\pm 8,6$  V<sub>A</sub>.
- Tension d'alimentation  $\pm 8,6$  V<sub>B</sub>.
- Tension traversant C20-PCB03. Elle doit avoisiner 18 V.
- Tension à la borne 7 de IC3-PCB03. Elle doit avoisiner -34 V.
- Tension à la base des transistors de coupure du son TR2-PCB03 et TR5-PCB03. Elle doit avoisiner -2 V.

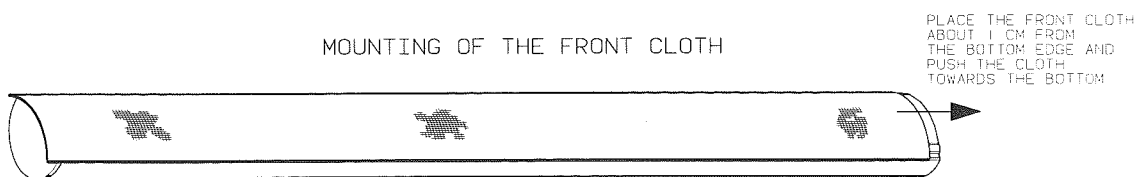
DISMOUNTING OF THE FRONT CLOTH



DISMOUNTING OF THE HEAT SINK



MOUNTING OF THE FRONT CLOTH



## INSULATION TEST

Each set must be insulation tested after having been dismantled. Make the test when the set has been reassembled and is ready to be returned to the customer.

Flashovers must not occur during the testing procedure!

Make the insulation test as follows:

Short-circuit the two pins of the mains plug and connect them to one of the terminals of the insulation tester. Connect the other terminal to ground in phono socket (LINE IN).

### NOTE!

To avoid damaging the set it is essential that both terminals of the insulation tester have good contact.

Slowly turn the voltage control of the insulation tester until a voltage of 1.5-2 kV is obtained. Maintain that voltage for one second, then slowly turn it down again.

## ISOLATIONSPRÜFUNG

Nach einer Zerlegung ist an jedem Gerät eine Isolationsprüfung vorzunehmen. Die Prüfung ist erst dann durchzuführen, wenn das Gerät wieder vollständig zusammengebaut und zur Ausgabe an den Kunden bereit ist.

Während der Prüfung dürfen zu keinem Zeitpunkt Überschläge vorkommen.

Die Isolationsprüfung ist wie folgt durchzuführen:

Die beiden Steckerstifte des Netzsteckers kurzschließen und an den einen der beiden Eingänge des Isolationsprüfgeräts anschließen. Den anderen Eingang des Isolationsprüfgeräts an die Masse der Phonobuchse (LINE IN) anschließen.

### ACHTUNG!

Um Beschädigungen des Gerätes zu vermeiden, ist es wichtig, daß die beiden Eingänge des Isolationsprüfgerätes einen einwandfreien mechanischen Kontakt aufweisen.

Jetzt den Spannungsregler des Isolationsprüfgerätes langsam hinaufdrehen, bis eine Spannung von 1,5-2 kV erreicht wird. Diese Spannung ist 1 Sekunde lang aufrechtzuerhalten, wonach der Spannungsregler wieder langsam zurückgedreht wird.

## TEST D'ISOLEMENT

Il convient de vérifier le bon isolement de chaque appareil qui a été désassemblé. Le test s'effectue après avoir remonté l'appareil et avant de le remettre au client.

Le test ne doit pas faire apparaître de contournement!

Procéder au test comme suit:

Court-circuiter les deux broches de la fiche secteur. Les raccorder à l'une des bornes du testeur d'isolement. Raccorder la seconde borne à la masse de la douille phono (LINE IN).

### Attention!

Pour éviter tout endommagement de l'appareil, il est capital de s'assurer que les deux bornes du testeur d'isolement ait un contact irréprochable.

Tourner lentement le régulateur de tension du testeur jusqu'à obtenir une tension de 1,5 à 2 kV. Maintenir cette valeur durant une seconde, puis réduire progressivement la tension.





# BeoLab 6000

Type 6821, 6822, 6823, 6824, 6825

**PCB7 Power supply and amplifier**

**PCB8 Crossover network**

**From serial no. : 13252520**

Service Manual

Paste into Service Manual BeoLab 6000 (3538816)  
In Serviceanleitung BeoLab 6000 (3538816) einkleben  
A coller le Manual d'entretien pour BeoLab 6000 (3538816)

12-98

3538899

DIAGRAM E FOR CROSSOVER NETWORK

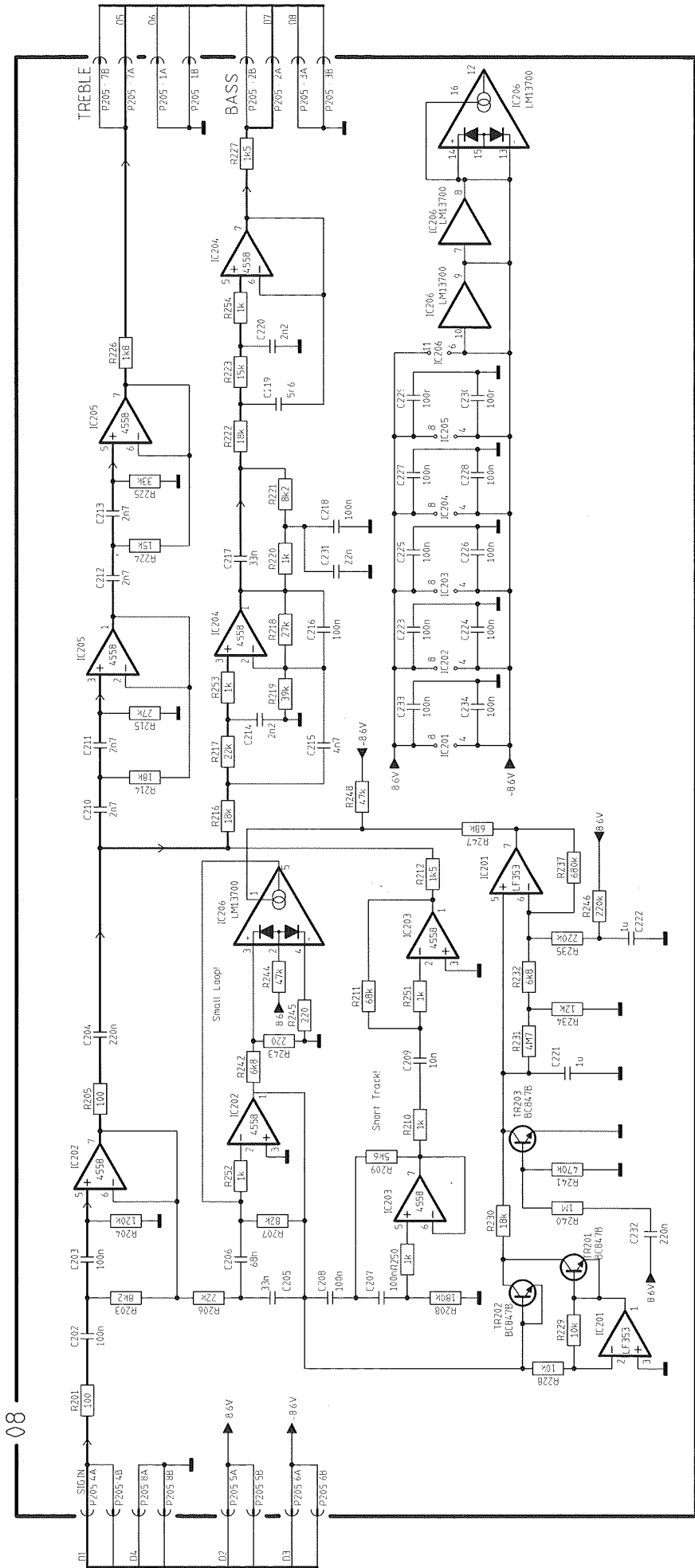
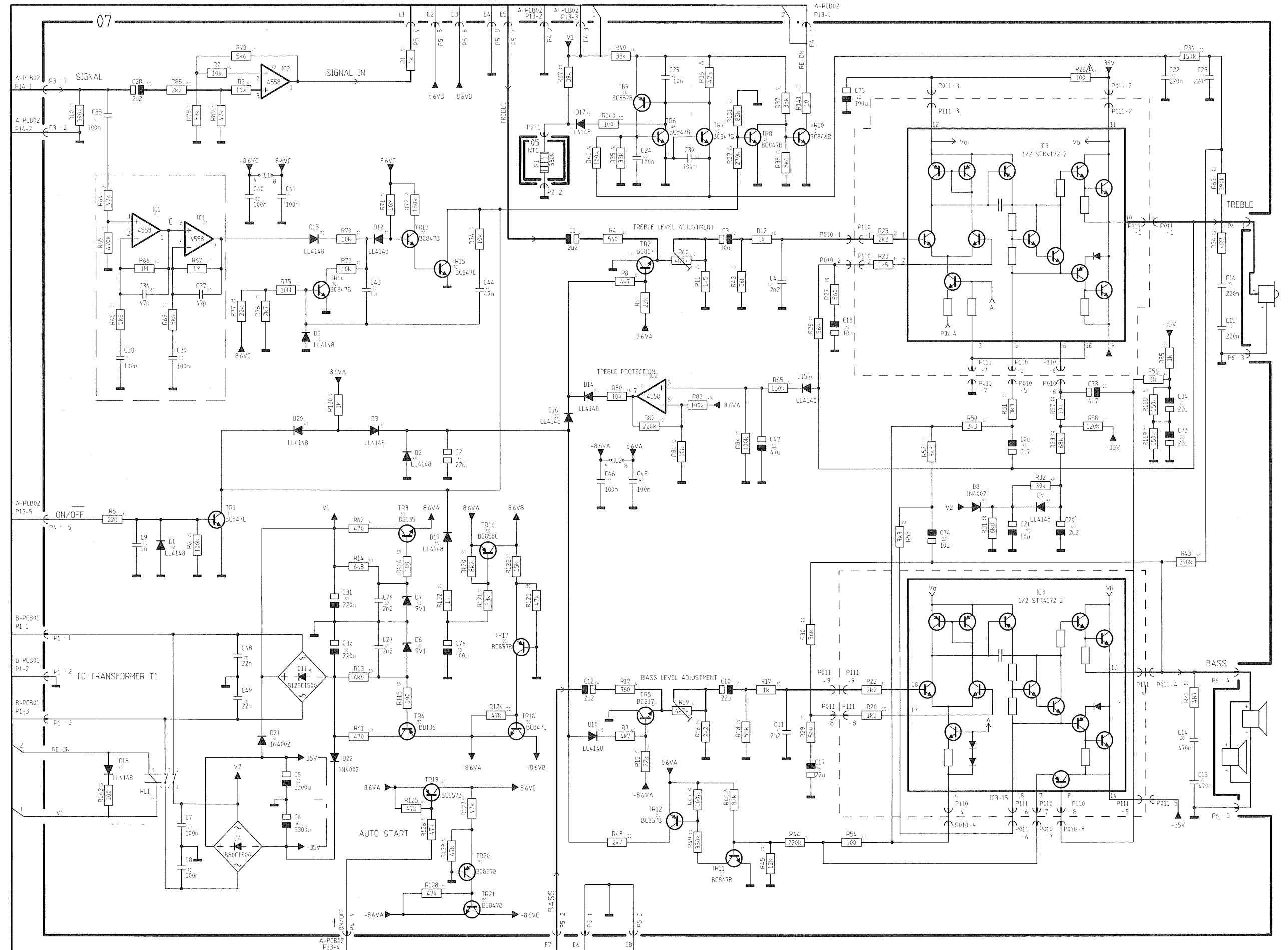
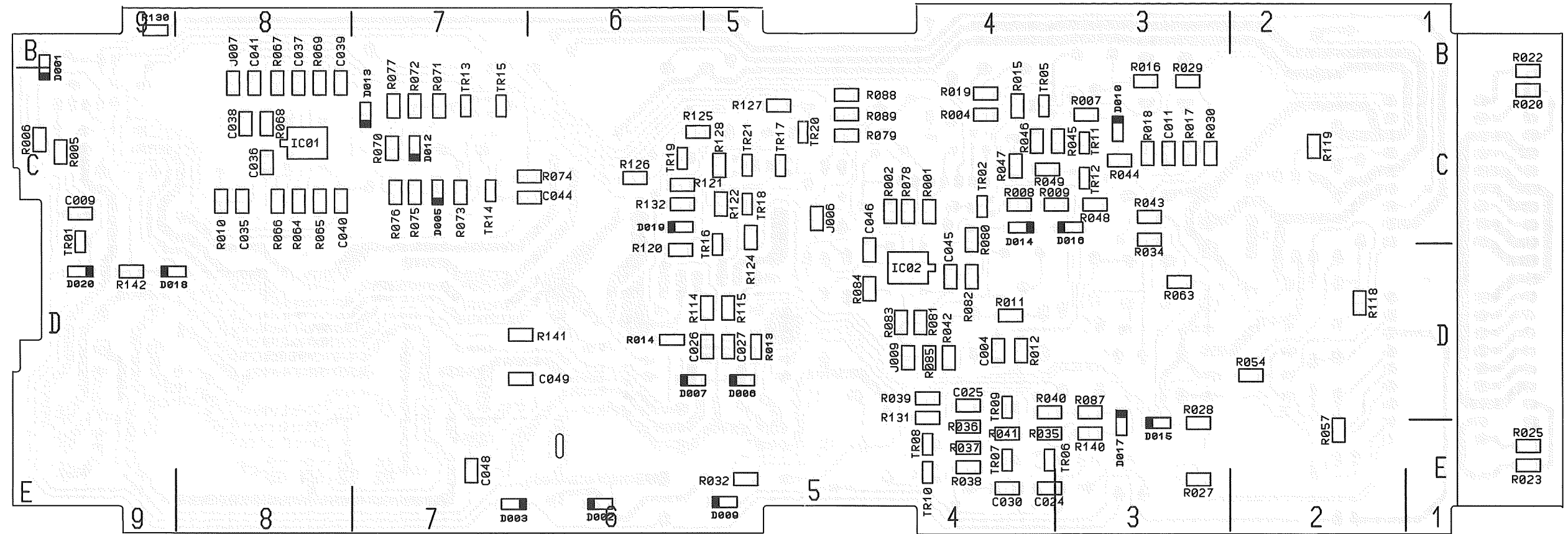


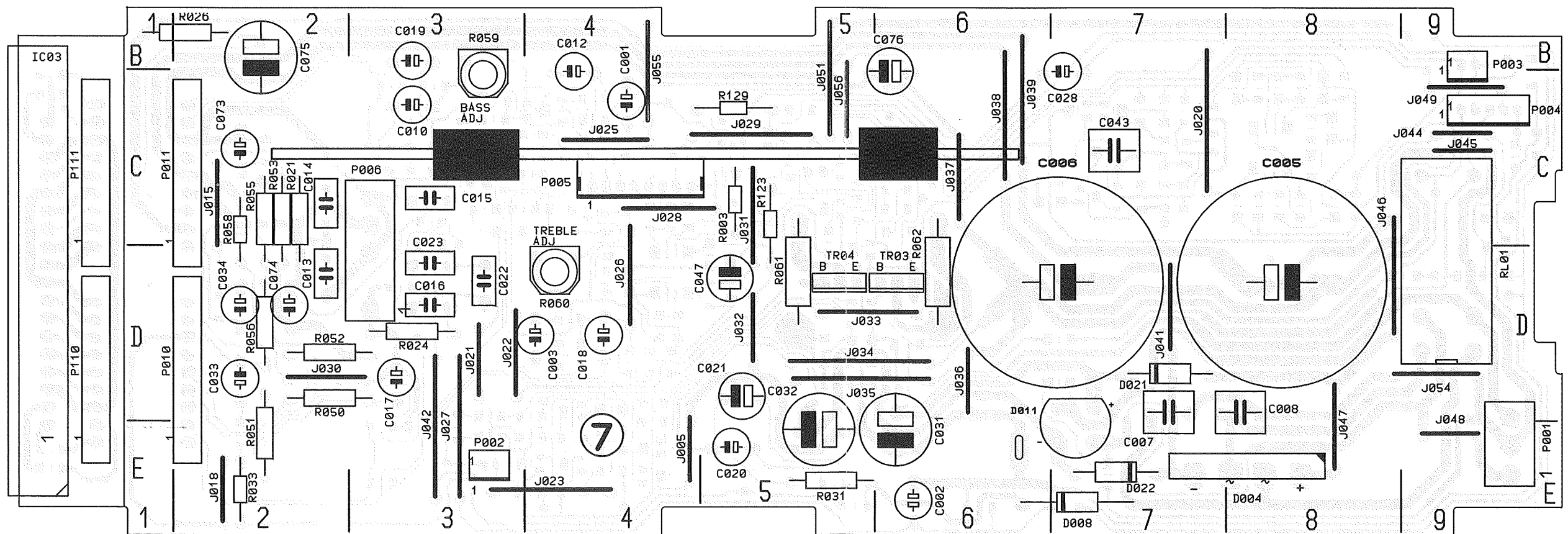
DIAGRAM D FOR POWER SUPPLY AND AMPLIFIER



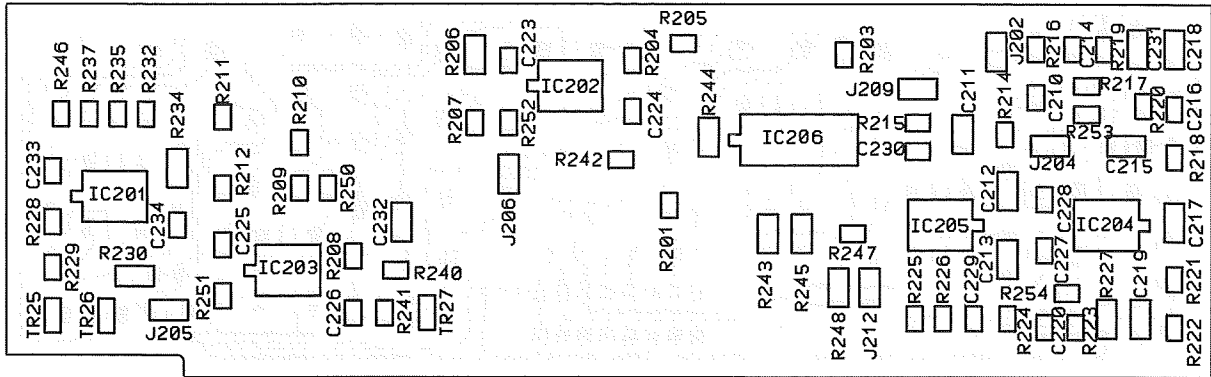
PCB7, POWER SUPPLY AND AMPLIFIER (from secondary side)



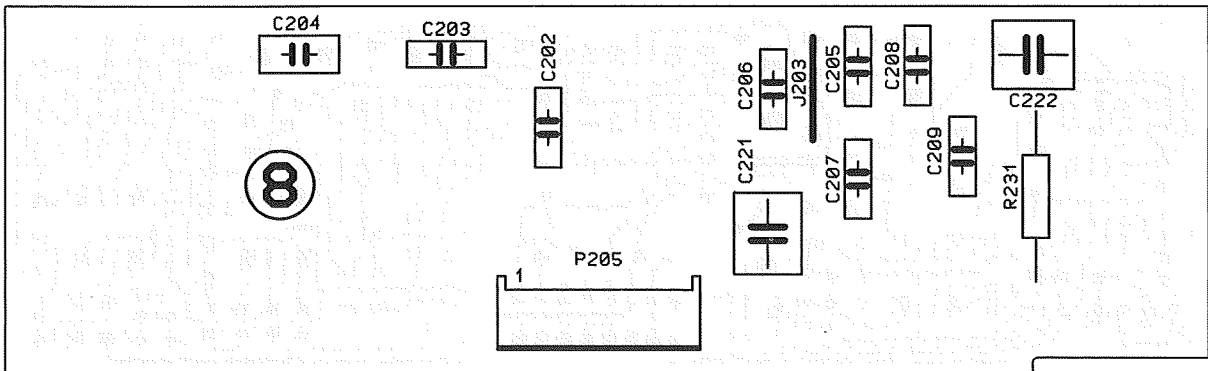
PCB7, POWER SUPPLY AND AMPLIFIER (from primary side)



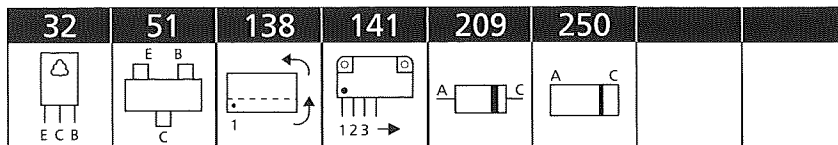
PCB8, CROSSOVER NETWORK (from secondary side)



PCB8, CROSSOVER NETWORK (from primary side)



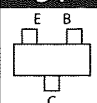
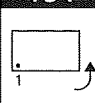
LIST OF ELECTRICAL PARTS



Resistors not referred to are standard, see page 16-7.  
 All other parts are identical with the service Manual 3538816 section 1 to 7.

**PCB7, 8006077 Power supply and amplifier**

IC1- IC2Δ	8341022	<b>138</b>	4558	IC3	8350091	<b>141</b>	Hybrid STK4172-2
TR1	8320936	<b>51</b>	BC847C	TR13-	8320755	<b>51</b>	BC847B
TR2	8320752	<b>51</b>	BC817-40	TR14			
TR3*	8320239	<b>32</b>	BD135	TR15	8320936	<b>51</b>	BC847C
TR4*	8320240	<b>32</b>	BD136	TR16	8320778	<b>51</b>	BC858C
TR5	8320752	<b>51</b>	BC817-40	TR17	8320811	<b>51</b>	BC857B
TR6-	8320755	<b>51</b>	BC847B	TR18	8320936	<b>51</b>	BC847C
TR8				TR19-	8320811	<b>51</b>	BC857B
TR9	8320811	<b>51</b>	BC857B	TR20			
TR10	8320816	<b>51</b>	BC846B	TR21	8320755	<b>51</b>	BC847B
TR11	8320755	<b>51</b>	BC847B				
TR12	8320811	<b>51</b>	BC857B				
D1-	8300482	<b>250</b>	LL4148	D9-	8300482	<b>250</b>	LL4148
D3				D10			
D4	8300497		KBU 6D	D11	8300466		125V 1.5A
D5	8300482	<b>250</b>	LL4148	D12-	8300482	<b>250</b>	LL4148
D6-	8300762	<b>250</b>	Z9.1V 2%	D20			
D7				D21-	8300023	<b>209</b>	1N 4002
D8	8300023	<b>209</b>	1N 4002	D22			
R13-	5012192		6.8kΩ 5% 1/4W	R59-	5370370		4.7kΩ 30% 0.1W
R14				R60			
R21	5010765		4.7Ω 1% 1/2W	R61-	5021605		470Ω 5% 1W
R24	5010765		4.7Ω 1% 1/2W	R62			
R26	5020159		100Ω 10% 0.3W	R81	5011241		10kΩ 5% 1/8W
R31	5011042		6.8kΩ 1% 1/2W	R82	5011261		220kΩ 5% 1/8W
R50-	5011037		3.3kΩ 1% 1/2W	R130	5011631		1kΩ 1% 1/4W
R53							
R55-	5011028		1kΩ 1% 1/2W				
R56							
C1	4200517		2.2μF 20% 50V	C24	4010166		100nF -20+80% 50V
C2	4200672		22μF 20% 16V	C25	4010176		10nF -20+80% 50V
C3	4200510		10μF 20% 16v	C26-	4010170		2.2nF 10% 50V
C4	4010170		2.2nF 10% 50V	C27			
C5-	4201139		3300μF 20% 50V	C28	4200517		2.2μF 20% 50V
C6				C30	4010166		100nF -20+80% 50V
C7-	4130103		100nF 20% 250V	C31-	4200858		220μF 20% 50V
C8				C32			
C9	4000345		1.0nF 5% 50V	C33	4200875		4.7μF 20% 100V
C10	4200525		22μF 20% 10V	C34	4200508		22μF 20% 25V
C11	4010170		2.2nF 10% 50V	C35	4010220		100nF 10% 50V
C12	4200517		2.2μF 20% 16V	C36-	4000234		47pF 5% 50V
C13-	4130234		470nF 10% 63V	C37			
C14				C38-	4010220		100nF 10% 50V
C15-	4130233		220nF 20% 63V	C39			
C16				C40-	4010166		100nF -20+80% 50V
C17	4200561		10μF 20% 50V	C41			
C18	4200510		10μF 20% 16V	C43	4130070		1μF 10% 50V
C19	4200508		22μF 20% 25V	C44	4010209		47nF 10% 50V
C20	4200517		2.2μF 20% 50V	C45-	4010166		100nF -20+80% 50V

<b>51</b>	<b>151</b>						
							

Resistors not referred to are standard, see page 16-7.  
 All other parts are identical with the service Manual 3538816 section 1 to 7.

C48-	4010216	22nF 10% 100V	C74	4200561	10µF 20% 50V
C49			C75	4201309	100µF 20% 63V
C73	4200508	22µF 20% 25V	C76	4200628	100µF 20% 16V
<hr/>					
RL1	7600110	Relay 36V			
<hr/>					
P1	7220185	Plug 3 pole	P4	7220712	Plug 5 pole
P2-	7220709	Plug 2 pole	P5	7220788	Plug 8 pole
P3			P6	7220206	Plug 5/4 pole

**Parts not shown**

P10-P11	7229142	Holder wire 9 pole	P110-P111	7229142	Holder wire 9 pole
---------	---------	--------------------	-----------	---------	--------------------

**PCB8, 8006076 Crossover network**

IC201Δ	8341033	<b>151</b> LF353	IC206Δ	8341411	<b>151</b> LM13700
IC202-	8341022	<b>151</b> 4558			
IC205Δ					
<hr/>					
TR201-	8320755	<b>51</b> BC847B			
TR203					
<hr/>					
R231	5010770	4.7MΩ 1% 1/2W			
<hr/>					
C202-	4130306	100µF 10% 63V	C216	4010274	100nF -20+80% 25V
C203			C217	4010175	33nF 10% 50V
C204	4130308	220nF 10% 63V	C218	4010220	100nF 10% 50V
C205	4130305	33nF 10% 63V	C219	4001157	5.6nF 5% 50V
C206	4130231	68nF 10% 63V	C220	4000442	2.2nF 5% 50V
C207-	4130306	100nF 10% 63V	C221-	4130070	1µF 10% 50V
C208			C222		
C209	4130265	10nF 10% 63V	C223-	4010274	100nF -20+80% 25V
C210	4001148	2.7nF 5% 50V	C230		
C211-	4010195	2.7nF 55 50V	C231	4010216	22nF 10% 100V
C213			C232	4000287	22nF -20+80% 25V
C214	4000442	2.2nF 5% 50V	C233-	4010274	100nF -20+80% 25V
C215	4001098	4.7nF 5% 50V	C234		
<hr/>					
P205	7210768	Socket 8 pole			
<hr/>					
J60-	6200279	Wire flat 80 mm 9 pol.			
J61					

Δ indicates that static electricity may destroy the component.

