

BLOCK DIAGRAM

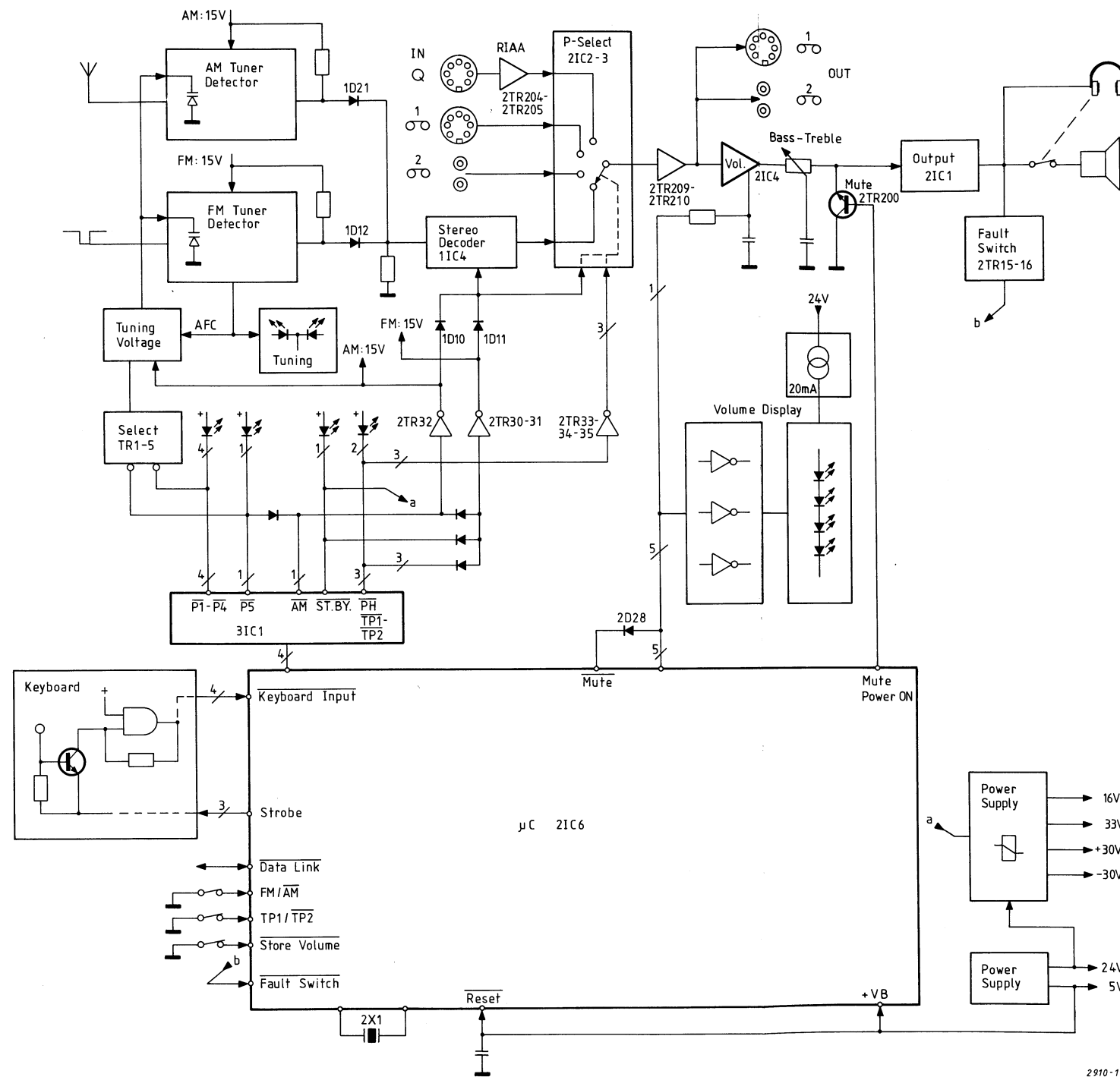
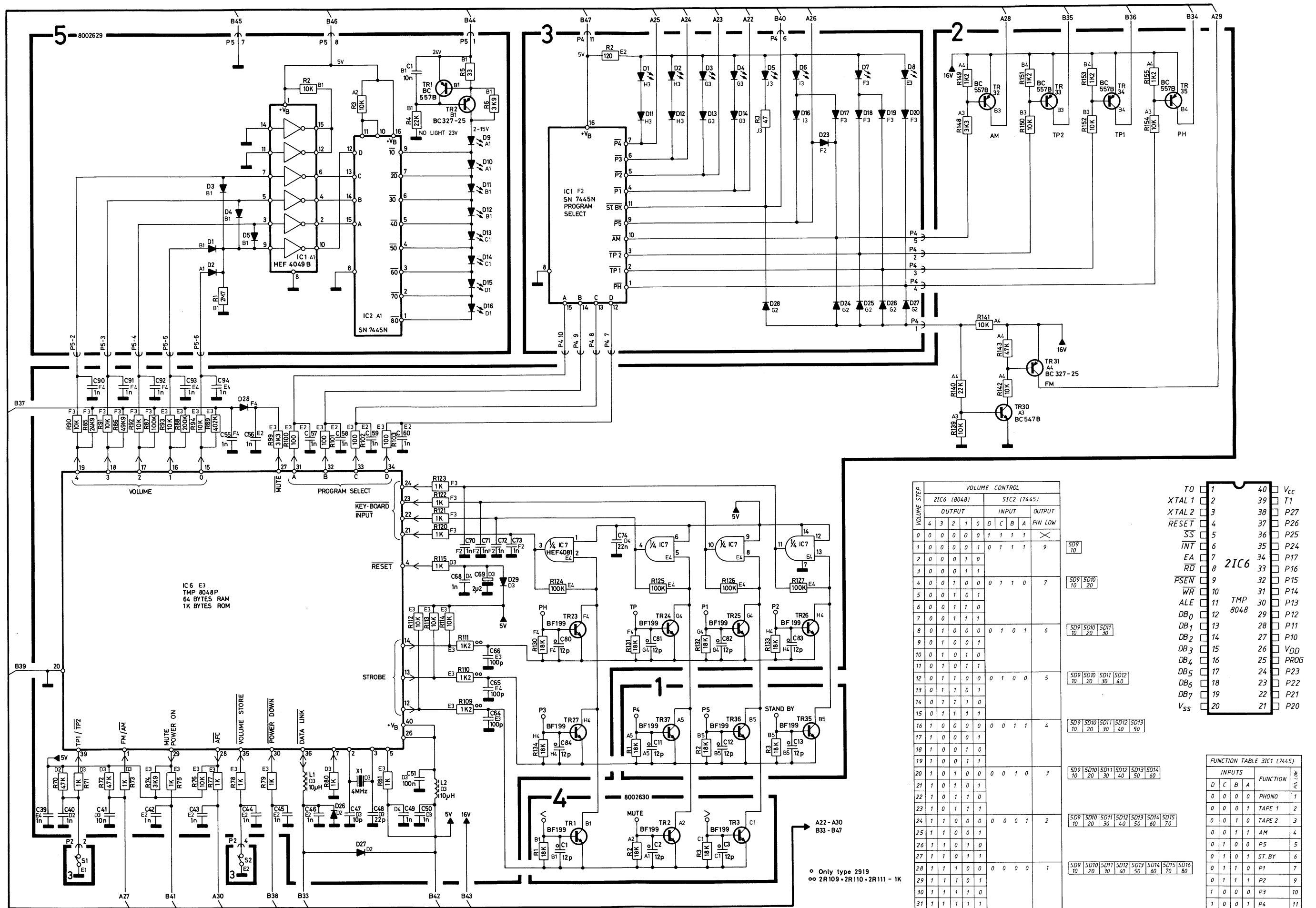
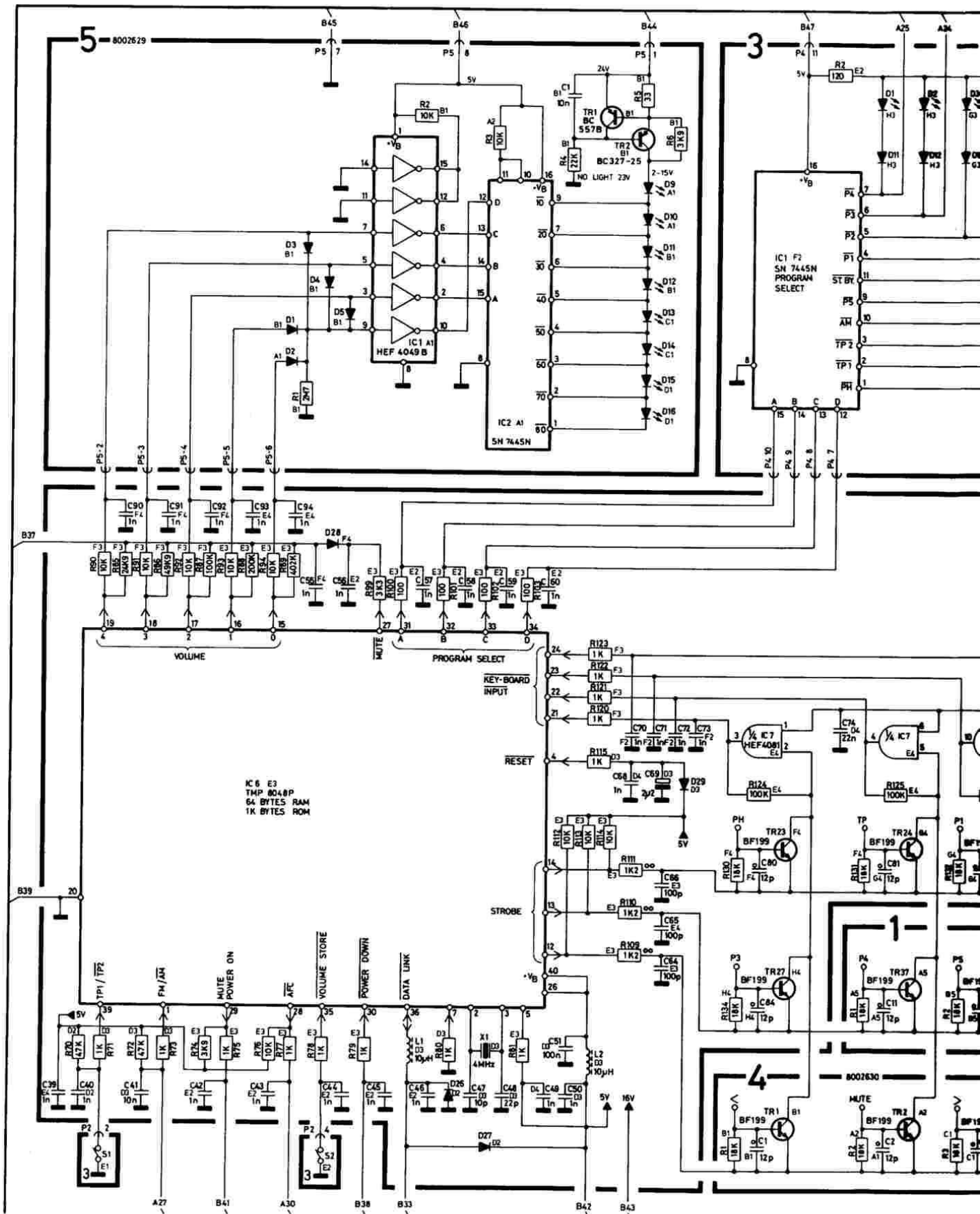


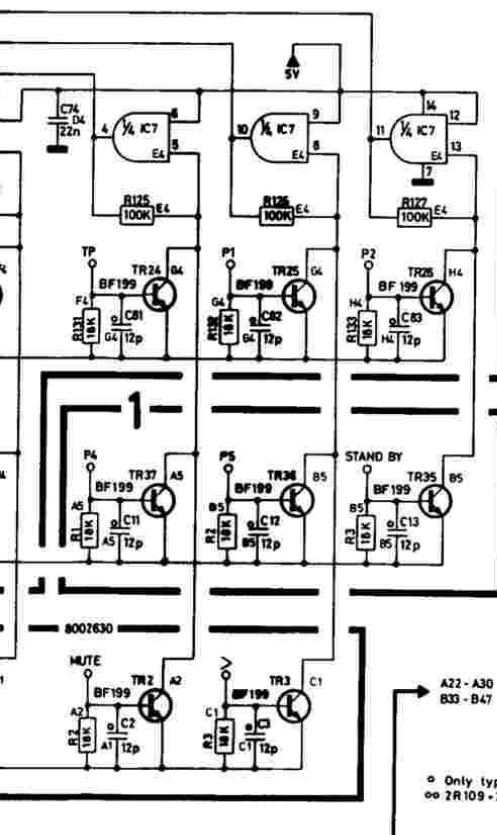
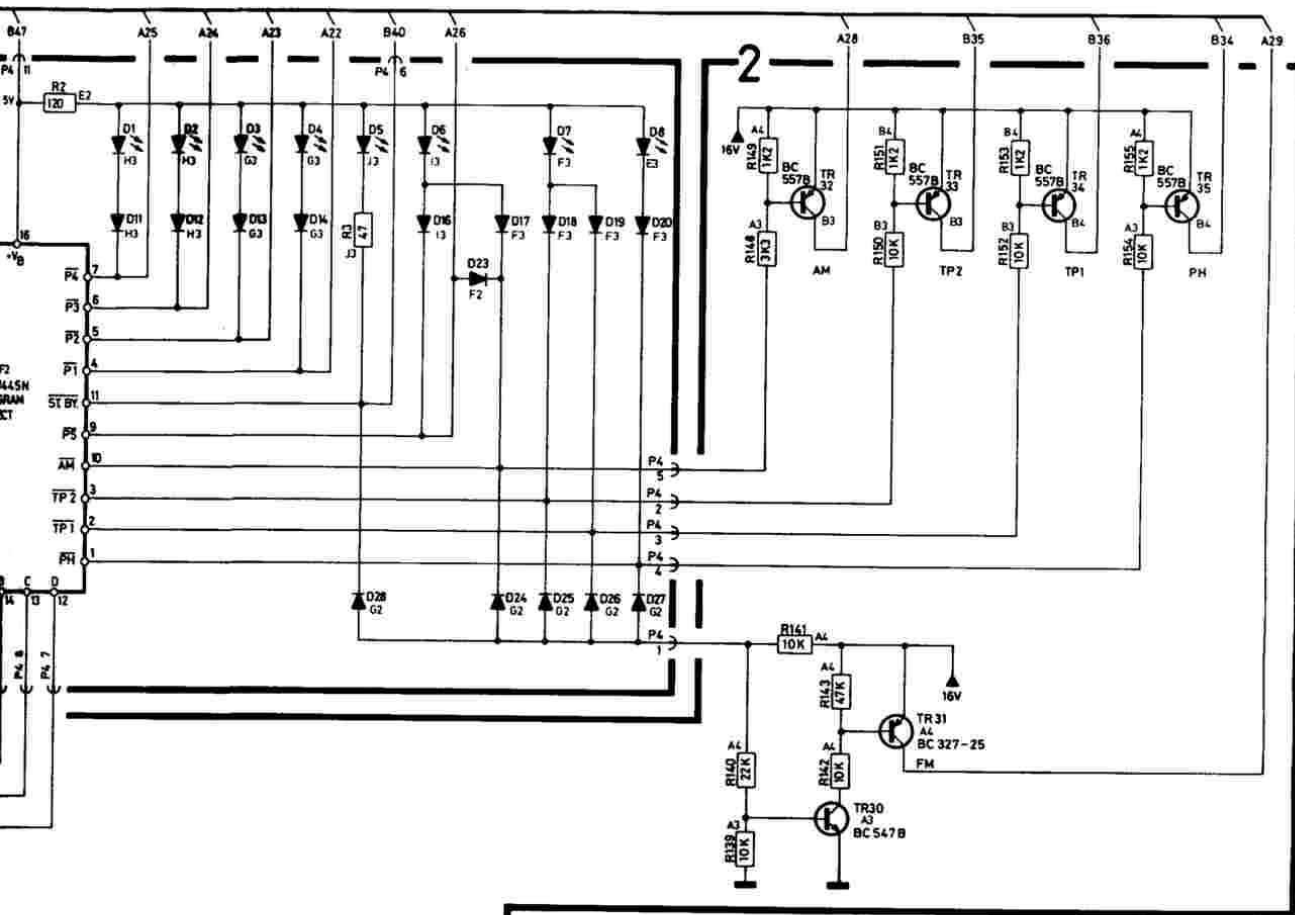
DIAGRAM C, all types



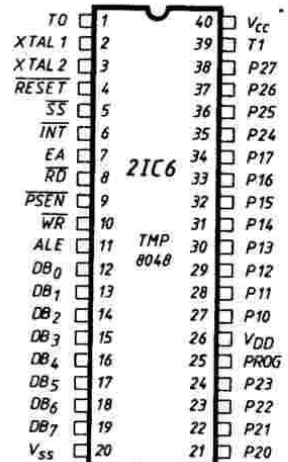
1-10

DIAGRAM C, all types

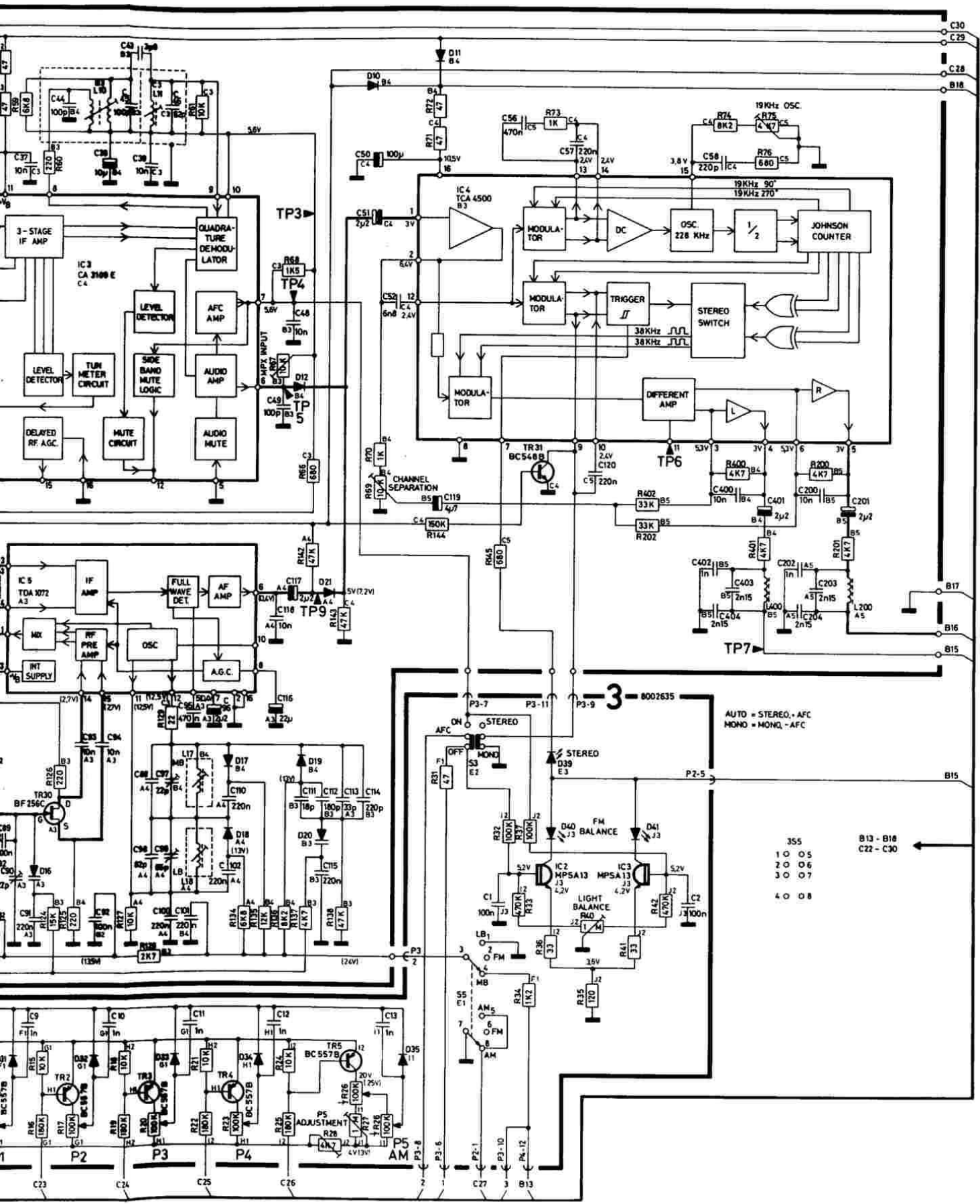




VOLUME STEP	VOLUME CONTROL									
	21C6 (8048)					51C2 (7445)				
	4	3	2	1	0	D	C	B	A	OUTPUT
0	0	0	0	0	0	1	1	1	1	×
1	0	0	0	0	1	0	1	1	1	9
2	0	0	0	1	0					
3	0	0	0	1	1					
4	0	0	1	0	0	0	1	1	0	7
5	0	0	1	0	1					
6	0	0	1	1	0					
7	0	0	1	1	1					
8	0	1	0	0	0	0	1	0	1	6
9	0	1	0	0	1					
10	0	1	0	1	0					
11	0	1	0	1	1					
12	0	1	1	0	0	0	1	0	0	5
13	0	1	1	0	1					
14	0	1	1	1	0					
15	0	1	1	1	1					
16	1	0	0	0	0	0	0	1	1	4
17	1	0	0	0	1					
18	1	0	0	1	0					
19	1	0	0	1	1					
20	1	0	1	0	0	0	0	1	0	3
21	1	0	1	0	1					
22	1	0	1	1	0					
23	1	0	1	1	1					
24	1	1	0	0	0	0	0	0	1	2
25	1	1	0	0	1					
26	1	1	0	1	0					
27	1	1	0	1	1					
28	1	1	1	0	0	0	0	0	0	1
29	1	1	1	0	1					
30	1	1	1	1	0					



FUNCTION TABLE 31C1 (7445)					
INPUTS				FUNCTION	8
D	C	B	A		E
0	0	0	0	PHONO	1
0	0	0	1	TAPE 1	2
0	0	1	0	TAPE 2	3
0	0	1	1	AM	4
0	1	0	0	PS	5
0	1	0	1	ST BY	6
0	1	1	0	P1	7
0	1	1	1	P2	9
1	0	0	0	P3	10

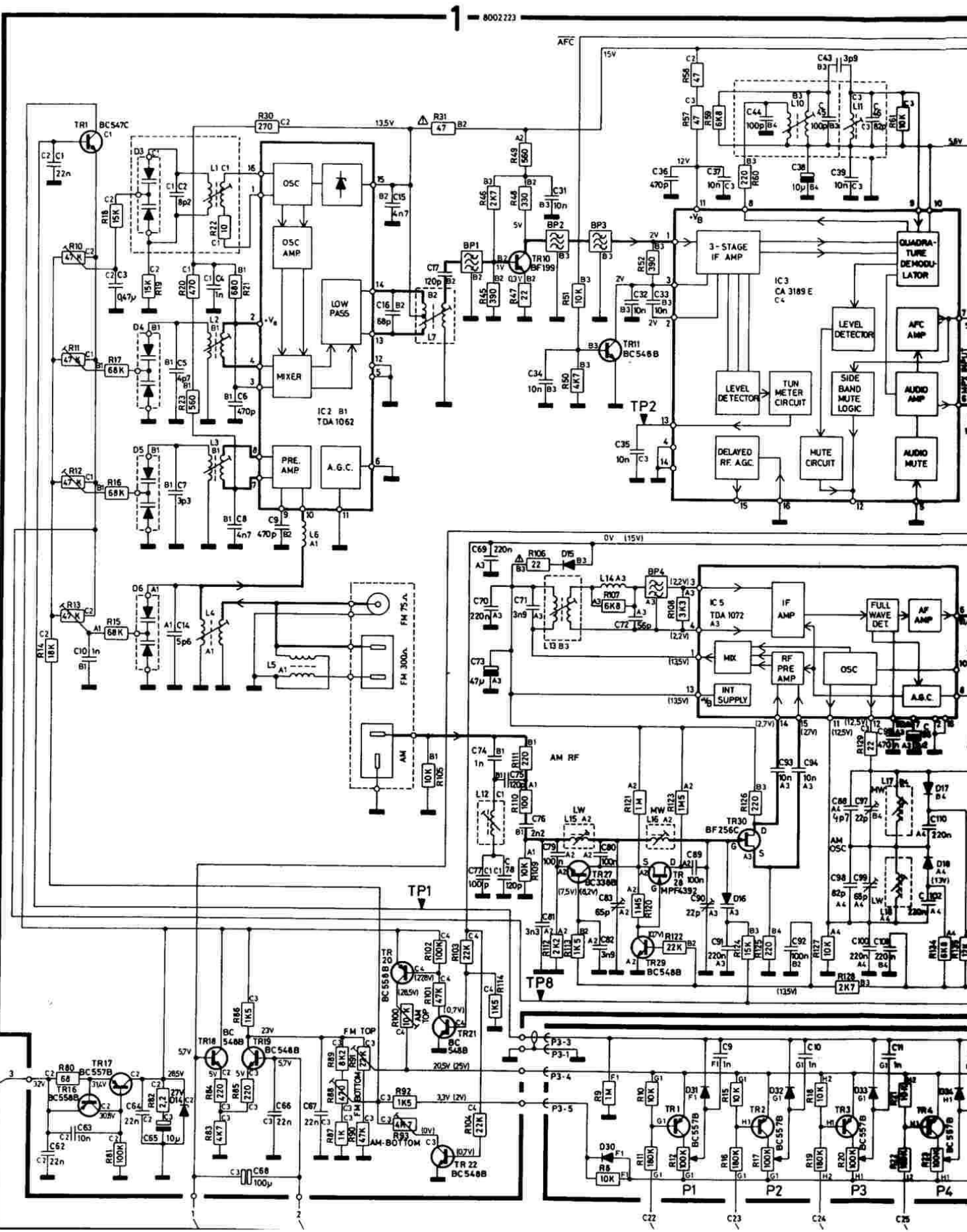


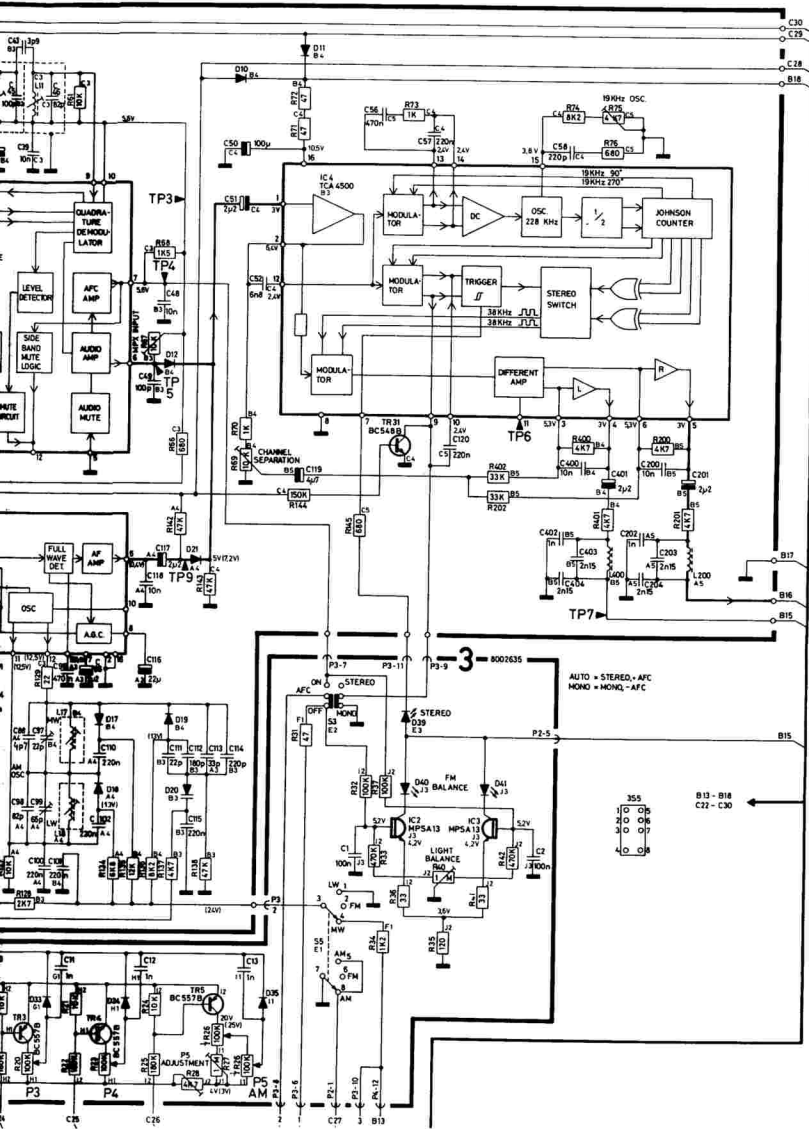
AUTO = STEREO - AFC
MONO = MONO - AFC

- 355
- 1 0 0 5
- 2 0 0 6
- 3 0 0 7
- 4 0 0 8

B13 - B18
C22 - C30

DIAGRAM A, type 2912/15/17 From serial no. 2930001





Bang & Olufsen

DIAGRAM B, all types

