

## BLOCK DIAGRAM

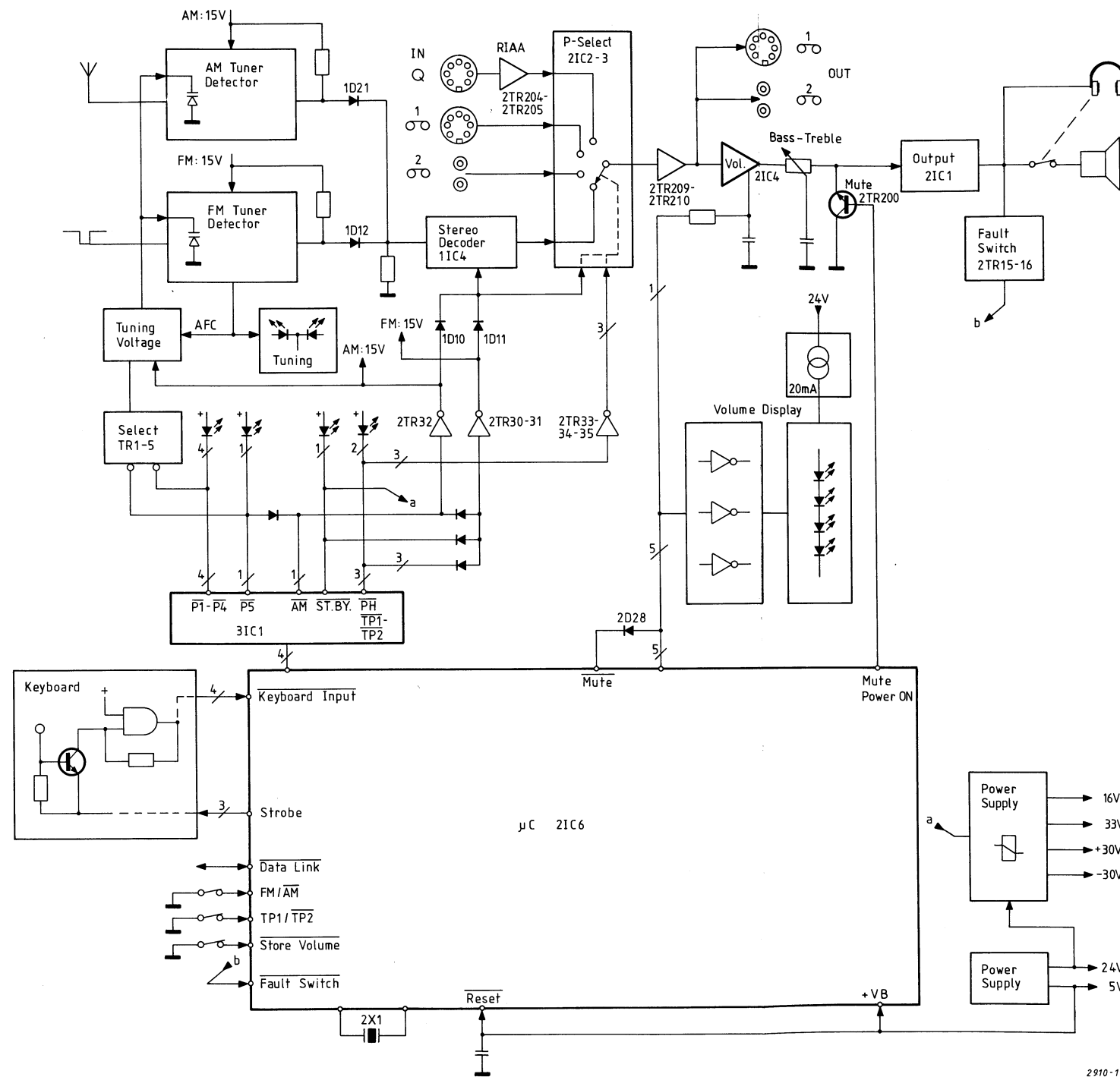
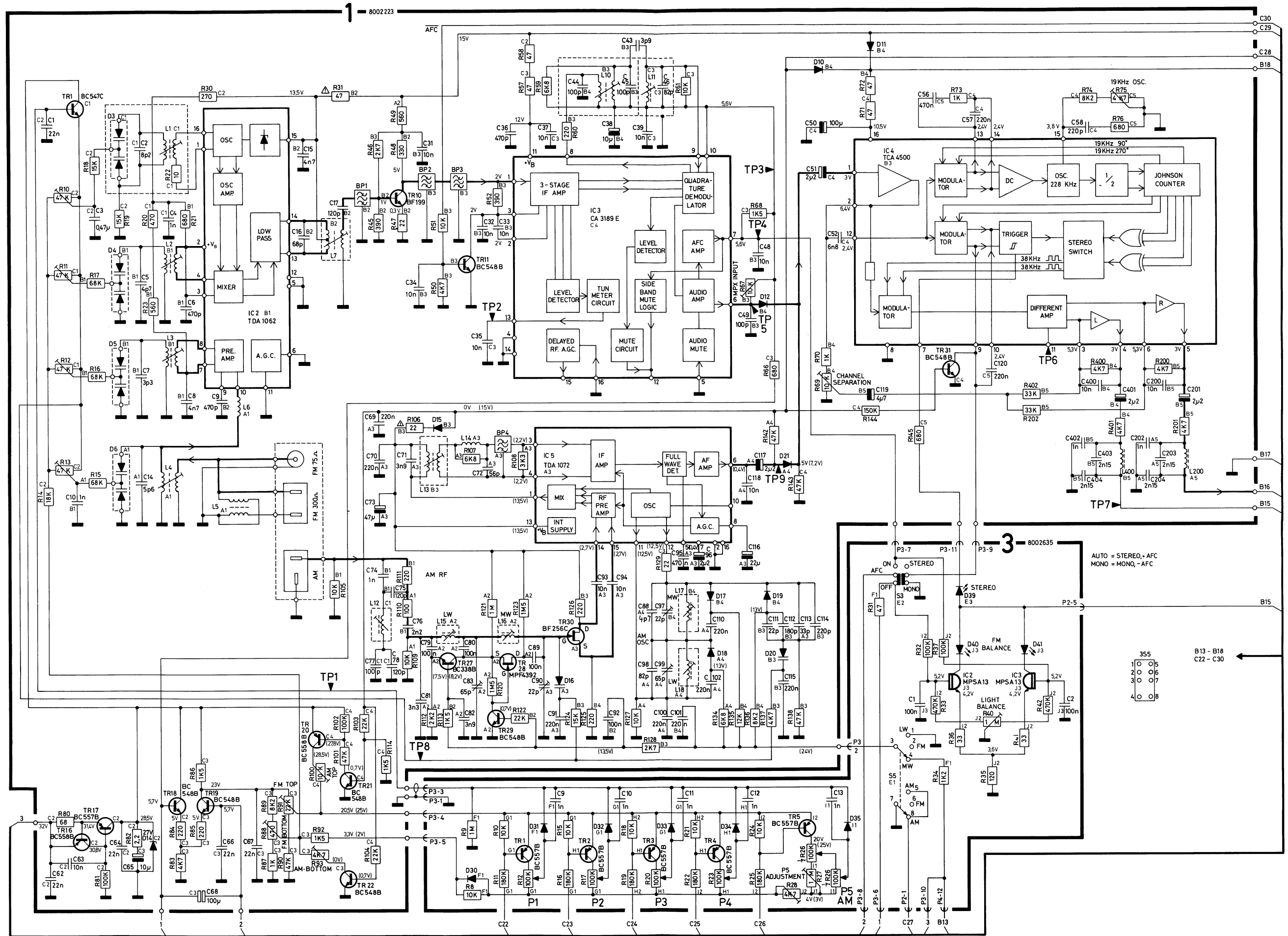


DIAGRAM A, type 2912/15/17 From serial no. 2930001



# Bang & Olufsen BEOMASTER 2000

DIAGRAM B, all types

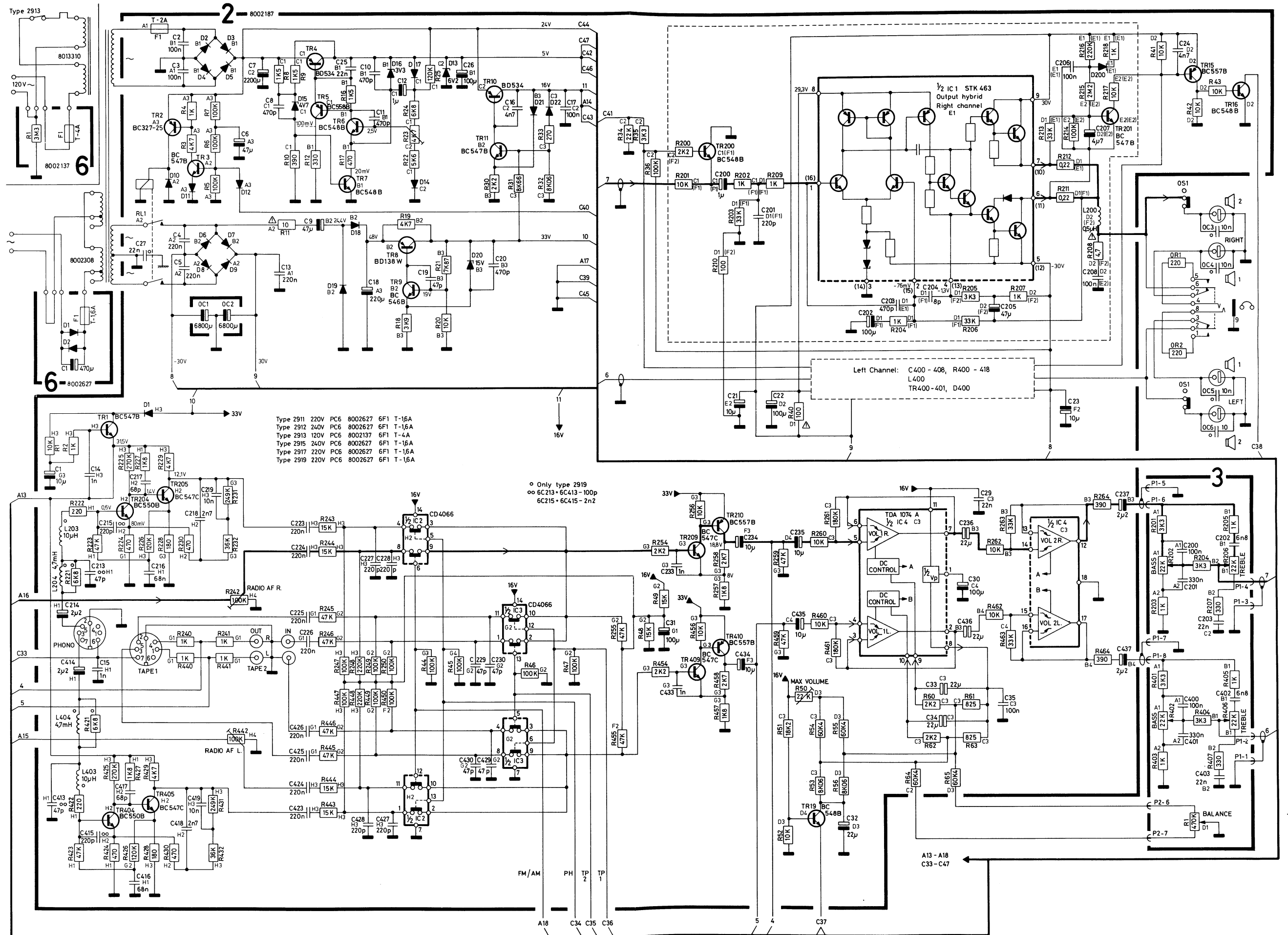
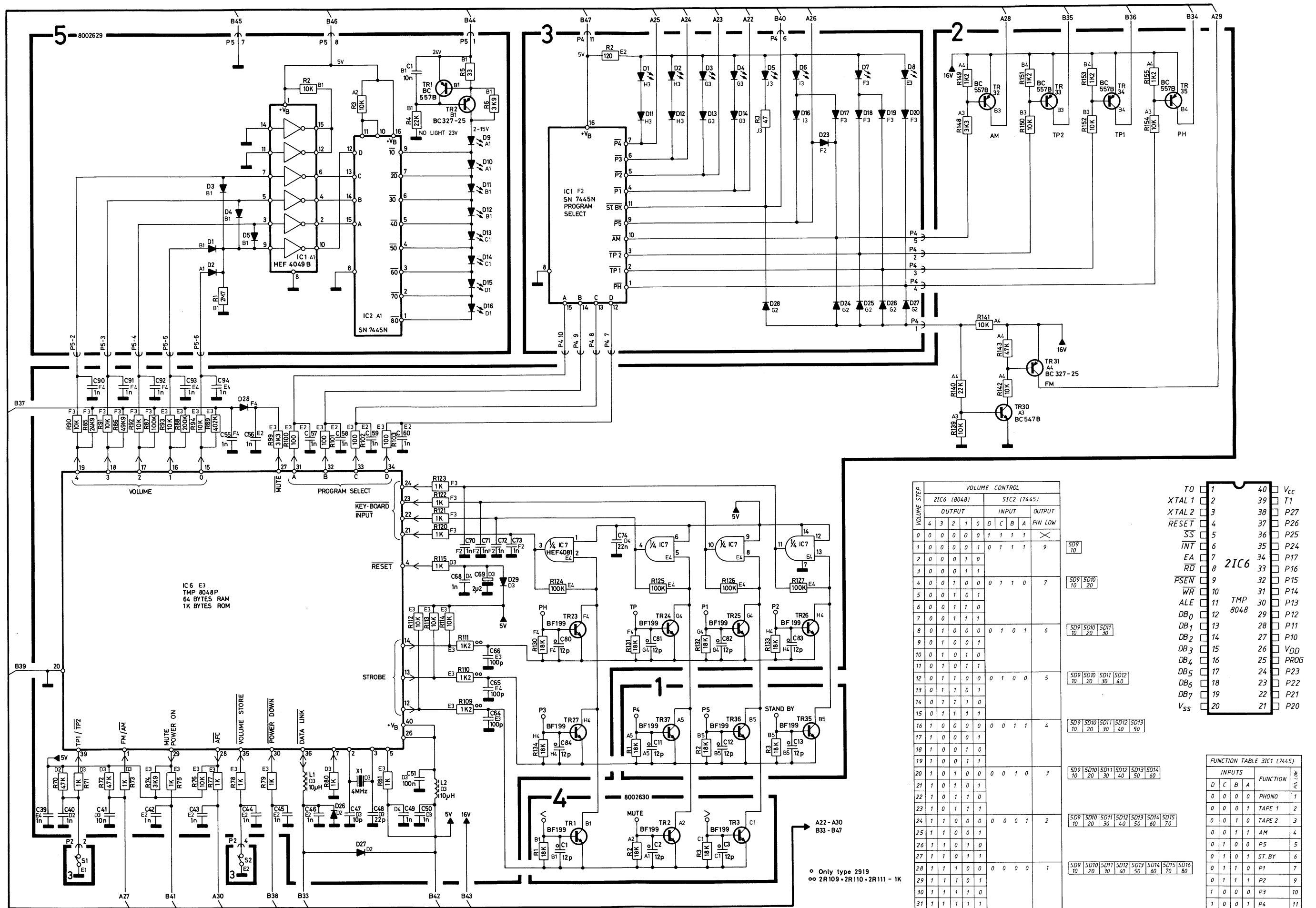


DIAGRAM C, all types

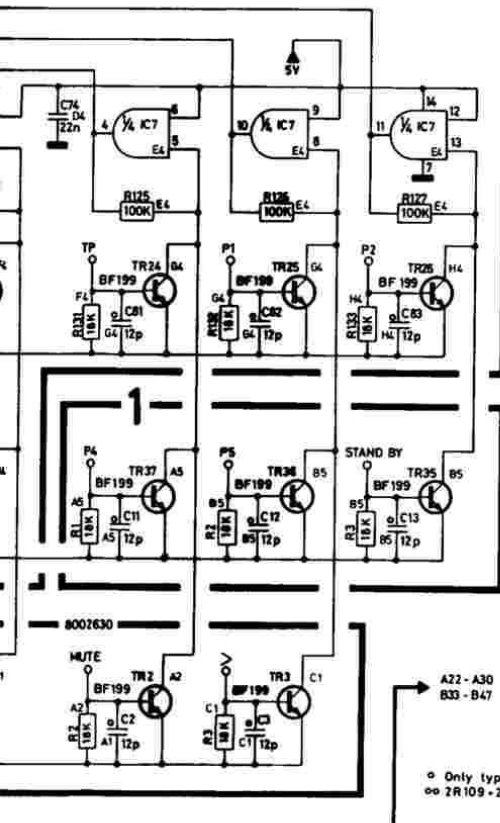
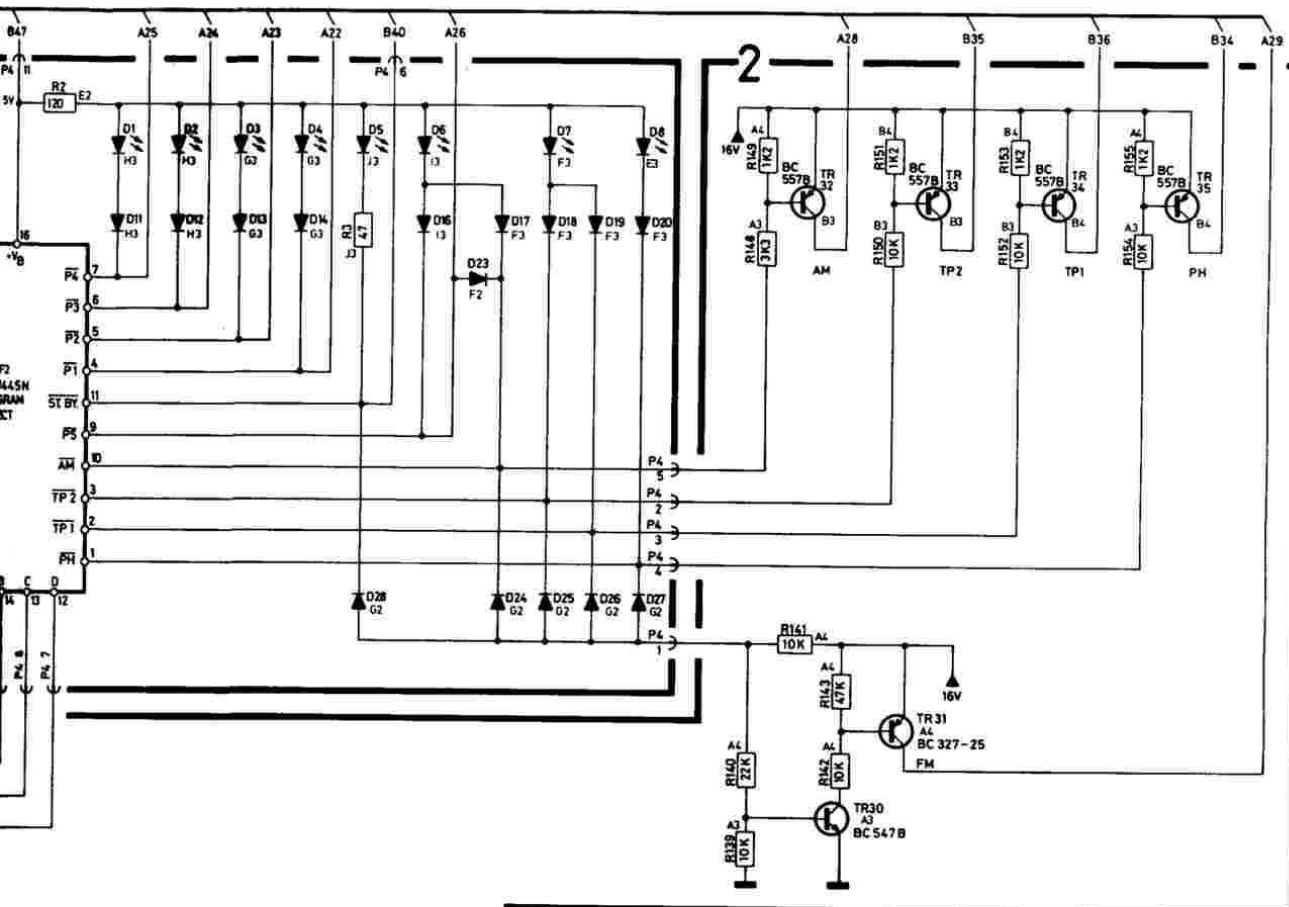


VOLUME STEP	2IC6 (8048)				5IC2 (7445)				OUTPUT	
	4	3	2	1	0	D	C	B		A
0	0	0	0	0	0	1	1	1	1	×
1	0	0	0	0	1	0	1	1	1	9
2	0	0	0	1	0	0	1	1	1	
3	0	0	0	1	1	0	0	1	1	
4	0	0	1	0	0	0	1	1	0	7
5	0	0	1	0	1	0	0	1	1	
6	0	0	1	1	0	0	0	1	1	
7	0	0	1	1	1	0	0	0	1	
8	0	1	0	0	0	0	1	0	1	6
9	0	1	0	0	1	0	0	0	1	
10	0	1	0	0	1	0	1	0	0	
11	0	1	0	1	1	0	0	0	0	
12	0	1	1	0	0	0	1	0	0	5
13	0	1	1	0	1	0	0	0	0	
14	0	1	1	1	0	0	0	0	0	
15	0	1	1	1	1	0	0	0	0	
16	1	0	0	0	0	0	0	1	1	4
17	1	0	0	0	1	0	0	0	0	
18	1	0	0	0	1	0	0	0	0	
19	1	0	0	1	0	0	0	0	0	
20	1	0	1	0	0	0	0	1	0	3
21	1	0	1	0	1	0	0	0	0	
22	1	0	1	1	0	0	0	0	0	
23	1	0	1	1	1	0	0	0	0	
24	1	1	0	0	0	0	0	0	1	2
25	1	1	0	0	1	0	0	0	0	
26	1	1	0	1	0	0	0	0	0	
27	1	1	0	1	1	0	0	0	0	
28	1	1	1	0	0	0	0	0	0	1
29	1	1	1	0	1	0	0	0	0	
30	1	1	1	1	0	0	0	0	0	
31	1	1	1	1	1	0	0	0	0	

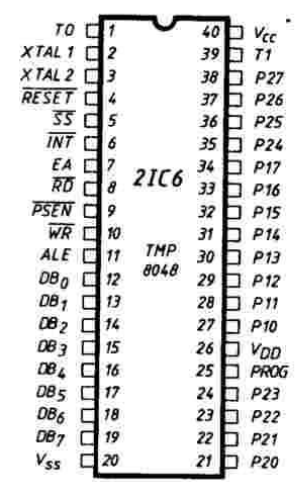
FUNCTION TABLE 3IC1 (7445)		PIN LOW
INPUTS		
D	C B A	FUNCTION
0	0 0 0	PHONO 1
0	0 0 1	TAPE 1 2
0	0 1 0	TAPE 2 3
0	0 1 1	AM 4
0	1 0 0	P5 5
0	1 0 1	ST. BY 6
0	1 1 0	P1 7
0	1 1 1	P2 9
1	0 0 0	P3 10
1	0 0 1	P4 11

Only type 2919  
2R109 • 2R110 • 2R111 - 1K





VOLUME STEP	VOLUME CONTROL										
	21C6 (8048)					51C2 (7445)					
	4	3	2	1	0	INPUT	D	C	B	A	OUTPUT
0	0	0	0	0	0	0	1	1	1	1	×
1	0	0	0	0	1	0	1	1	1	1	9
2	0	0	0	1	0						
3	0	0	0	1	1						
4	0	0	1	0	0	0	1	1	0	0	7
5	0	0	1	0	1						
6	0	0	1	1	0						
7	0	0	1	1	1						
8	0	1	0	0	0	0	1	0	0	1	6
9	0	1	0	0	1						
10	0	1	0	1	0						
11	0	1	0	1	1						
12	0	1	1	0	0	0	1	0	0	0	5
13	0	1	1	0	1						
14	0	1	1	1	0						
15	0	1	1	1	1						
16	1	0	0	0	0	0	0	1	1	1	4
17	1	0	0	0	1						
18	1	0	0	1	0						
19	1	0	0	1	1						
20	1	0	1	0	0	0	0	1	0	0	3
21	1	0	1	0	1						
22	1	0	1	1	0						
23	1	0	1	1	1						
24	1	1	0	0	0	0	0	0	1	1	2
25	1	1	0	0	1						
26	1	1	0	1	0						
27	1	1	0	1	1						
28	1	1	1	0	0	0	0	0	0	0	1
29	1	1	1	0	1						
30	1	1	1	1	0						

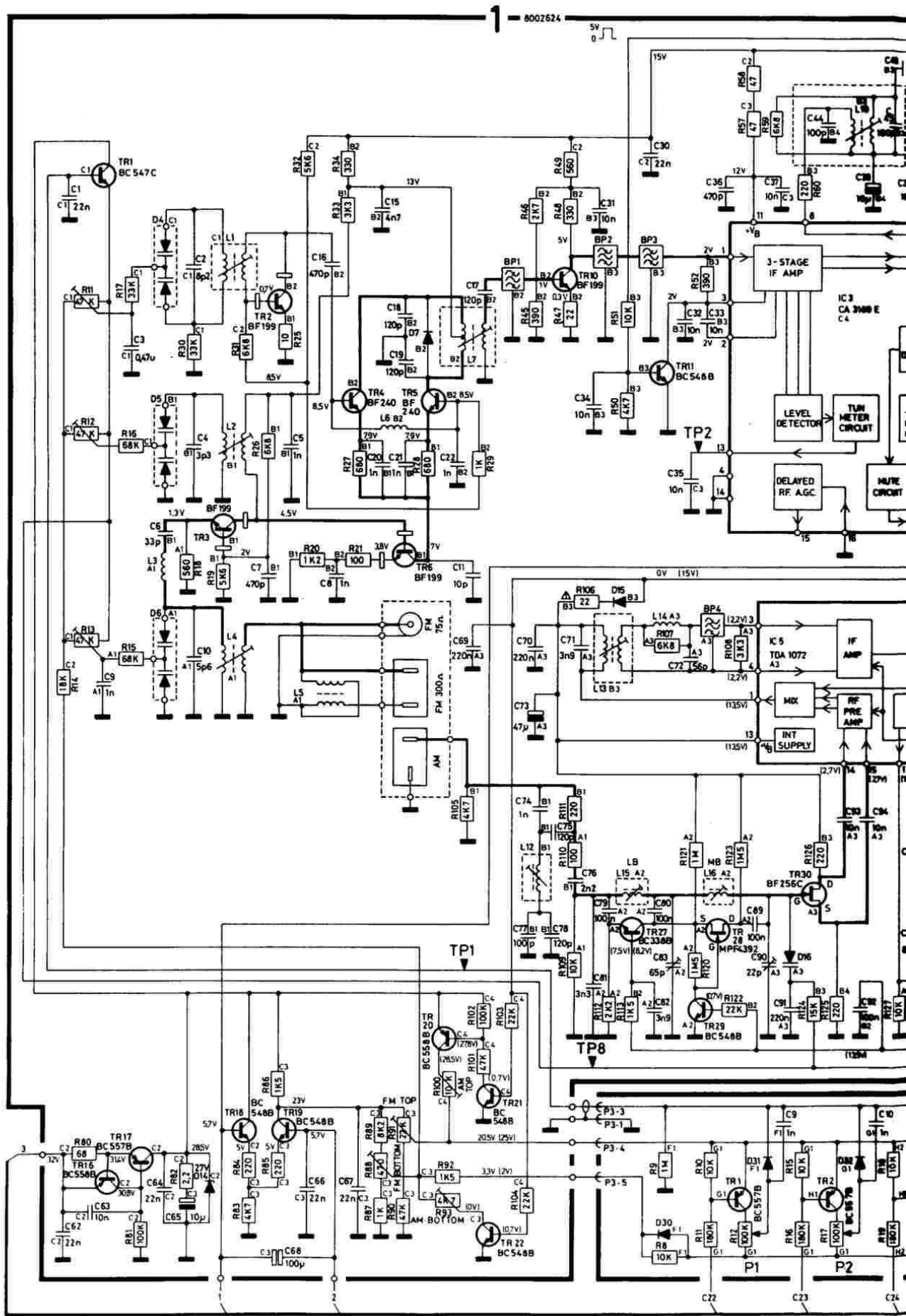


INPUTS				FUNCTION	8
D	C	B	A		E
0	0	0	0	PHONO	1
0	0	0	1	TAPE 1	2
0	0	1	0	TAPE 2	3
0	0	1	1	AM	4
0	1	0	0	PS	5
0	1	0	1	ST BY	6
0	1	1	0	P1	7
0	1	1	1	P2	9
1	0	0	0	P3	10

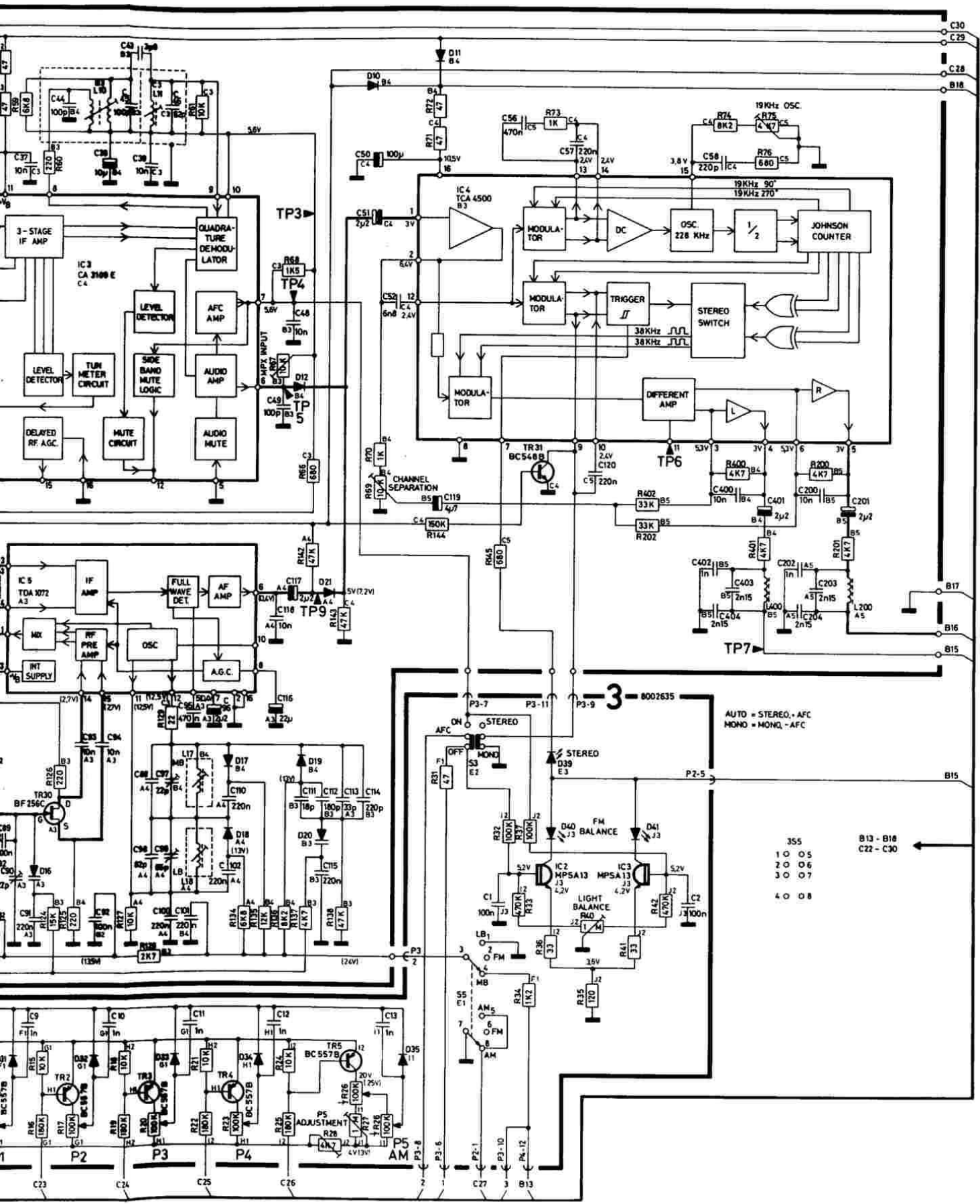
○ Only type 2919  
 ∞ 2R109 - 2R110 - 2R111 - 1K

# Bang & Olufsen 1-5

DIAGRAM A, type 2912/17 Before serial no. 2930001







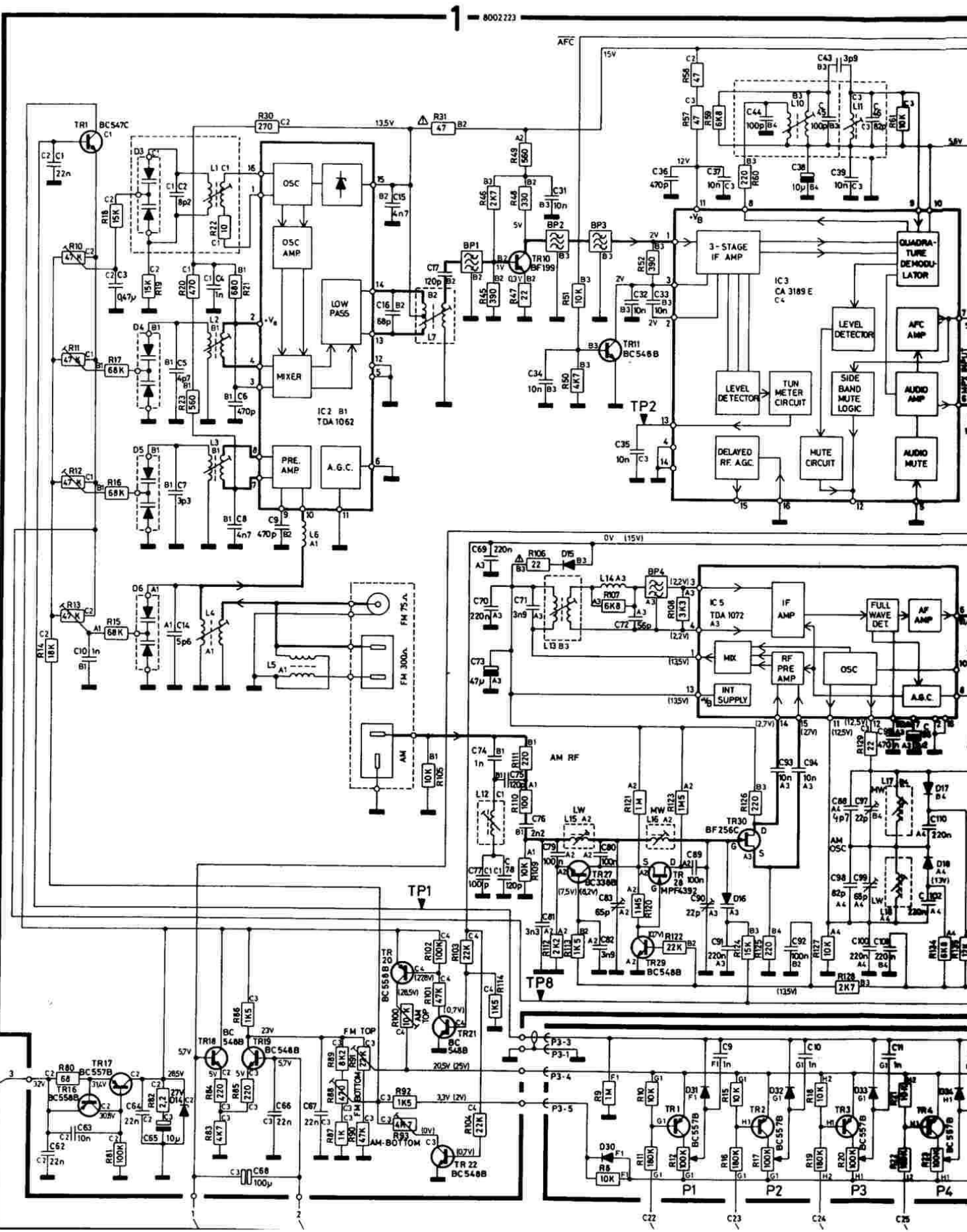
AUTO = STEREO - AFC  
MONO = MONO - AFC

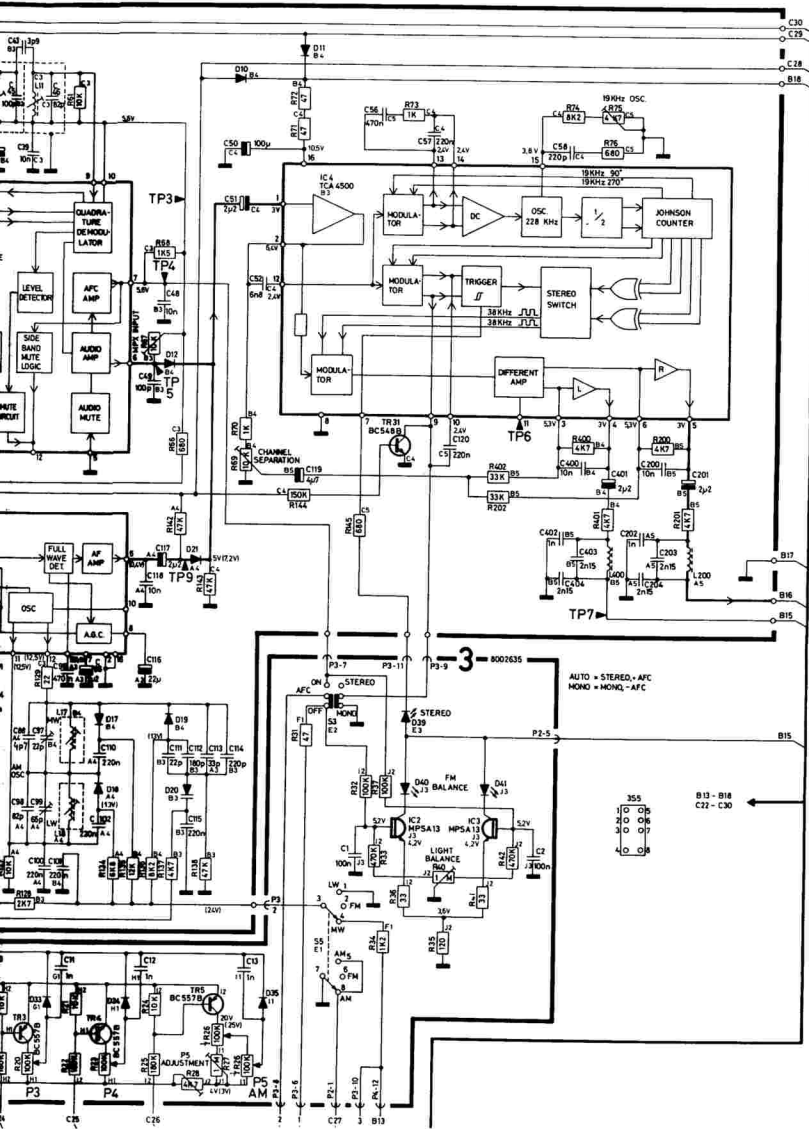
- 355
- 1 0 0 5
- 2 0 0 6
- 3 0 0 7
- 4 0 0 8

B13 - B18  
C22 - C30

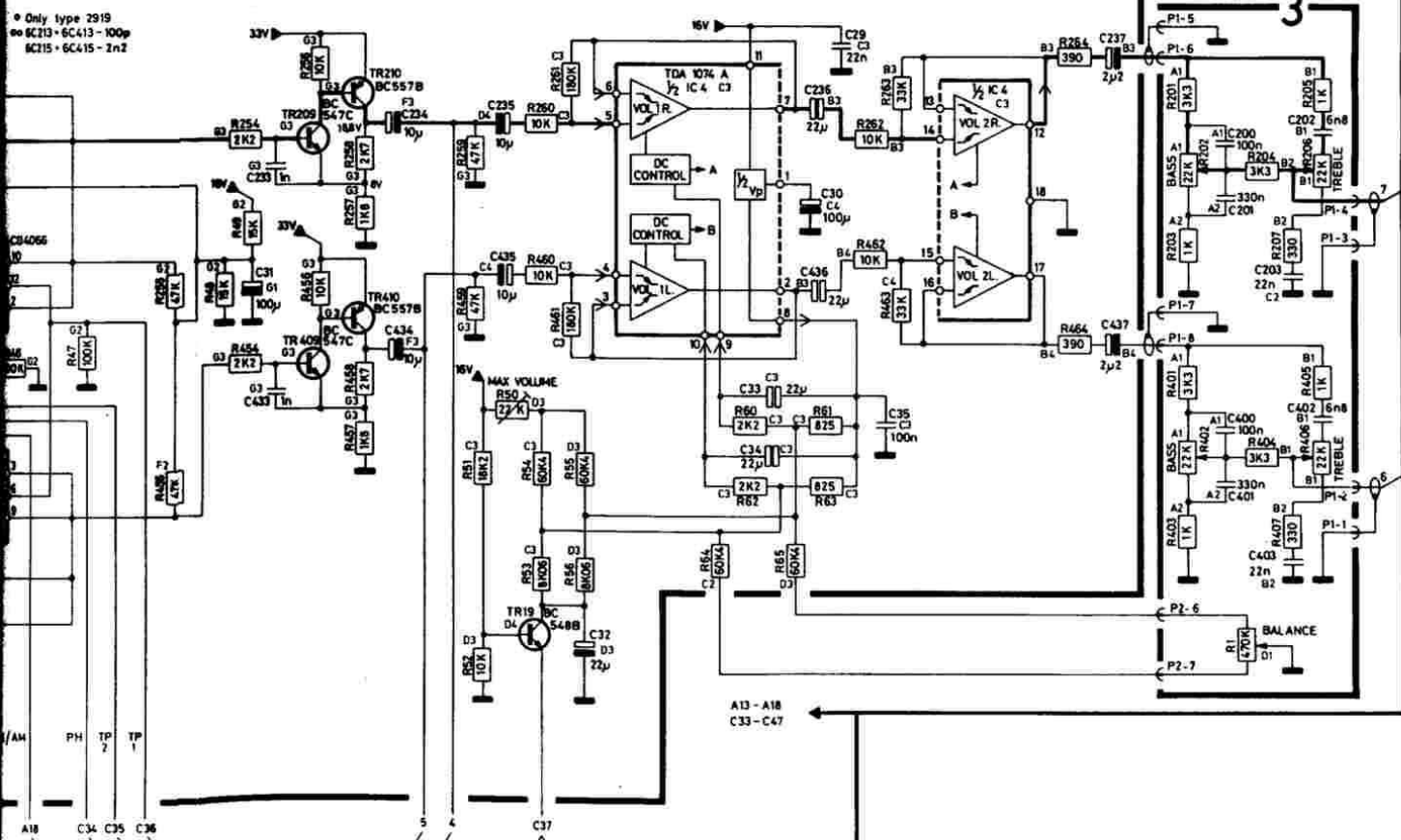
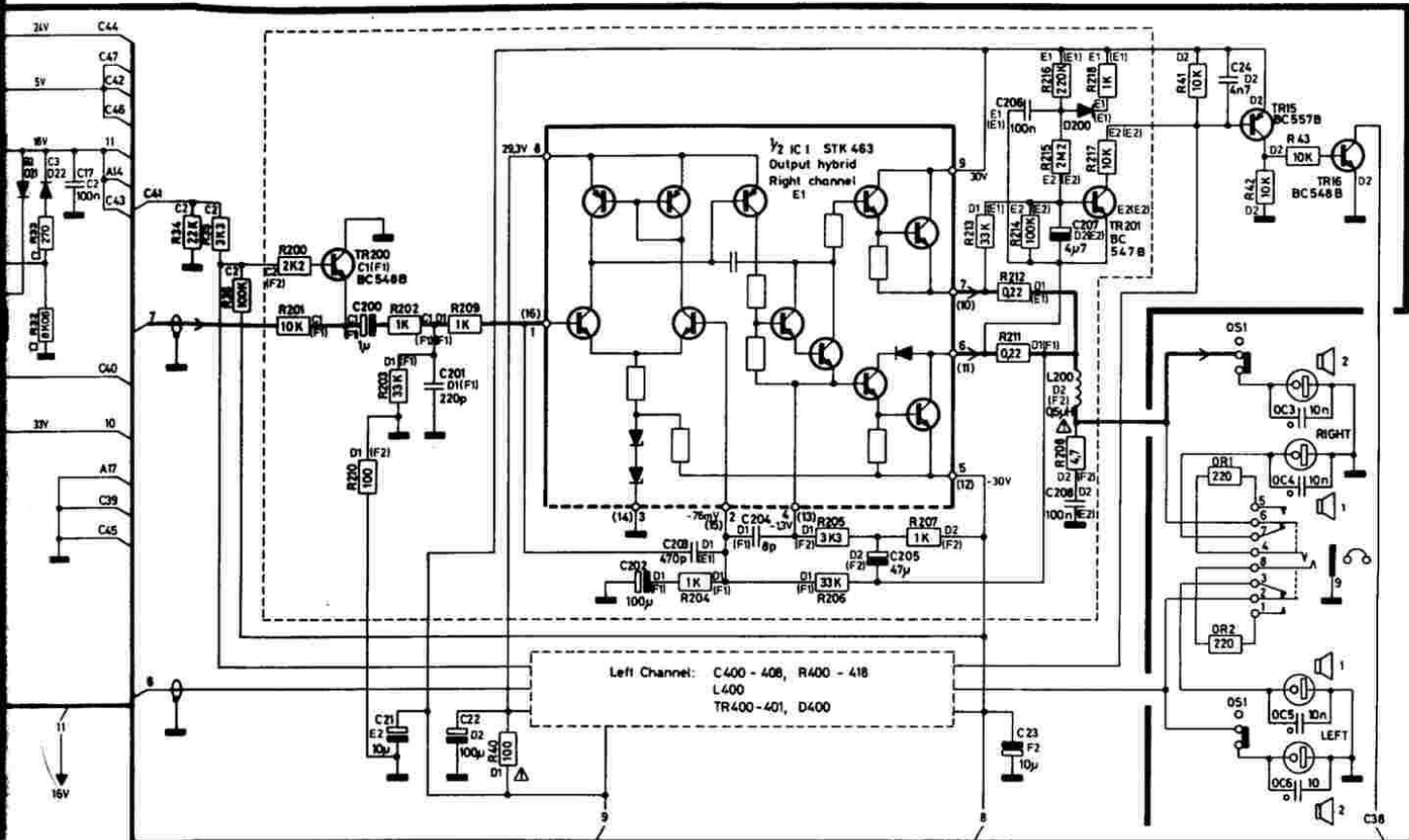


DIAGRAM A, type 2912/15/17 From serial no. 2930001









Only type 2919  
 BC213 - 6C413 - 100p  
 BC215 - 6C415 - 2n2

A13 - A18  
 C33 - C47