

Bang & Olufsen

Beomaster 6000

TYPE 2251, 2252, 2253, 2254

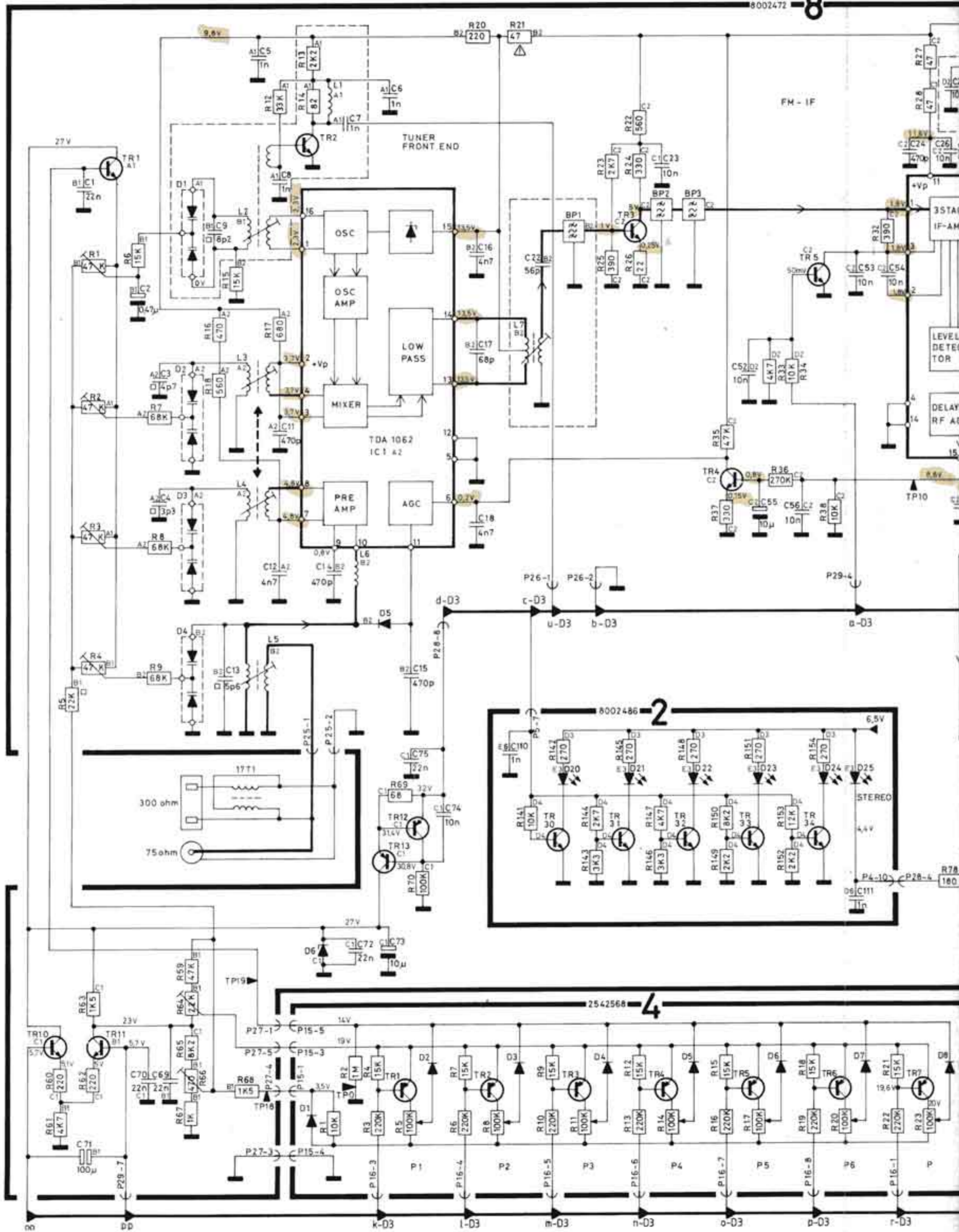
Beomaster Terminal

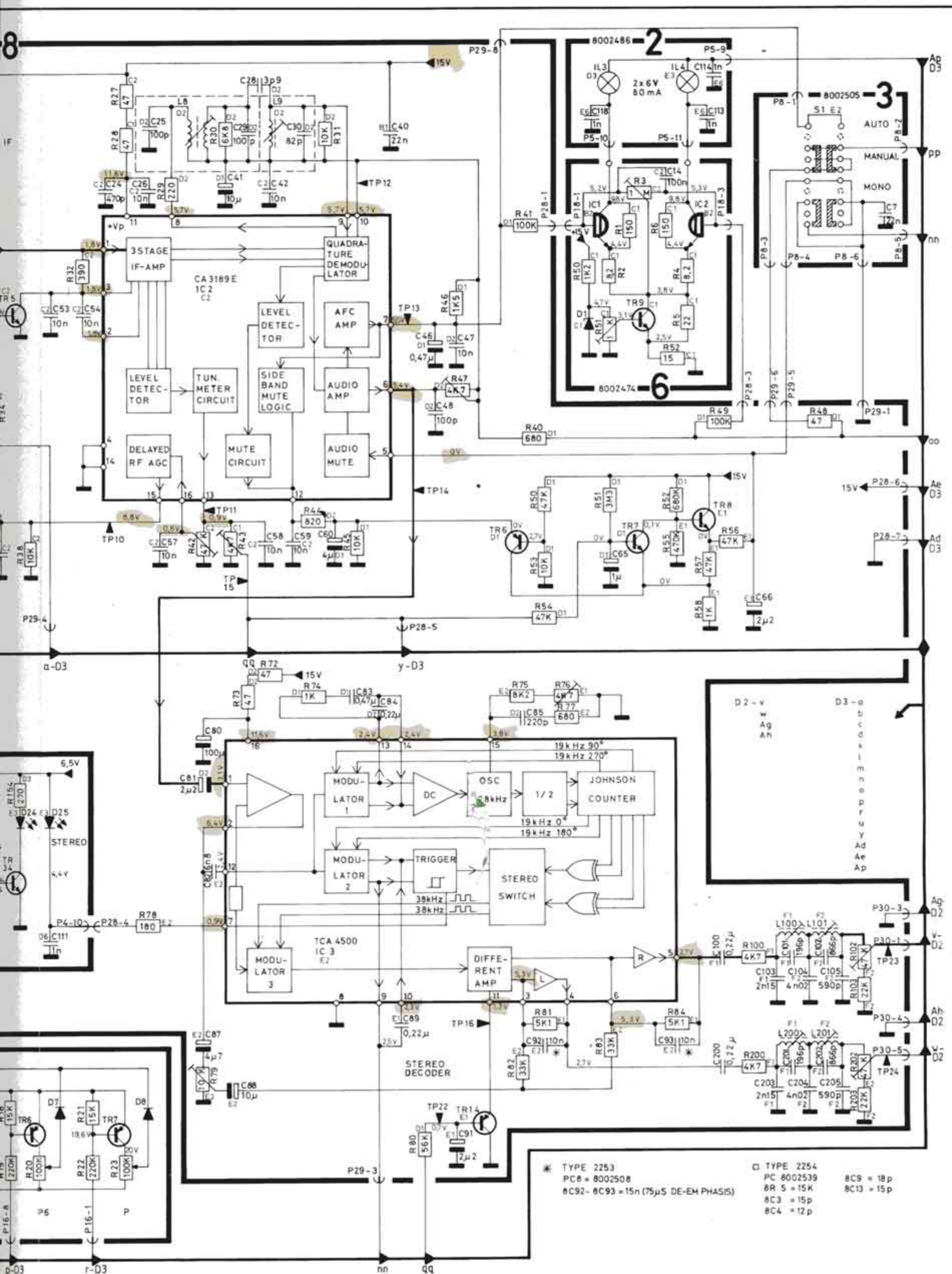
TYPE 2035



*Attention : fils de liaison
entre Transistor puissance et circuit
ci-U264B - 8340220 - affichage*



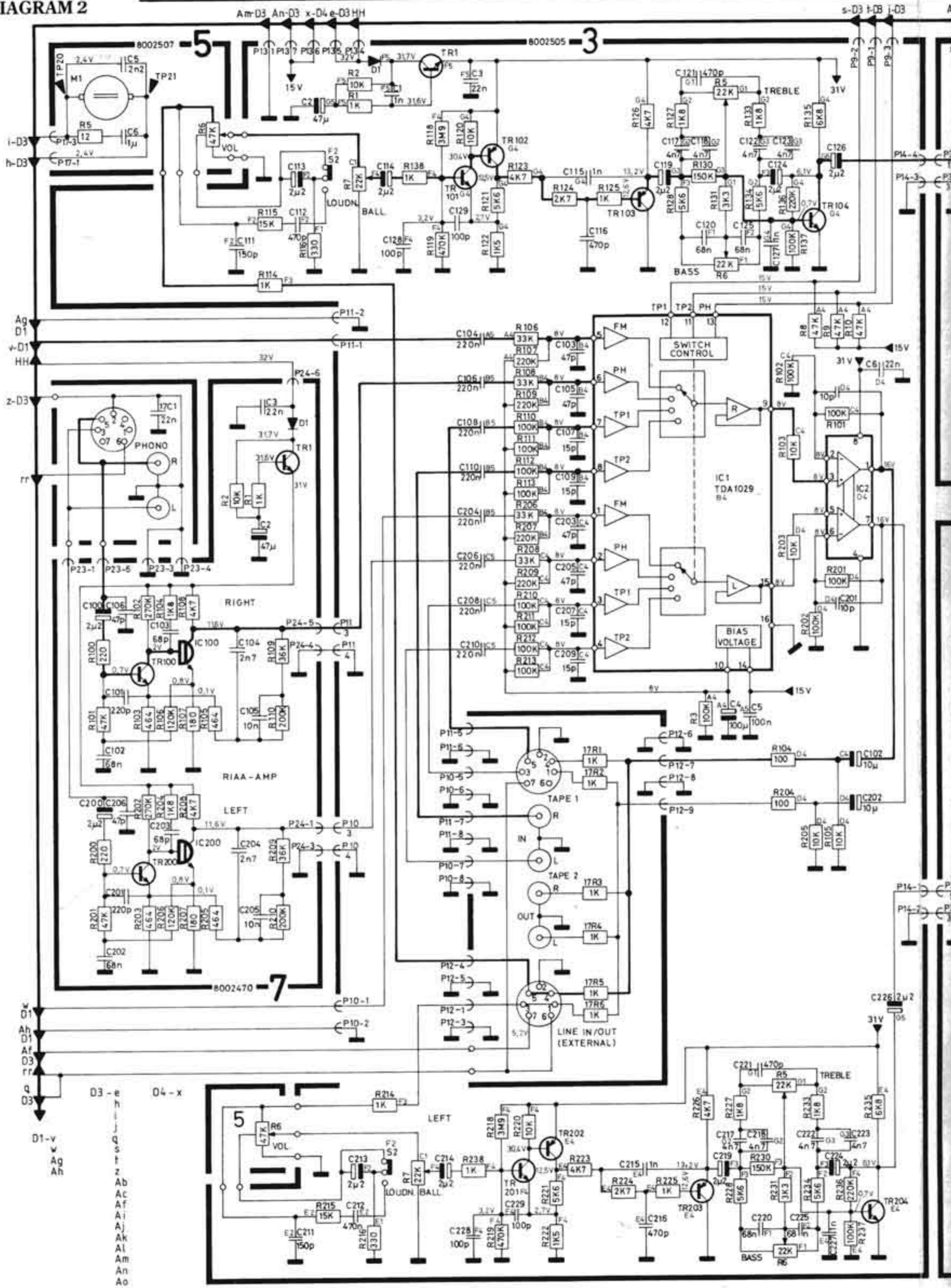




- * TYPE 2253
 PC8 = 8002508
 8C92-8C93 = 15n (75µS DE-EM PHASIS)
- TYPE 2254
 PC 8002539
 8R 5 = 15K
 8C3 = 15p
 8C4 = 12p
- 8C9 = 18p
 8C13 = 15p

Bang & Olufsen

DIAGRAM 2



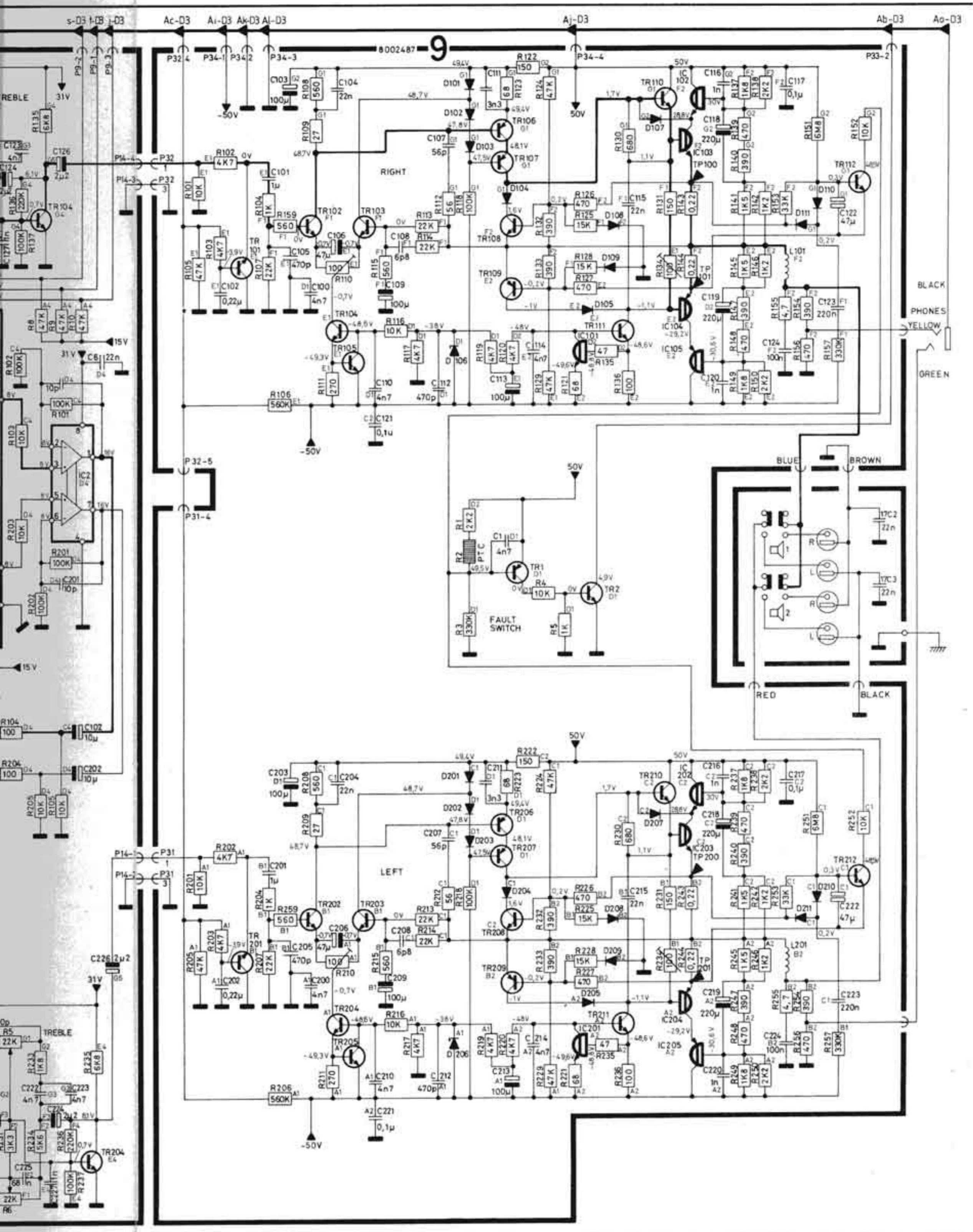
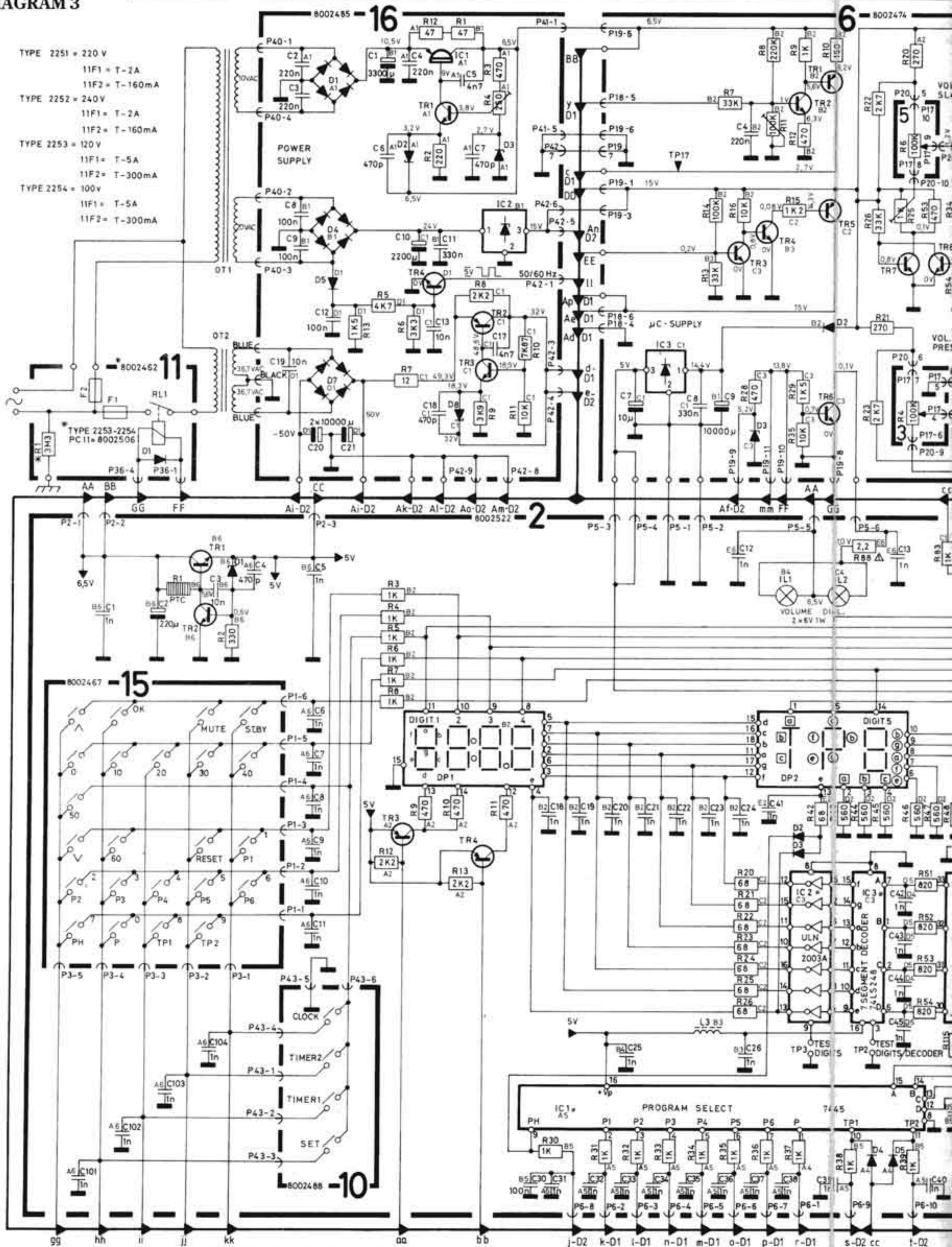
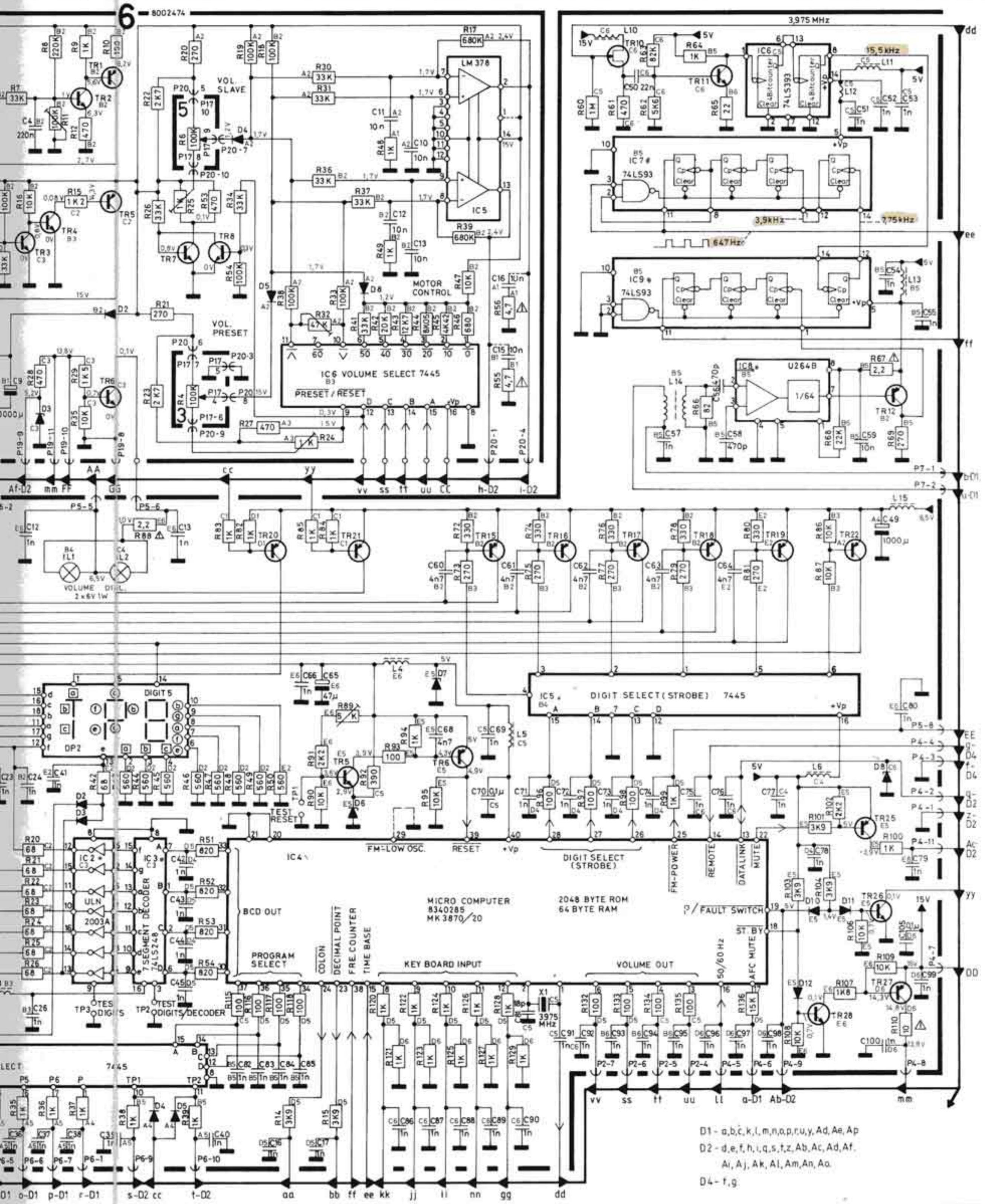


DIAGRAM 3

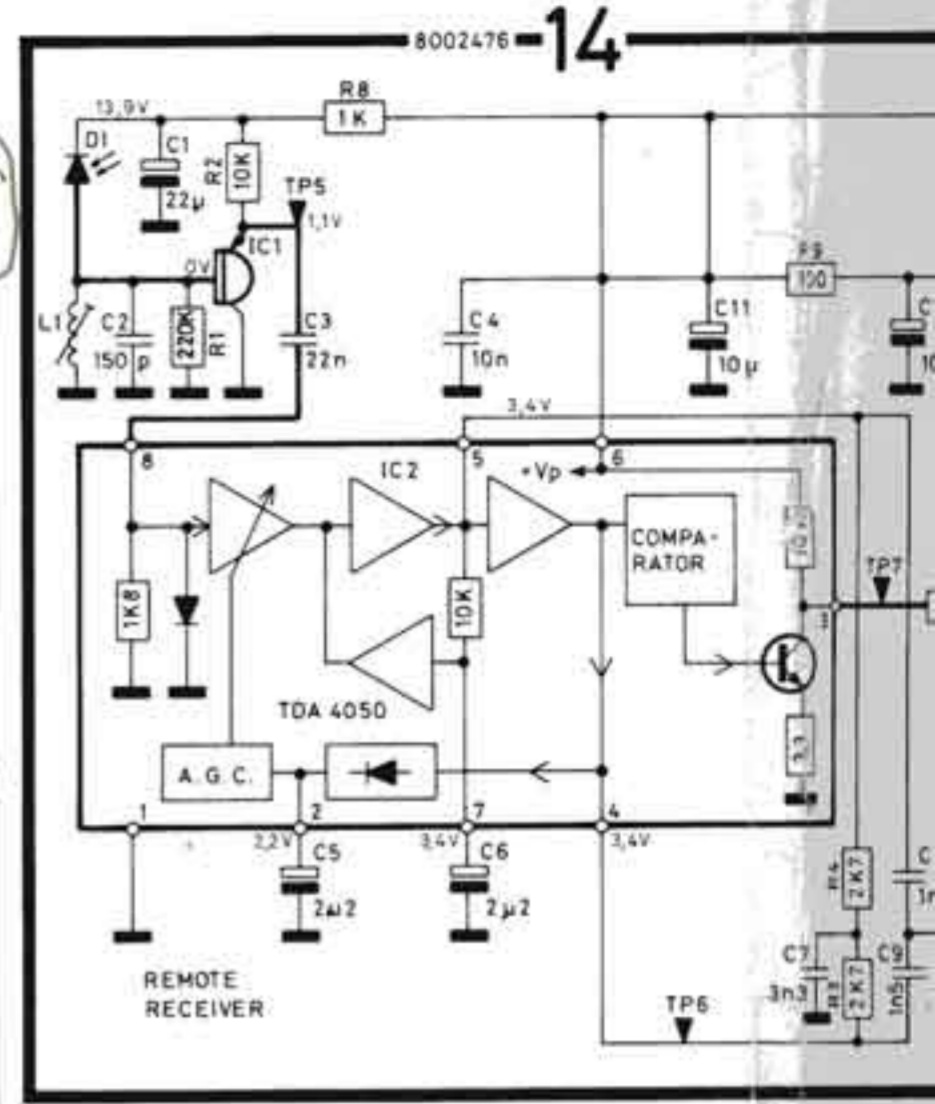
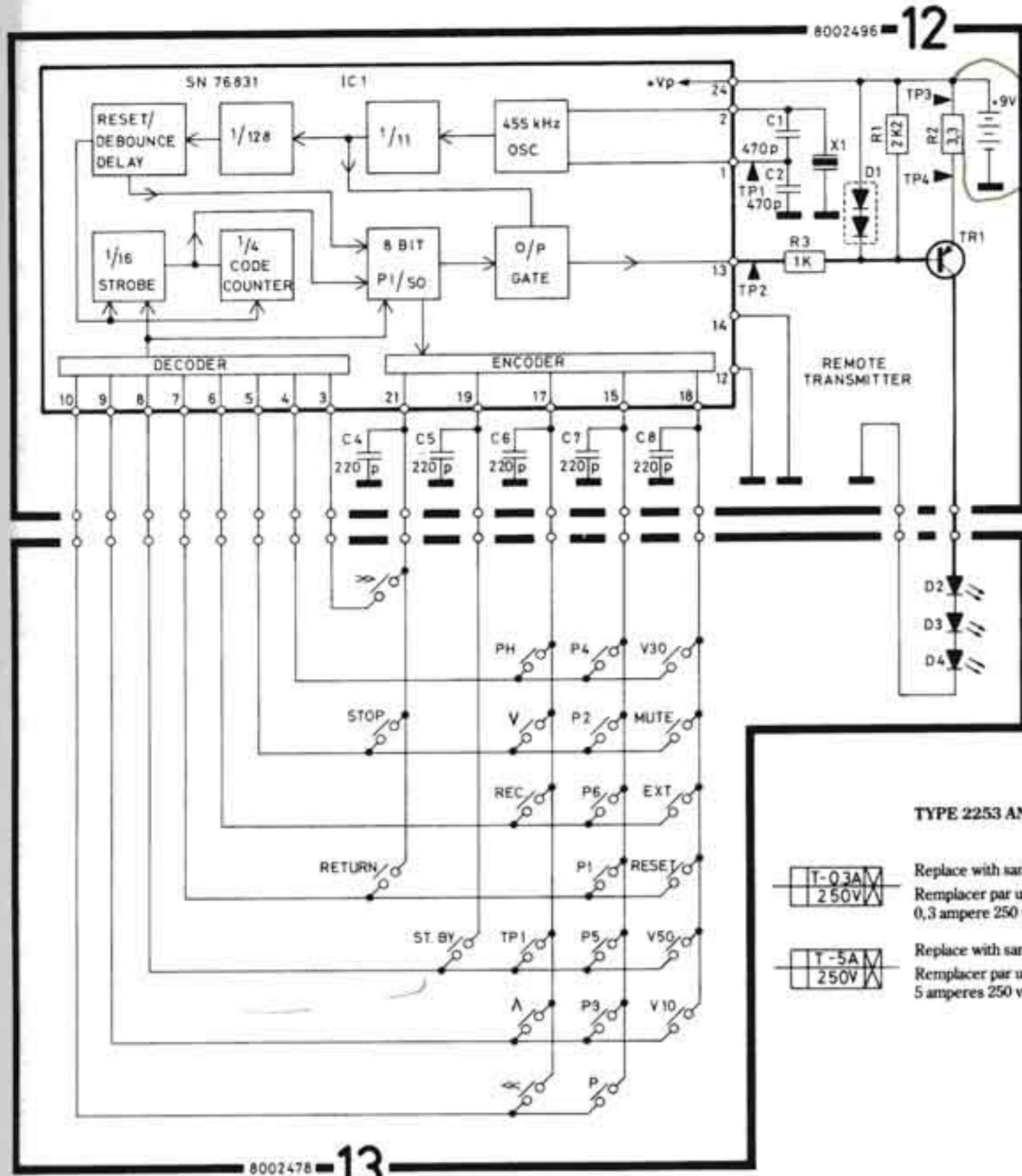




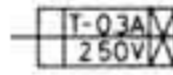
Bang & Olufsen

DIAGRAM 4

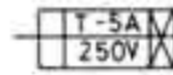
Commande a distance



TYPE 2253 AND 2254 Explanation of the fuse symbols used in the set:
 Explication de symboles du fusible utilisés dans l'appareil:



Replace with same type 0,3 ampere 250 volts slow acting fuse.
 Remplacer par un fusible de meme type retardé et de 0,3 ampere 250 volts.



Replace with same type 5 ampere 250 volts slow acting fuse.
 Remplacer par un fusible de meme type retardé et de 5 ampères 250 volts.

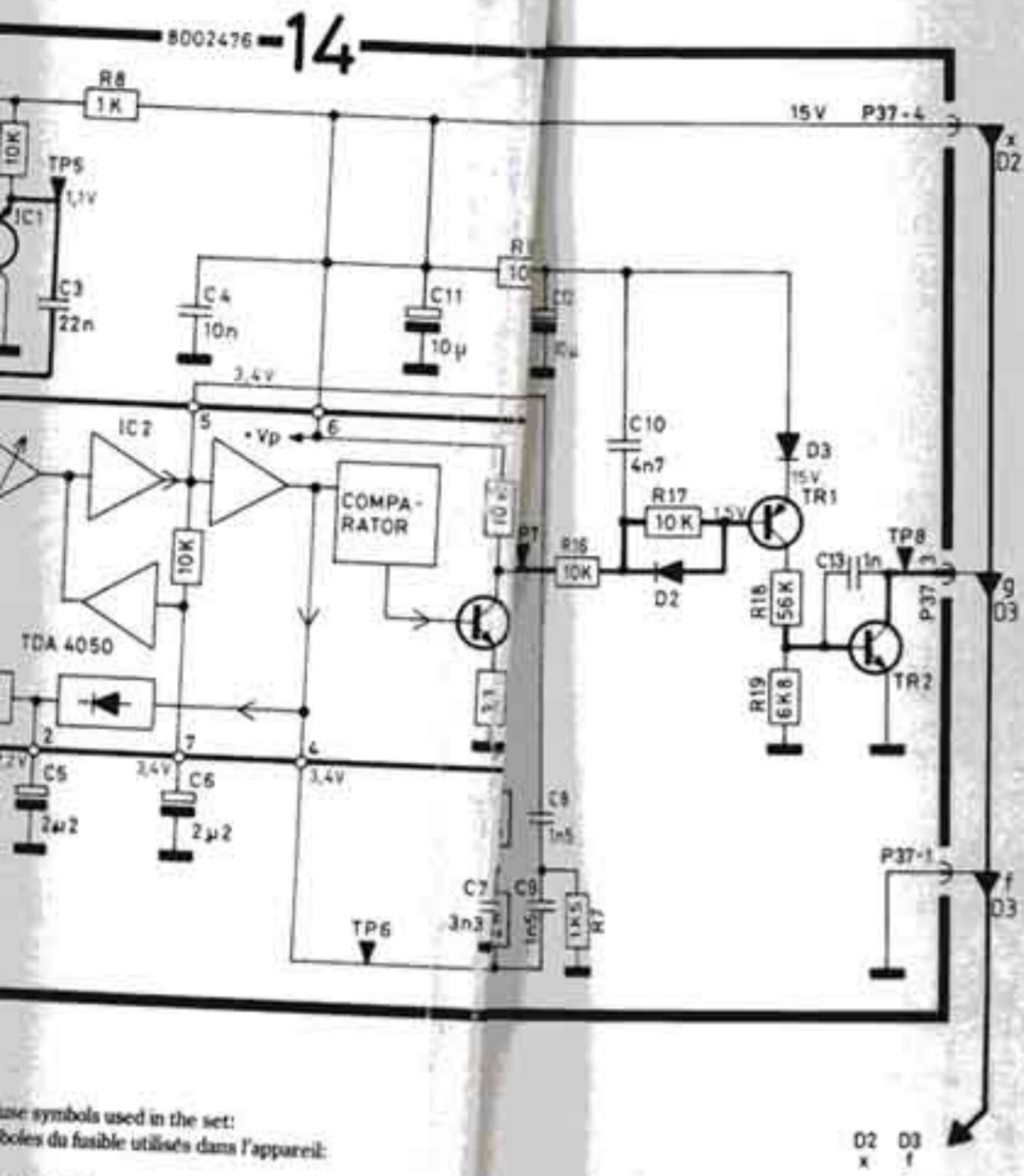
CONDITIONS		FUNCTION	
PINS	39	19	3
1	1	P-TUNING	
1	1	P1	
1	1	P2	
1	1	P3	
1	1	P4	
1	1	P5	
1	1	P6	
1	1	PH	
1	1	TP1	
1	1	TP2	
1		RESET VOL	1
1		MUTE	
1		PRESET VOL	1
1		VOL 0	0
1		VOL 10	1
1		VOL 20	0
1		VOL 30	1
1		VOL 40	0
1		VOL 50	1
1		VOL 60	0
1		VOL ^	1
1		VOL v	0
1	0	ST. BY	1

FUNCTION TABLE FOR DIAGRAM 3

DECIMAL ON DISPLAY	INPUTS				OUTPUTS						
	D	C	B	A	a	b	c	d	e	f	g
0	0	0	0	0	1	1	1	1	1	1	0
1	0	0	0	1	0	1	1	0	0	0	0
2	0	0	1	0	1	1	0	1	1	0	1
3	0	0	1	1	1	1	1	1	0	0	1
4	0	1	0	0	0	1	1	0	0	1	1
5	0	1	0	1	1	0	1	1	0	1	1
6	0	1	1	0	1	0	1	1	1	1	1
7	0	1	1	1	1	1	1	0	0	0	0
8	1	0	0	0	1	1	1	1	1	1	1
9	1	0	0	1	1	1	1	1	0	1	1
OFF	1	1	1	1	0	0	0	0	0	0	0

INPUT				OUTPUT AT PINS										
D	C	B	A	1	2	3	4	5	6	7	9	10	11	
0	0	0	0	0	1	1	1	1	1	1	1	1	1	
0	0	0	1	1	0	1	1	1	1	1	1	1	1	
0	0	1	0	1	1	0	1	1	1	1	1	1	1	
0	0	1	1	1	1	1	0	1	1	1	1	1	1	
0	1	0	0	1	1	1	1	0	1	1	1	1	1	
0	1	0	1	1	1	1	1	1	0	1	1	1	1	
0	1	1	0	1	1	1	1	1	1	0	1	1	1	
0	1	1	1	1	1	1	1	1	1	1	0	1	1	
1	0	0	0	1	1	1	1	1	1	1	1	0	1	
1	0	0	1	1	1	1	1	1	1	1	1	1	0	
1	0	1	0	1	1	1	1	1	1	1	1	1	1	
1	0	1	1	1	1	1	1	1	1	1	1	1	1	
1	1	0	0	1	1	1	1	1	1	1	1	1	1	
1	1	0	1	1	1	1	1	1	1	1	1	1	1	
1	1	1	0	1	1	1	1	1	1	1	1	1	1	
1	1	1	1	1	1	1	1	1	1	1	1	1	1	

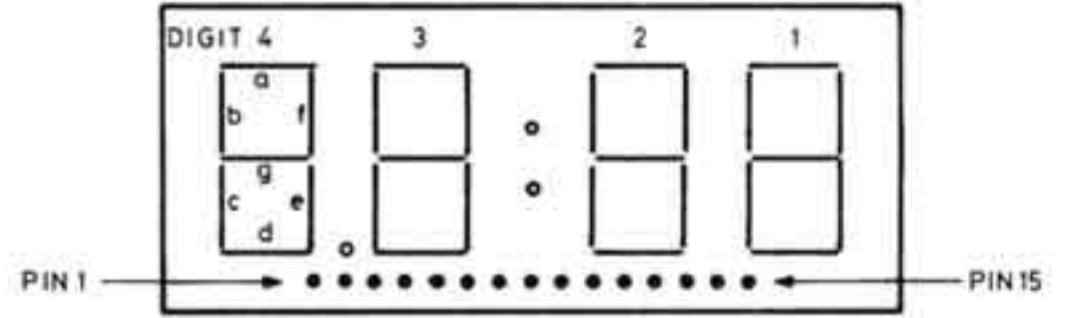
* PIN 18 1=1.4V



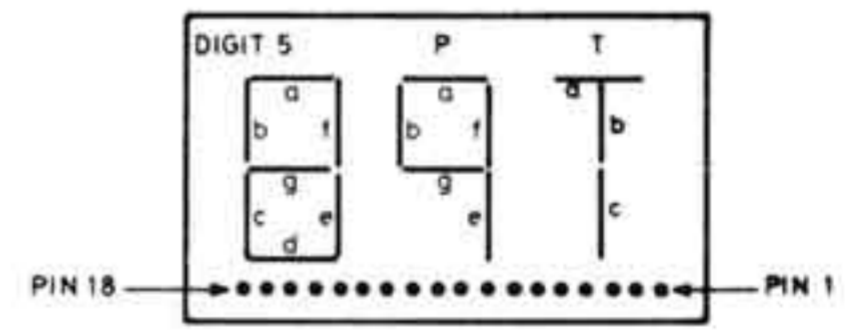
BEOMASTER TERMINAL FUNCTION	OUTPUT CODE FROM 12 IC 1 START
VOL V	1 0 1 0 0 1 0 1
VOL A	1 0 1 0 0 1 1 1
P 1	1 0 0 0 0 0 1 1
P 2	1 0 0 0 0 1 0 1
P 3	1 0 0 0 0 1 1 1
P 4	1 0 0 0 1 0 0 1
P 5	1 0 0 0 1 0 1 1
P 6	1 0 0 0 1 1 0 1
P	1 0 0 0 1 1 1 1
TP1/play	1 0 1 0 1 0 1 1
PH/play	1 0 1 0 1 0 0 1
ST. BY	1 0 0 1 1 0 1 1
←	1 0 1 0 1 1 1 1
>	1 0 1 1 0 0 0 1
REC	1 0 1 0 1 1 0 1
RETURN	1 0 1 1 0 0 1 1
STOP	1 0 1 1 1 0 1 1
V 10	1 1 1 0 0 1 1 1
V 30	1 1 1 0 1 0 0 1
V 50	1 1 1 0 1 0 1 1
RESET	1 1 1 0 0 0 1 1
MUTE	1 1 1 0 0 1 0 1
EXT	1 1 1 0 1 1 0 1

	PH ACTIVATED ON BEOMASTER TERMINAL
12 TP2	9 Vpp
12 TP4 (REF TP3)	700mVpp
14 TP5	100mVpp
14 TP6	1.5Vpp
14 TP7	12 Vpp
14 TP8	5Vpp

← pulse → pause → pulse →
48 mS



- 2DP1 PIN ASSIGNMENT (BOTTOM VIEW)**
1. SEG. b CATHODE
 2. SEG. a CATHODE
 3. SEG. f CATHODE
 4. SEG. e CATHODE
 5. SEG. d CATHODE
 6. SEG. g CATHODE
 7. SEG. c CATHODE
 8. DIGIT 4 ANODE
 9. DIGIT 3 ANODE
 10. DIGIT 2 ANODE
 11. DIGIT 1 ANODE
 12. DECIMAL POINT ANODE
 13. COLON LOWER ANODE
 14. COLON UPPER ANODE
 15. COMMON CATHODE DOTS



- 2DP2 PIN ASSIGNMENT (BOTTOM VIEW)**
1. COMMON ANODE DIGIT T
 2. SEG. a CATHODE DIGIT T
 3. SEG. b CATHODE DIGIT T
 4. SEG. c CATHODE DIGIT T
 5. COMMON ANODE DIGIT P
 6. SEG. e CATHODE DIGIT P
 7. SEG. f CATHODE DIGIT P
 8. SEG. a CATHODE DIGIT P
 9. SEG. g CATHODE DIGIT P
 10. SEG. b CATHODE DIGIT P
 11. SEG. a CATHODE DIGIT 5
 12. SEG. f CATHODE DIGIT 5
 13. SEG. e CATHODE DIGIT 5
 14. COMMON ANODE DIGIT 5
 15. SEG. d CATHODE DIGIT 5
 16. SEG. c CATHODE DIGIT 5
 17. SEG. g CATHODE DIGIT 5
 18. SEG. b CATHODE DIGIT 5

CONDITIONS		FUNJON	RESULTS														
PINS	39	19	3	4	5	6	17	18	22	23	25	34	35	36	37		
	1	1	P-TUG					0	1	1	0	0	0	0	0		
	1	1	P1					0	1	1	0	0	0	0	1		
	1	1	P2					0	1	1	0	0	0	1	0		
	1	1	P3					0	1	1	0	0	0	1	1		
	1	1	P4					0	1	1	0	0	0	1	0		
	1	1	P5					0	1	1	0	0	0	1	0		
	1	1	P6					0	1	1	0	0	0	1	1		
	1	1	PH					1	1	1	1	0	1	1	1		
	1	1	TP1					1	1	1	1	1	0	0	0		
	1	1	TP2					1	1	1	1	1	0	0	1		
	1		RESET VOL	1	1	1	0										
	1		MUTE							0							
	1		PRESET VOL	1	1	1	0										
	1		VOL 0	0	0	0	0			1							
	1		VOL 0	1	0	0	0			1							
	1		VOL 20	0	1	0	0			1							
	1		VOL 30	1	1	0	0			1							
	1		VOL 40	0	0	1	0			1							
	1		VOL 50	1	0	1	0			1							
	1		VOL 50	0	1	1	0			1							
	1		VOL ^	1	0	0	1			1							
	1		VOL v	0	0	0	1			1							
	1	0	ST BY	1	1	1	0	0	0	0	1						

* PIN 18 1=1.4V