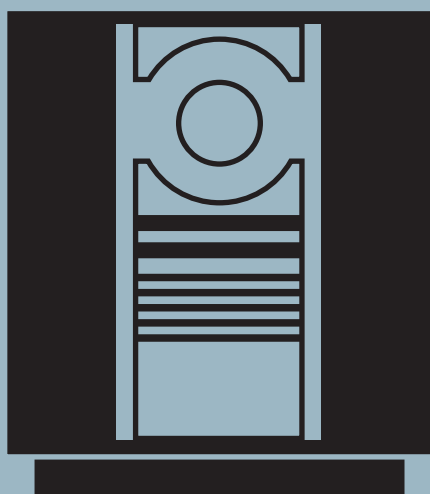


# BeoSound 3200

Type 2681, 2682, 2683, 2684, 2685, 2686, 2687, 2690  
From serial no. 19533053

Supplement  
English



## CONTENTS

Survey of modules .....	1.1
<b>Diagrams etc .....</b>	<b>2</b>
Wiring diagram .....	2.1
Block diagram .....	2.2
<b>Available parts .....</b>	<b>3</b>
<b>Testmodes etc. ....</b>	<b>4</b>
<b>Dismantling .....</b>	<b>5</b>
Service position .....	5.1
Service tool .....	5.2
<b>Insulation test .....</b>	<b>6</b>

This manual only contain the differences from the BeoSound 3000 to the BeoSound 3200. All other documentation can be found in the BeoSound 3000 manual.

2 Interface f/ $\mu$ PH8

18 Headphone

3  $\mu$ PH8 Microcomputer

20 IR receiver and left door sensor

5 Display

21 Door sensor right

7 **Codec**

28 Light supply

8 **Stabiliser**

86 Tuner-FM/AM-RDS-Stereo decoder

9 Light and motor control

89 Interface f/CD PRO MKII

12 Power Supply, Input select & Pre-amp.

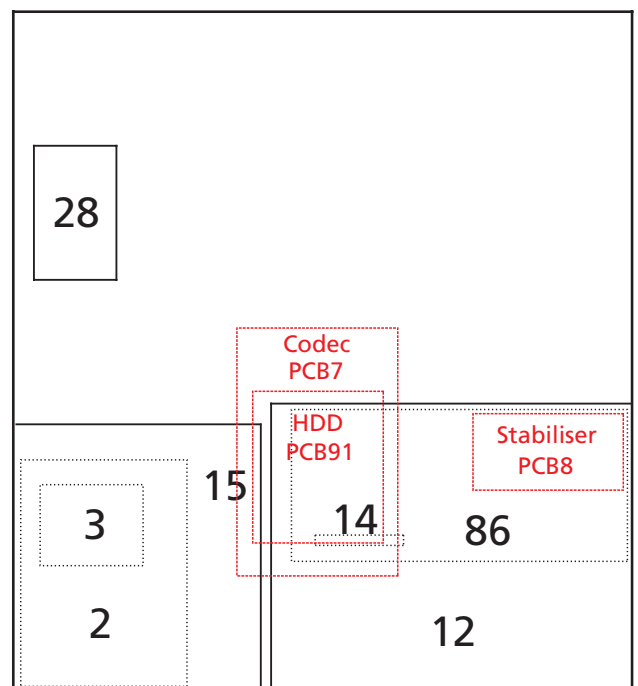
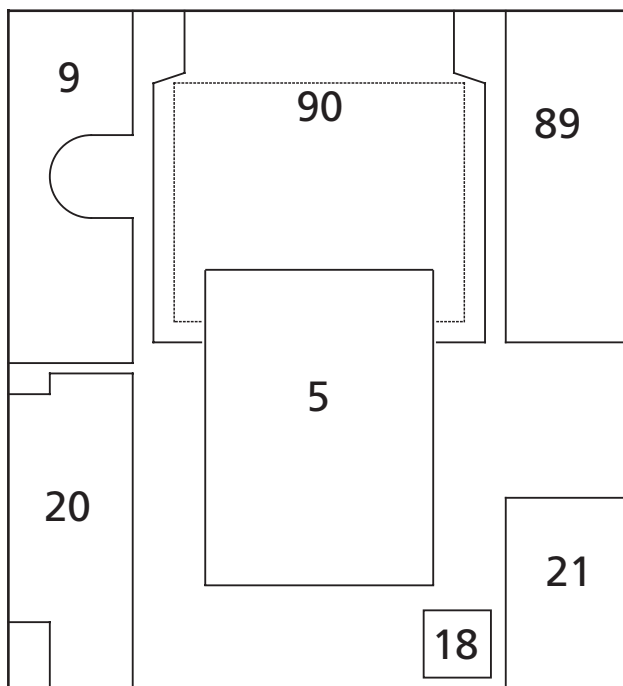
90 CD PRO MKII

14 Master Link Audio interface

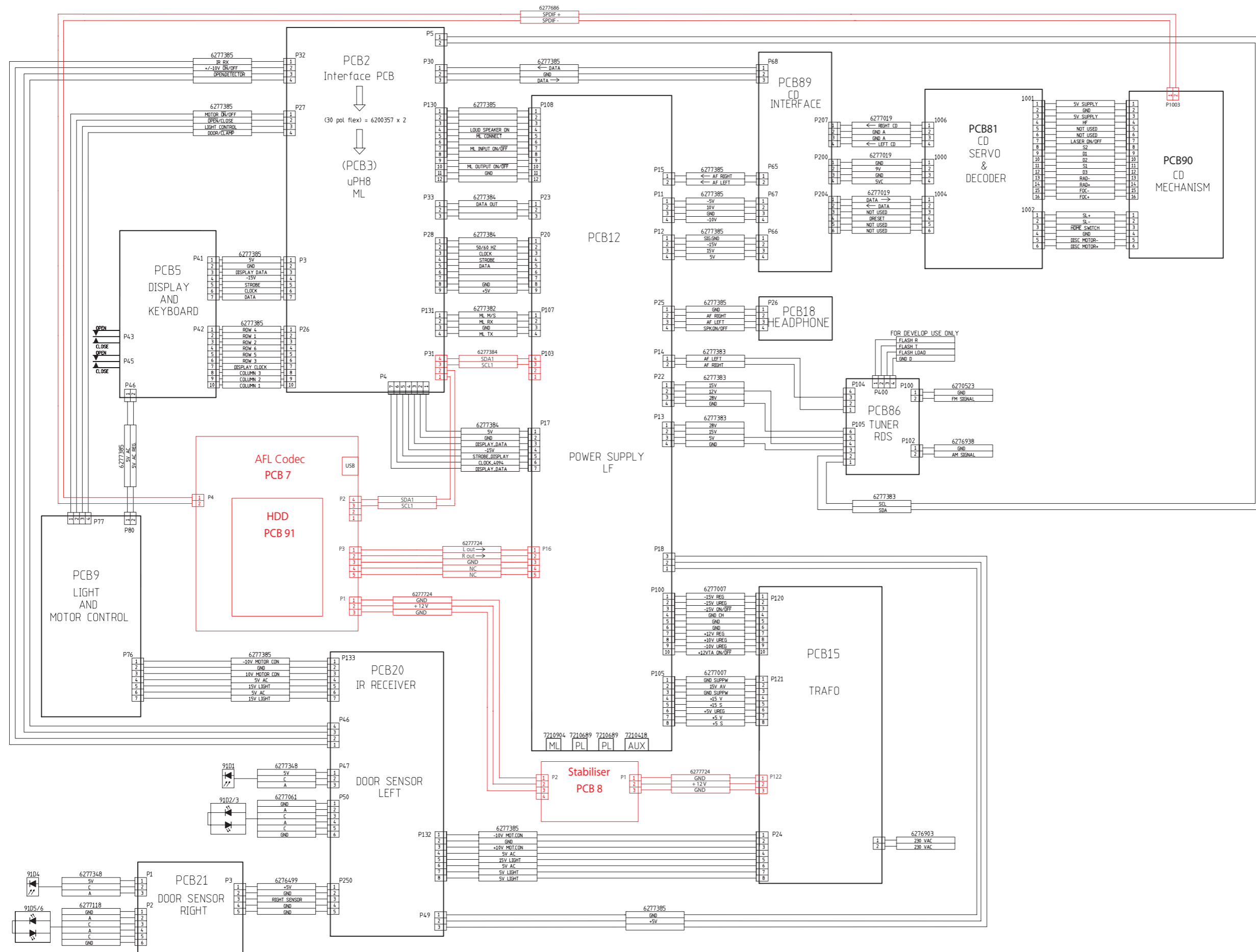
91 **Hard Disk Drive**

15 Transformer

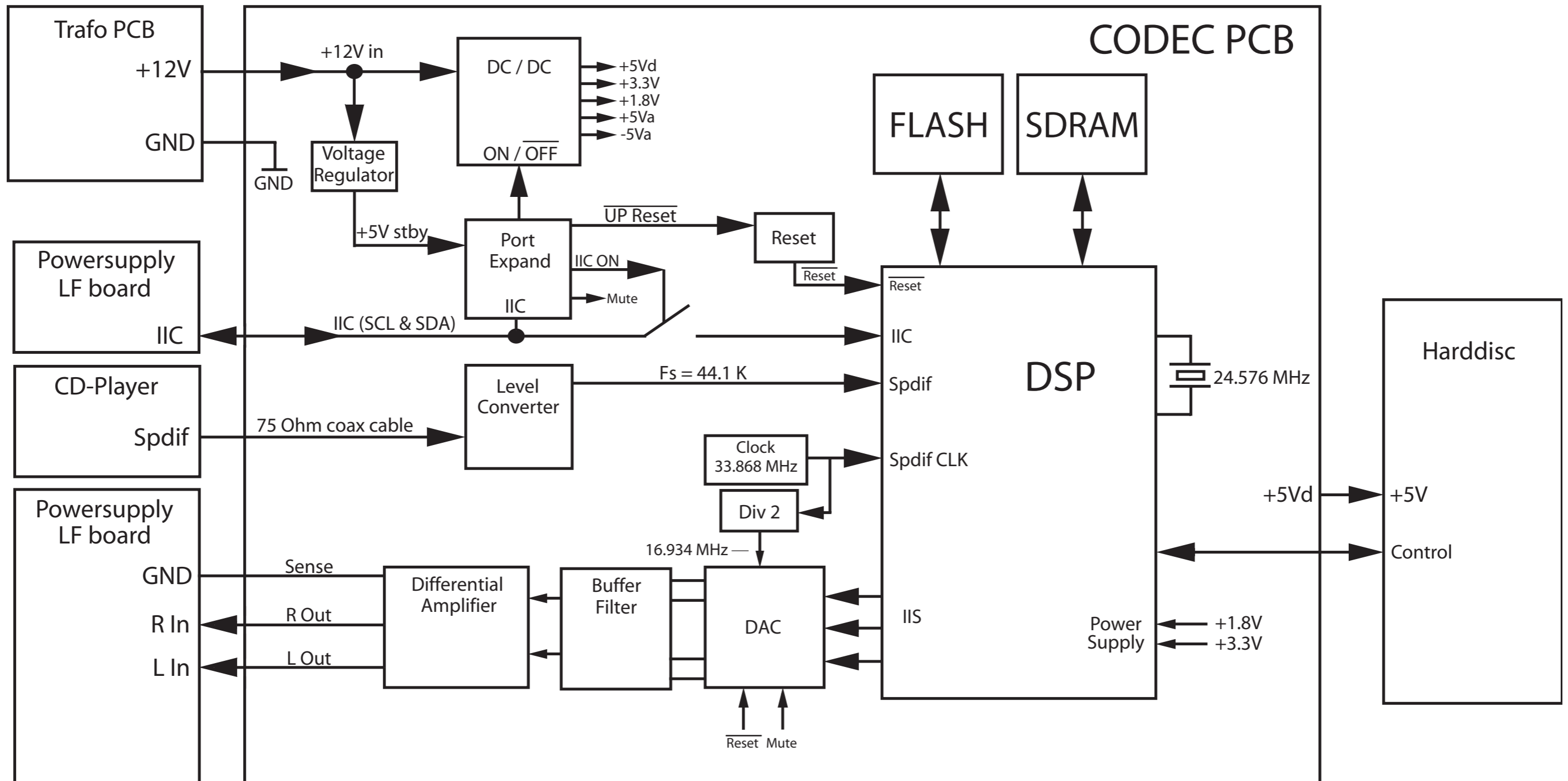
Documentation on the modules marked with black can be found in the BeoSound 3000 service manual (part no. 3538952 and 3538953).



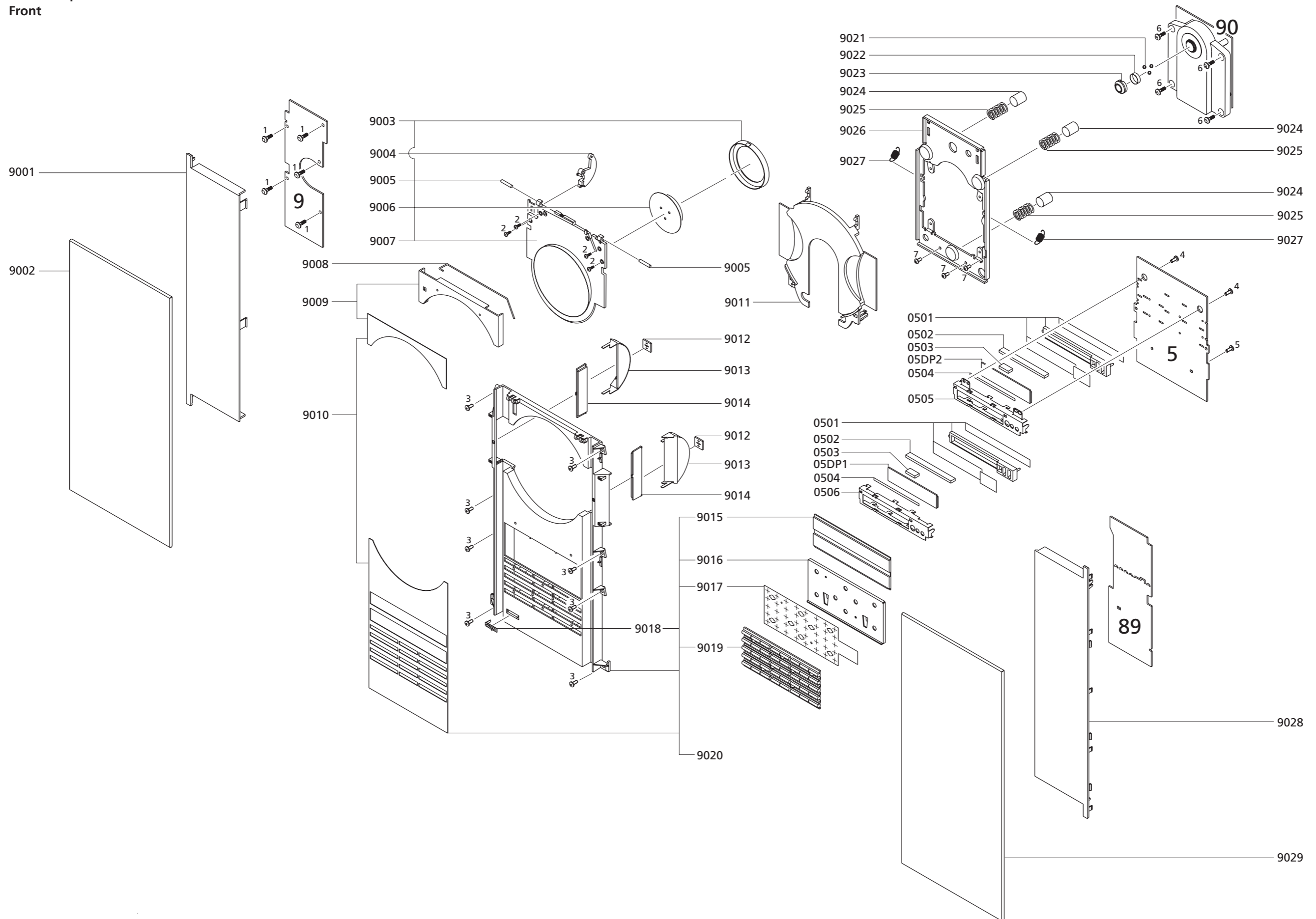
Wiring diagram



Block diagram



Available parts  
Front



**Front**

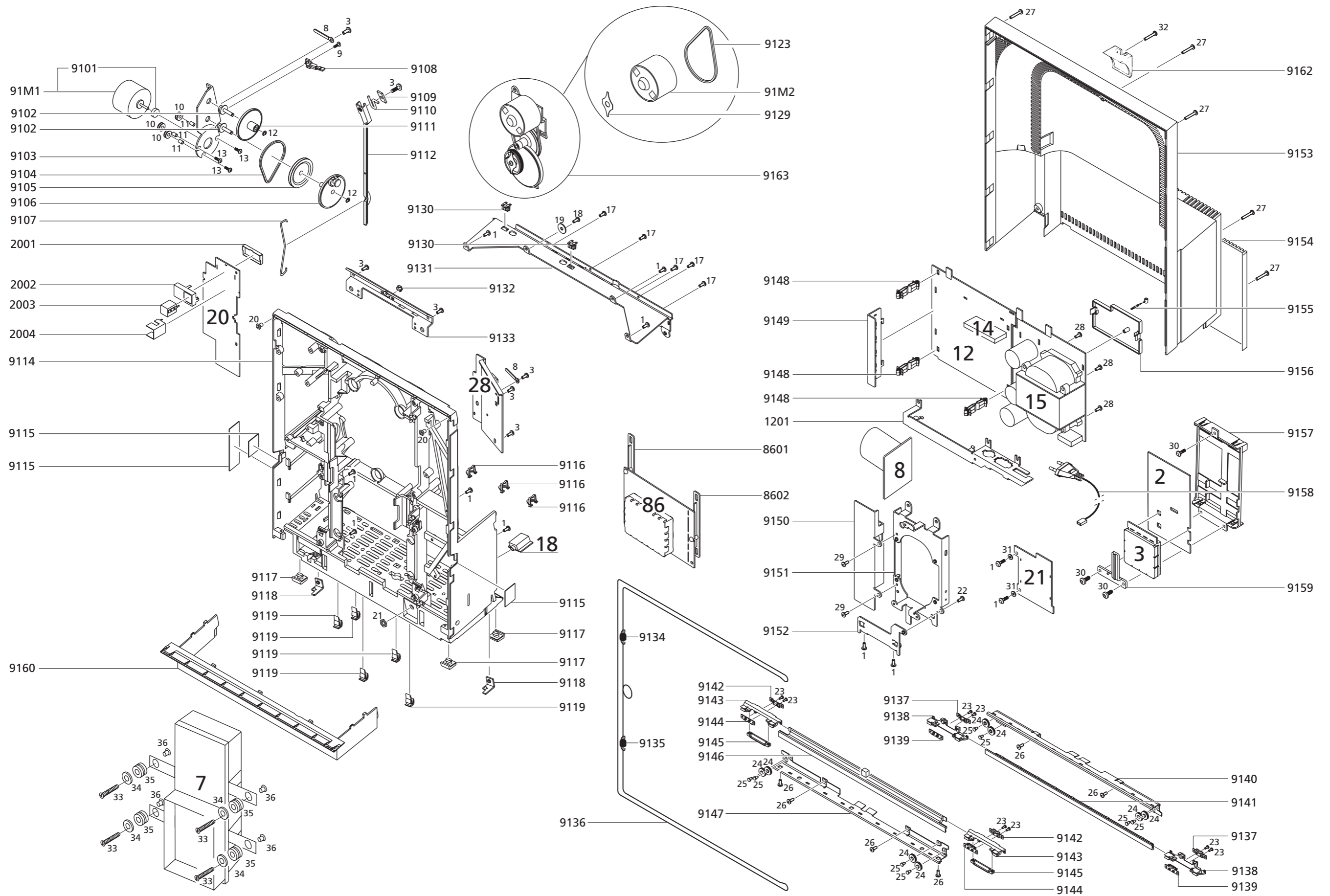
9001	3162622	Cover, left
9002	3162830	Glass, left
9003	2802056	Ring f/clamper with magnet strips
9004	3017028	Wheel
9005	2830111	Cylinder pin
9006	3162652	Clamper
9007	3153031	Clamper, complete
9008	2819251	Spring
9009	3165027	Cover f/clamper
9010	3904213	Alu foil w/tape
9011	3162461	Cover f/CD
9012	8230100	PCB w/lamp
9013	3131356	Light cabinet
9014	3322145	Window
9015	3322137	Window
9016	2572045	Spacer
9017	7500270	Contact spring
9018	2816257	Ground spring
9019	2776761	Set of buttons
9020	3451770	Front piece, complete
9021	2917025	Ball
9022	2816235	Spring
9023	2311045	Magnet top
9024	3333017	Rubber damping
9025	2812132	Compression spring
9026	3112418	Chassis
9027	2810254	Tension spring
9028	3162623	Cover, right
9029	3162831	Glass, right
<hr/>		
05Module	8001362	Display
0501	8330286	LED backlight module
0502	7500272	Contact rubber
0503	2574079	Rubber pad
0504	3370148	Foil
0505	3151285	Holder, upper
0506	3151292	Holder, lower
<hr/>		
05DP1	8330259	Display, lower
05DP2	8330468	Display, upper
<hr/>		
09Module	8001550	Light and motor control
<hr/>		
89Module	8001823	Interface f/CD PRO MKII
<hr/>		
90Module	8420240	CD PRO MKII incl. pos. no. 9021, 9022 and 9023
<hr/>		

**Screws**

1	2013144	Screw 3 x 8mm
2	2036036	Screw 2.5 x 4mm
3	2013118	Screw 3 x 8mm
4	2013172	Screw 3 x 6mm
5	2036085	Screw 2.5 x 6mm
6	2038118	Screw 3 x 6mm
7	2038133	Screw 3 x 11mm

---

Chassis





**Chassis**

9101	2722055	Belt pulley
9102	2831070	Shaft
9103	3151277	Holder
9104	2732076	Belt
9105	2722054	Belt pulley
9106	2700152	Gear wheel, complete
9107	2819295	Spring
9108	6276391	Wire w/switch
9109	3035062	Slide shoe
9110	2819254	Spring
9111	2700092	Gear wheel
9112	2854153	Arm
9114	3114455	Chassis incl. pos. no. 9117, 9118, 9119, 9133 and 9152
9115	3947546	Copper tape - 16.5m
9116	3152747	Wire holder
9117	3103303	Foot
9118	2642030	Clamp
9119	2311029	Clip
9123	2732092	Belt
9129	2815032	Leaf spring
9130	2311030	Clip
9131	2548254	Bracket
9132	3010033	Stop f/transport screw
9133	3031587	Bracket
9134	2810133	Tension spring
9135	2810155	Spring
9136	3955042	Cord
9137	2391086	Locking piece
9138	3152727	Holder
9139	2391087	Locking piece
9140	2548247	Bracket
9141	3013095	Guide rail incl. pos. no. 9137, 9138 and 9139
9142	2391086	Locking piece
9143	3152727	Holder
9144	2391087	Locking piece
9145	3035060	Slide shoe
9146	3013096	Guide rail incl. pos. no. 9142, 9143, 9144 and 9145
9147	2548247	Bracket
9148	3030116	Hinge
9149	3358275	Heat sink
9150	3358274	Heat sink
9151	3152730	Holder
9152	3124121	Mounting plate
9153	3430605	Rear cover
9154	3164900	Cable cover
9155	3151321	Strap
9156	3300120	Screen
9157	3031682	Frame
9158	6100273	Mains cable, type 2681-2690 (EU-LAT)
	6100329	Mains cable, type 2682 (GB)
	6100307	Mains cable, type 2683-2686 (USA-CDN-TWN)
	6100331	Mains cable, type 2684 (JPN)
	6100332	Mains cable, type 2685 (AUS)
	6100386	Mains cable, type 2687 (KOR)
9159	3031689	Holder f/PCB3
9160	2560279	Rail
9162	3152757	Holder f/antenna
9163	2755072	Gearbox, complete
91M1	8400190	Motor
91M2	8400189	Motor
02Module	8006796	Interface f/μPH8
03Module	8002998	Microprocessor
IC3	8344212	APP SW
IC6	8343712	EEPROM

07Module	8420031	HDR-A Kit, complete
08Module	8100096	Back-up, complete
	3153037	Holder
	2038149	Screw 3 x 8mm
	3947613	Foamtape
12/14/15Module	8003099	PCB12/14/15 EU, complete
	8000914	PCB12/14/15 US, complete
1201	3152799	Holder
		Sockets, see wiring diagram
18Module	8001817	Headphone
20Module	8005738	IR receiver and left door sensor
2001	3300124	Screen, inner
2002	3300123	Screen, outer
2003	3304135	Shielded box
2004	3300129	Screen
91D1	6277348	Wire - Plug with reception diode
91D2	6277061	Wire - Plug with transmitter diode, left
91D3	6277061	Wire - Plug with transmitter diode, right
21Module	8006799	Door sensor right
91D4	6277348	Wire - Plug with reception diode
91D5	6277118	Wire - Plug with transmitter diode, right
91D6	6277118	Wire - Plug with transmitter diode, right
28Module	3358279	Light supply
86Module	8003100	Tuner-FM/AM-RDS-Stereo decoder EU/US
	8006801	Tuner-FM/AM-RDS-Stereo decoder JAP
8601	3031683	Bracket f/PCB86, right
8602	3031684	Bracket f/PCB86, left

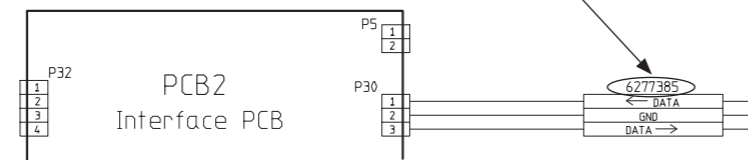
**Screws, washers etc.**

1	2013144	Screw 3 x 8mm
3	2013118	Screw 3 x 8mm
8	7530119	Solder tag
9	2011310	Screw 2.2 x 4.5mm
10	2938237	Bushing
11	2930074	Spacer
12	2390001	Lock washer
13	2036061	Screw 2.6 x 6.5mm
17	2038149	Screw 3 x 8mm
18	2013218	Screw
19	2625002	Washer
20	2389064	Nut
21	2380145	Nut
22	2058017	Screw 3 x 8mm
23	2036066	Screw 2.5 x 2.7mm
24	2724078	Cord pulley
25	2364019	Rivet
26	2011050	Screw 3 x 8mm
27	2038094	Screw 3 x 10mm
28	2039064	Screw 3 x 12mm
29	2039062	Screw 3 x 5mm
30	2039035	Screw 3 x 8mm
31	2622052	Washer
32	2039014	Screw 3 x 20mm
33	2042076	Screw 4 x 10mm
34	2622024	Washer
35	2938277	Rubber bushing
36	2930106	Bushing

**Wire bundles**

See wiring diagram page 2.1

The part no. is printed on the diagram above the wire bundle, as shown.



**Parts not shown**

3657455 Product cover

**Packing**

3392405 Outer carton  
3397824 Foam packing  
3946038 Foil

**User's Guide**

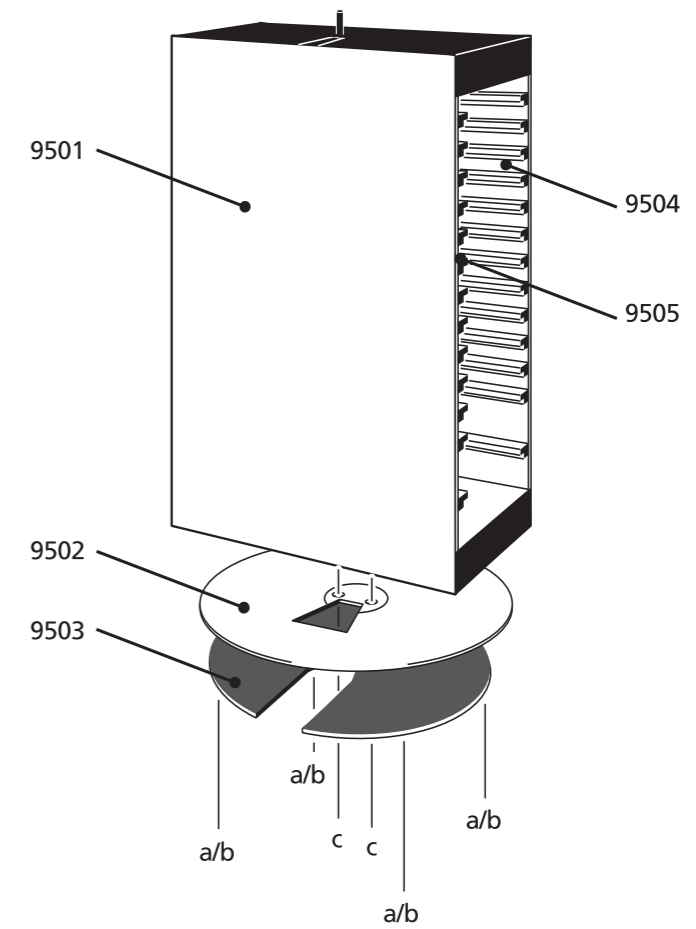
3508588 Danish  
3508589 Swedish  
3508590 Finnish  
3508591 English  
3508592 German  
3508593 Dutch  
3508594 French  
3508595 Italian  
3508596 Spanish  
3508597 Portuguese  
3508598 Greek  
3508599 Russian  
3508600 Japanese  
3508601 Taiwanese  
3508602 Korean

**Supplement**

3504709 Danish  
3504710 Swedish  
3504711 Finnish  
3504712 English  
3504713 German  
3504714 Dutch  
3504715 French  
3504716 Italian  
3504717 Spanish  
3504718 Portuguese  
3504719 Greek  
3504720 Russian  
3504721 Japanese  
3504722 Taiwanese  
3504723 Korean

**Stand, type 2051**

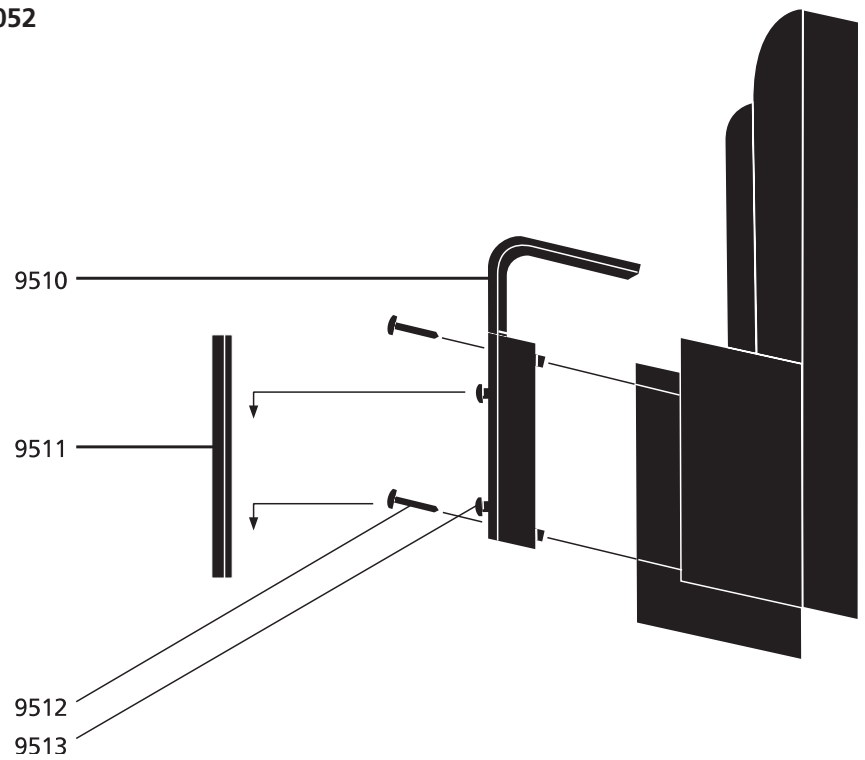
1205111, silver  
1205194, green  
1205196, black  
1205198, blue  
1205199, red



9501	3451589	Cover plate, silver
	3451591	Cover plate, green
	3451592	Cover plate, black
	3451593	Cover plate, blue
	3451594	Cover plate, red
9502	3458890	Cover plate
9503	2752043	Bottom
9504	3013094	Guide rail, right
9505	3013094	Guide rail, left

a	3103390	Foot, spike
b	3103392	Foot, soft
c	2046040	Screw 6 x 63mm
c	2046041	Screw 6 x 66mm

3502921 Setting-up guide  
3397953 Foam packing  
3392423 Outer carton

**Center wall bracket, black, type 2052**  
1205266

---

9510	2777061	Handle, right and left
9511	1205266	Wall bracket
9512	2038130	Screw 3 x 25mm
9513	2043016	Screw 4 x 10mm
	2930126	Bush

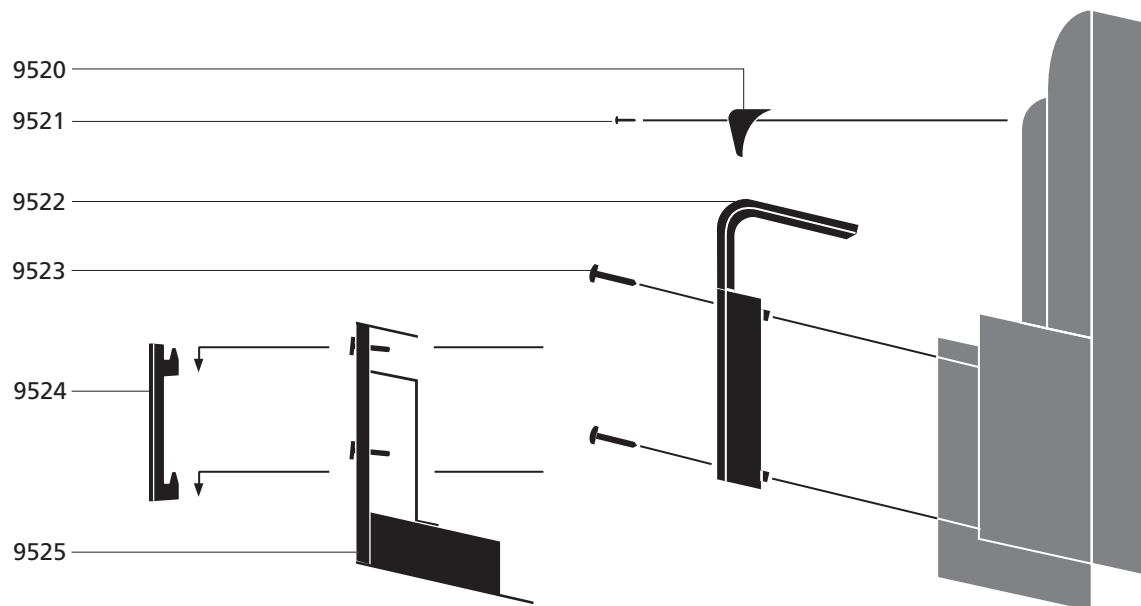
---

3390432	Wire holder
3502922	Setting-up guide

---

**System wall bracket, black, type 2087**

1208766




---

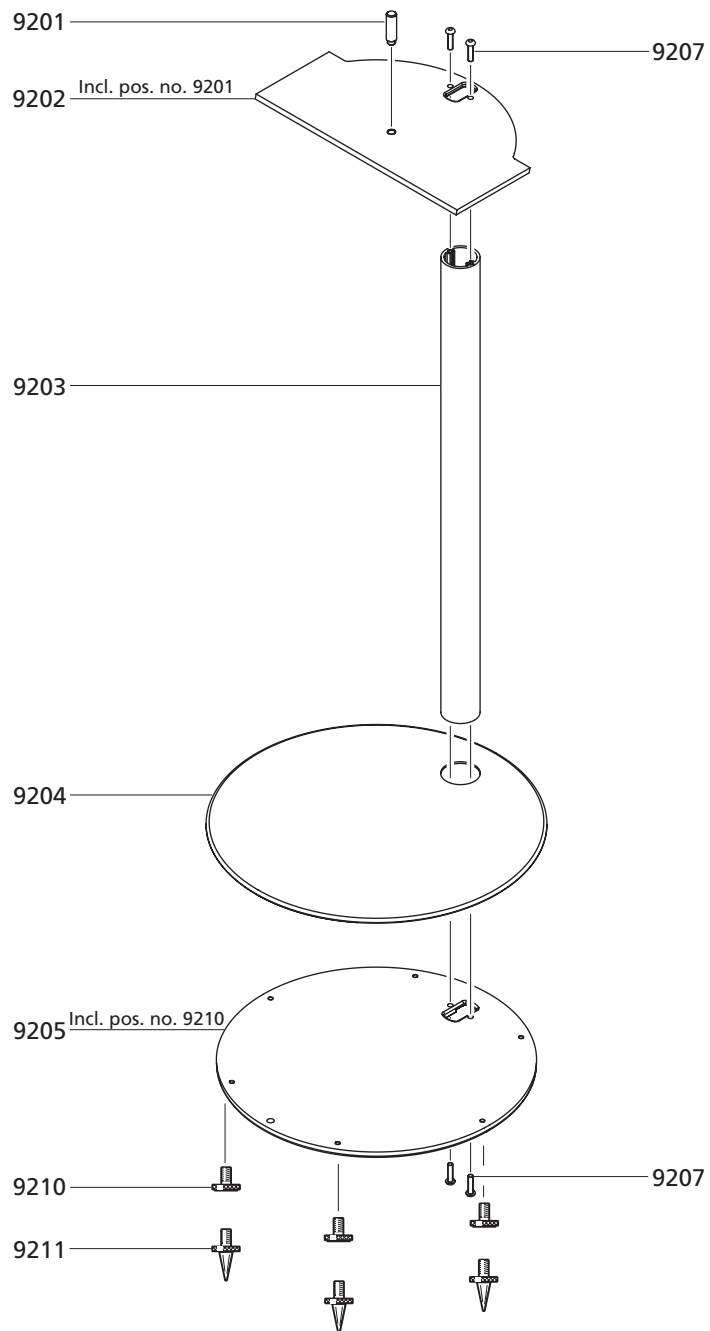
9520	3152790	Holder f/antenna
9521	2039014	Screw 3 x 20mm
9522	2777061	Handle, right and left
9523	2038130	Screw 3 x 25mm
9524	3031319	Wall plate
9525	1208726	System wall bracket, complete

---

3390341	Screw assortment
3390432	Wire holder assortment
3502996	Setting-up guide
3392185	Outer carton
3397774	Foam packing

---

Floor center stand – type 2068



9201	2993045	Pin
9202	3459259	Top plate incl. pos. no. 9201
9203	2950217	Aluminium tube
9204	3459258	Cover plate
9205	2752082	Foot incl. pos. no. 9210
9207	2044064	Screw M5x20mm
9210	3103392	Foot "soft"
9211	3103390	Foot "spike"

3390615	Bag incl. 4 pcs. of 9207, 6 pcs. of 9211 and 1 allen key	
3504636	Setting-up guide	
3392709	Outer carton	
3396132	Foam packing top/bottom	

## TM (test mode) names/function for adjustments and service

### Tuner test modes

TM 01: Automatic offset-adjustment for FM  
 TM 02: Manual offset-adjustment for FM  
 TM 03: Status for offset-adjustment  
 TM 04: Variant status  
 TM 06: Check RDS name  
 TM 07: Setting up of tuner variant

### Master test modes

TM 20: Test of display functions  
 TM 21: Open ML-out  
 TM 22: Test of keyboard functions  
 TM 23: Software version  
 TM 24: Service operation counter  
 TM 25: Open ML-in  
 TM 27: Service of error detection  
 TM 28: Validity test for ROM/RAM/EEPROM  
 TM 31: Set default settings  
 (TM 31 defaults all CD settings, radio settings and deletes all tracks from CD MEM!)  
 TM 32: Read-out of product ID  
 TM 34: Read-out of options  
 TM 35: Power down ON  
 TM 36: Power down OFF  
 TM 37: Set default settings  
 (TM 37 does not default CD MEM)

### CD test modes

TM 61: Focus on  
 TM 62: Focus off  
 TM 63: Starts turntable motor  
 TM 64: Stops turntable motor  
 TM 65: Light pen to outermost position  
 TM 66: Light pen to the innermost position  
 TM 67: Starts CD  
 TM 68: Stops CD  
 TM 70: Updates tracklist in EEPROM  
 TM 71: Power on the CODEC module  
 TM 78: Dump HDD serial number to EEPROM (used at replacement of the HDD)

## Test mode activating

Wait 20 - 30 sec. after connecting to mains.  
 By means of keyboard from St.by mode: Press **Display 0 2 5 8** with no more than 2 sec. between the individual enterings.  
 By means of remote control from St.by (can only be done if the product is not in option 0) :  
 Press **SHIFT 9 0 2 5 8** with only 2 sec. between.  
 The remote control has to be in RADIO or CD option.  
 In TM the tuner is fully functional and may overwrite the display but the TM will continue.

## Deactivating

Press ● and the display shows "TM OFF" or disconnect from mains.

**Glass doors lock**

When the glass doors are locked it is not possible to open them by magic open. The glass doors can only be locked if the product is in St. by, the glass doors are closed and only by remote control.

Press **SHIFT 9 0 3 6 9** with no more than 2 sec. between the individual entering.

The display shows "LOCKED".

To unlock the glass doors press **SHIFT 9 0 3 6 9** with no more than 2 sec. between the individual entering.

The display shows "UNLOCKED".

The function will be remembered in NVRAM after disconnecting from mains.

From TM01 to TM09.

- Wait 20 - 30 sec. after connecting to mains.
- By keyboard from St.by mode: Press **Display 0 2 5 8 RADIO** with no more than 2 sec. between the individual entering. Then key in the TM no.
- By remote control from St.by (can only be done if the product is not in option 0):
- Press **SHIFT 9 0 2 5 8** with no more than 2 sec. between the individual entering. Then key in TM no.

**TM01**

Automatic offset-adjustment for FM is done by letting the tuner search for the frequency 100 MHz (84 MHz for Japan) and when the signal is found the offset will be calculated and stored in NVRAM. The display shows "A OFFSET".

If failure the display shows "TM ERROR".

**TM02**

Manual offset-adjustment for FM is done by key-in a frequency. The tuner search tunes for this frequency and the offset will be calculated and stored in NVRAM.

The display shows "M OFFSET".

If failure the display shows "TM ERROR".

**TM03**

Read-out offset status.

If the offset-adjustment is needed the display shows "TM ERROR".

If the result of the offset-adjustment is positive the display shows "OFFSET n".

If the result of the offset-adjustment is negative the display shows "OFFSET -n".

The figure n is in steps of 12.5 kHz.

**TM04**

Read-out variant status: EUROPA (EU) FM, EUROPA (EU) FM/AM, USA (US) and JAPAN (JP). The display shows e.g. "EU FM/AM".

If failure the display shows "TM ERROR".

**TM06**

Checking that the RDS name of the radio programme in question is RDS-PS.

The display shows "TM OK".

If wrong RDS name or if name is missing the display shows "TM ERROR".

## TM07

Tuner variant setup:

If from EU or AUS to US:

Key in the 3 digits indicating the choice.

No. 0: 003 = variant US

No. 1: 001 = RDS on, or 000 = RDS off

No. 2: 175 = FM starts in 500 kHz

No. 3: 216 = FM stops in 500 kHz

No. 4: 075 = Deemphas in  $\mu$ s

No. 5: 000 = LW starts in kHz dividing with AM raster. 0 if no LW

No. 6: 000 = LW stops in kHz dividing with AM raster. 0 if no LW

No. 7: 053 = MW starts in kHz dividing with AM raster. 0 if no MW

No. 8: 171 = MW stops in kHz dividing with AM raster. 0 if no MW

No. 9: 010 = AM raster. Steps in kHz. 0 if no AM

If from US or AUS to EU.

No. 0: 001 = variant EU FM. (002 if EU FM/AM)

No. 1: 001 = RDS on, or 000 = RDS off

No. 2: 175 = FM starts in 500 kHz

No. 3: 216 = FM stops in 500 kHz

No. 4: 050 = Deemphas in  $\mu$ s

No. 5: 017 = LW starts in kHz dividing with AM raster. 0 if no LW

No. 6: 031 = LW stops in kHz dividing with AM raster. 0 if no LW

No. 7: 058 = MW starts in kHz dividing with AM raster. 0 if no MW

No. 8: 179 = MW stops in kHz dividing with AM raster. 0 if no MW

No. 9: 009 = AM raster. Steps in kHz. 0 if no AM

If from EU or US to AUS

No. 0: 005 = variant AUS

No. 1: 001 = RDS on, or 000 = RDS off

No. 2: 175 = FM starts in 500 kHz

No. 3: 216 = FM stops in 500 kHz

No. 4: 050 = Deemphas in  $\mu$ s

No. 5: 000 = LW starts in kHz dividing with AM raster. 0 if no LW

No. 6: 000 = LW stops in kHz dividing with AM raster. 0 if no LW

No. 7: 058 = MW starts in kHz dividing with AM raster. 0 if no MW

No. 8: 179 = MW stops in kHz dividing with AM raster. 0 if no MW

No. 9: 009 = AM raster. Steps in kHz. 0 if no AM



## TM20

Checking the display by showing 3 types of letters in 3 rounds until all pixels are used/tested.

Press **PLAY** to shift between icons in the display.

## TM21

Opens the signal from AUX-plug to the ML-output.

The display shows "AUX 2 ML".

## TM22

Test of key-board functions.

By pressing a key for instance **CD** the display will show "CD".

The testmode can only be ended by IR-remote control command "STOP".

This testmode can only be activated by IR-remote control command.

## TM23

Before activating TM23, right after have connected the mains, you need to activate all sources (radio, CD and CD MEM).

Read out of Software version. Press **PLAY** to continue.

AP xx.xxx = Application processor. (Main CPU)

OS xx.xxx = APOS

IO xx.xxx = I/O processor

TU xx.xxx = Tuner processor. (Tuner-FEP)

CD xx.xxx = CD processor. (CD-FEP)

CDM xx.xxx = PPI CODEC

## TM24

Service running counter.

First the Stand-by time will appear.

Press **PLAY** to toggle between the different counters.

- St. by time
- Radio-mode time
- CD-mode time
- CD MEM-mode time
- AUX-mode time
- N.Radio-mode time
- N.Music-mode time
- ML active time
- Theft protection active time
- Number of times the theft protection has been unlocked.
- CD Copy-active time

All numbers are stated in interval of 10. (e.g. 3 = 30.)

When all counters have been shown the display will ask for a new test mode.

## TM25

Opens ML-in.

A source must be selected to have a correct measurement.

Signal coming from the ML-in, exit on the PL and AUX as by normal selection.

## TM27

Service Error detection.

The last registered errors regarding EEPROM, ML, IIC-bus, RS232 driver, CD and lids can be read-out. This test mode is also used for deleting all error-registrations.

To toggle between error indications press **PLAY**. When all errors are read press **PLAY** to reset all errors registered or press **STOP** to keep error register.

By pressing ▲ or ▼ the time for errors will be shown.

YY.MM.DD

hh.mm.ss.

MEM: last EEPROM error.

- 2: EEPROM writes error
- 3: EEPROM reads error
- 4: EEPROM reads error only FF
- 11: EEPROM writes overflow
- 12: EEPROM controls init fail
- 13: EEPROM controls calloc fail
- 99: EEPROM content error

ML: Last error regarding to ML.

- 8: Link tied down
- 16: Link tied up
- 32: Configuration impossible

IIC: Component which gave the last error regarding IIC-bus.

- 102: Tuner FEP
- 136: Sound Processor
- 208: Clock

SER: The last error from the RS232 driver.

- 02: CDA queue not attached
- 03: CDA error timeout
- 04: CDA error unknown buf addr
- 05: CDA error data expected
- 06: CDA error unknown CMD
- 07: CDA error checksum
- 08: CDA error RX timeout
- 09: CDA error out of buffers
- 10: CDA error uart overrun
- 11: CDA error uart framing
- 12: CDA error uart parity

CD: CD error.

- 2: Focus error  
The CD could not focus within the time limit.
- 3: Radial error  
Set when the CD did not get on track after several retries.
- 4: Turntable motor error  
Set when the disc did not spin up or down within the limit.
- 5: PLL lock error  
Set when PLL is out of lock during tracking mode.
- 6: Jump error  
Set when a seek could not be performed or an error occurred during a binary search.
- 7: Subcode error  
Set when a subcode could not be read within the time limit.

- 8: TOC read error  
Set when the TOC could not be read, no access possible to lead-in.
- 20: Serial communication overrun error  
Expected command byte, but received a data byte.
- 22: Serial communication noise error  
Check did not match.
- 23: Serial communication software error  
Queue full.
- 37: Selection error

OS: Error in the operation system.

- 07: IL TLG from FEP to APOS
- 08: IL TLG from APOS to FEP
- 09: IL RX TX BUF limit
- 13: FEP does not exist

IO: Last error in the I/O driver.

- 01: IIC1 2 error
- 05: Cannot configure FEP
- 06: FEP communication error
- 07: IL TGL from FEP to APOS
- 08: IL TGL from APOS to FEP
- 09: Interlink RX TX BUF limit
- 14: FEP does not exist
- 21: MLSL timeout error
- 22: MLSL TX BUF full TLG does not send
- 23: ML key lost key repaired
- 24: External communication not allowed in preproject
- 25: LSL format error
- 26: LS IR format error
- 27: LSL TX imposs
- 28: LSL link tied up
- 29: LSL link tied down
- 30: Generic ICB error
- 31: ICB L7 timeout
- 32: ICB L7 illegal timeout
- 33: ICB L7 out of repositories
- 34: ICB L7 illegal L7 ack
- 35: ICB L7 Acknowledge unexpected
- 36: ICB L7 read response unexpected
- 37: ICB L7 illegal resource type
- 38: ICB L7 resource still running
- 39: ICB L7 resource already free
- 40: ICB L7 illegal IOP service
- 41: ICB L7 illegal IOP object
- 42: ICB L7 telegram flushed
- 43: ICB L7 resource disabled
- 44: ICB L7 HW clock illegal command
- 45: ICB L7 HW clock illegal event
- 46: ICB L2 retrans limit reached
- 47: IIC component disabled
- 48: Power down of IOP impossible
- 49: CDS bus disabled

AP: Last error in the main micro-processor.

- 16: Illegal timer ID
- 17: Timer not free
- 21: Illegal date value
- 22: Illegal time value
- 23: Illegal timer parameters
- 32: Illegal simple message ID
- 33: Out of message buffers
- 34: Message buffer virtual limit reached
- 64: Non ISR func. called from ISR
- 65: Physical stack limit reached
- 66: Stack virtual limit reached
- 67: Out of IAS objects
- 68: IAS signal lost
- 69: Overflow in IAS FIFO
- 70: IR queue not attached
- 71: LSL queue not attached
- 72: Scan queue not attached
- 73: Active keyscan queue not attached
- 74: Uart 0 queue not attached
- 75: TIIC queue not attached
- 76: RIIC queue not attached
- 77: Out of power down callback OBJ
- 78: Power down entered with timer running
- 79: Watchdog reset

IOP: Last error in the I/O microprocessor.

- 01: Watchdog reset
- 02: ICB layer 2 timeout
- 03: ICB layer 7 illegal service
- 04 ICB layer 7 illegal object
- 05: Reg mem data frame not valid
- 06: Data frame not valid
- 07: Illegal port ID
- 08: LSL TX impossible
- 09: LSL tied up
- 10: LSL tied down
- 11: IIC slave buffer full
- 12: IIC slave transmit timeout
- 13: IIC illegal switch port
- 14: IIC2 slave addressed
- 15: IIC conditional polling timeout
- 16: IOP IIC error
- 17: PD entered while service waitning
- 18: TP ICBL7 illegal command
- 19: TP module HW error APOS
- 21: TP clock error APOS

- CD MEM: Last error in CD MEM
- 00: No error
  - 01: Illegal command
  - 02: Illegal group id value
  - 03: Illegal cd id value
  - 04: Illegal track id value
  - 05: Execution error
  - 06: Command not allowed now
  - 07: Operation not allowed now
  - 08: Illegal name
  - 09: Bad song
  - 10: Record failure
  - 11: Illegal return code
  - 16: HDD format error
  - 17: HDD internal error
  - 18: HDD access error
  - 19: HDD copy failure
  - 20: HDD move error
  - 21: HDD bin full
  - 22: HDD delete error
  - 23: HDD defragment error

**TM28**

This TM checks the function of ROM, RAM, EEPROM. (O, A, P).  
 To readout TM, O and A have to be (+).  
 E.g. MEM +-+ indicates error in the EEPROM.

**TM31**

(During TM31, do not disconnect the mains before "OK" is displayed. This can take several minutes).

Default settings for sale purpose.

Option: 1  
 Volume: 32  
 Balance: 0  
 Bass: 0  
 Treble: 0  
 Loudness: OFF

Radio programs erased. CD settings erased. CD MEM erased (all tracks is deleted)
--

! (TM37 is similar, but does not contain the CD MEM step)

Timer settings erased.

After default settings the display shows DEFAULT TM ERROR.

If error occurs in TM the display will show TM ERROR.

Item-number, serial-number, type-number, master pin-code, running counter and all offset adjustments will not be erased.

**TM32**

ID-readout of the product.

Press **PLAY** to toggle between the ID-numbers.

Item = 7 figures.

Type = 4 figures.

Serial = 8 figures.

MA PIN = OK or ERR.

If error in the readout all figures = 0.

---

TM34	Option readout.
TM35	Power down ON. When power down mode is possible the display = TM OK.
TM36	Power down OFF. When power down mode is not possible the display = TM OK.
TM37	Default settings for sale purpose. Option: 1 Volume: 32 Balance: 0 Bass: 0 Treble: 0 Loudness: OFF Radio programs erased. CD settings erased. Timer settings erased. After default settings the display shows DEFAULT TM ERROR. If error occurs in TM the display will show TM ERROR. Item-number, serial-number, type-number, master pin-code, running counter and all offset adjustments will not be erased.
To use CD test modes it is necessary to select CD, in the TM the HF-signal will not be used	
TM61	Focus ON. The CD-pen will try to focus. This TM can only be turned off by using TM62.
TM62	Focus OFF. The CD-pen will be turned OFF.
TM63	Starts turntable motor. This TM can only be turned off by using TM64.
TM64	Turns off the turntable motor.
TM65	Light pen to outermost position. The optical pickup unit goes to the outermost position and stays there. This TM can only be turned off by TM66. Do not give other commands in the meantime.
TM66	Light pen to the innermost position. The optical pickup unit goes to the innermost position and stays there.

**TM67**

The CD starts playing.

**TM68**

The CD stops playing.

When error in CD-TM the Error-number refers to TM27 CD-errors.

**TM70**

Updates tracklist in EEPROM (is used when HDD is replaced).

(Can take several minutes, depending on the amount of recorded material).

**TM71**

CODEC power on.

Is used to power up the CODEC module when the module is flash updated.

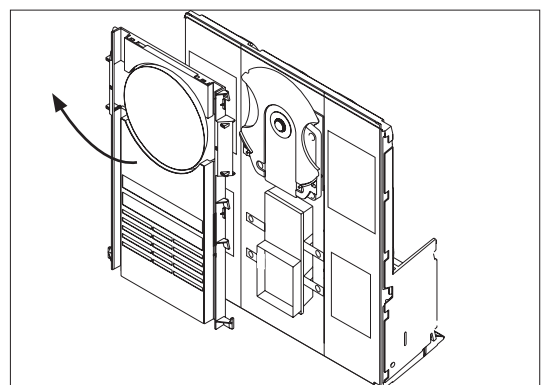
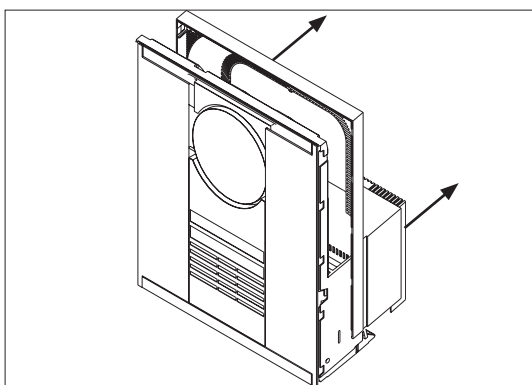
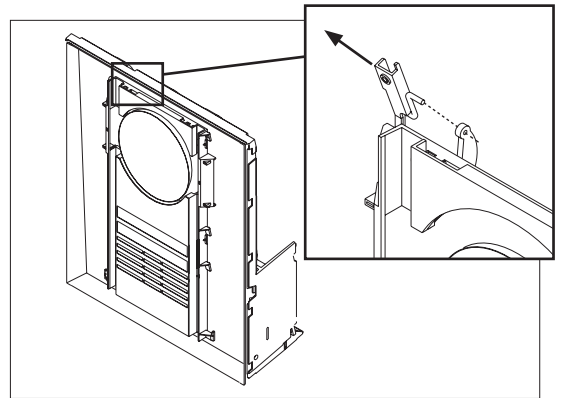
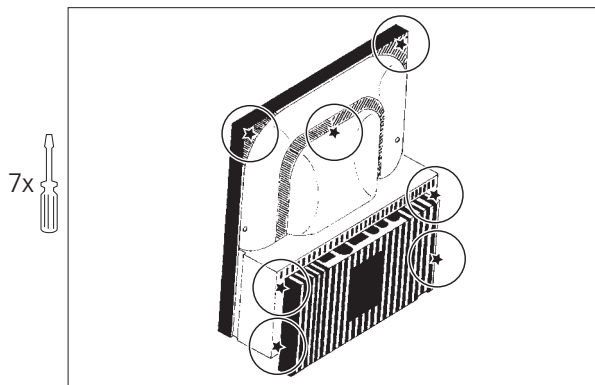
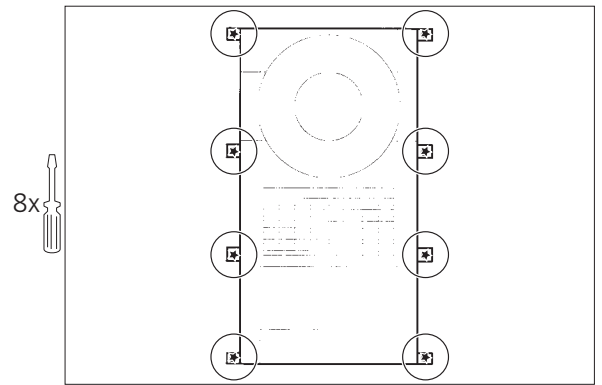
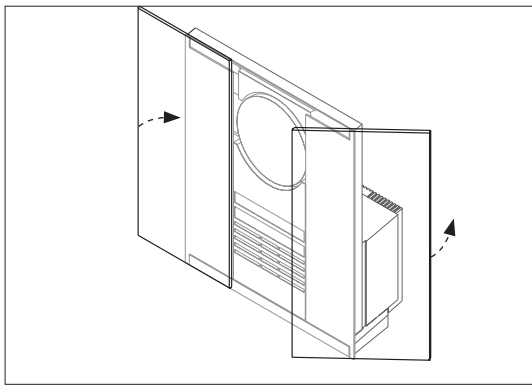
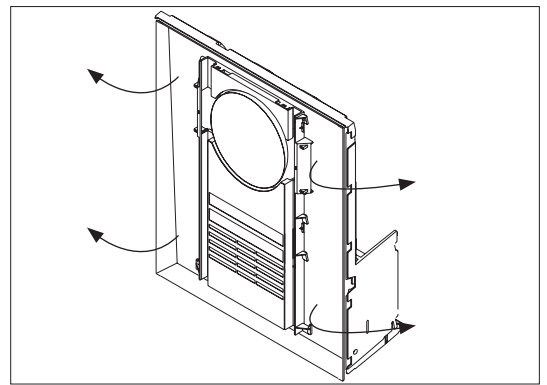
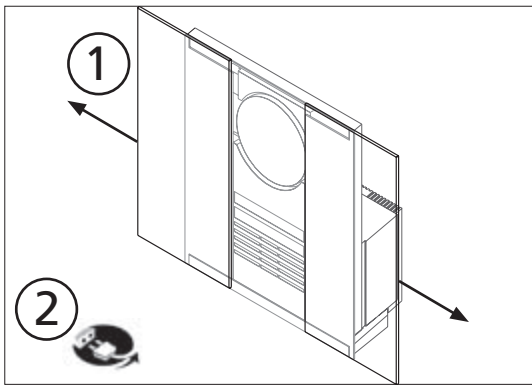
The display show "FLASH" during the testmode.

**TM78**

Store HDD serial number in EEPROM.

(Is used after replacement of the HDD).

BeoSound 3200 in service position





## Service tool

This is a short description of the service tool, a full description will follow the HDR-A kit.

When ordering a HDR-A kit you will be able to:

Copy the contents from the old HDD to the new (depending on the defect)

Flash update the PPI sw on the CODEC module

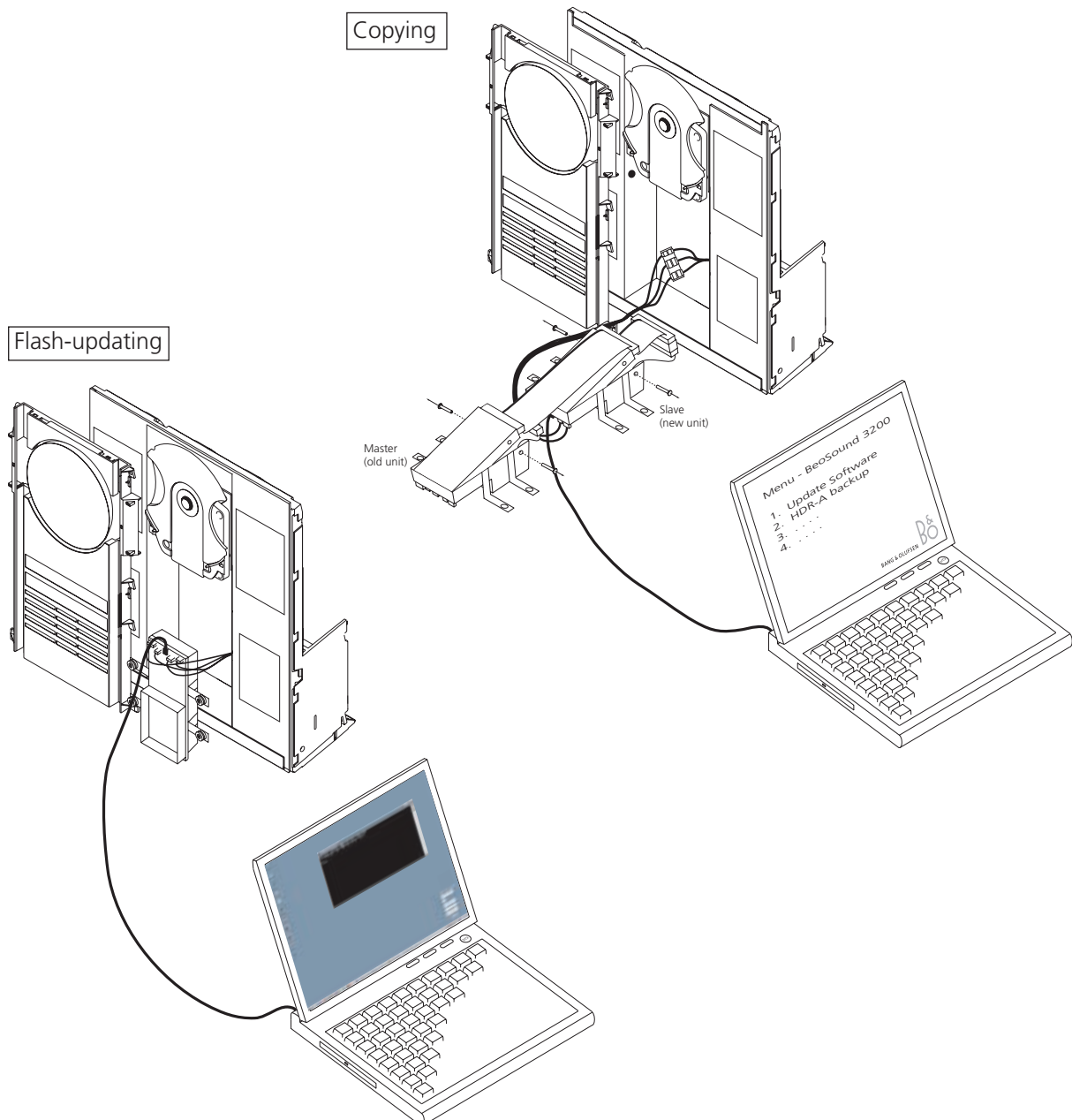
Outread the HDD serial number

Format every single group (red, blue, yellow or green)

Etc.

All actions is performed by connecting the CODEC module to a computer via USB cable.

All cables will follow the HDR-A kit (and the service tool program is downloaded from the Retail System).



## Insulation test

Each set must be insulation tested after having been dismantled.  
Make the test when the set has been reassembled and is ready to be returned to the customer.

Flashovers must not occur during the testing procedure!

Make the insulation test as follows:

Short-circuit the two pins of the mains plug and connect them to one of the terminals of the insulation tester. Connect the other terminal of the insulation tester to the chassis pin of the headphone socket.

NOTE!

To avoid damaging the set it is essential that both terminals of the insulation tester have good contact.

Slowly turn the voltage control of the insulation tester until a voltage of 2.5kV and max. 10mA is obtained. Maintain that voltage for one second, then slowly turn it down again.

## Isolationsprüfung

Nach der Zerlegung muß bei jedem Gerät eine Isolationsprüfung vorgenommen werden.

Prüfung vornehmen, wenn das Gerät zusammengebaut und zur Auslieferung an den Kunden bereit ist.

Während der Prüfung dürfen keine Überschläge auftreten!

Isolationsprüfung folgendermaßen vornehmen:

Beide Stifte des Netzsteckers kurzschließen und mit einer der Klemmen des Isolationsprüfers verbinden. Andere Klemme des Isolationsprüfers am Masseanschluß der Kopfhörerbuchse anschließen.

ACHTUNG!

Um Beschädigungen des Geräts zu vermeiden, müssen beide Klemmen des Isolationsprüfers unbedingt einen einwandfreien Kontakt haben.

Spannungseinstellung des Isolationsprüfers langsam auf eine Spannung von 2,5 kV und max. 10mA erhöhen. Diese Spannung eine Sekunde beibehalten, anschließend langsam verringern.