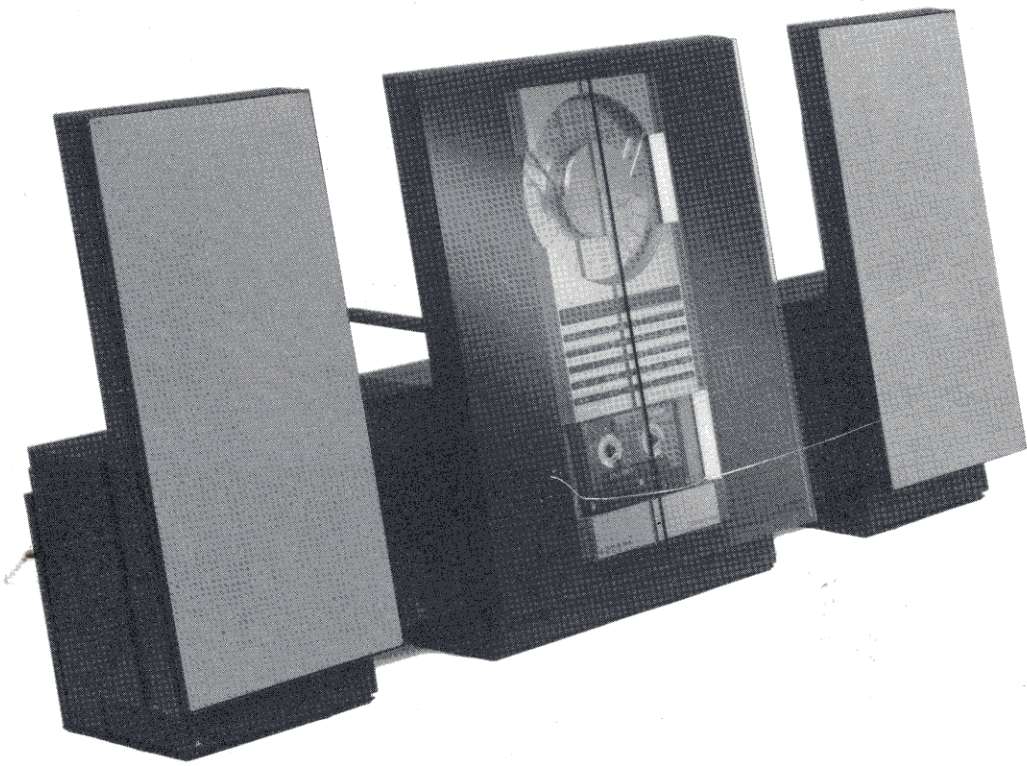




Description de Circuits



Beosystem 2500

FM TUNER

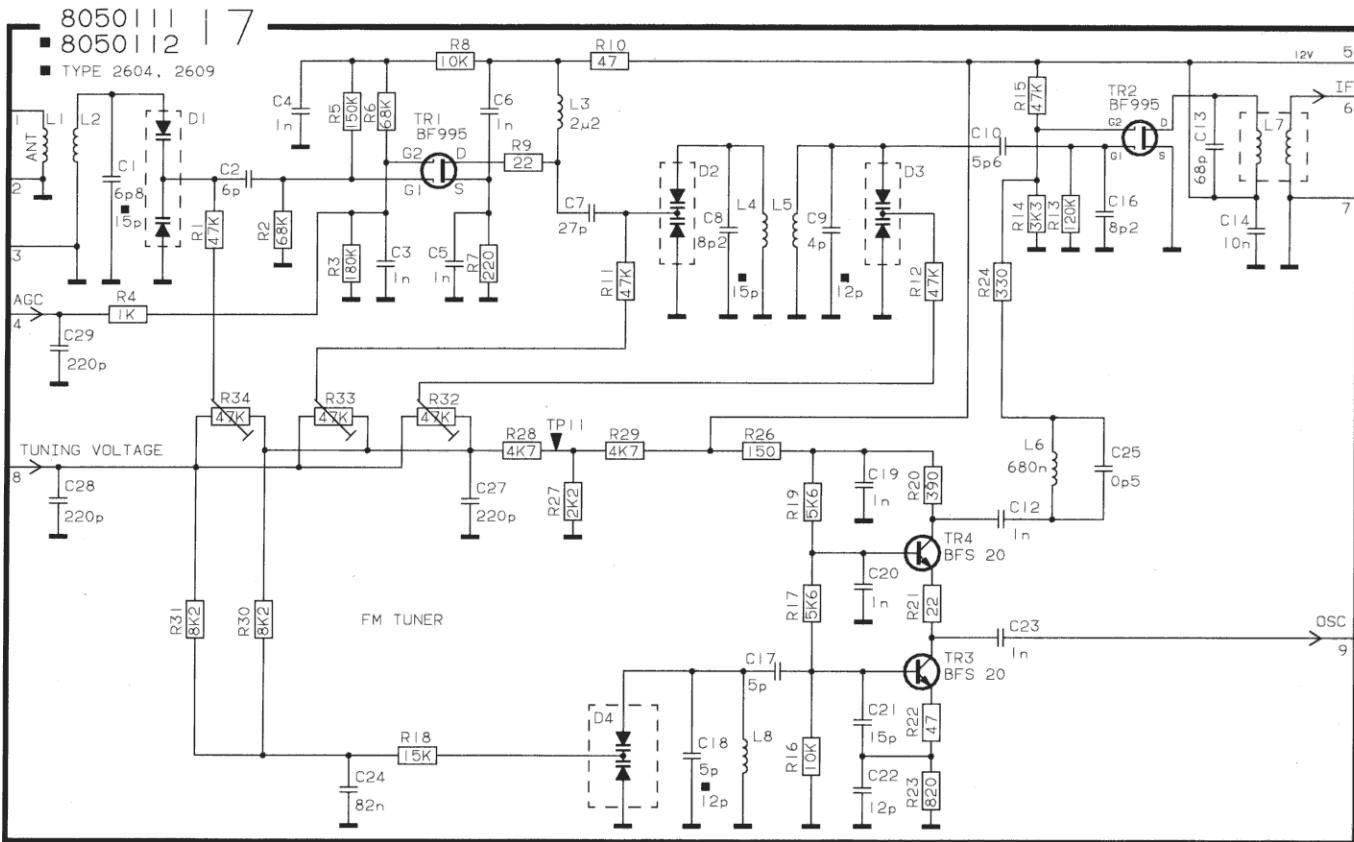


DIAGRAM A FM/AM, RF, IF decoder

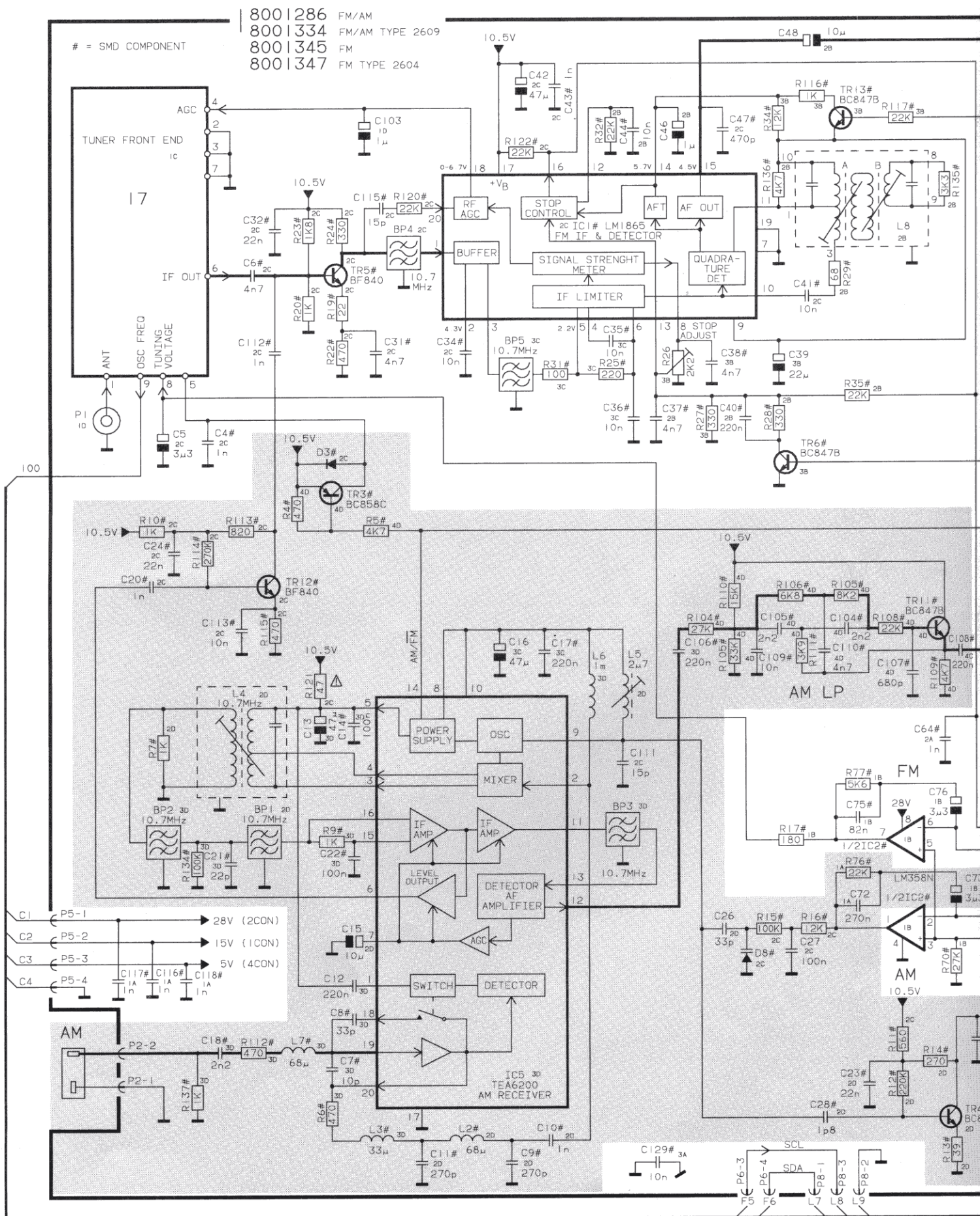
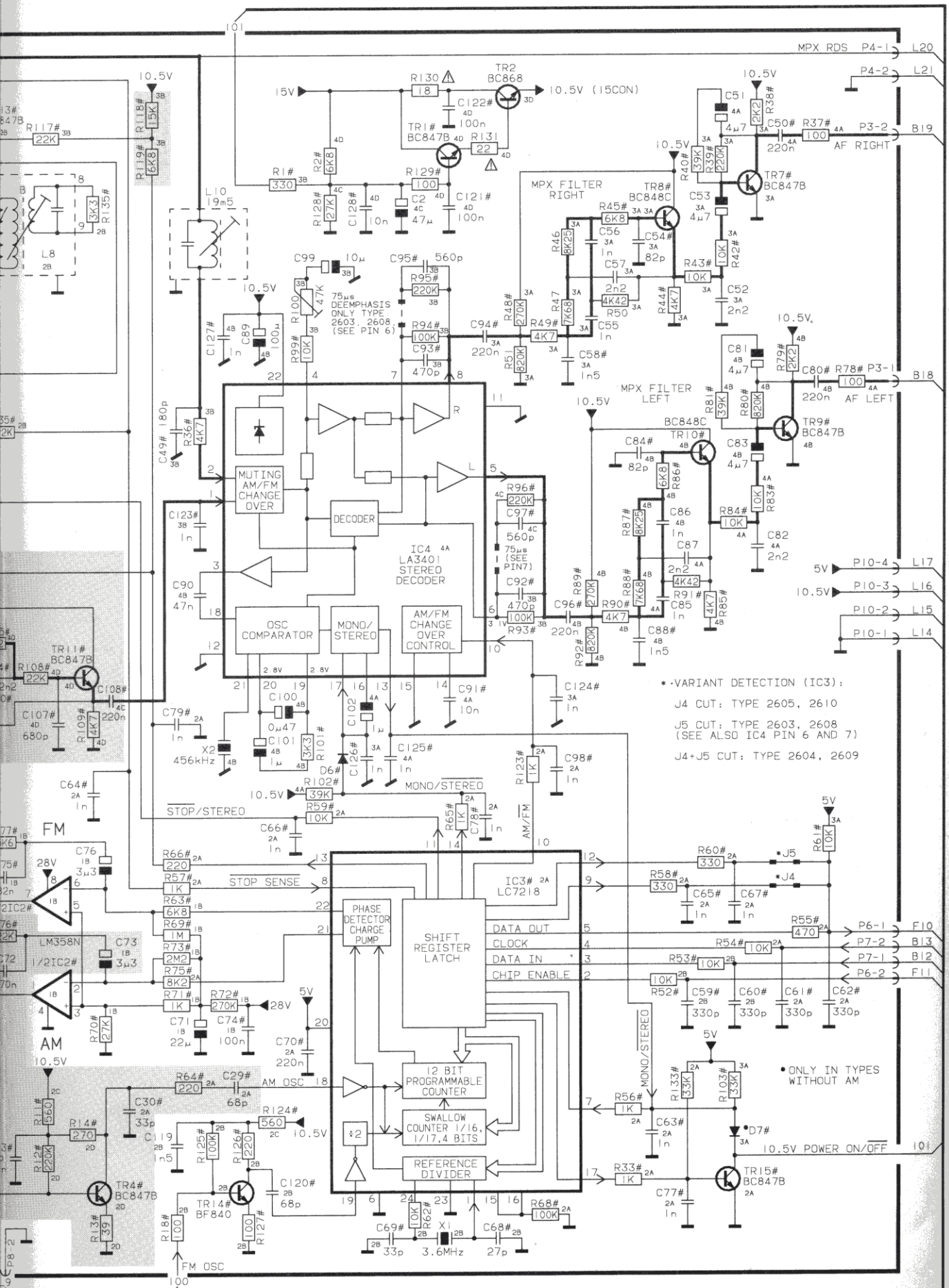


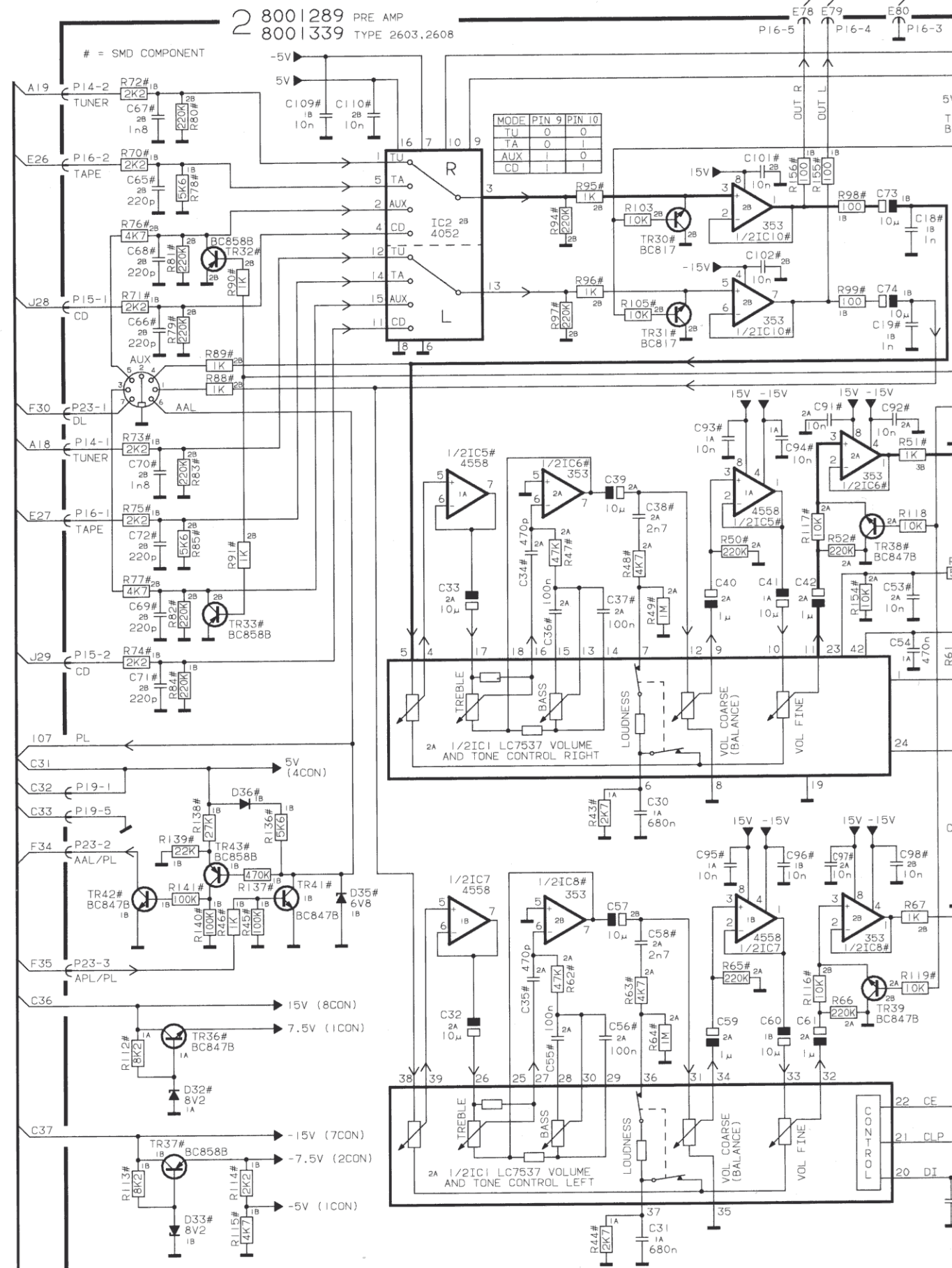
DIAGRAM A



• VARIANT DETECTION (IC3):
 J4 CUT: TYPE 2605, 2610
 J5 CUT: TYPE 2603, 2608
 (SEE ALSO IC4 PIN 6 AND 7)
 J4+J5 CUT: TYPE 2604, 2609

• ONLY IN TYPES WITHOUT AM

DIAGRAM B PRE AMPLIFIER



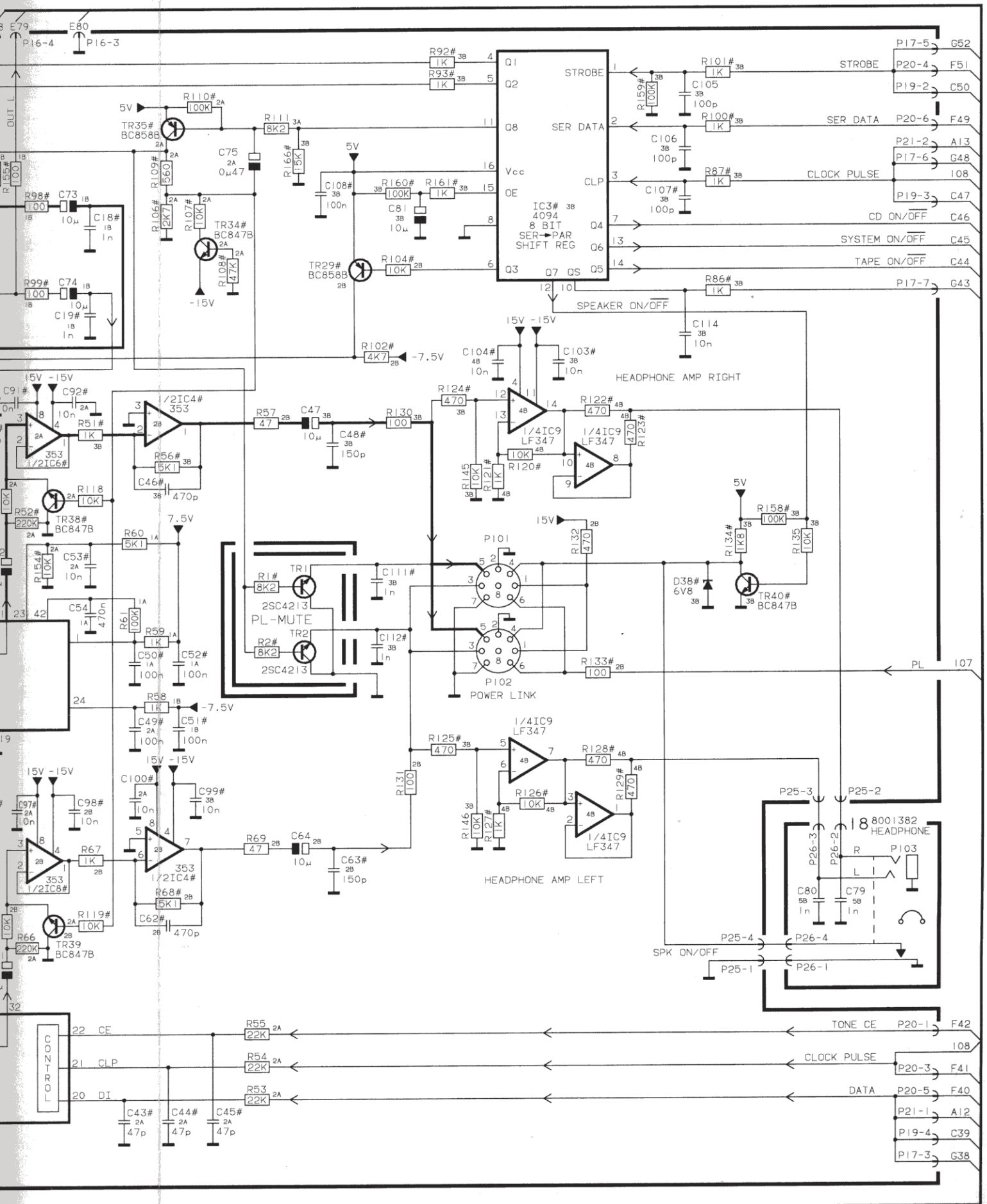
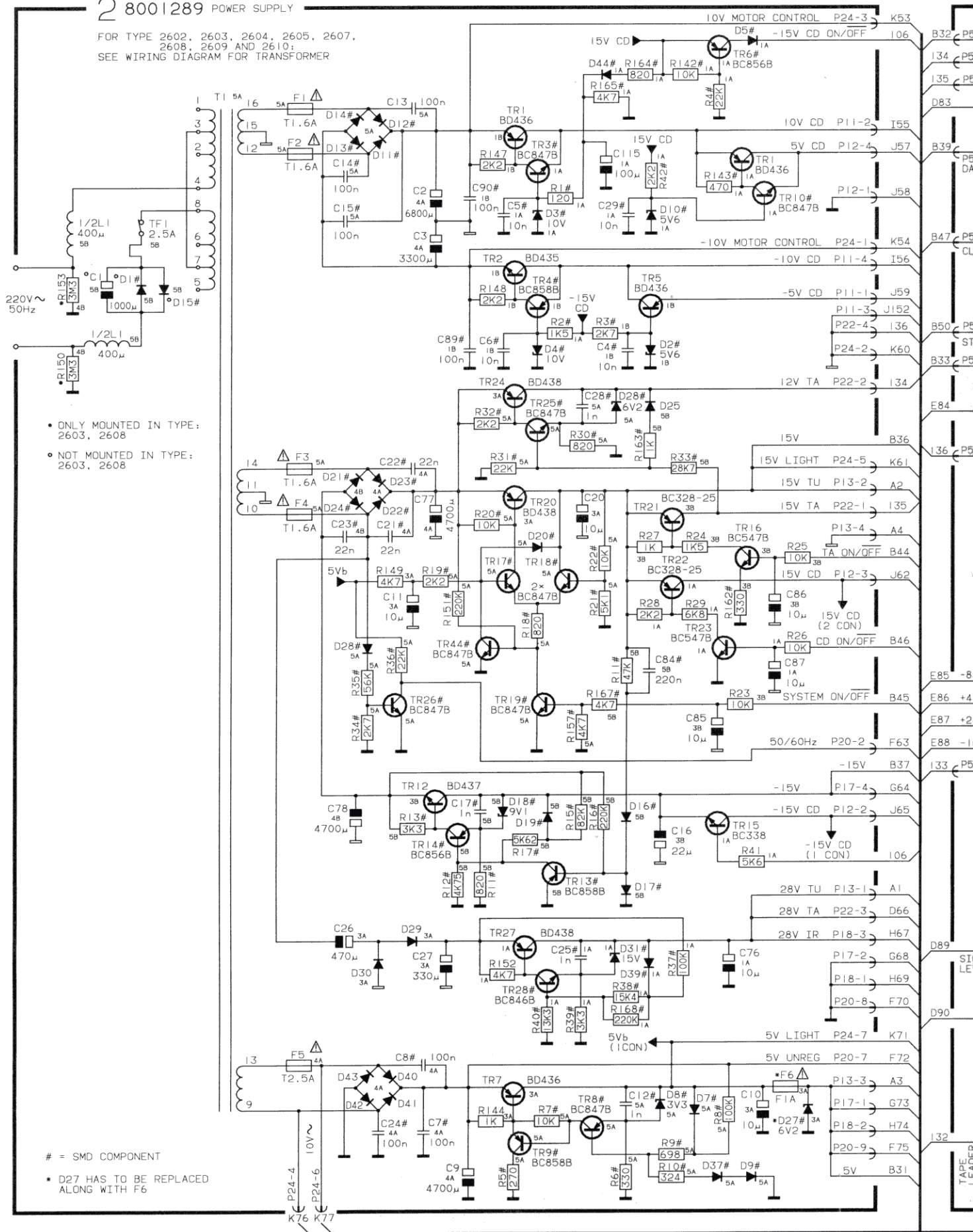


DIAGRAM C POWER SUPPLY, TAPE DATA CONTROL

2 8001289 POWER SUPPLY

FOR TYPE 2602, 2603, 2604, 2605, 2607,
2608, 2609 AND 2610;
SEE WIRING DIAGRAM FOR TRANSFORMER



- ONLY MOUNTED IN TYPE:
2603, 2608
- NOT MOUNTED IN TYPE:
2603, 2608

- # = SMD COMPONENT
- D27 HAS TO BE REPLACED
ALONG WITH F6

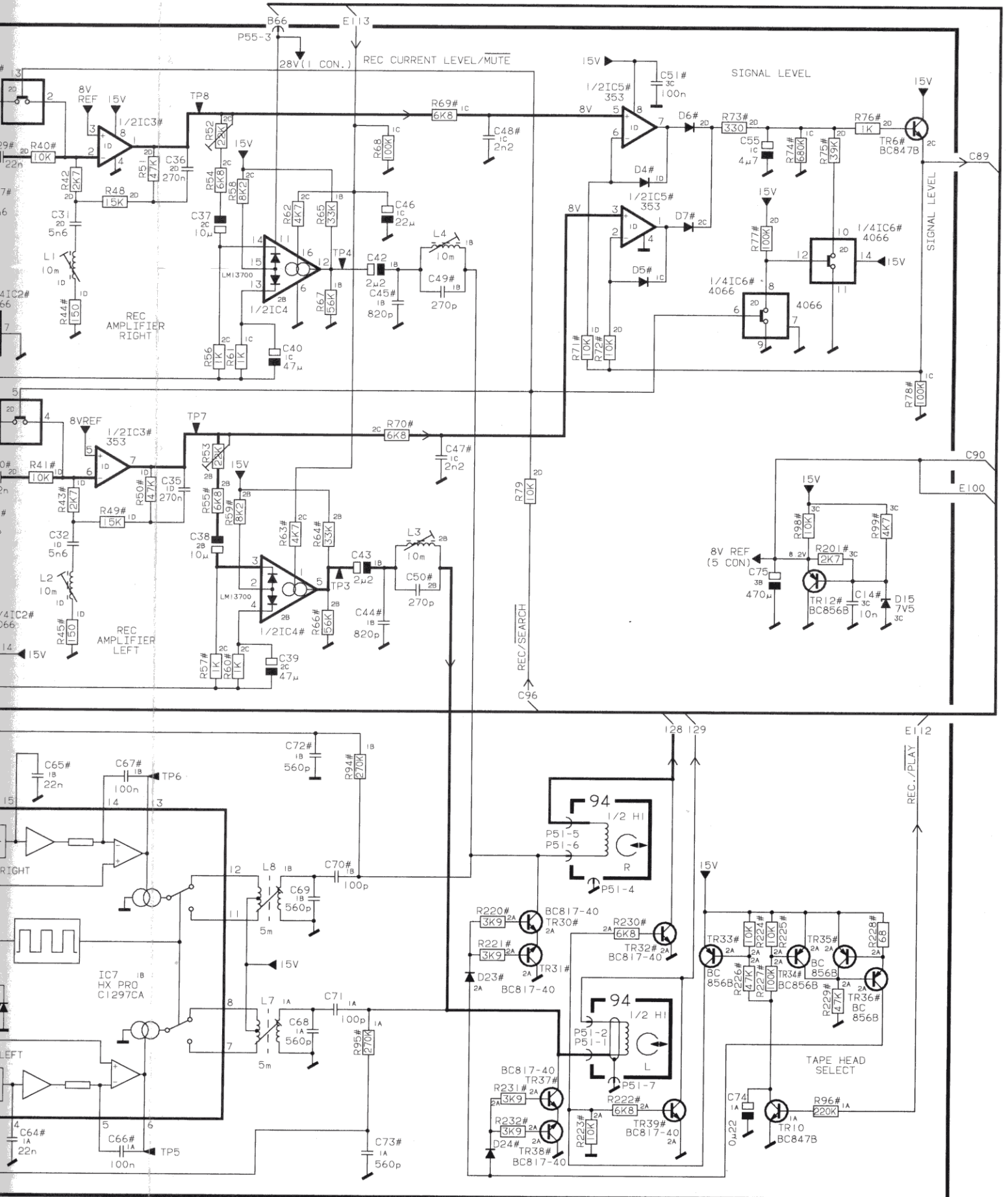
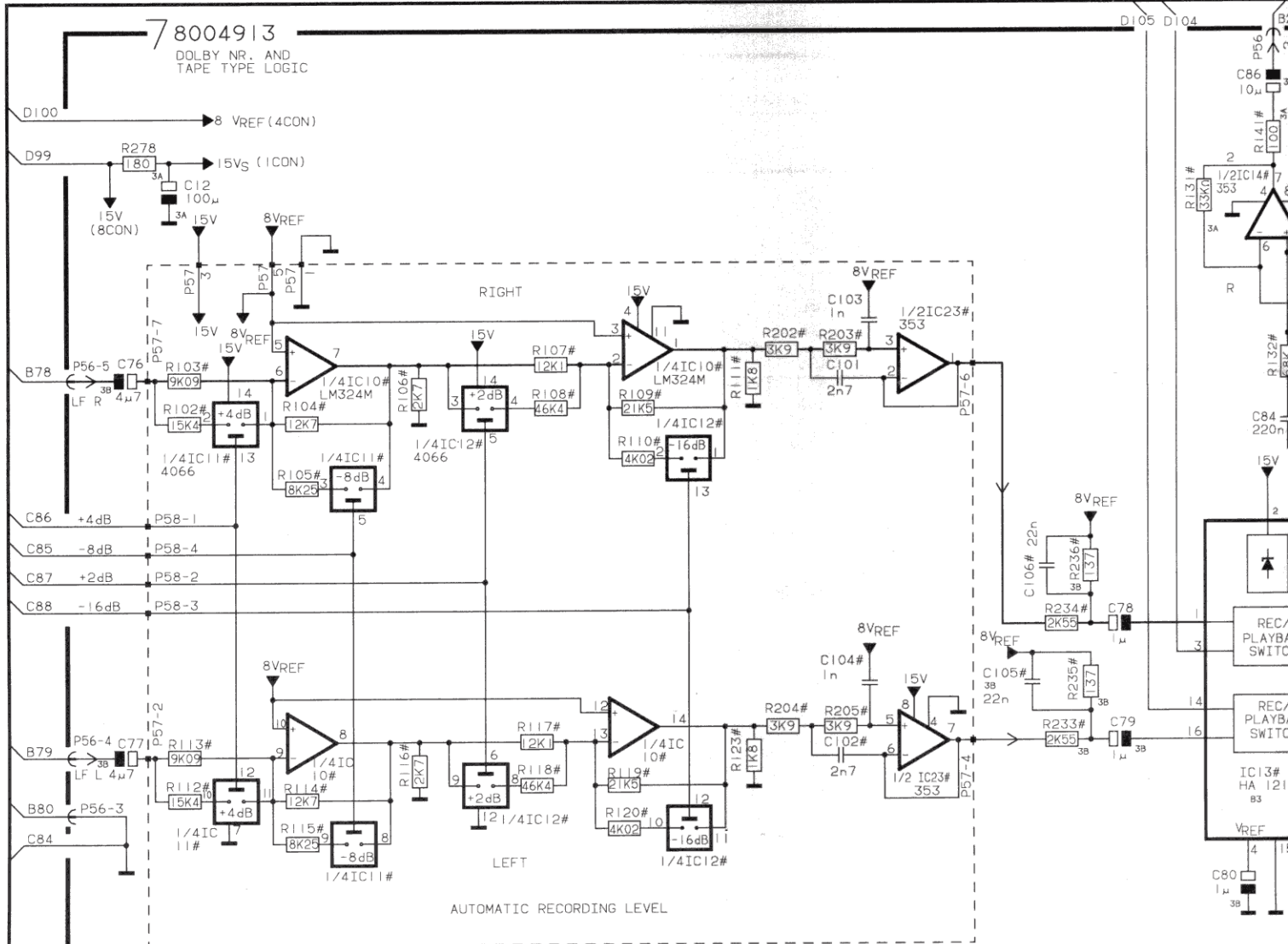
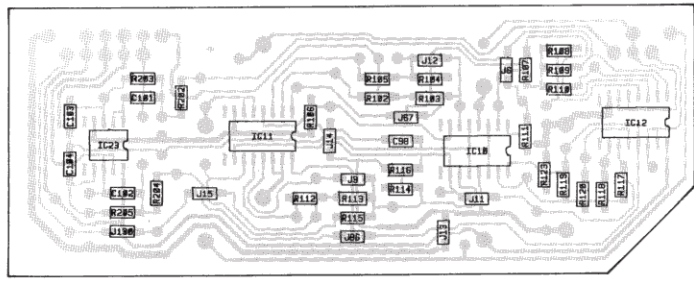


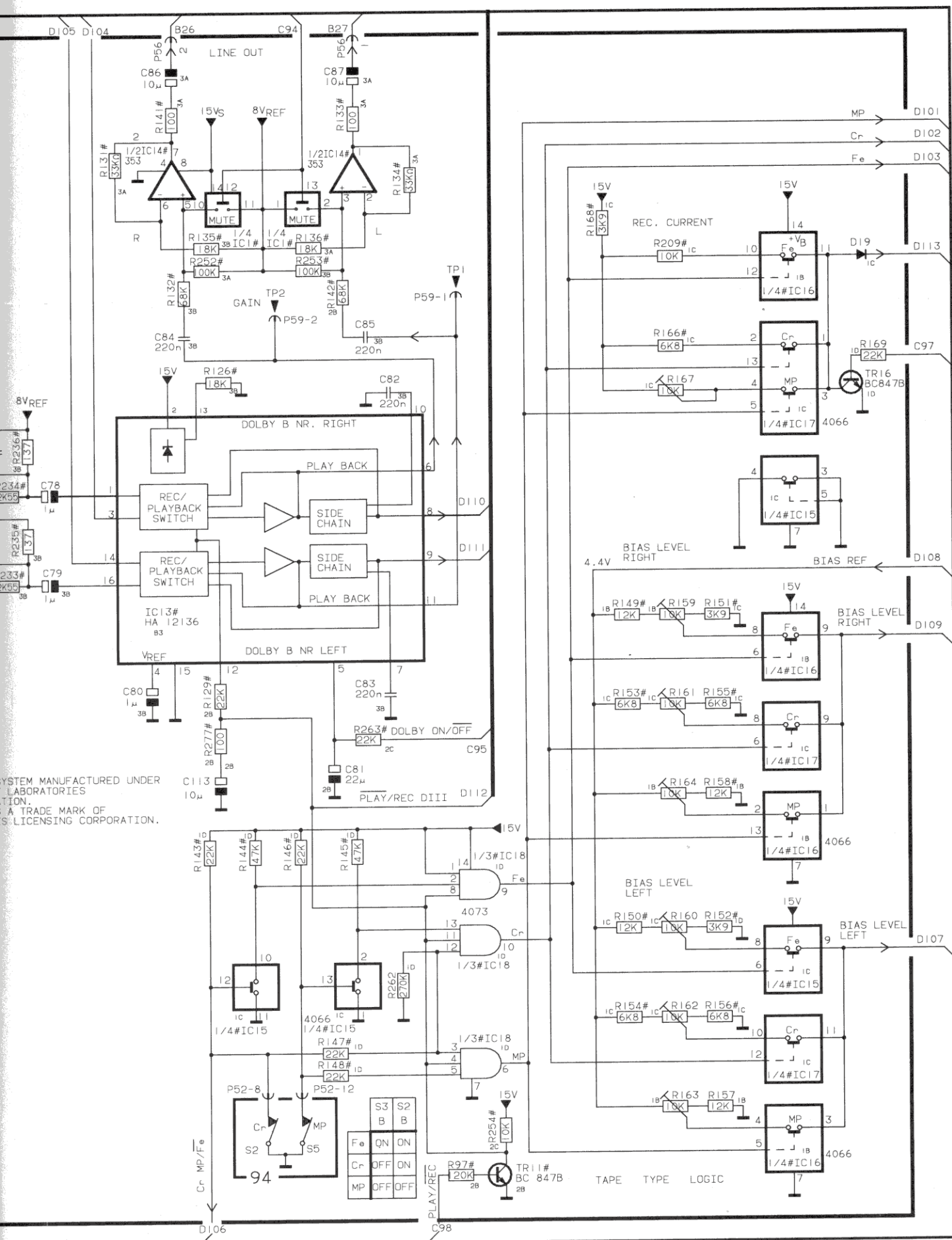
DIAGRAM E DOLBY NR AND TAPE TYPE LOGIC



NOISE REDUCTION SYSTEM MANUFACTURED UNDER LICENSE FROM DOLBY LABORATORIES LICENSING CORPORATION. THE WORD DOLBY IS A TRADE MARK OF DOLBY LABORATORIES LICENSING CORPORATION.

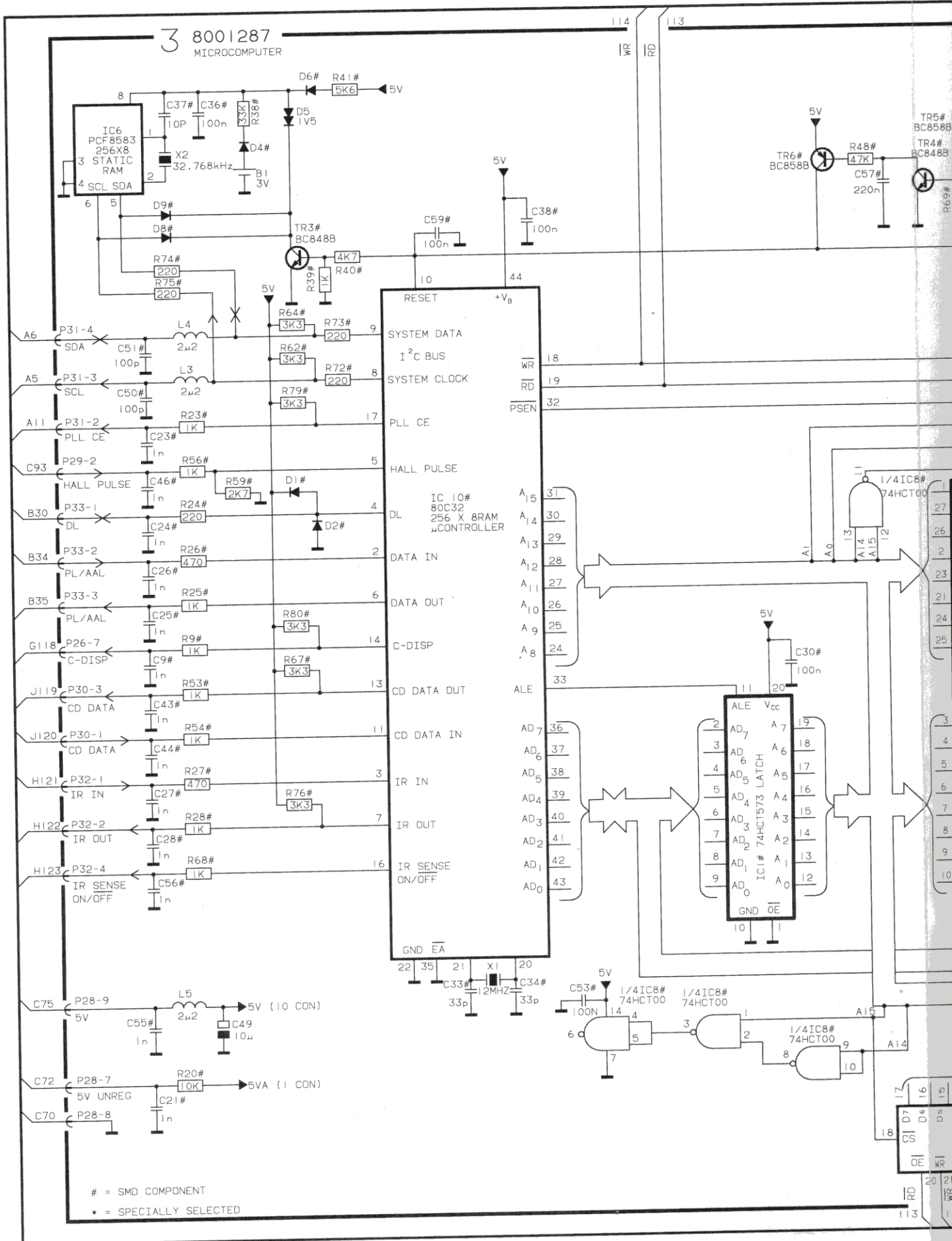


= SMD COMPONENT



SYSTEM MANUFACTURED UNDER
LABORATORIES
TION.
A TRADE MARK OF
S. LICENSING CORPORATION.

DIAGRAM F MICROCOMPUTER



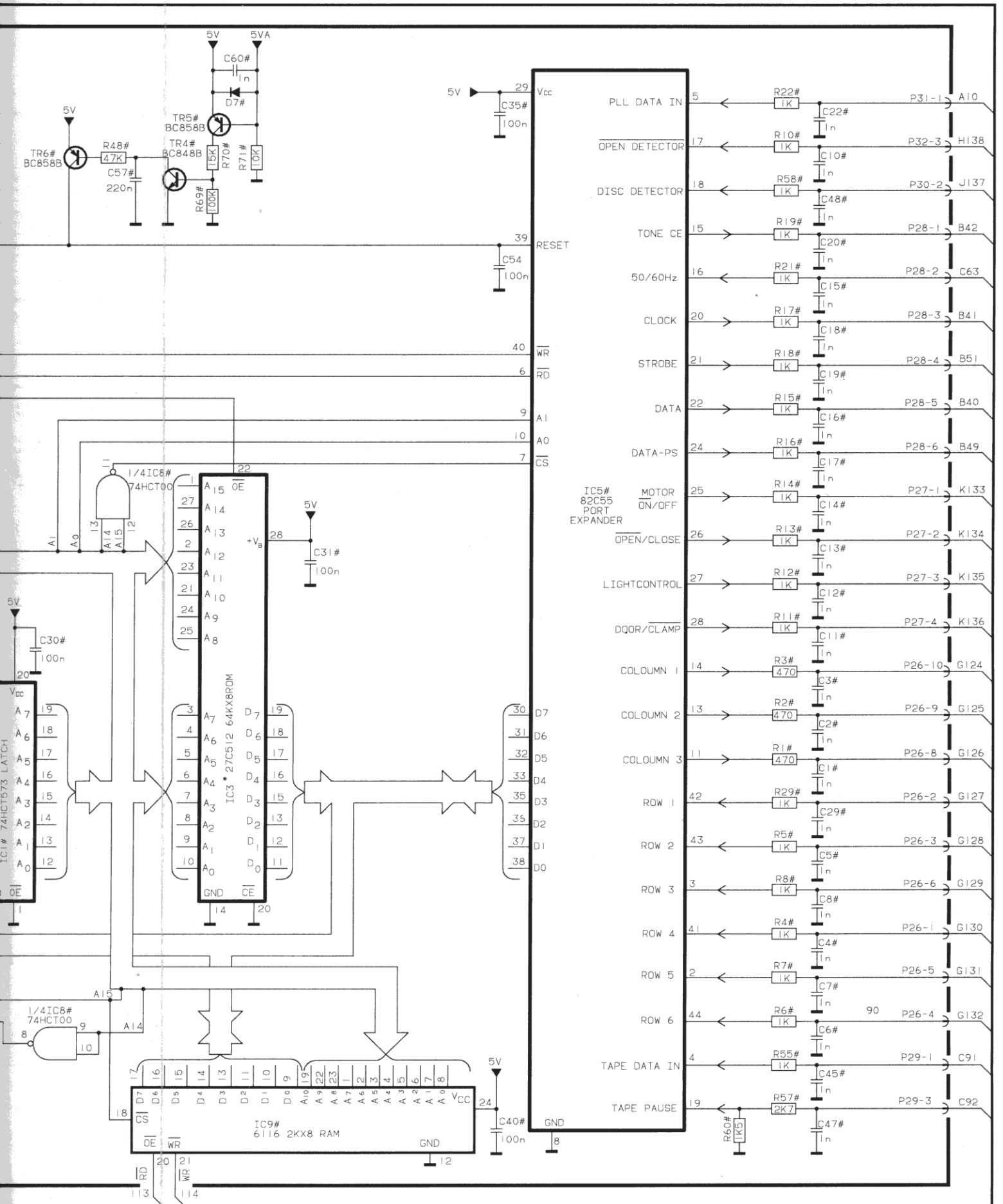
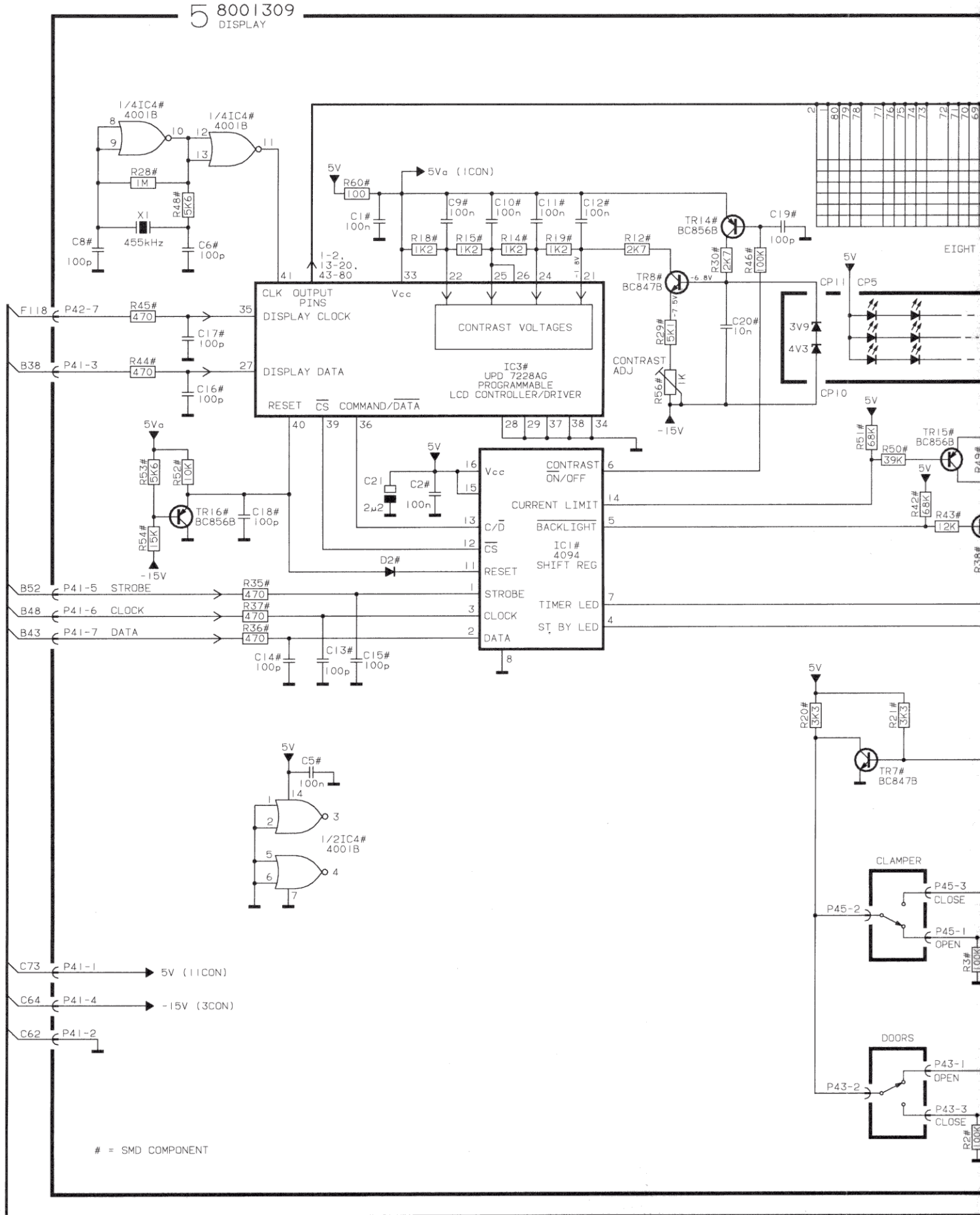
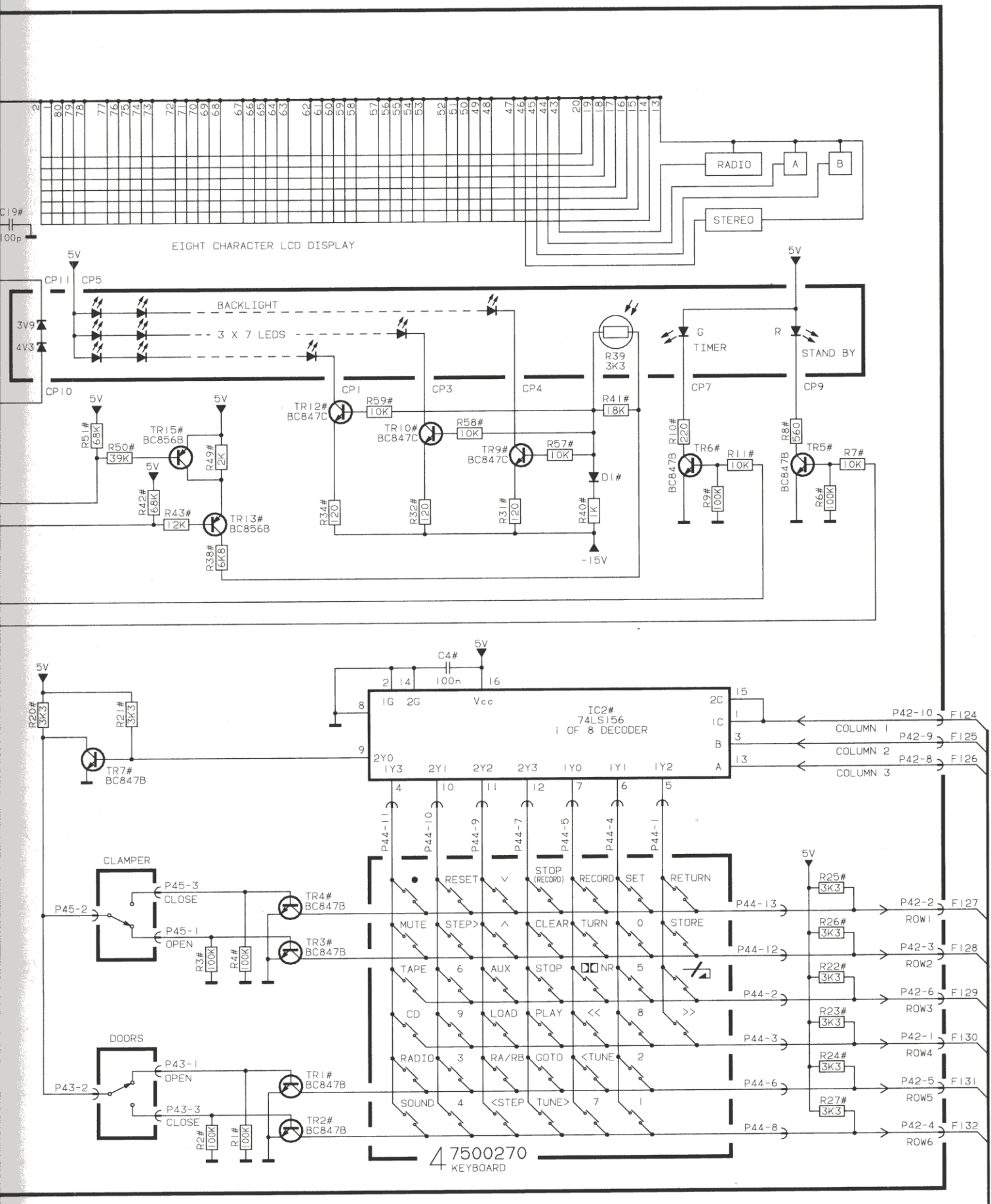
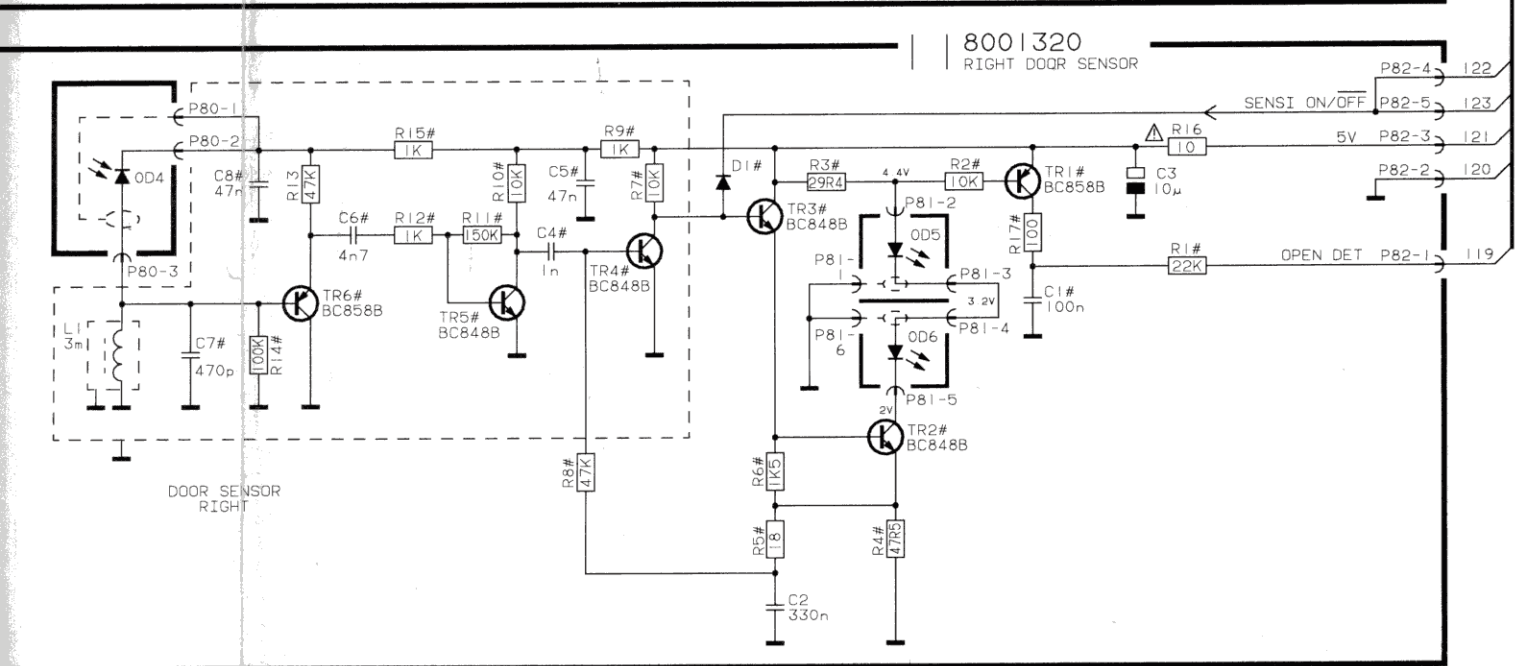
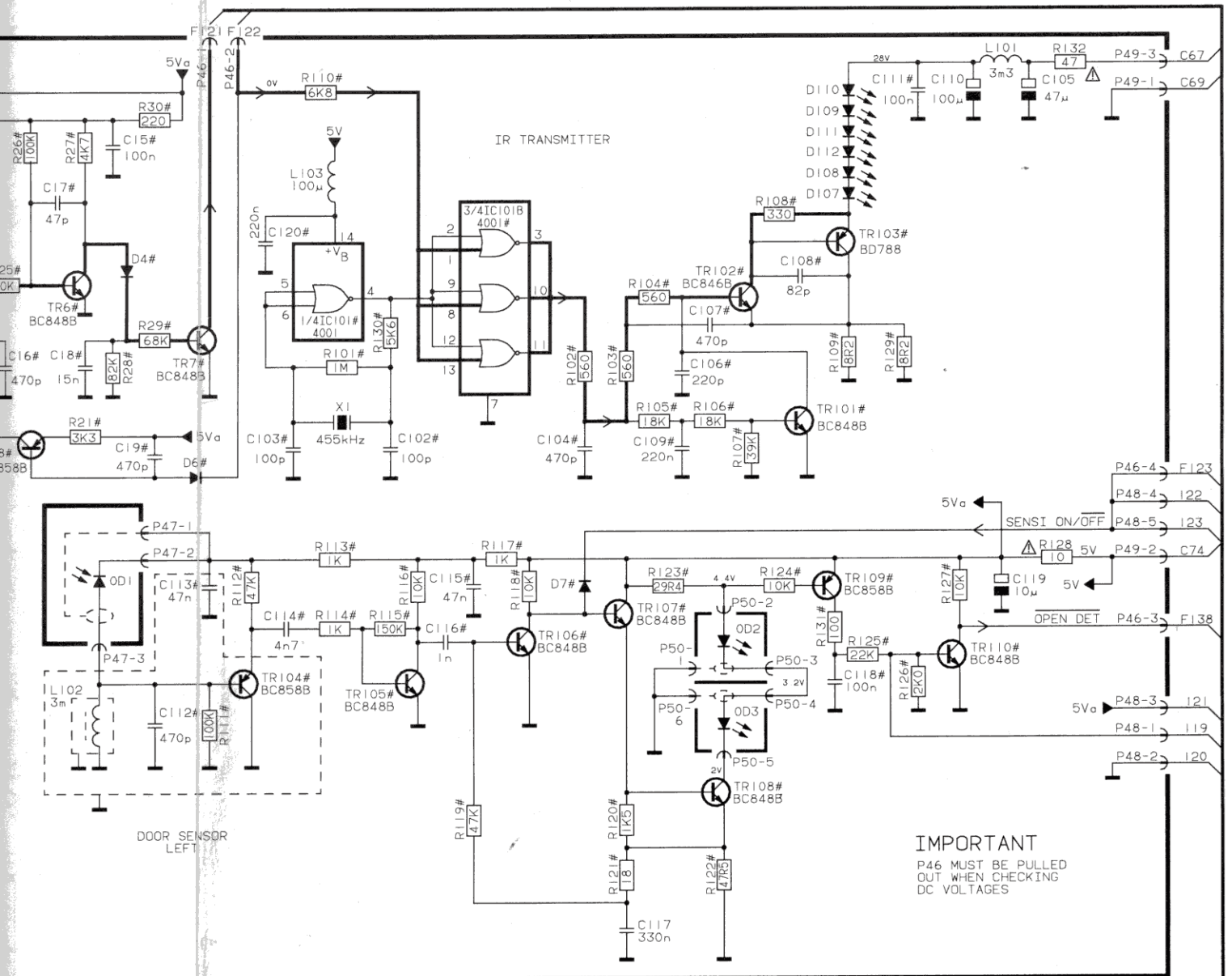
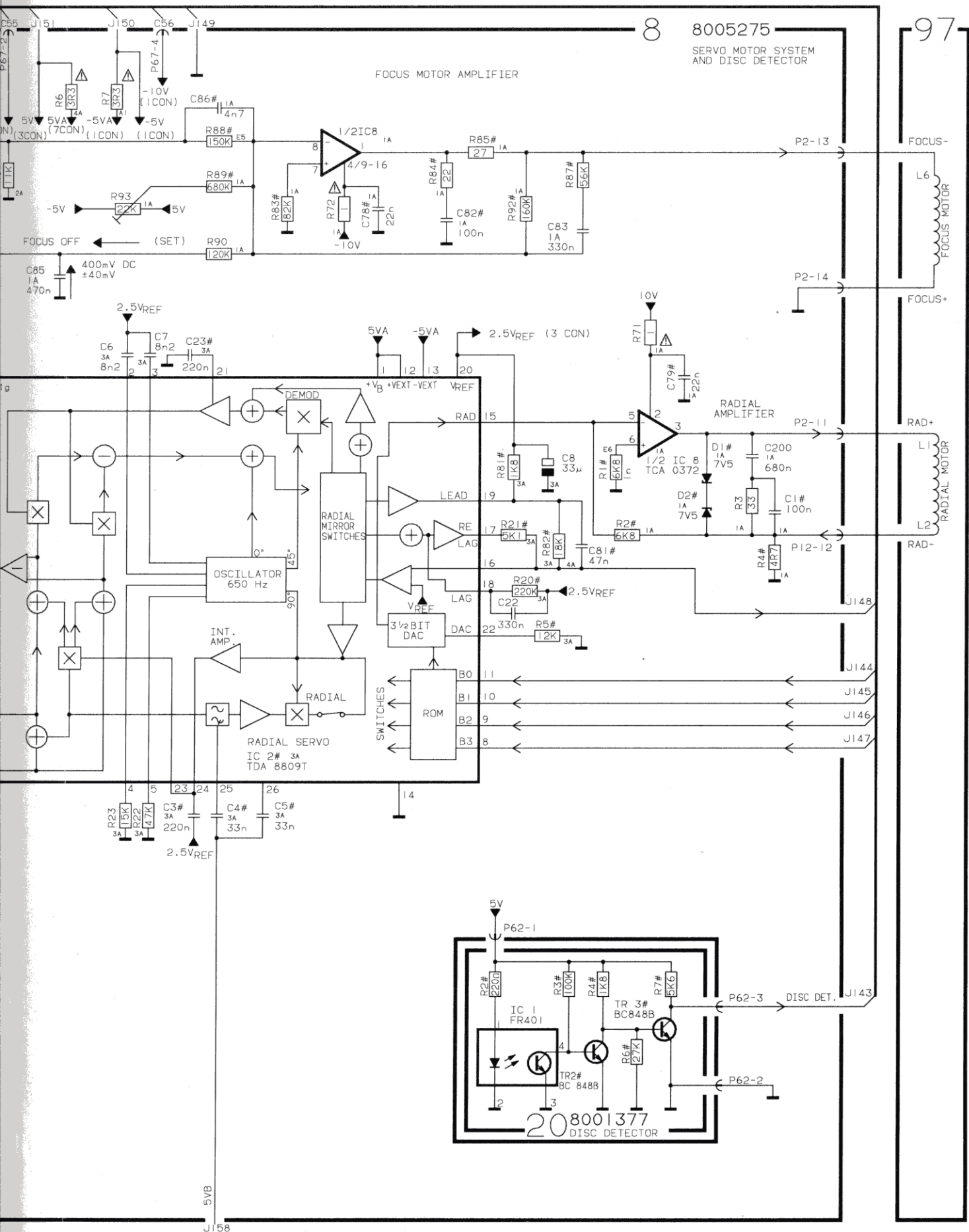


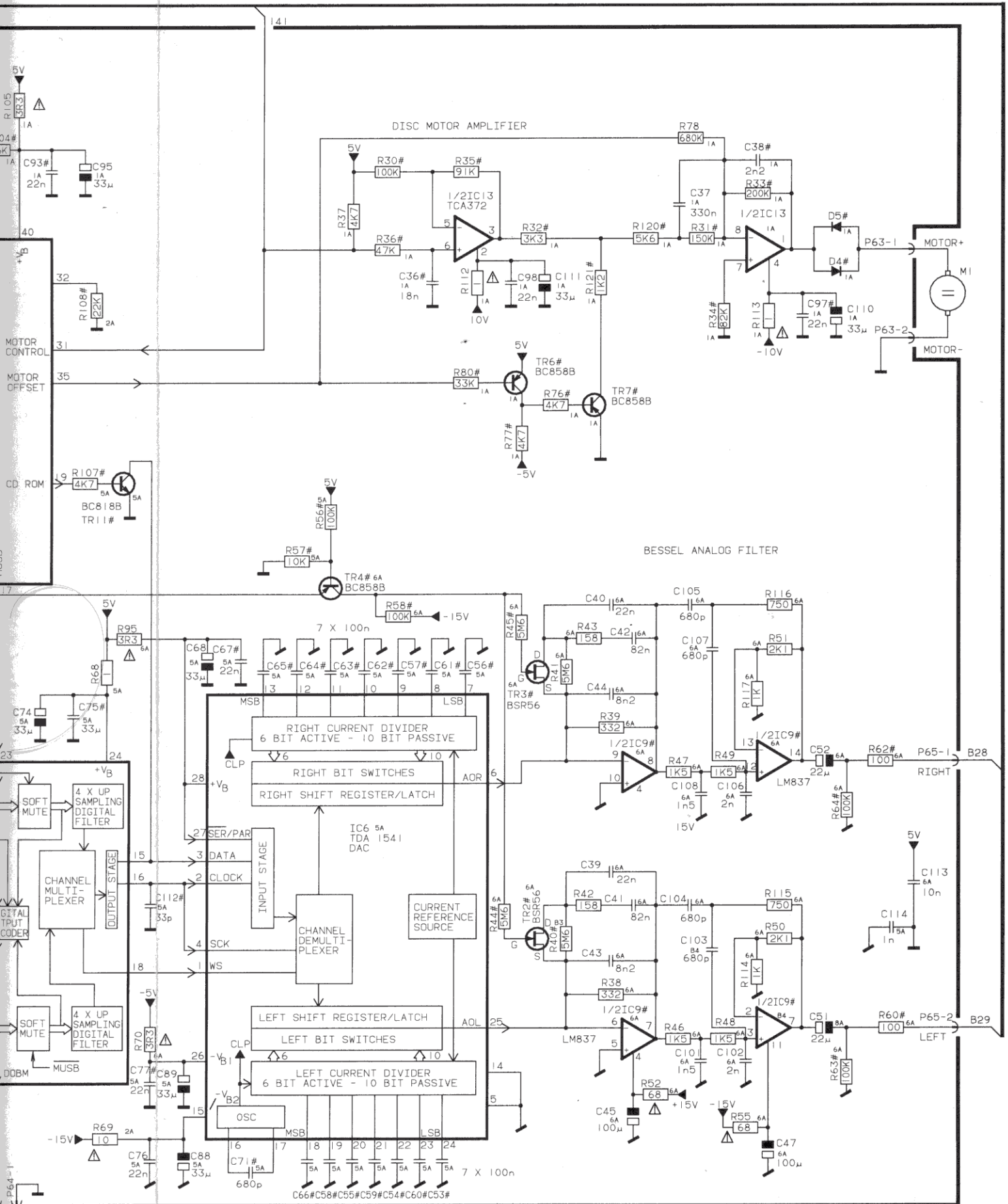
DIAGRAM G DISPLAY AND KEYBOARD





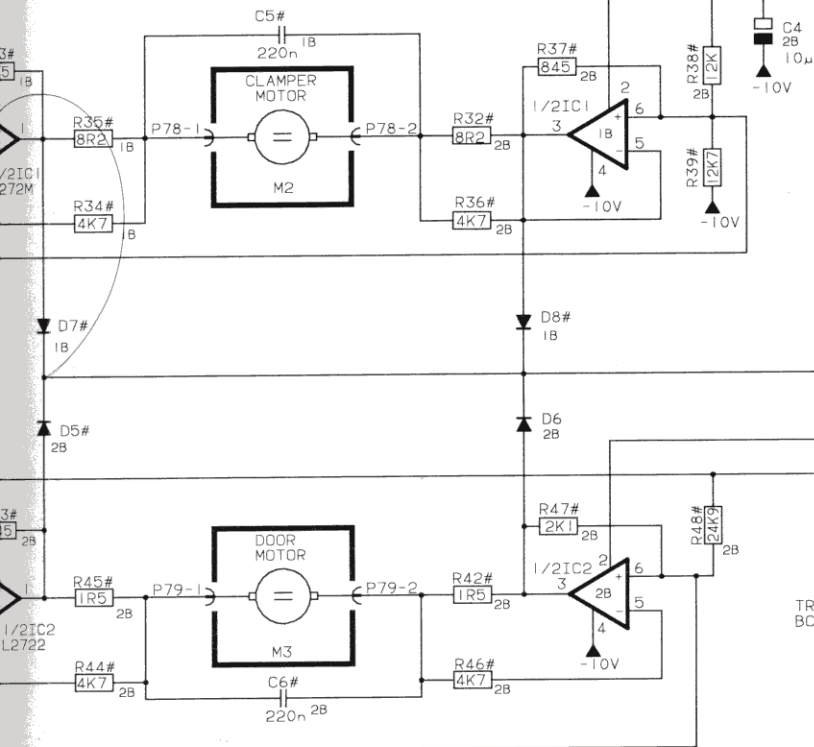




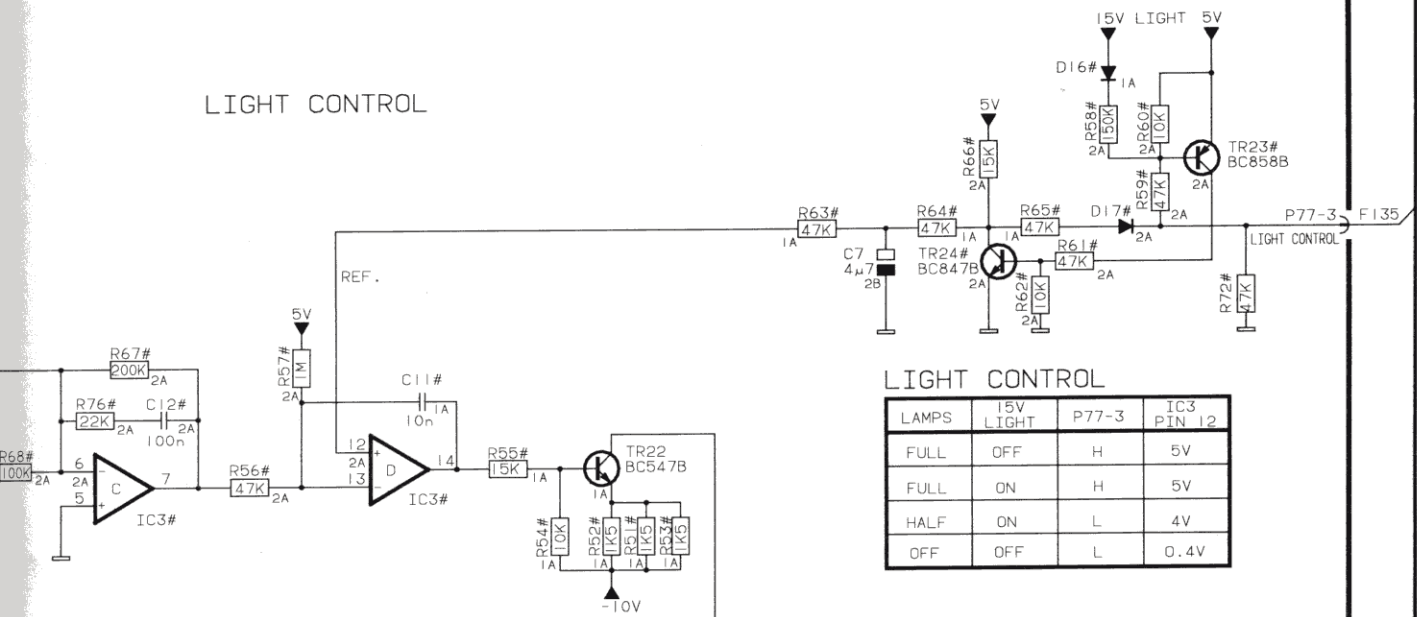


001322
LIGHT AND MOTOR CONTROL

MOTOR CONTROL

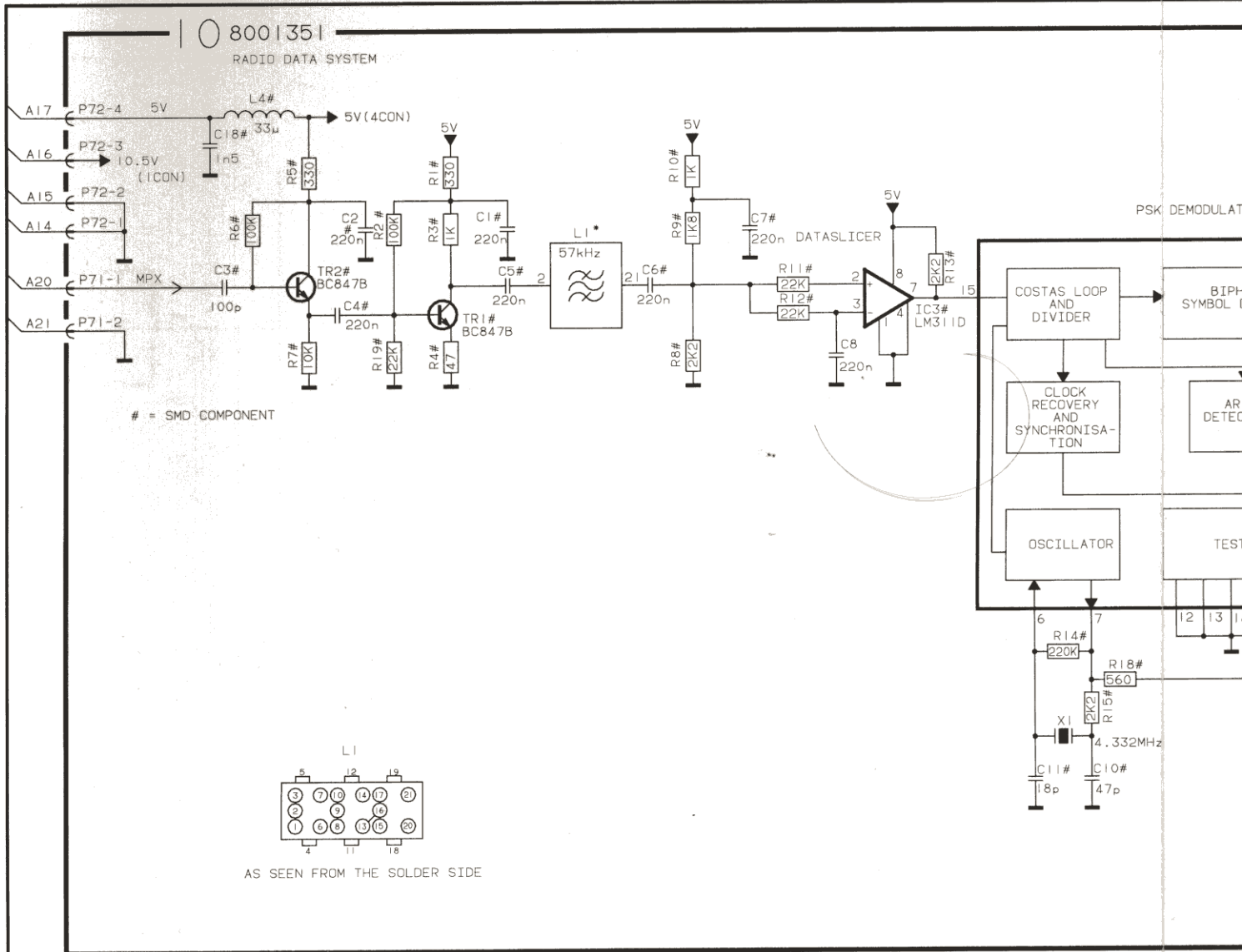


LIGHT CONTROL



SMD COMPONENT

DIAGRAM L RADIO DATA SYSTEM



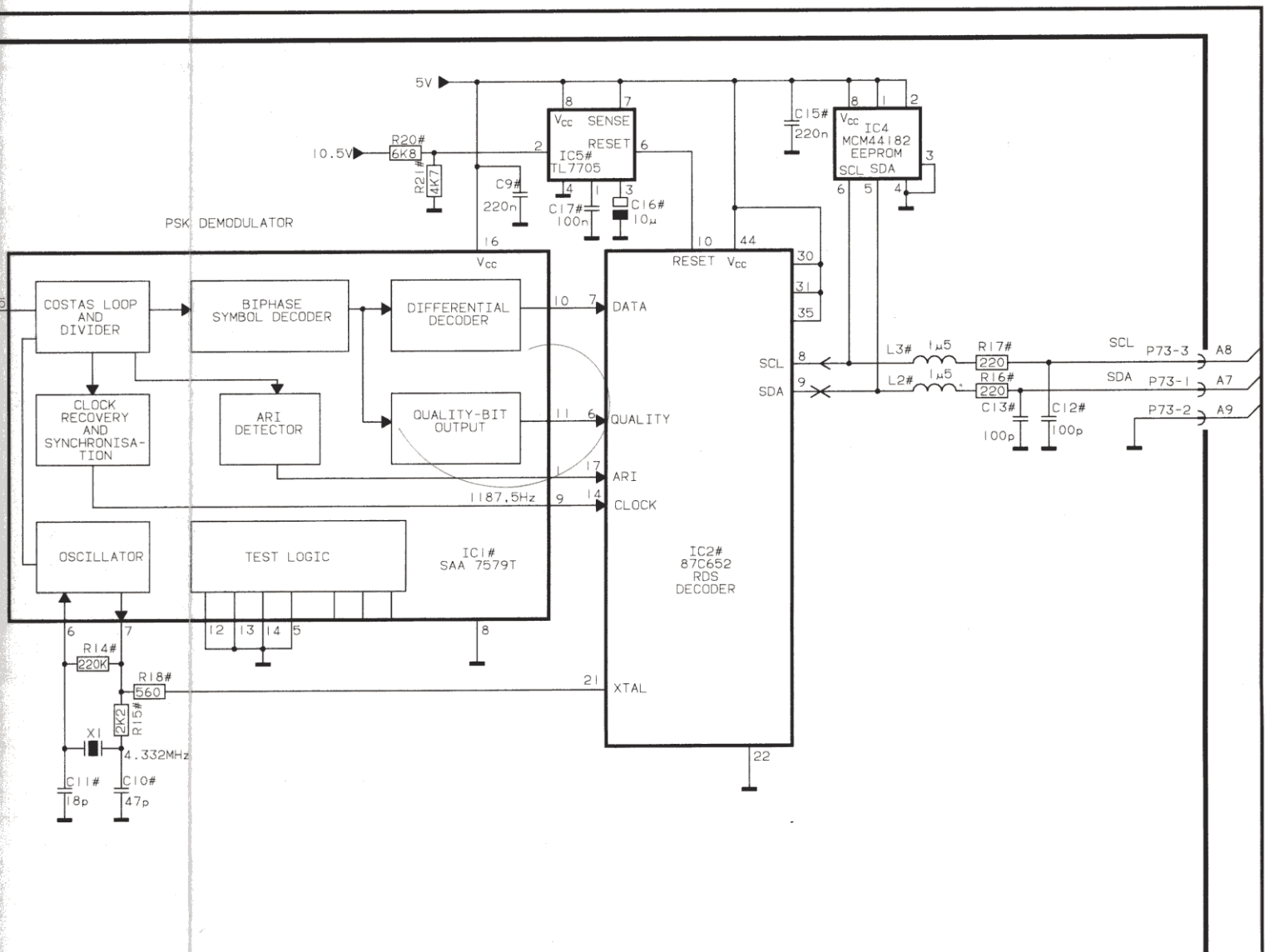


DIAGRAM M BEOLAB 2500 ACTIVE CROSSOVER NETWORK AND POWER AMPLIFIER

