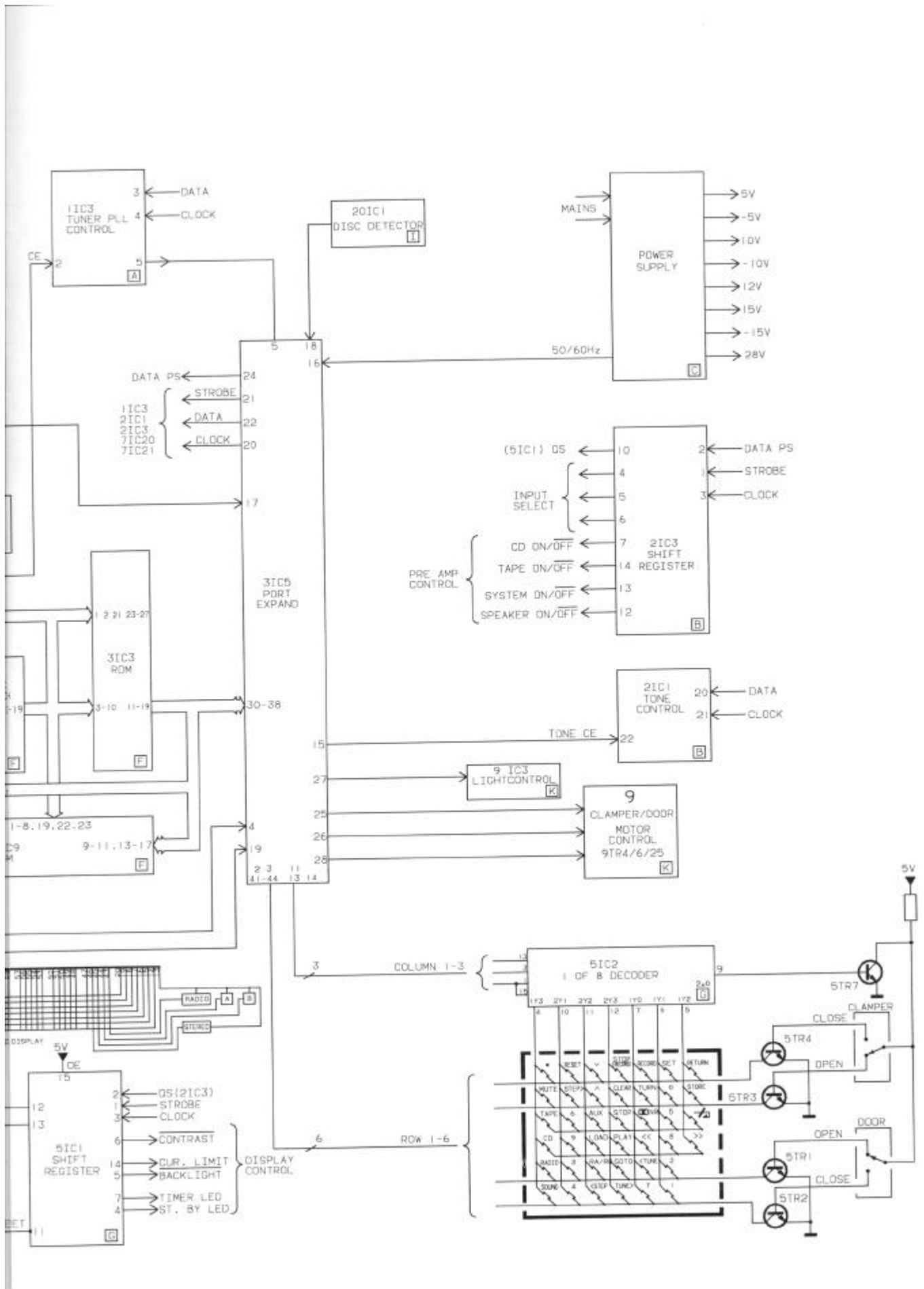
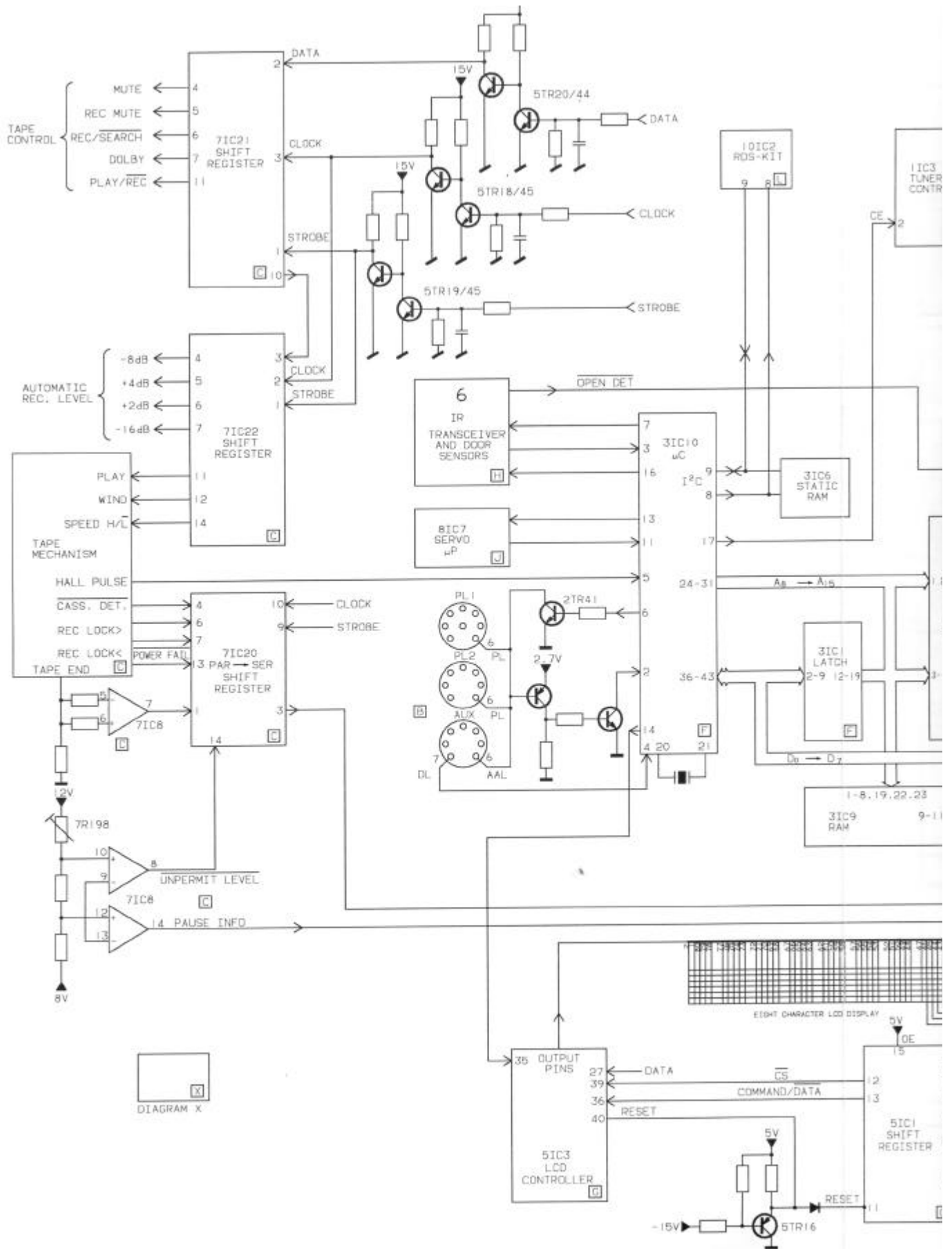


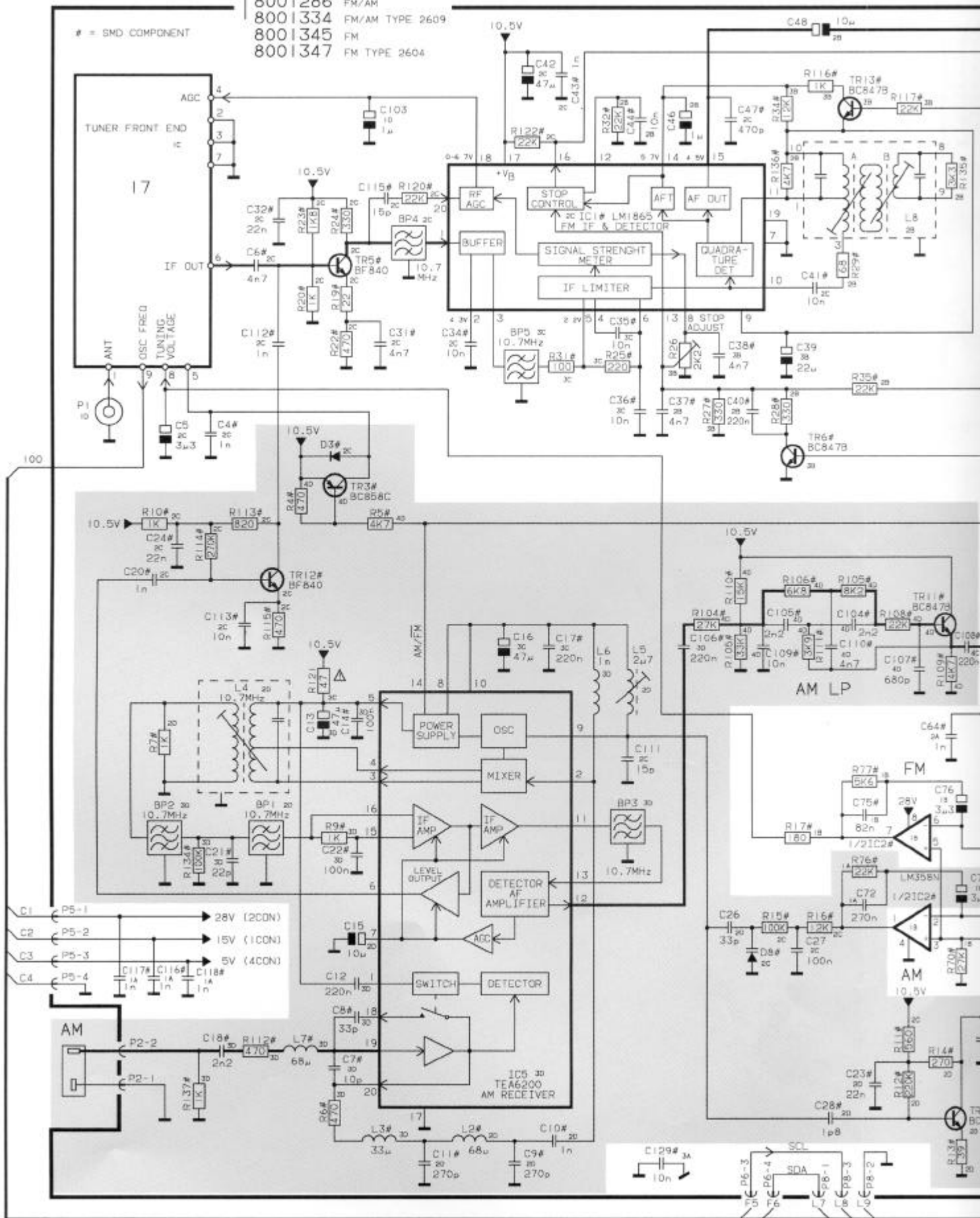
21-26
BEOLAB
2500
DIAGRAM M





8001286 FM/AM
 8001334 FM/AM TYPE 2609
 8001345 FM
 8001347 FM TYPE 2604

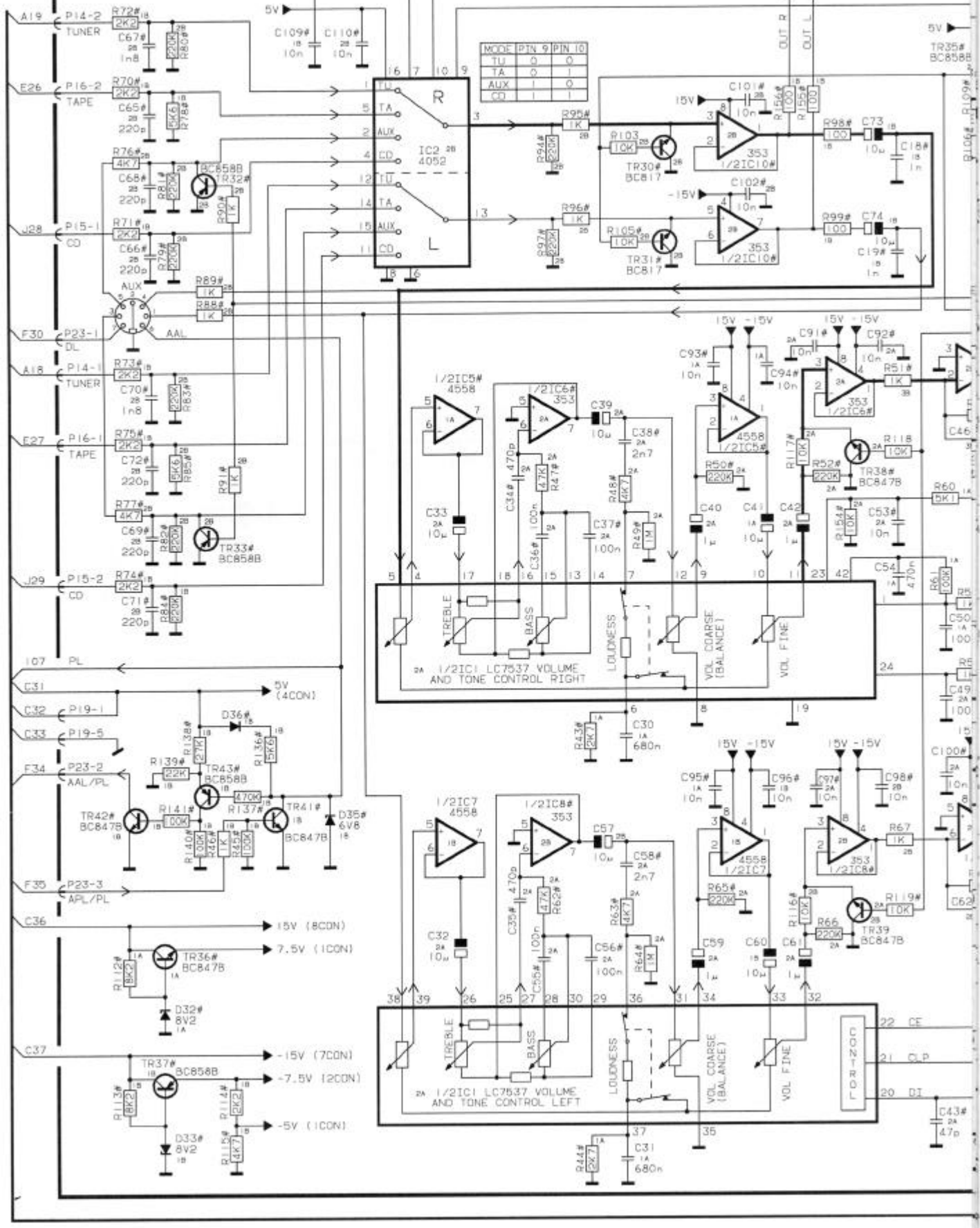
= SMD COMPONENT



8001289 PRE AMP
8001339 TYPE 2603.2608

= SMD COMPONENT

MODE	PTN 9	PIN 10
TU	0	0
TA	0	1
AUX	1	0
CD	1	1

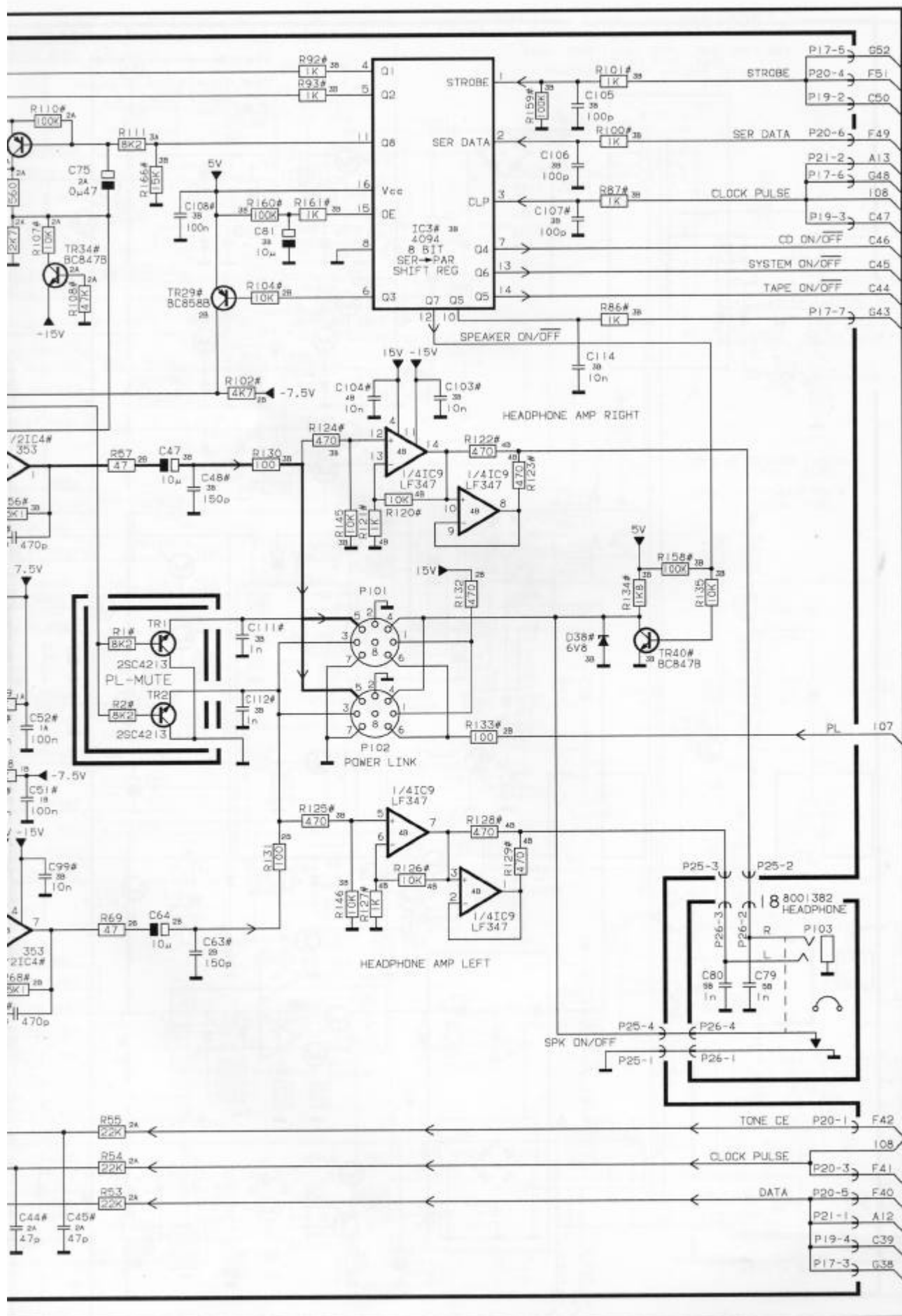


1/2IC1 LC7537 VOLUME AND TONE CONTROL RIGHT

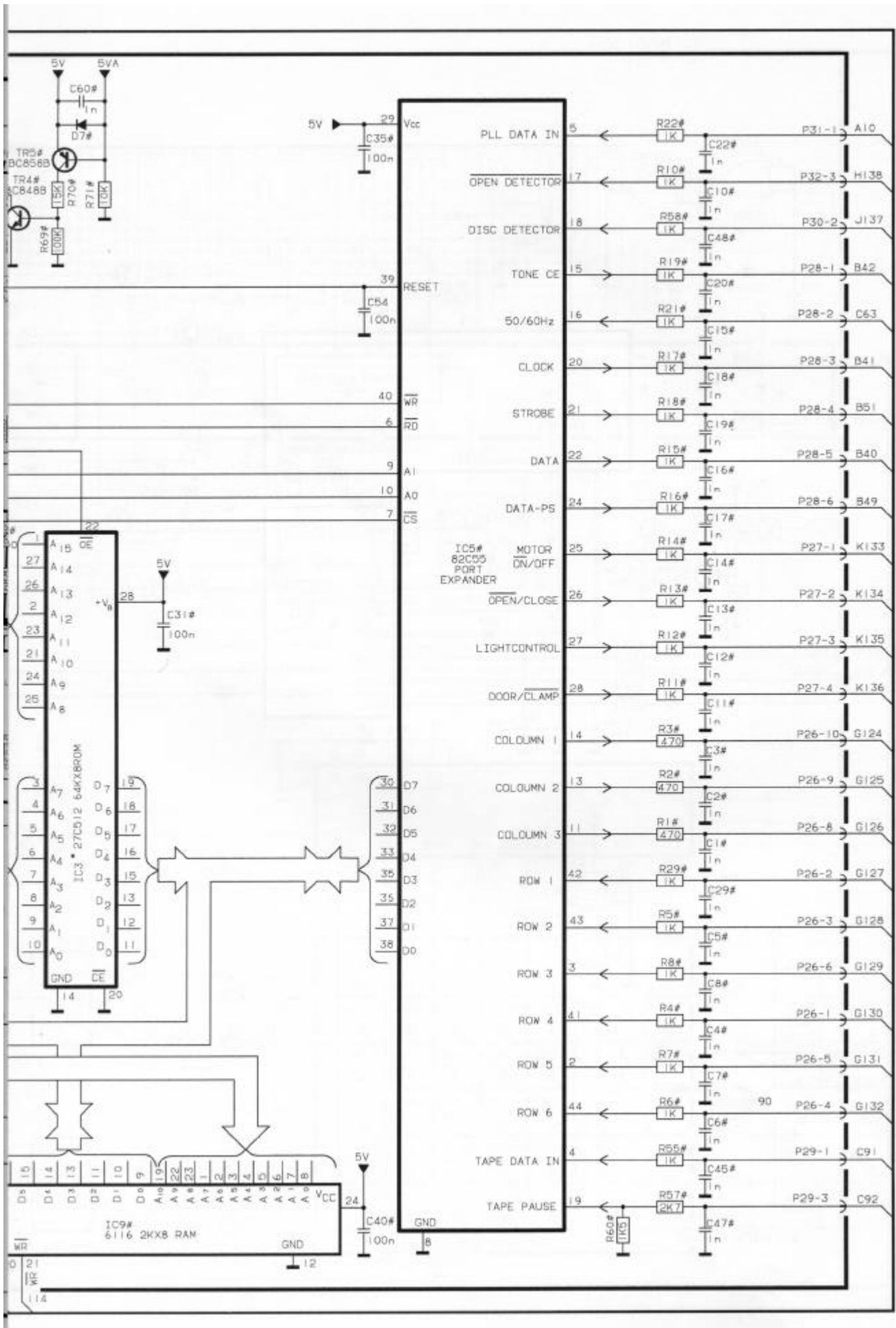
TREBLE, BASS, LOUDNESS, VOL COARSE (BALANCE), VOL FINE

1/2IC1 LC7537 VOLUME AND TONE CONTROL LEFT

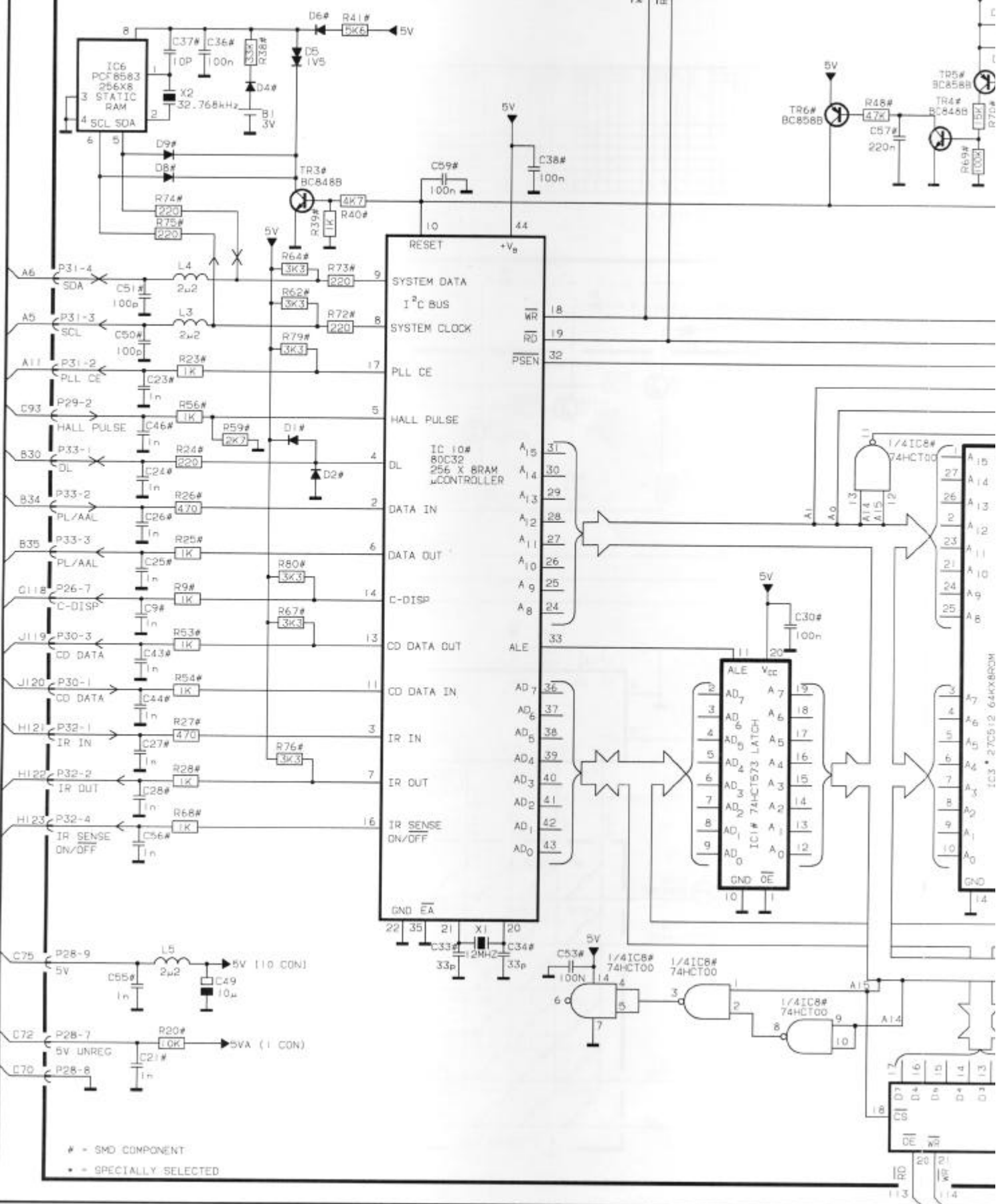
TREBLE, BASS, LOUDNESS, VOL COARSE (BALANCE), VOL FINE, FOR ZON



- P17-5 G52
- P20-4 F51
- P19-2 C50
- P21-2 A13
- P17-6 G48
- P19-3 C47
- CD ON/OFF C46
- SYSTEM ON/OFF C45
- TAPE ON/OFF C44
- P17-7 G43
- PL 107
- P25-3
- P25-2
- P26-3
- P26-2
- P26-4
- P26-1
- P25-4
- P25-1
- TONE CE P20-1 F42
- CLOCK PULSE P20-3 F41
- DATA P20-5 F40
- P21-1 A12
- P19-4 C39
- P17-3 G38



3 8001287
MICROCOMPUTER



= SMD COMPONENT
* = SPECIALLY SELECTED