

# Bang & Olufsen

**CD**

New Version, CDM12



## Master Panel AV 9000

Type 2621, 2622

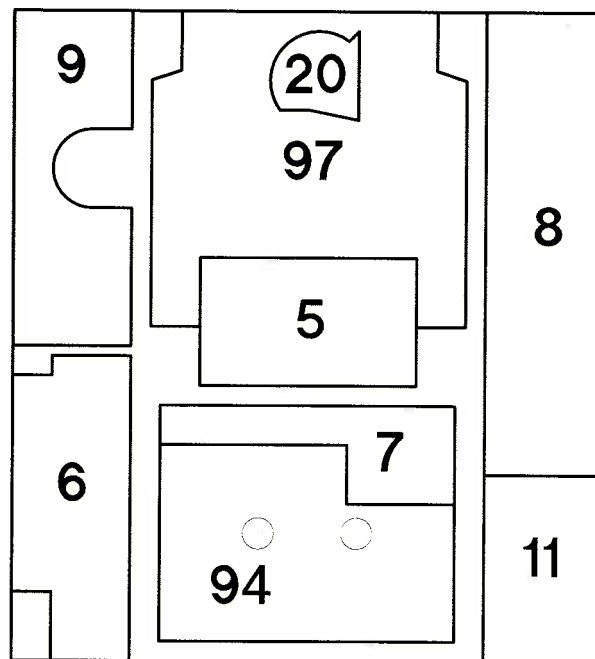
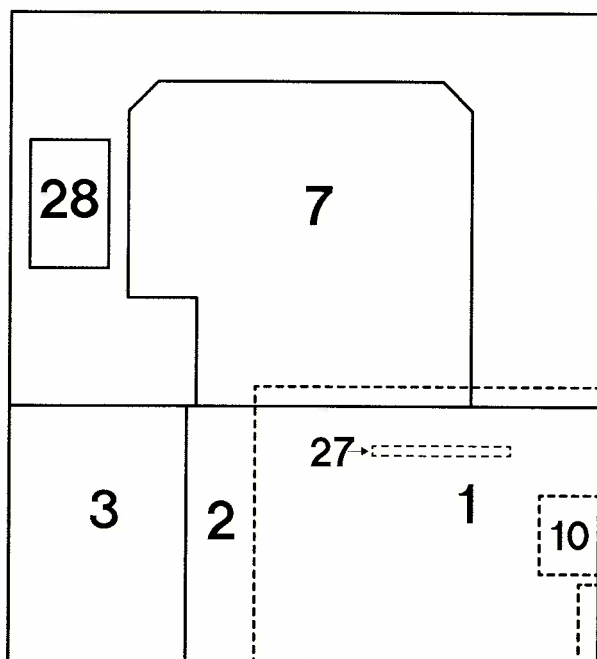
## Stand

Type 2018

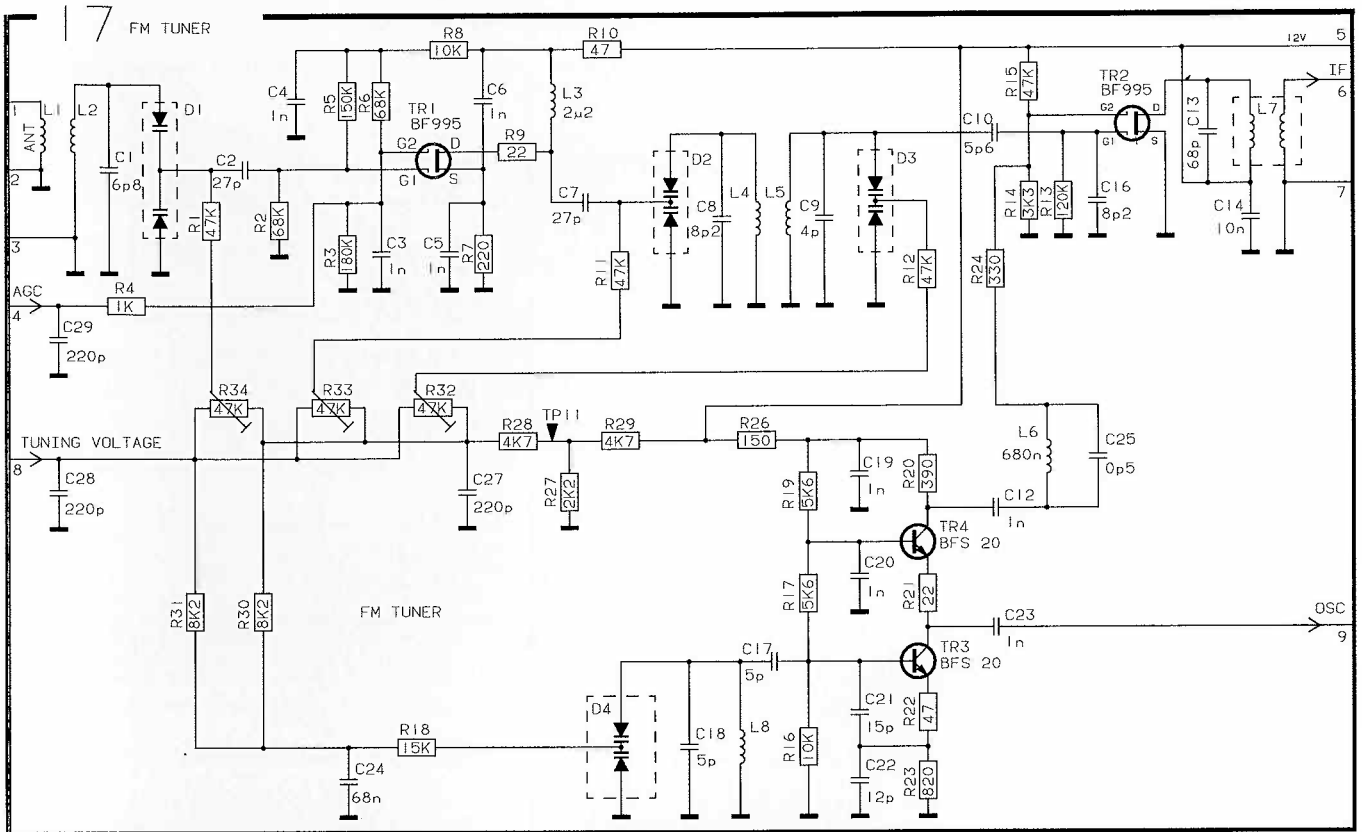
SERVICE MANUAL



<p>1 FM/AM, RF, IF decoder ..... diag. A page 2-9</p> <p>2 Input Select ..... diag. B page 2-10</p> <p>2 Power supply ..... diag. C page 2-11</p> <p>3 Microcomputer ..... diag. F+f page 2-14, 2-15</p> <p>4 Keyboard ..... diag. G page 2-16</p> <p>5 Display ..... diag. G page 2-16</p> <p>6 Door sensors ..... diag. H page 2-17</p> <p>7 Tape data control ..... diag. C page 2-11</p> <p>7 Tape AF and control ..... diag. D page 2-12</p> <p>7 Dolby and tape type logic ..... diag. E page 2-13</p> <p>8 CD servo motor system ..... diag. I and disc detector page 2-18</p>	<p>8 CD decoder ..... diag. J page 2-19</p> <p>9 Light and motor control ..... diag. K page 2-20</p> <p>10 RDS ..... diag. L page 2-21</p> <p>11 Right door sensor ..... diag. H page 2-17</p> <p>17 Tuner ..... page 2-3</p> <p>20 Disc detector ..... diag. I page 2-18</p> <p>27 Master Link interface ..... diag. B page 2-10</p> <p>28 Light control output ..... diag. K page 2-20</p> <p>94 Tape mechanism ..... page 4-5</p> <p>97 CD mechanism ..... page 4-1</p>
---	--

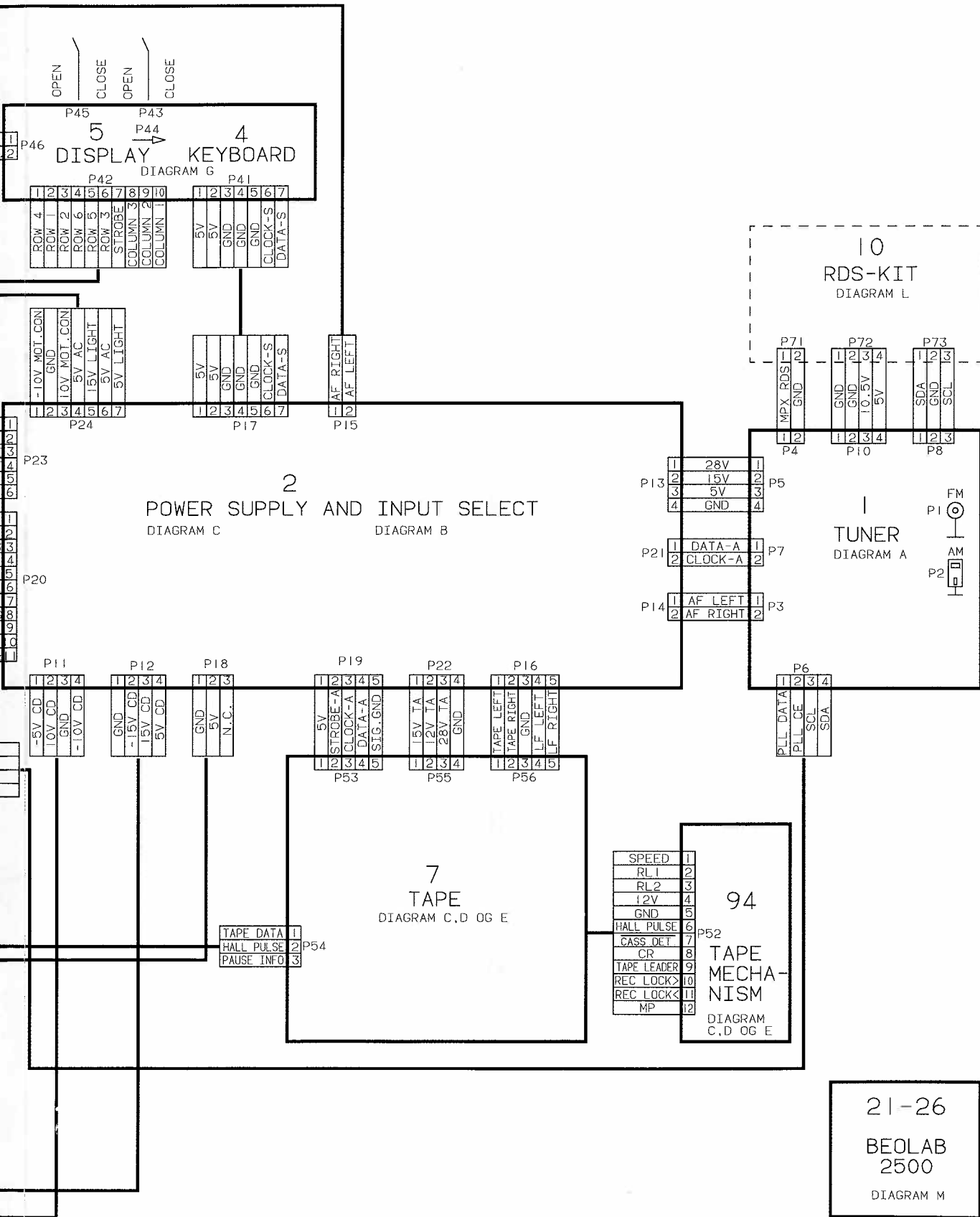


FM TUNER

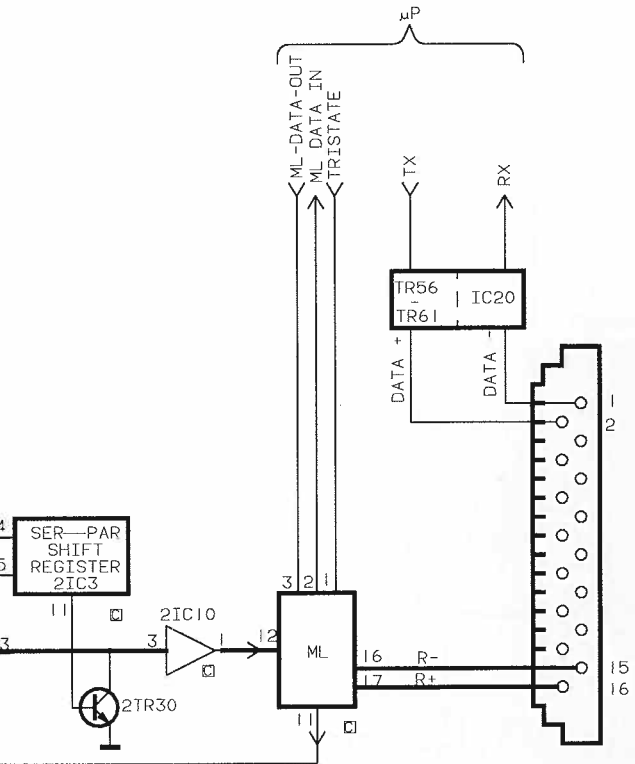


The FM TUNER is a single unit.  
With failure in this unit we recommend replacing the Whole unit.  
However the part nos. of semi-conductors are in the lid of the semi-conductors.

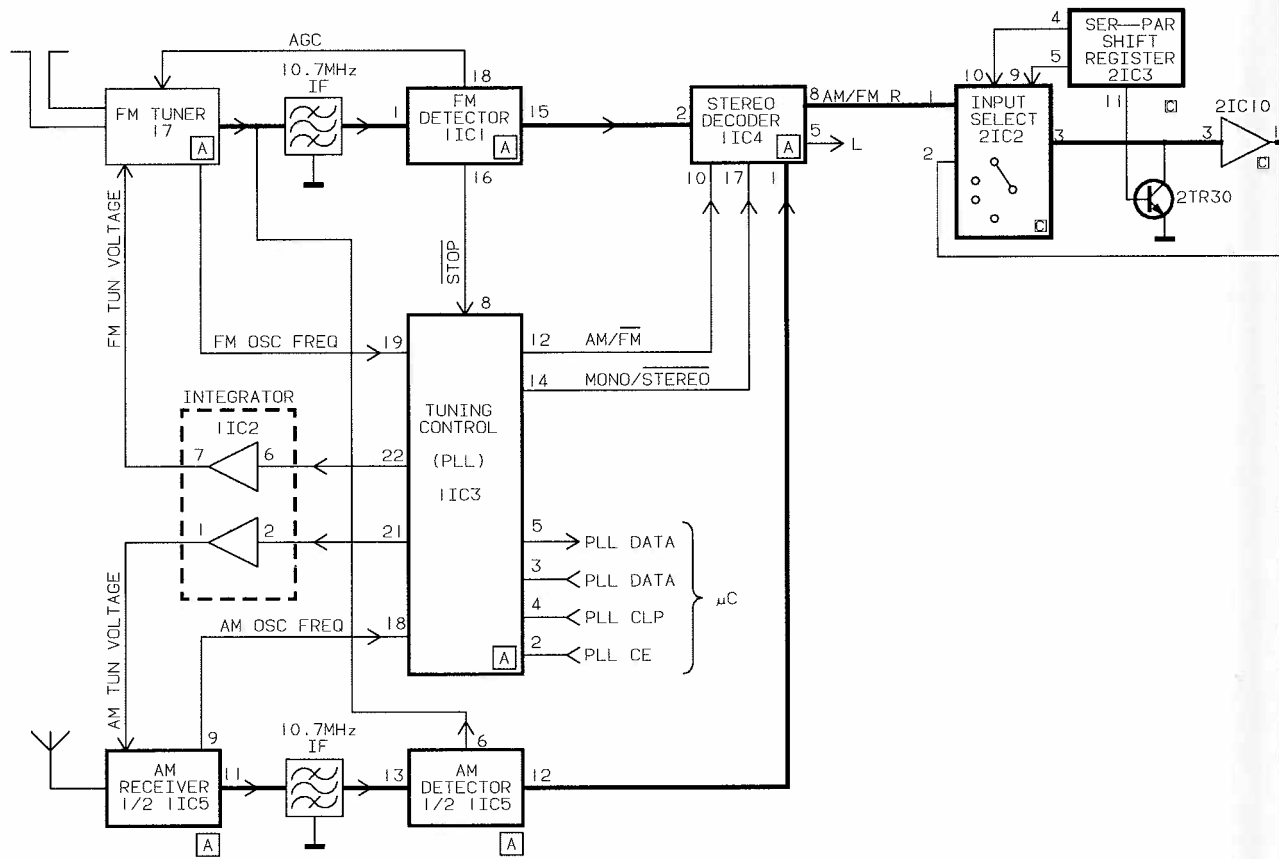
# 2-4 WIRING DIAGRAM

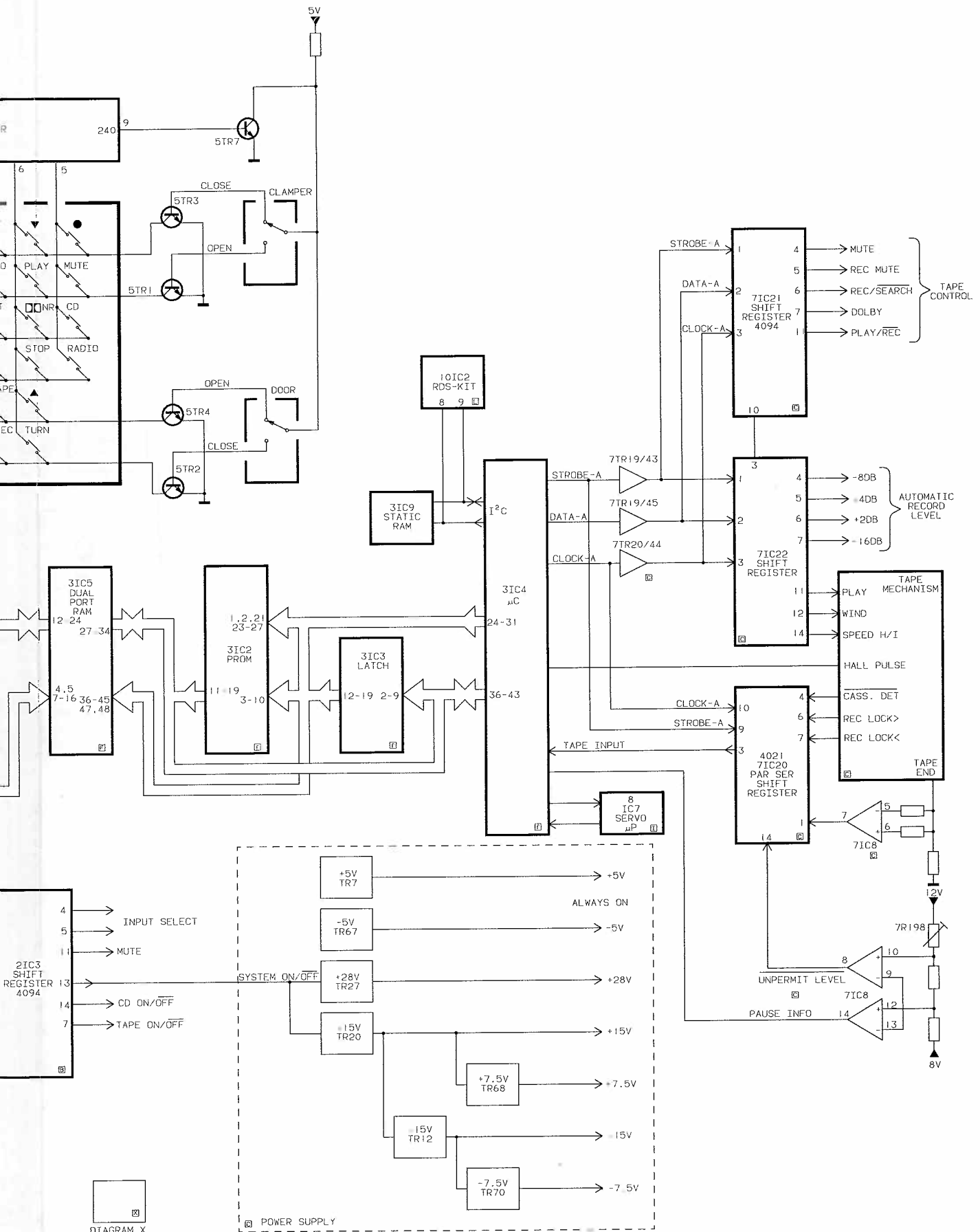






### BLOCK DIAGRAM TUNER







BLOCK DIAGRAM SYSTEM CONTROL

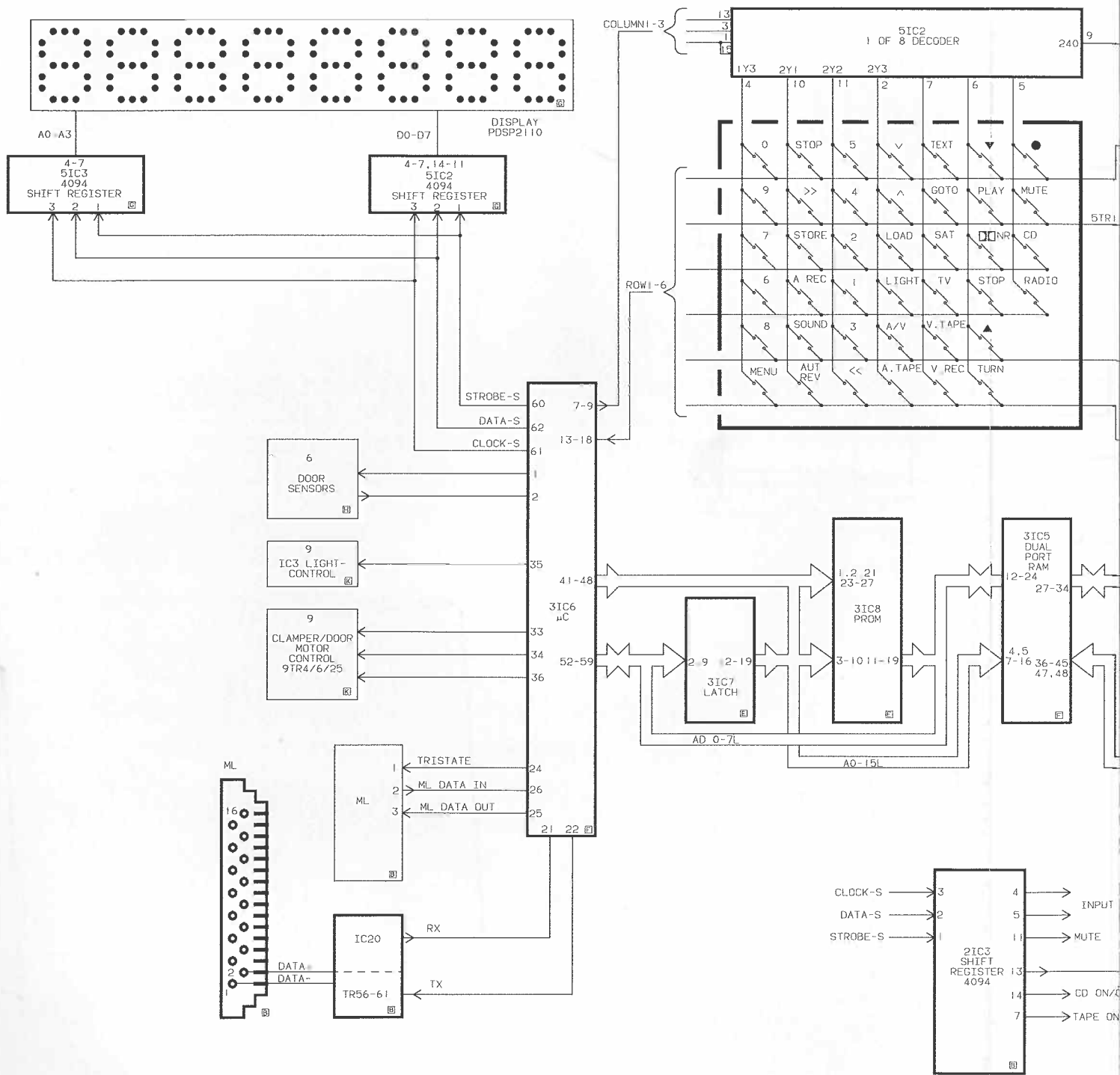
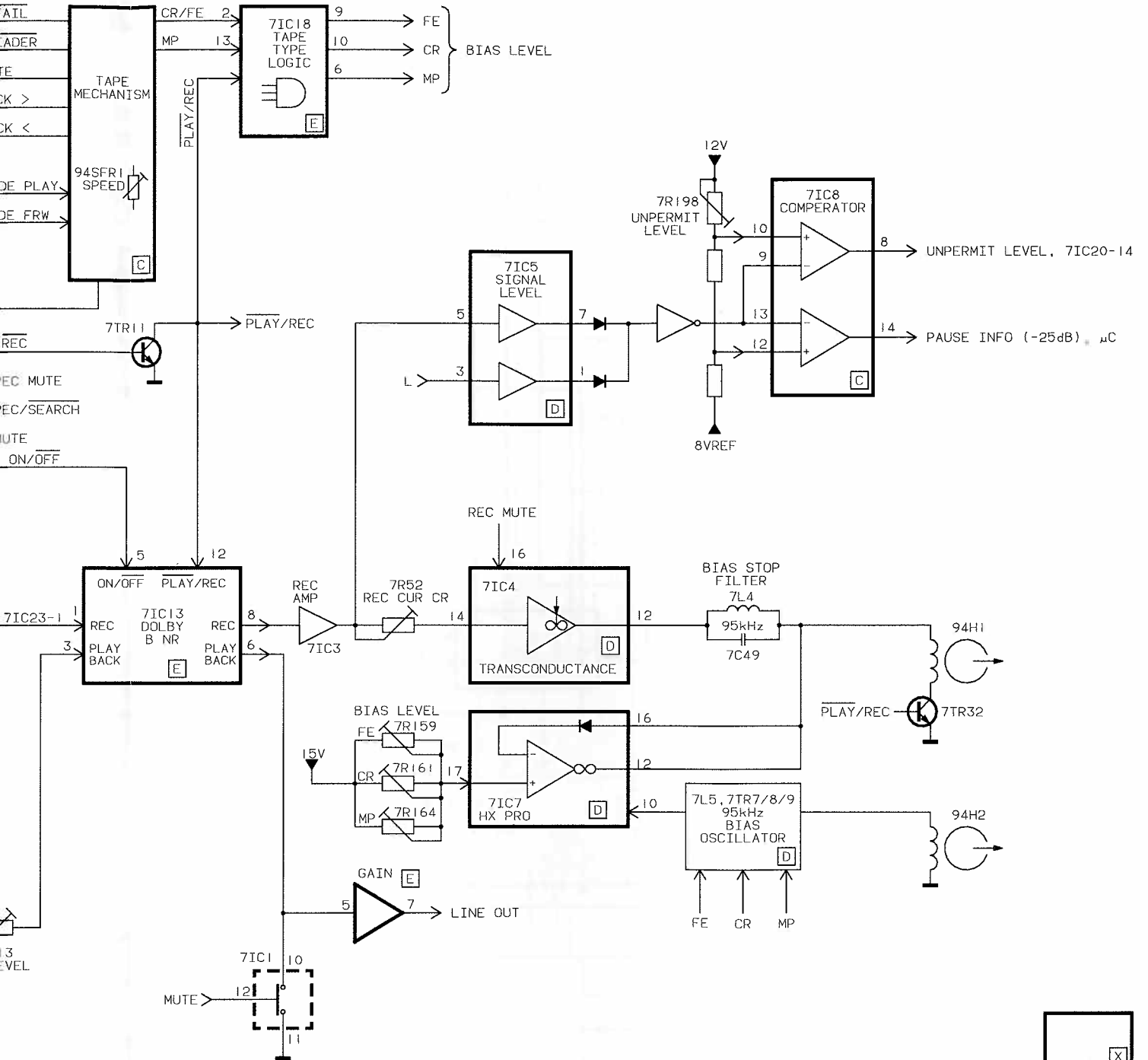
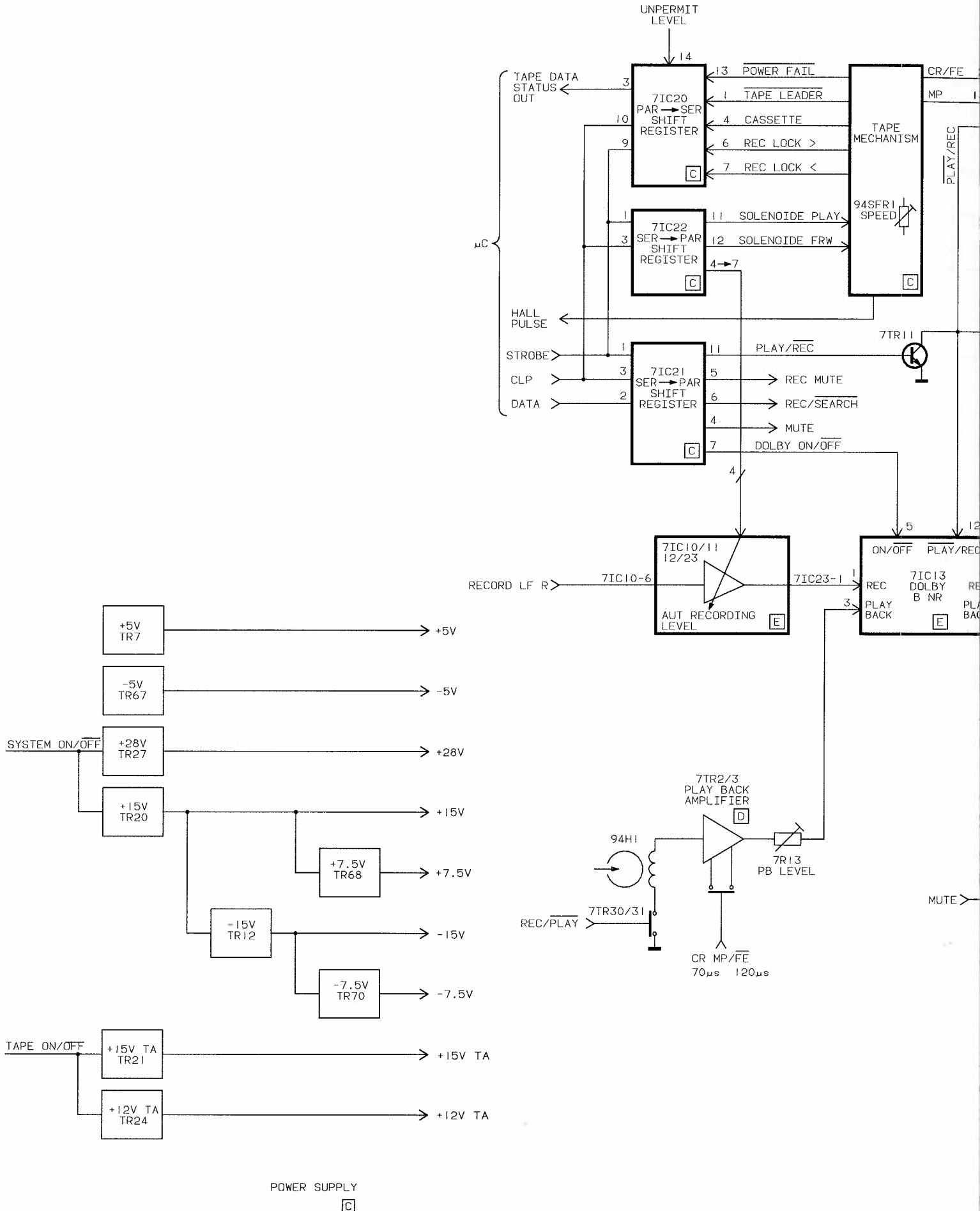


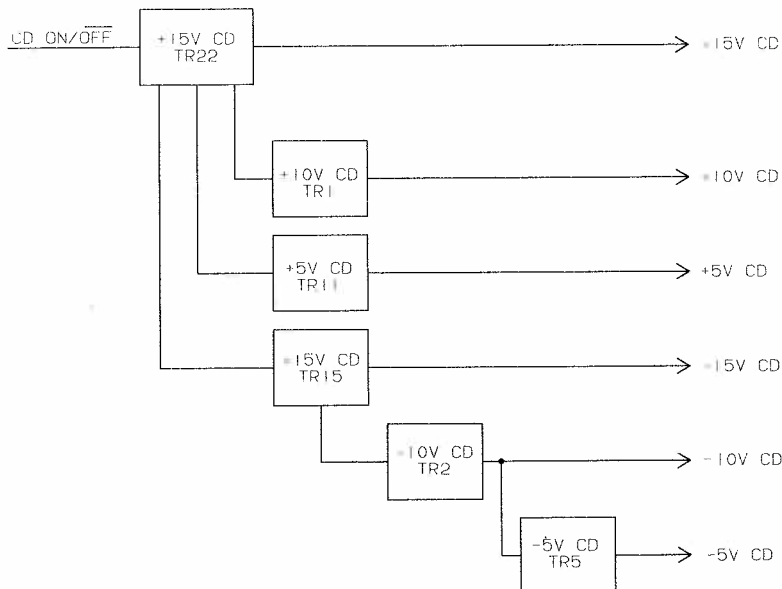
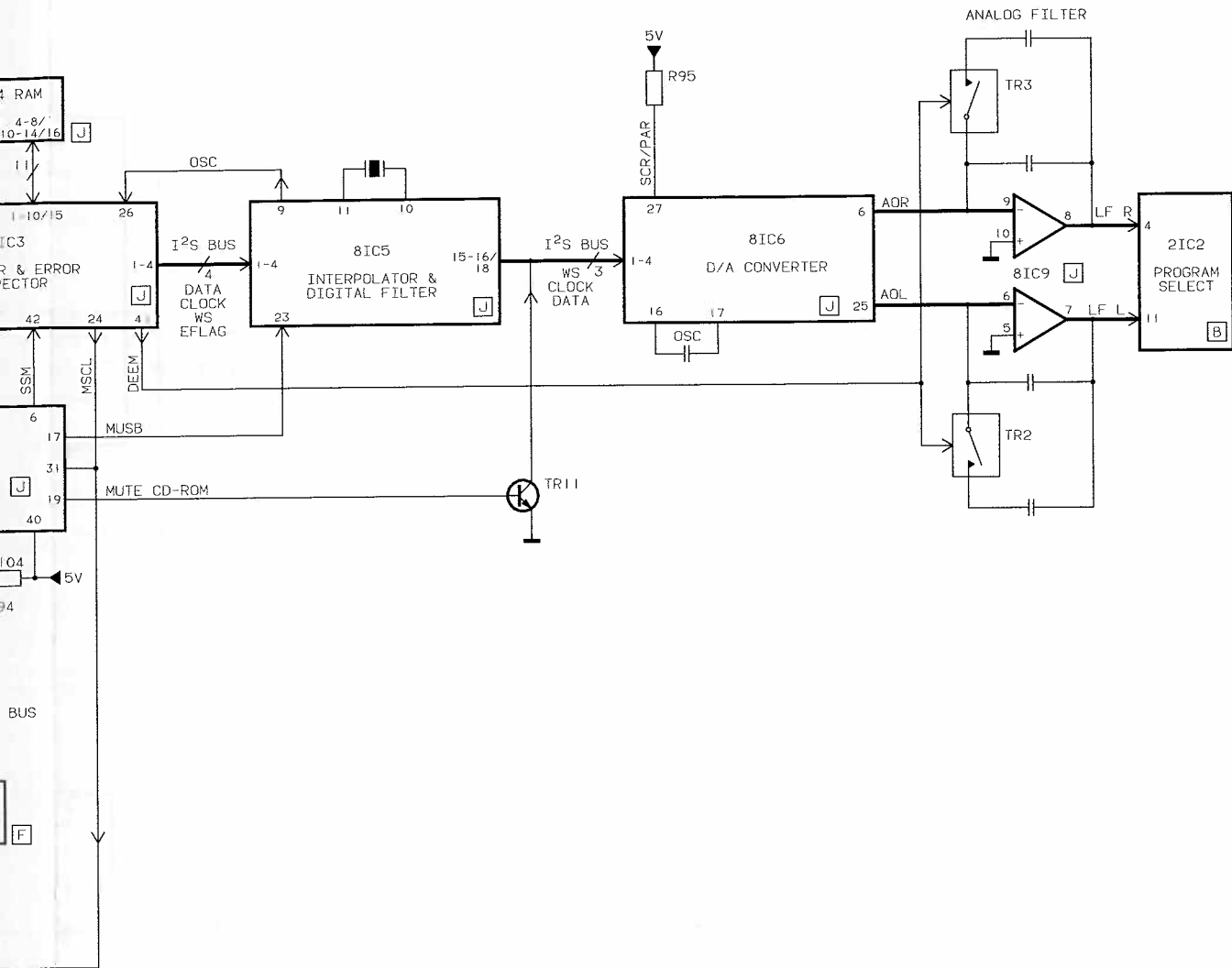
DIAGRAM X



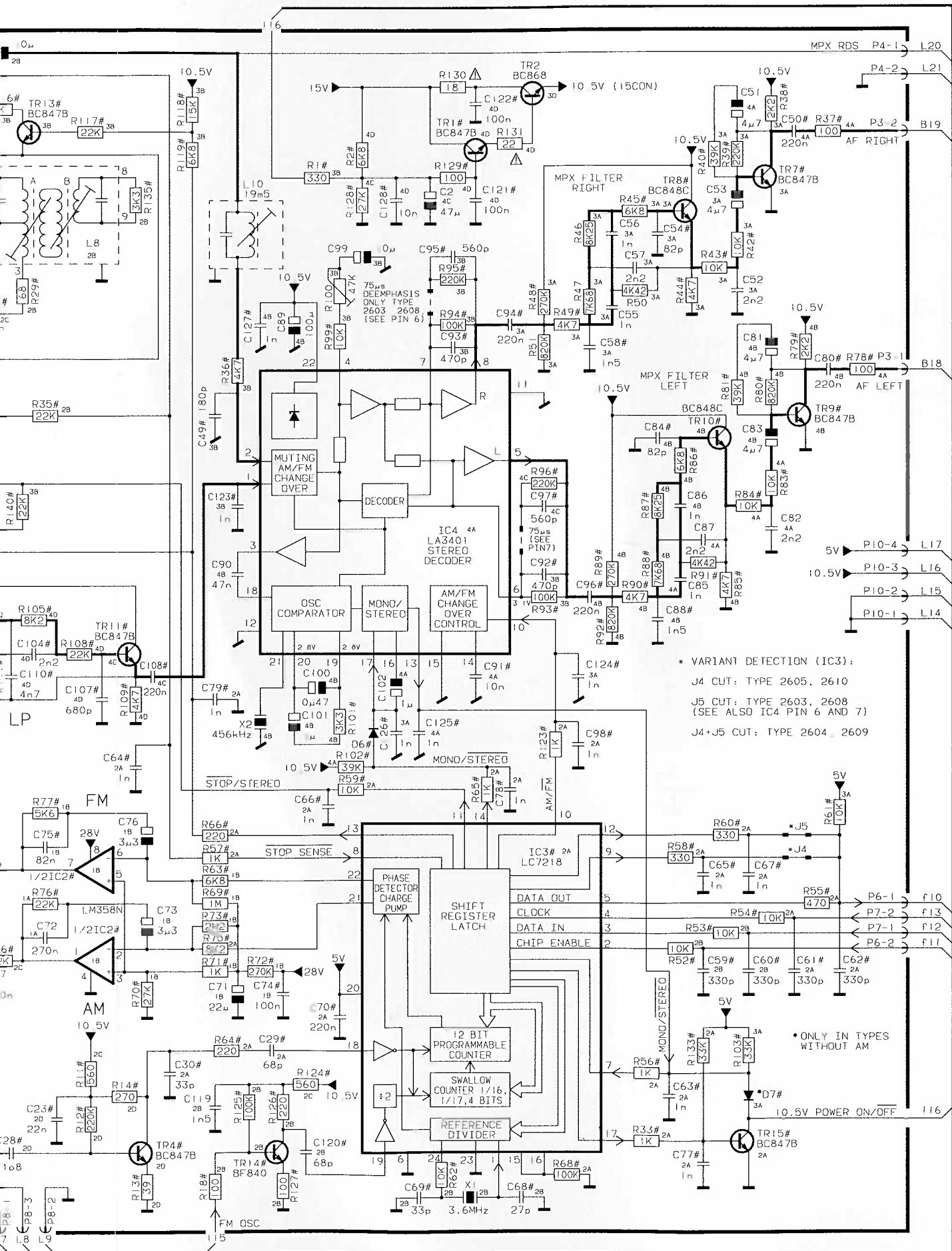
X = DIAGRAM X

BLOCK DIAGRAM TAPE









\* VARIANT DETECTION (IC3):  
 J4 CUT: TYPE 2605, 2610  
 J5 CUT: TYPE 2603, 2608  
 (SEE ALSO IC4 PIN 6 AND 7)  
 J4+J5 CUT: TYPE 2604, 2609

\* ONLY IN TYPES  
 WITHOUT AM

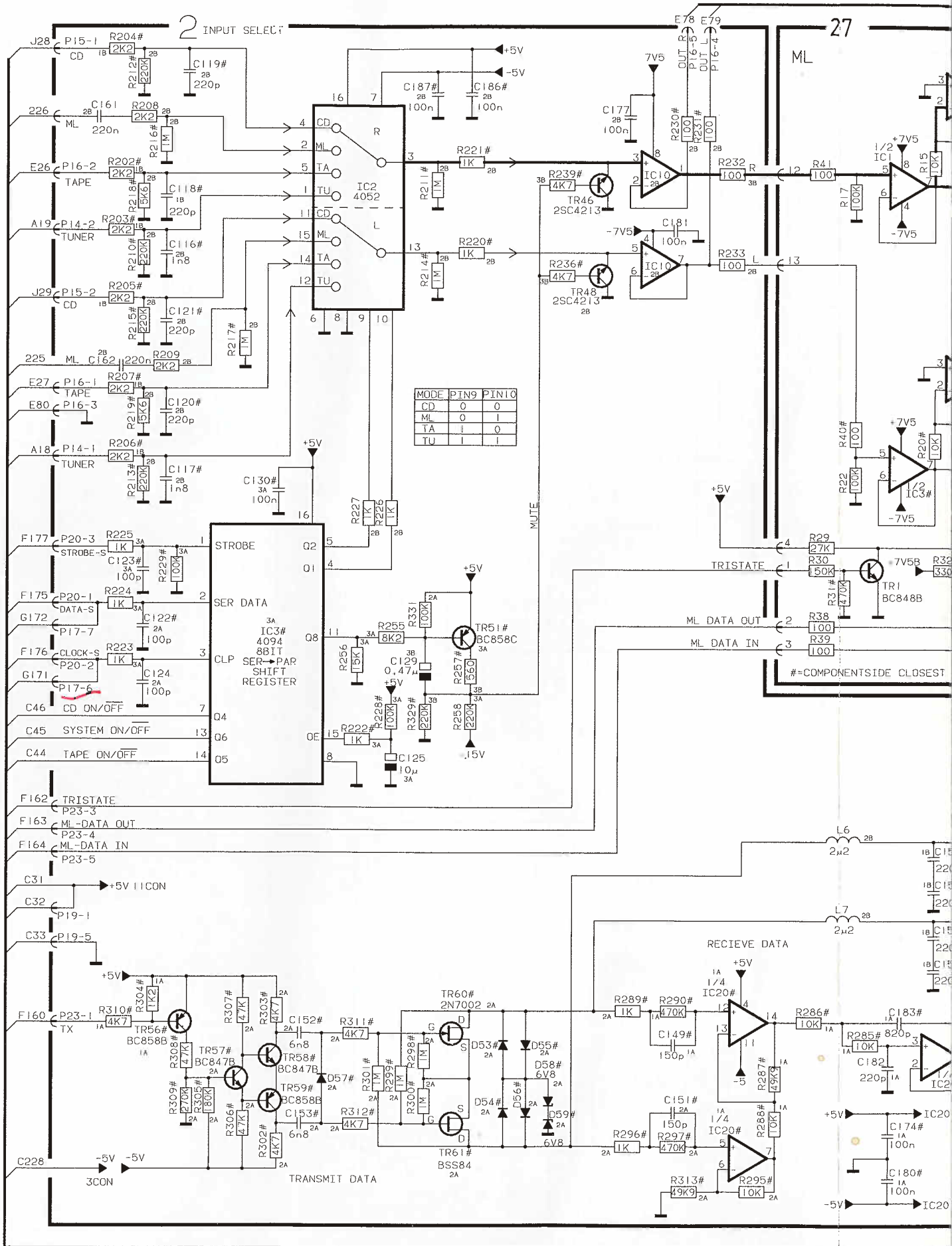
\* D7#





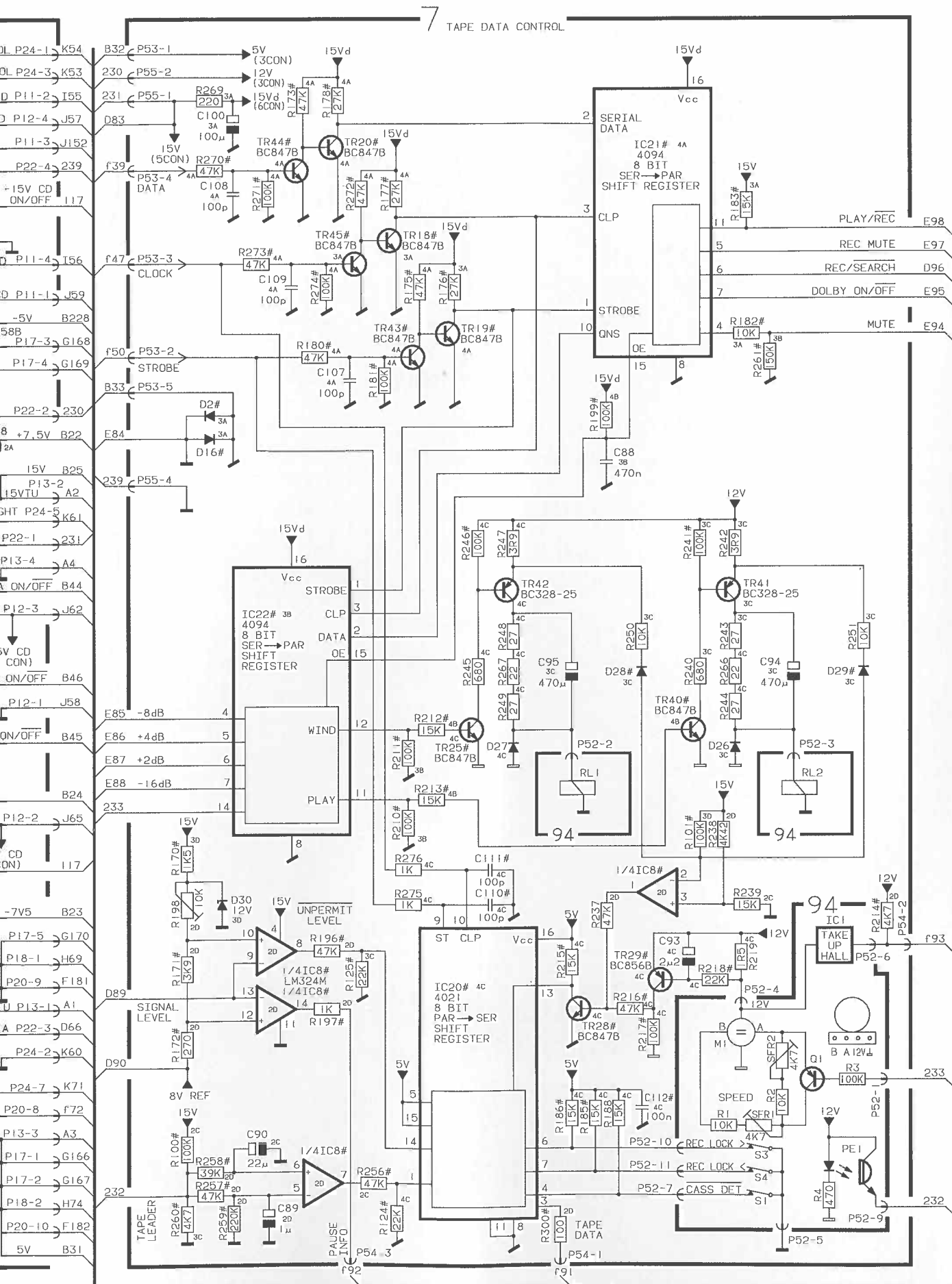


DIAGRAM B INPUT SELECT



MODE	PIN9	PIN10
CD	0	0
ML	0	1
TA	1	0
TU	1	1

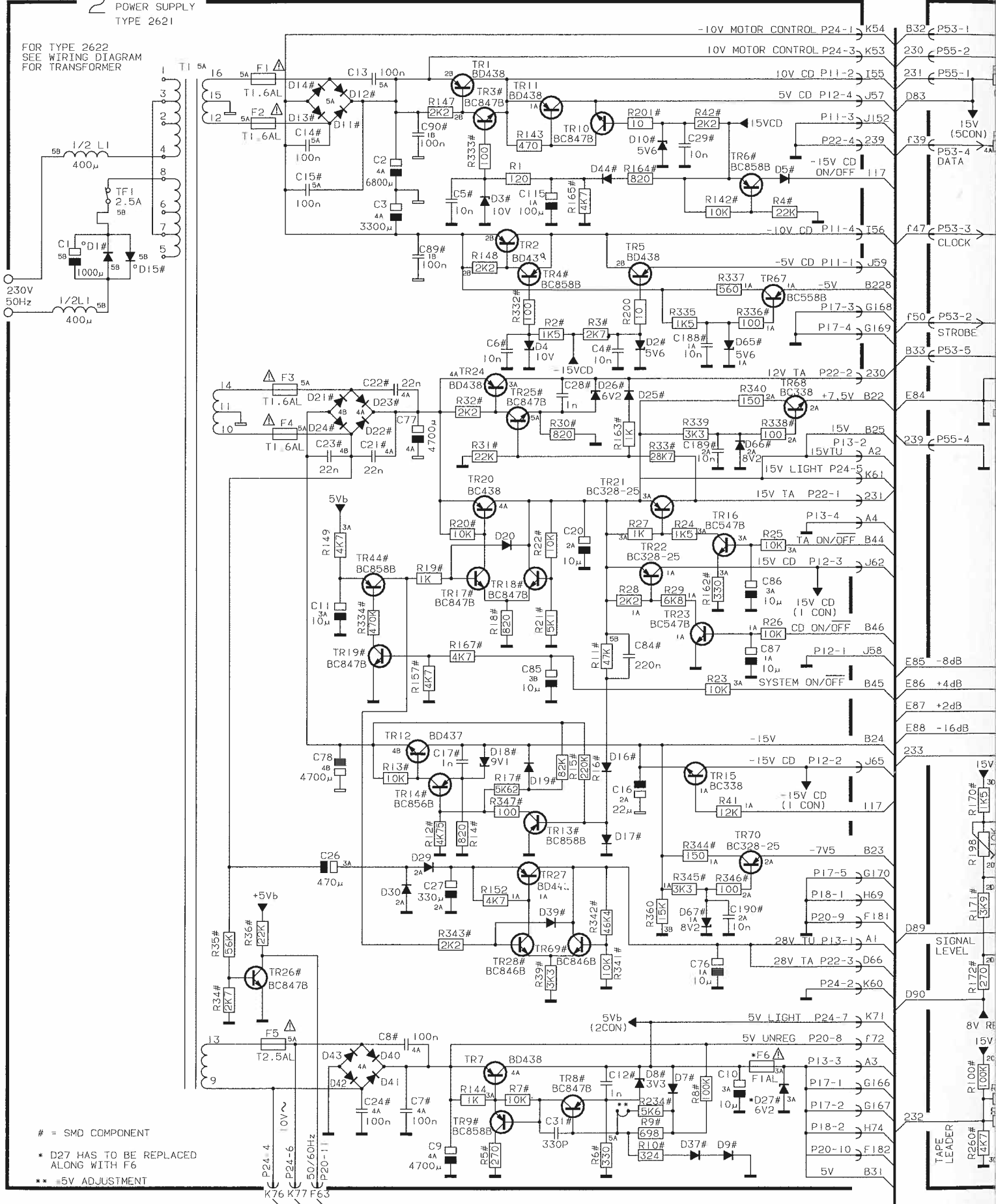
#=COMPONENTSIDE CLOSEST



### DIAGRAM C POWER SUPPLY/TAPE DATA CONTROL

2 POWER SUPPLY  
TYPE 2621

FOR TYPE 2622  
SEE WIRING DIAGRAM  
FOR TRANSFORMER



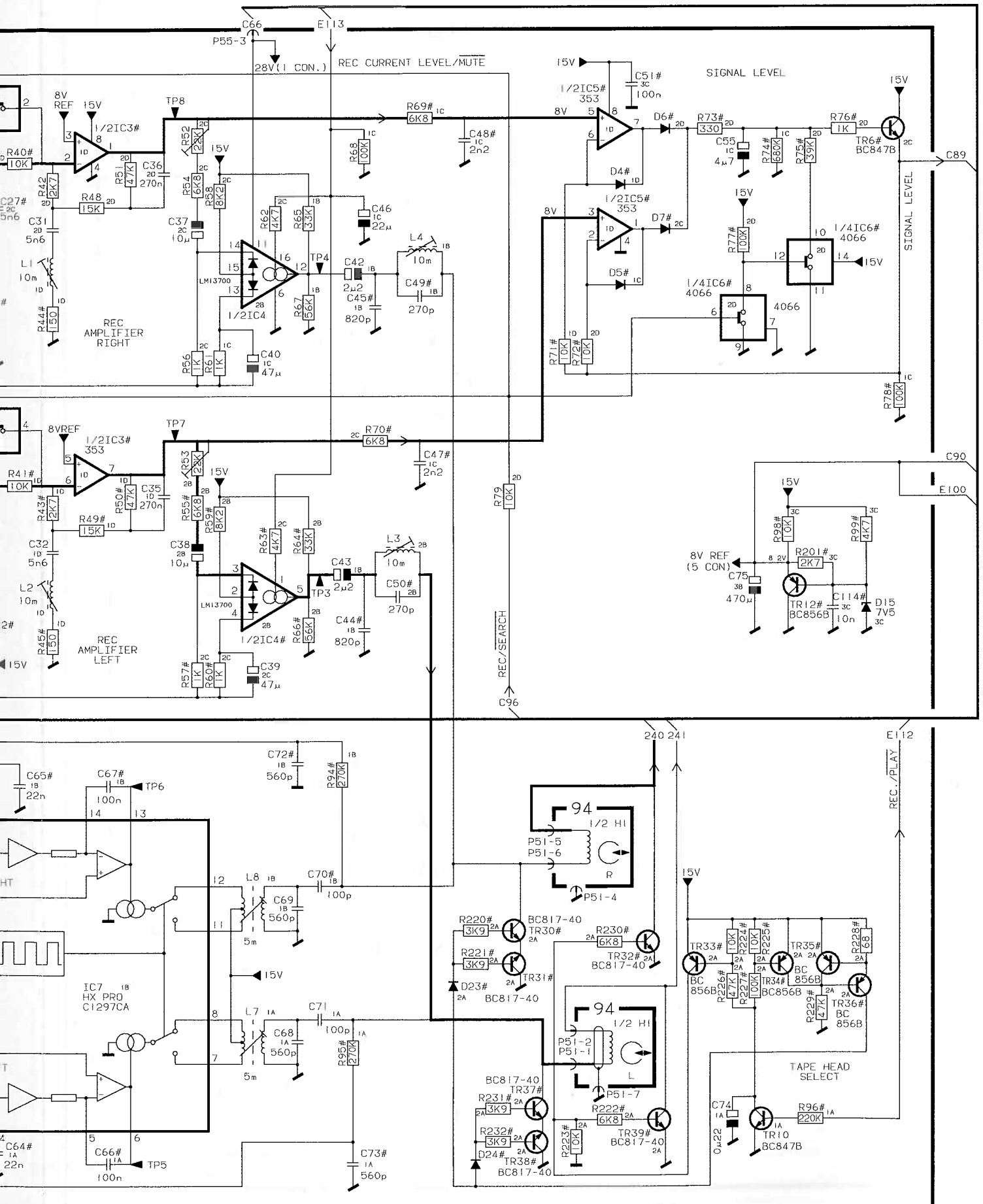
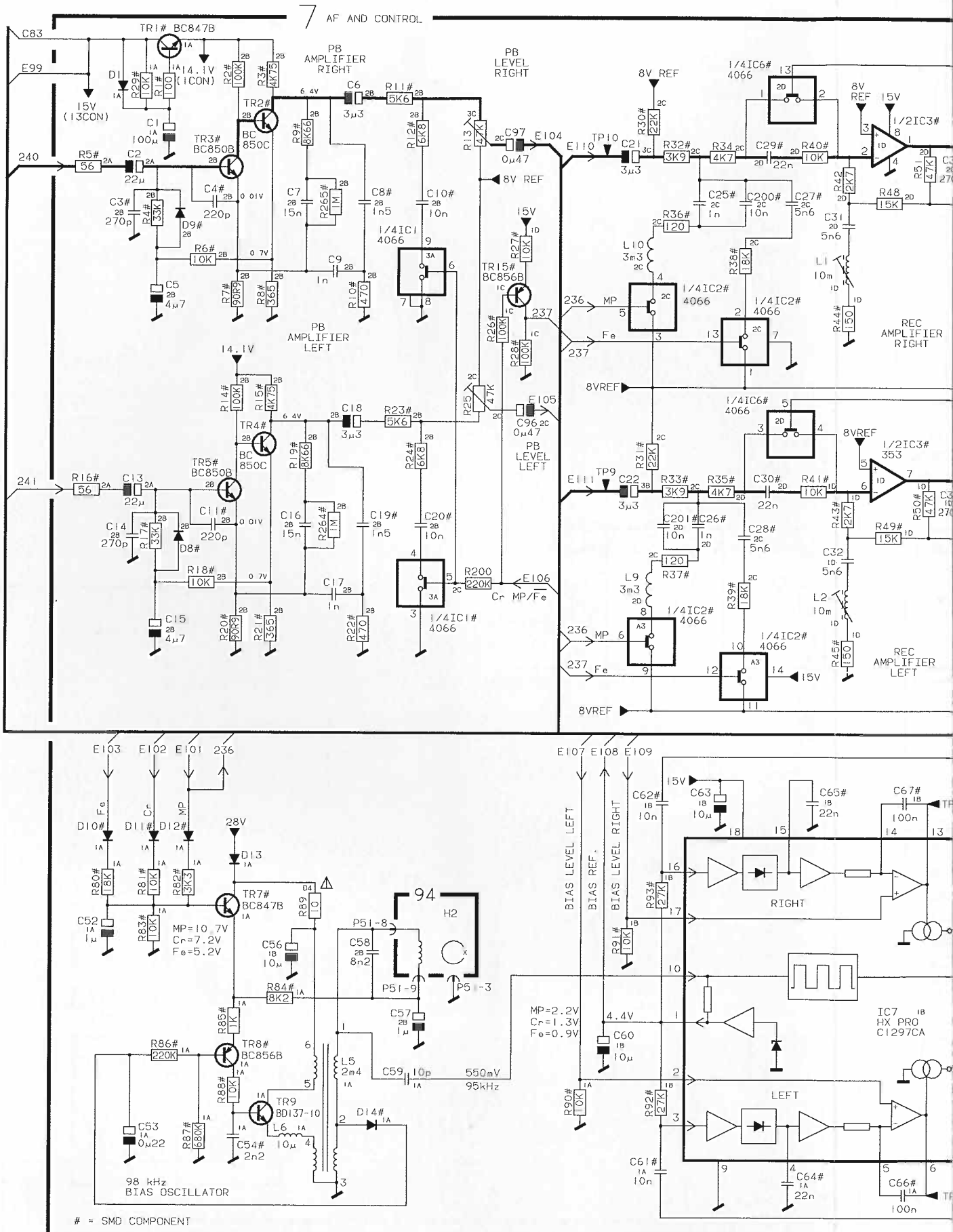
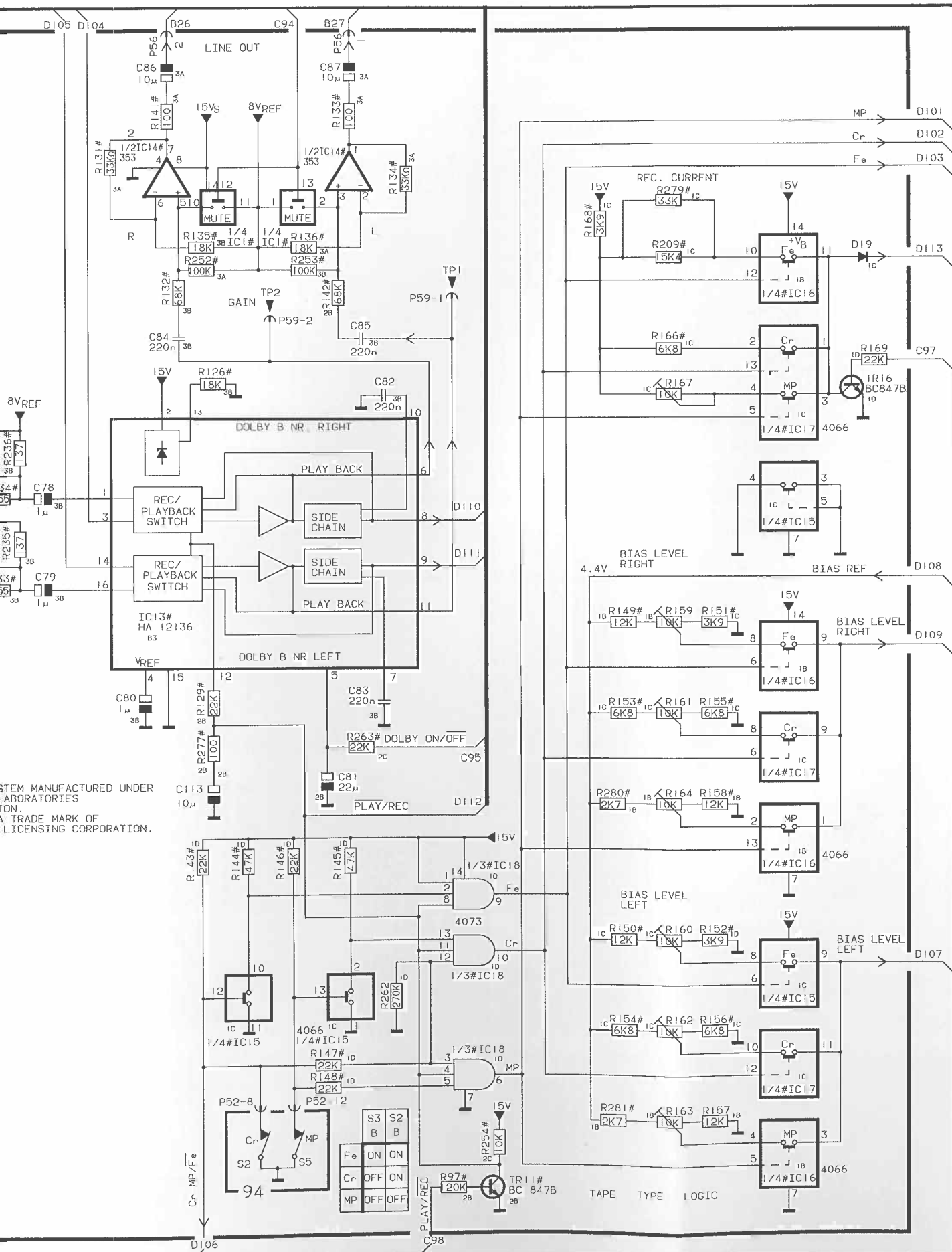


DIAGRAM D TAPE AF AND CONTROL



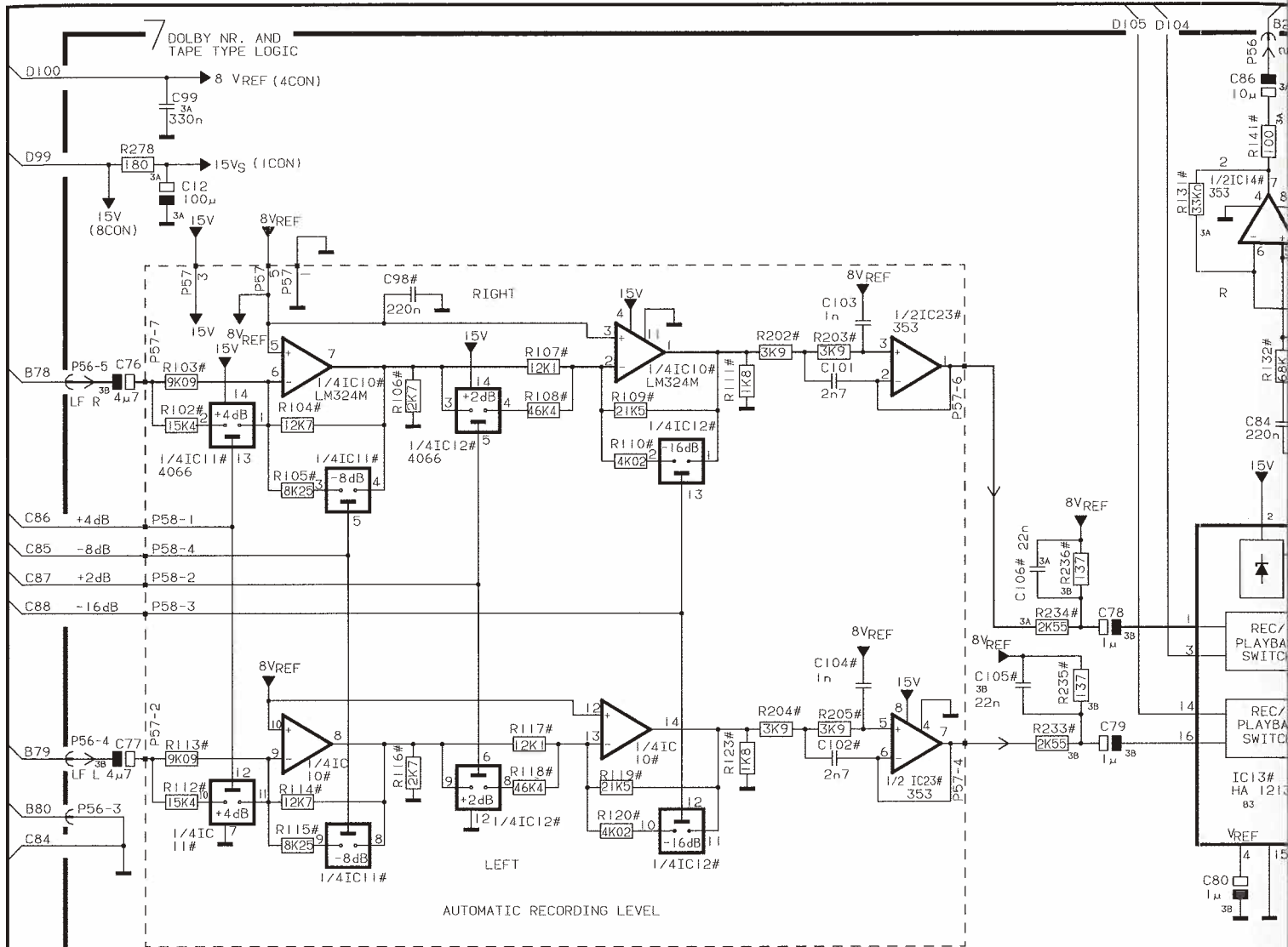


SYSTEM MANUFACTURED UNDER  
 LABORATORIES  
 ION.  
 A TRADE MARK OF  
 LICENSING CORPORATION.

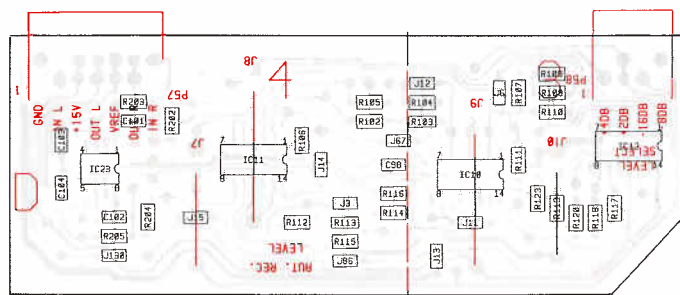
S3	B	S2	B
Cr	OFF	ON	ON
MP	OFF	OFF	OFF

TAPE TYPE LOGIC

### DIAGRAM E DOLBY NR AND TYPE LOGIC



NOISE REDUCTION SYSTEM MANUFACTURED UNDER LICENS FROM DOLBY LABORATORIES LICENSING CORPORATION. THE WORD DOLBY IS A TRADE MARK OF DOLBY LABORATORIES LICENSING CORPORATION.



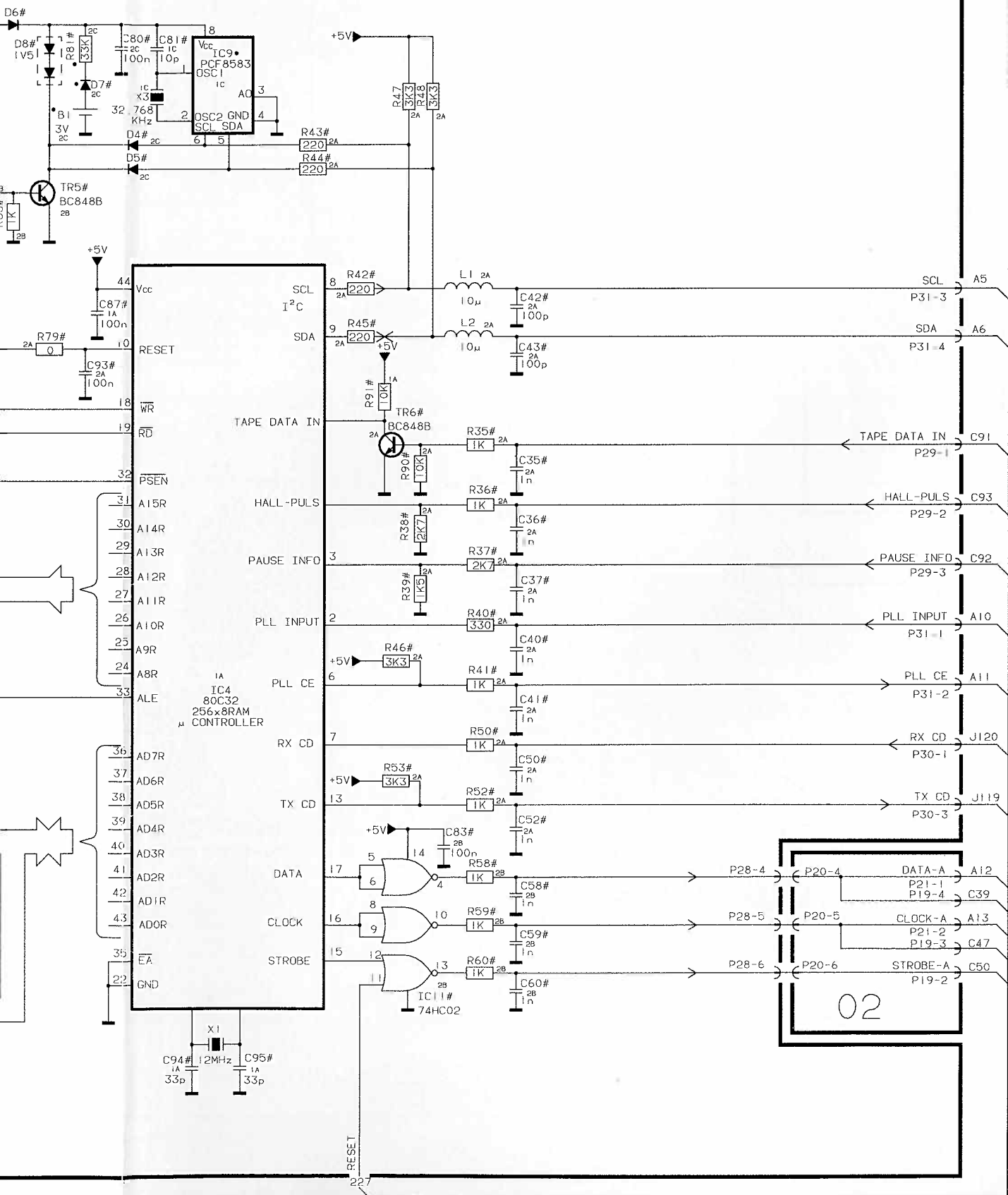
# = SMD COMPONENT





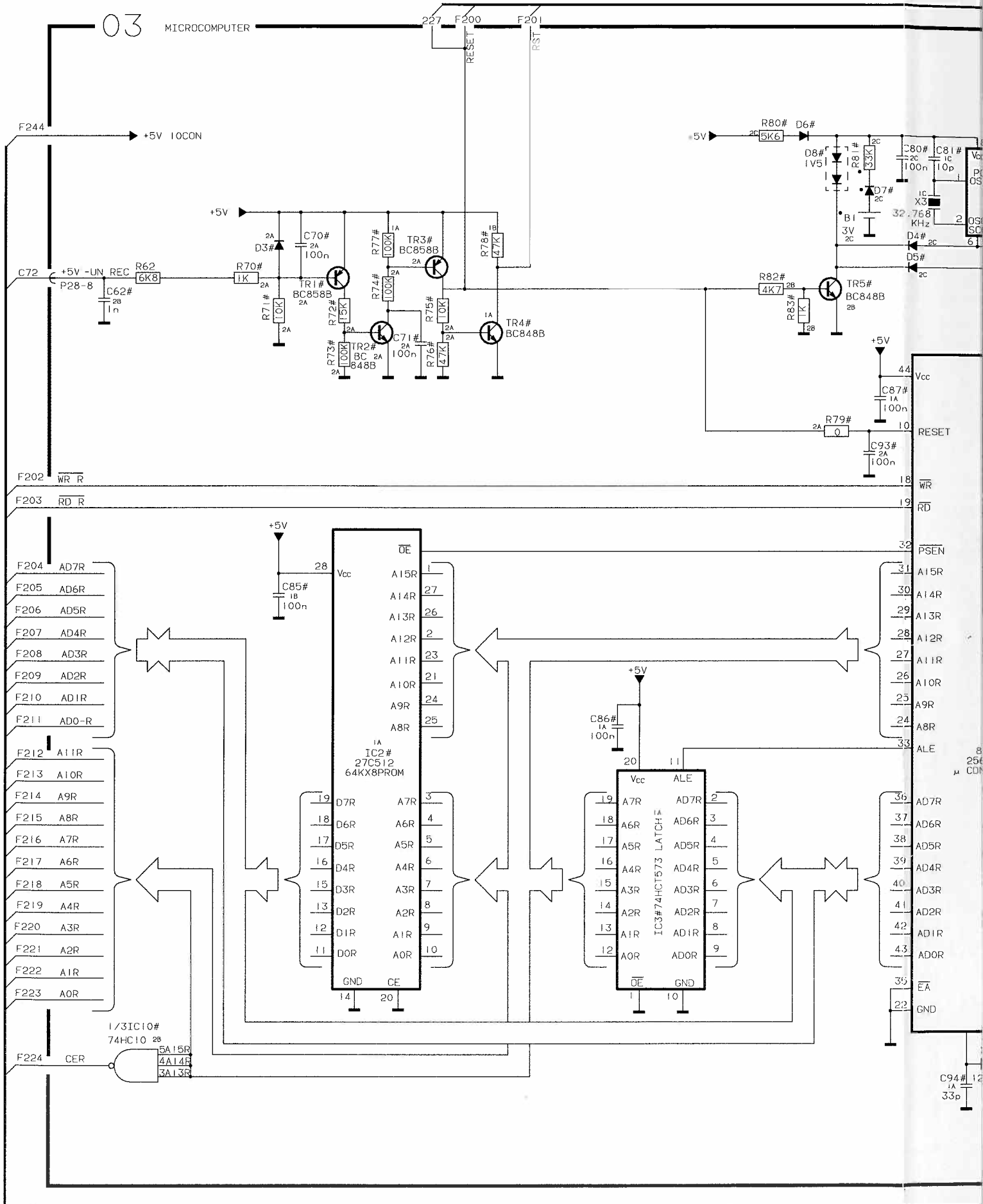


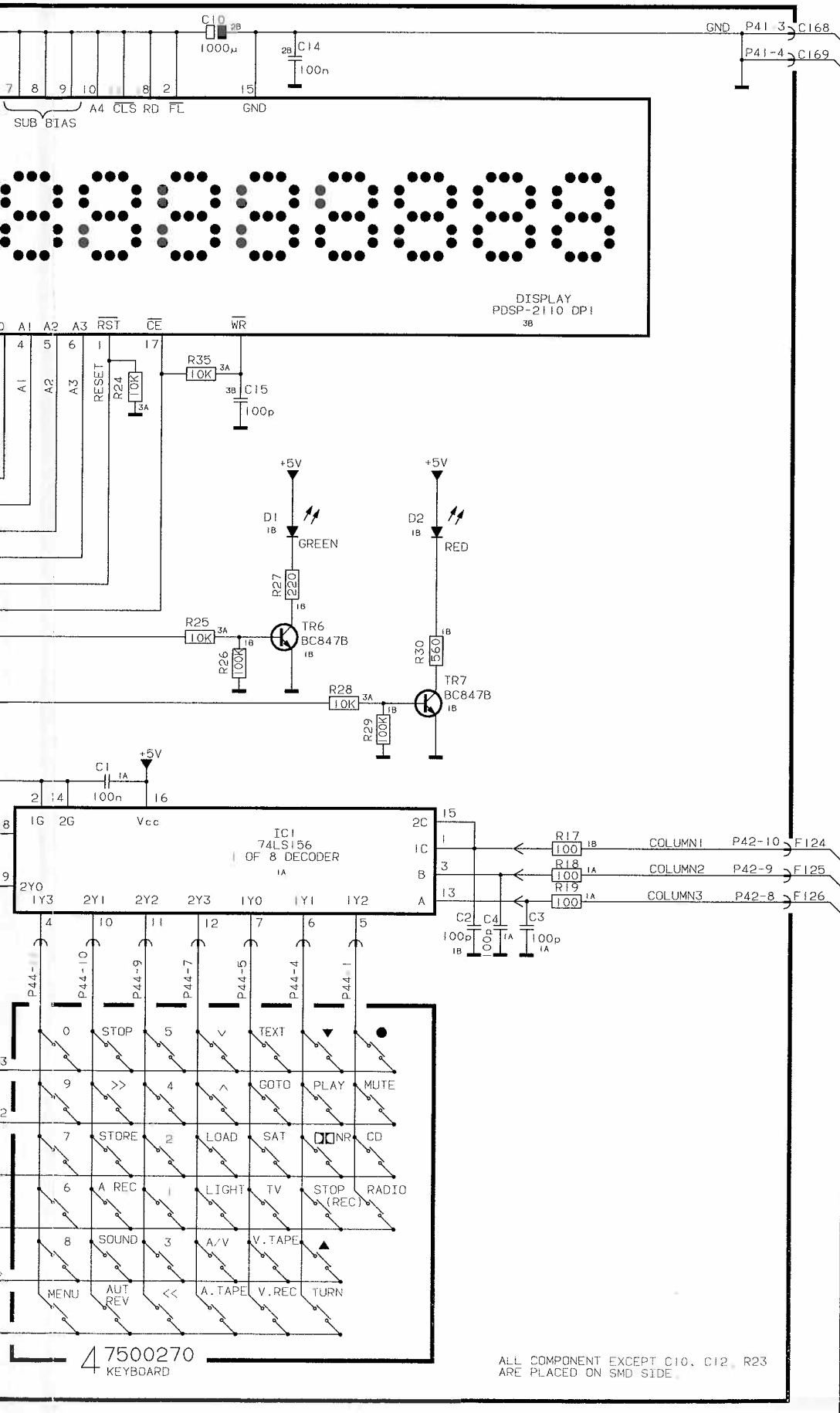
• AFTER REPLACEMENT OFF-SET  
ADJUSTMENT HAS TO BE DONE  
SEE SECTION 5



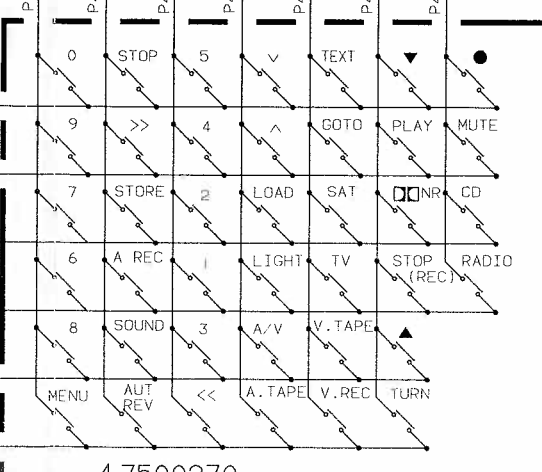
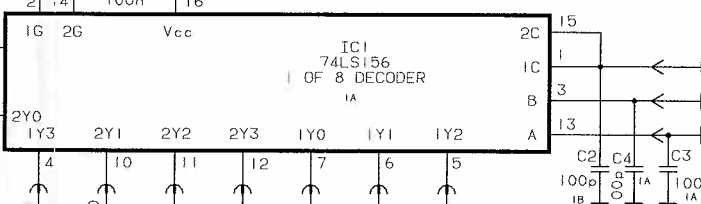
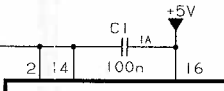
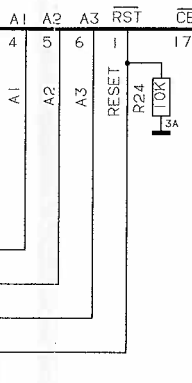
02

## DIAGRAM f MICROCOMPUTER



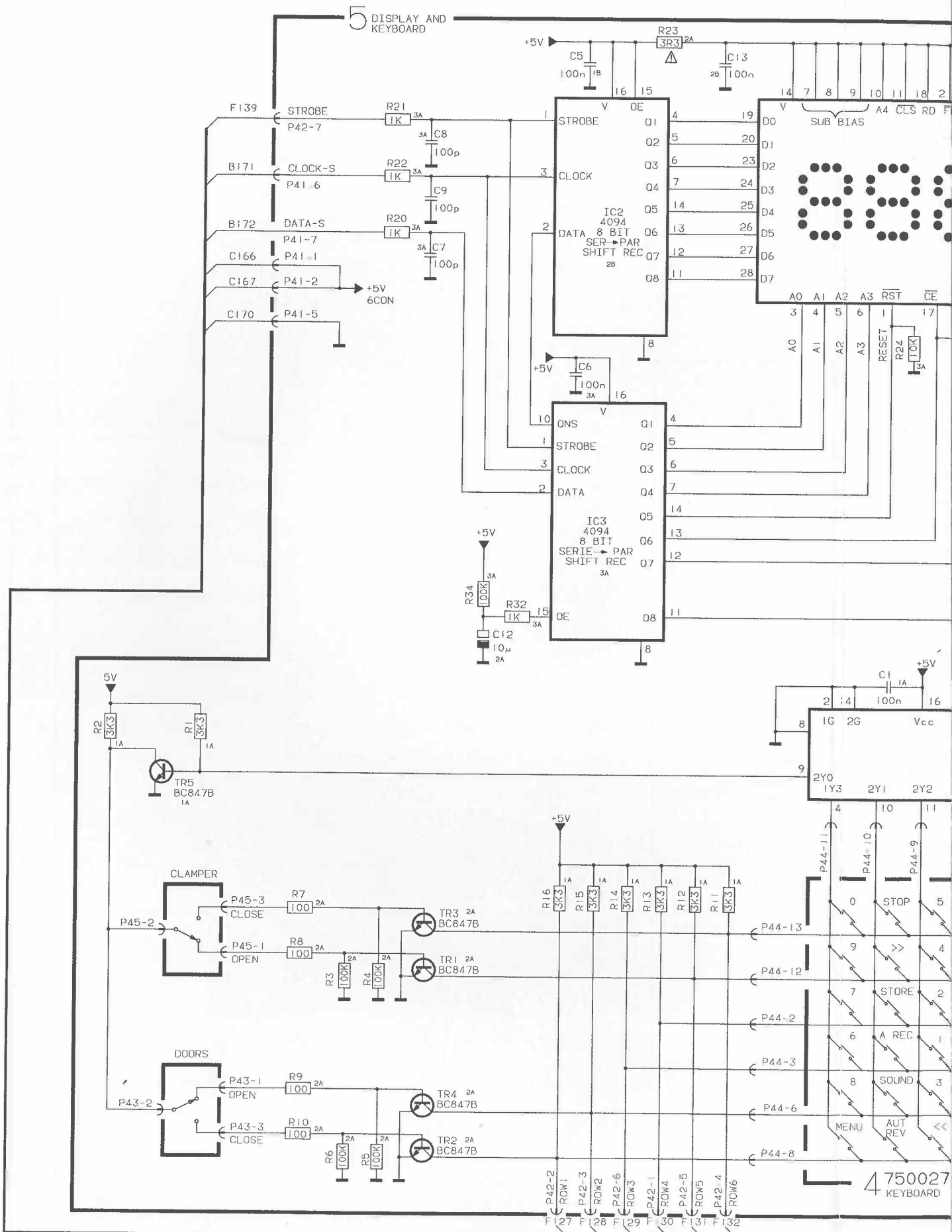


DISPLAY  
PDSP-2110 DP1  
38



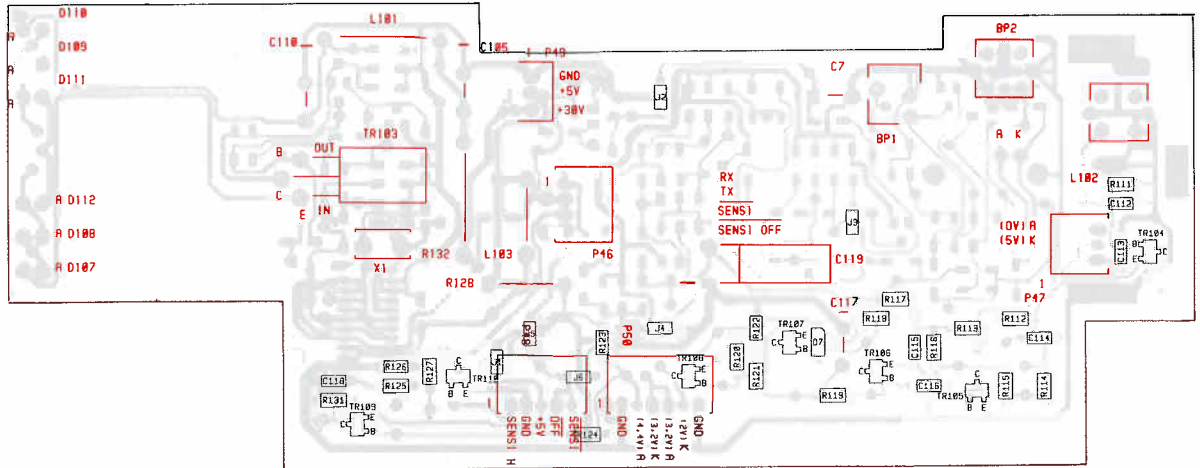
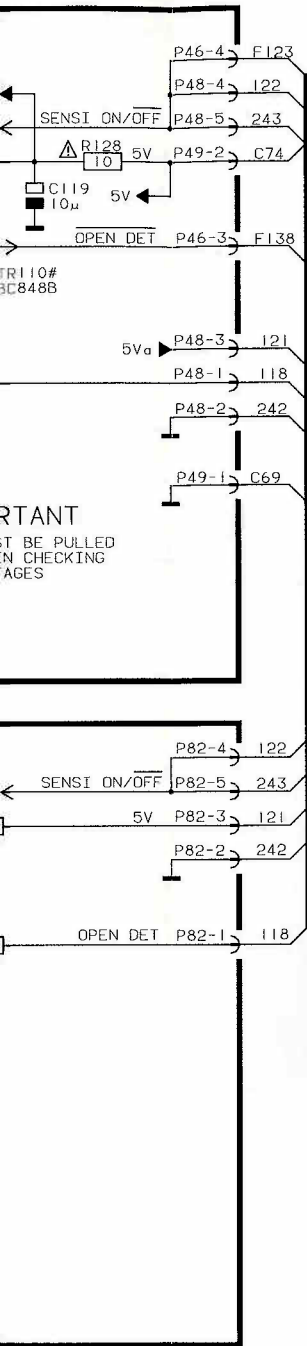
ALL COMPONENT EXCEPT C10, C12, R23  
ARE PLACED ON SMD SIDE.

DIAGRAM G DISPLAY AND KEYBOARD

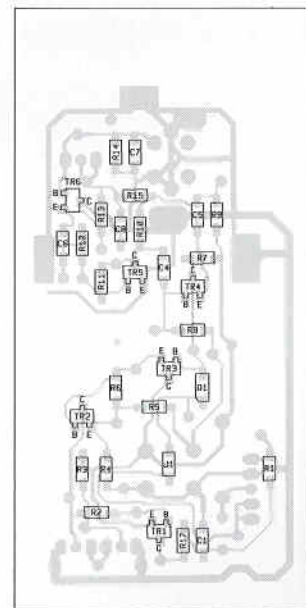


4 750027  
KEYBOARD

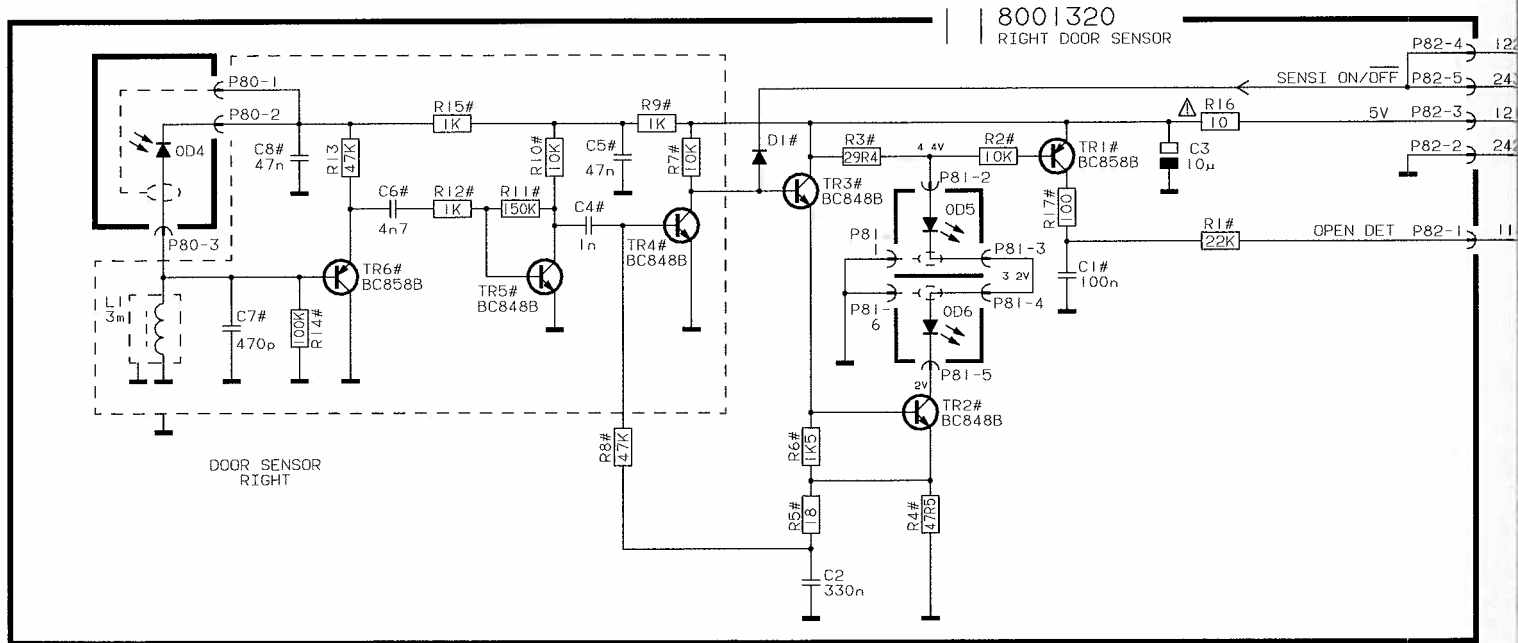
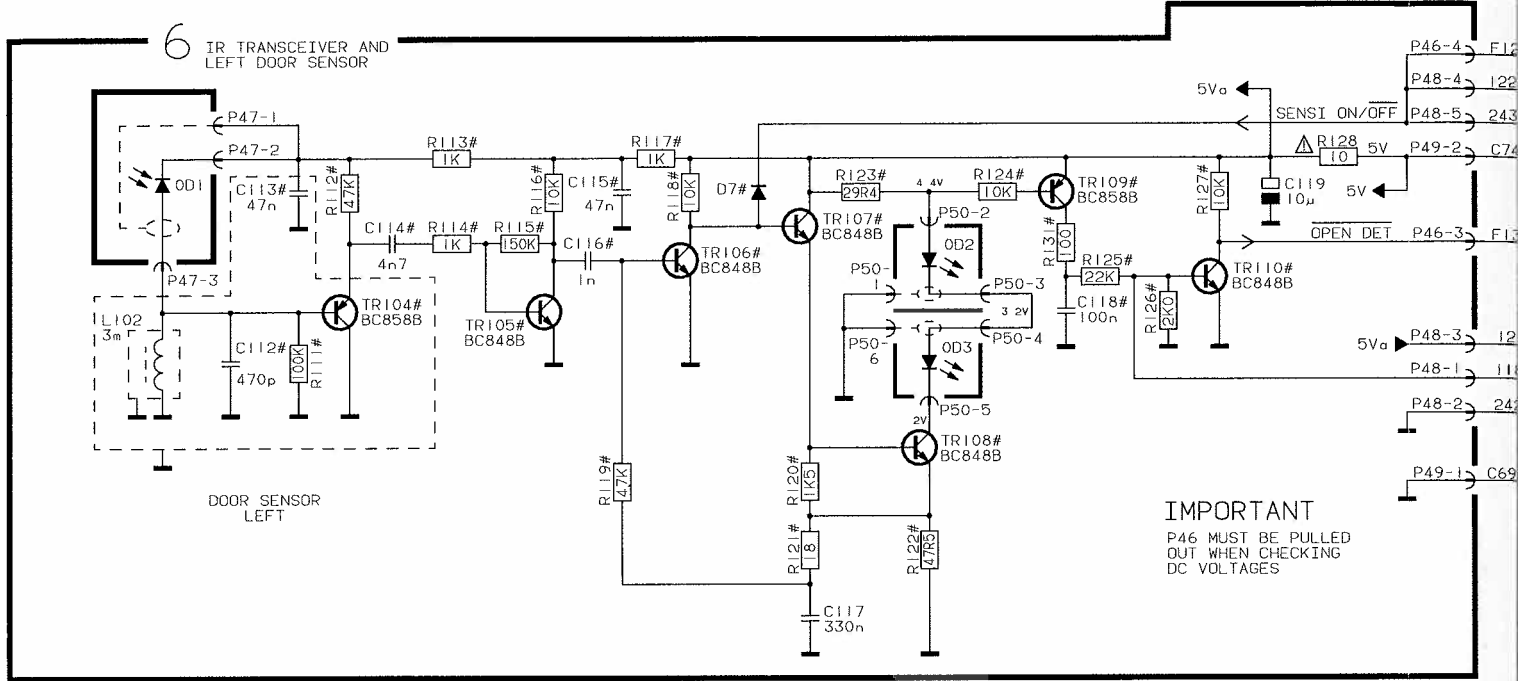
PCB6, Door Sensor

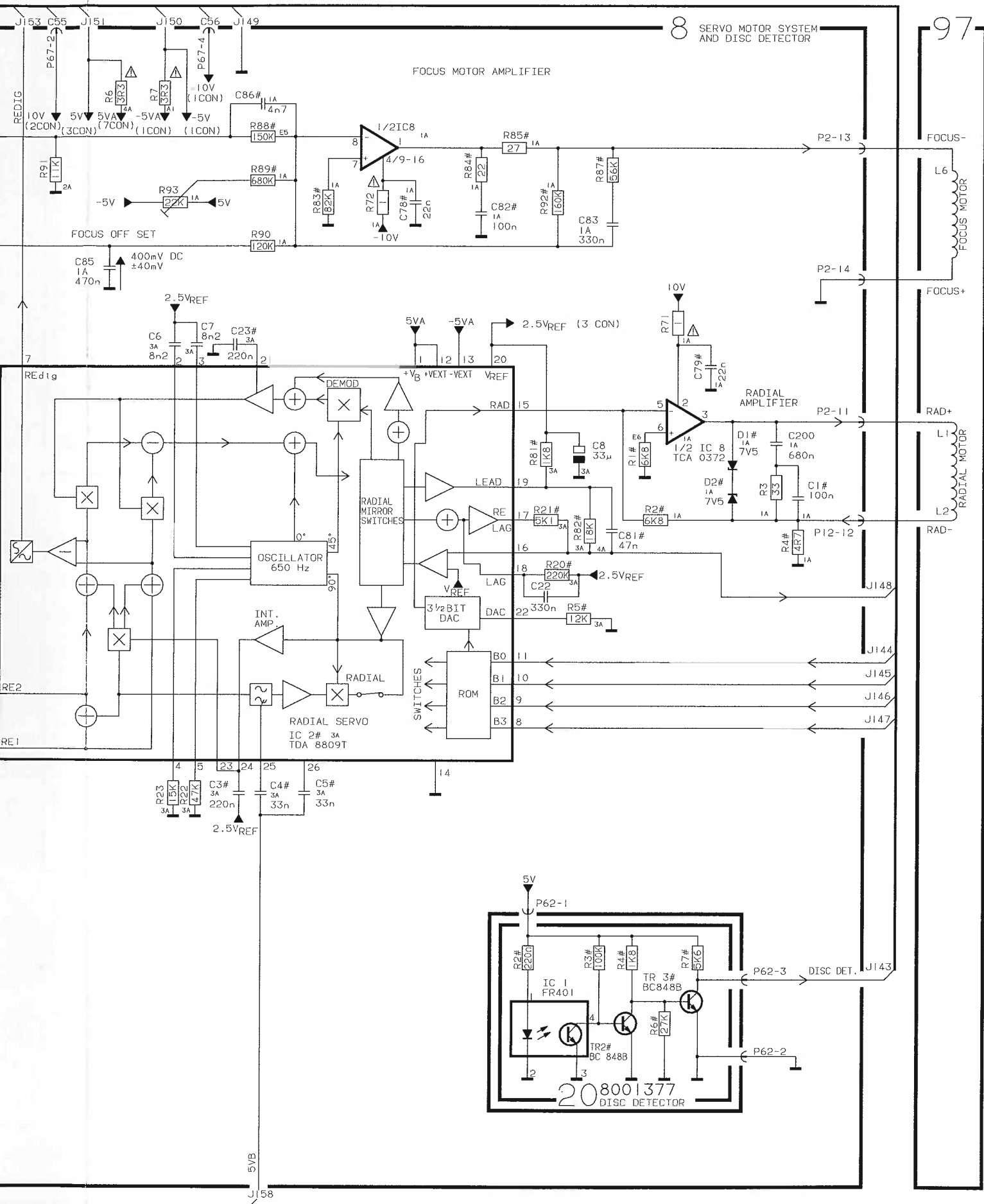


PCB 11, Right door sensor



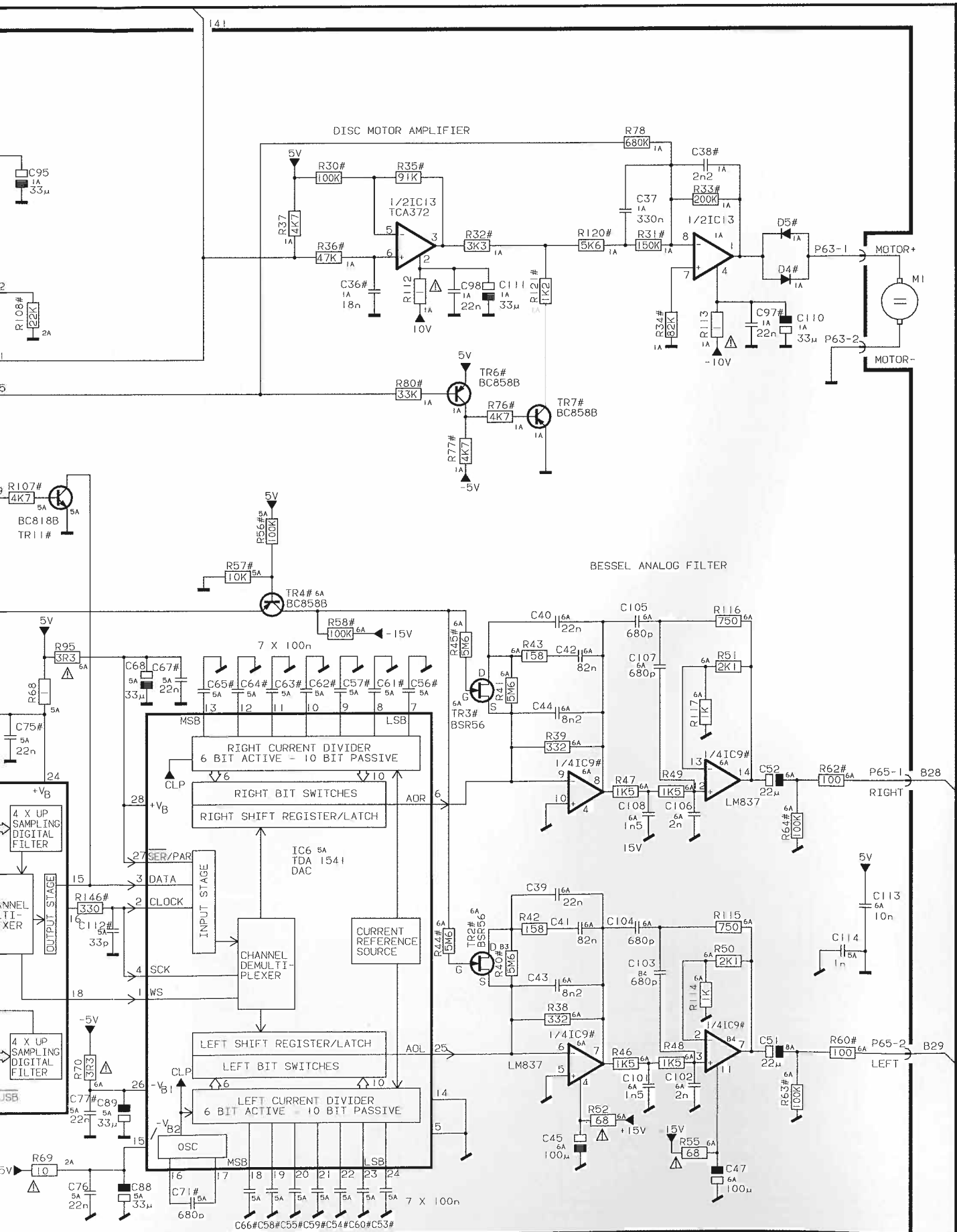
## DIAGRAM H DOOR SENSOR





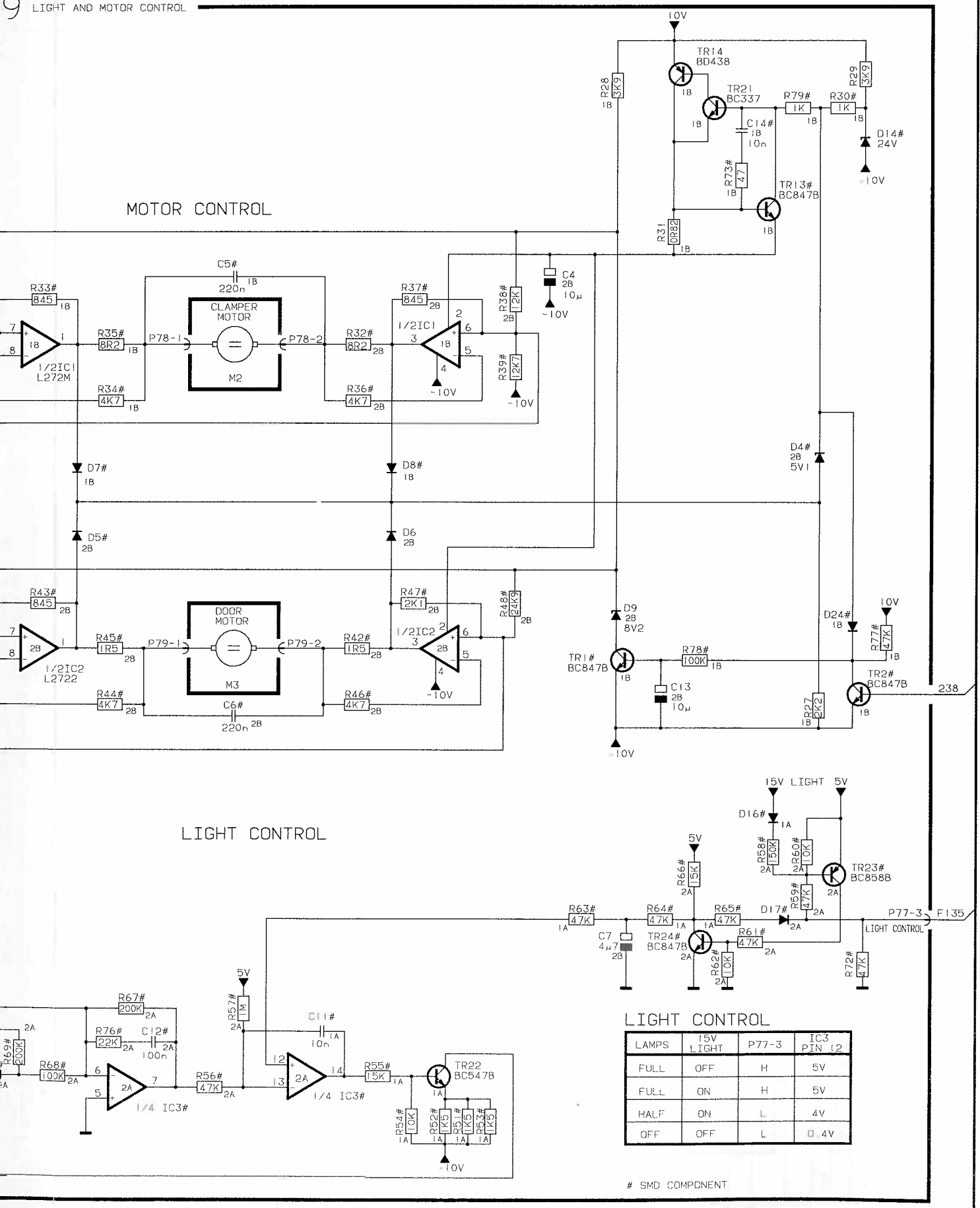








9 LIGHT AND MOTOR CONTROL

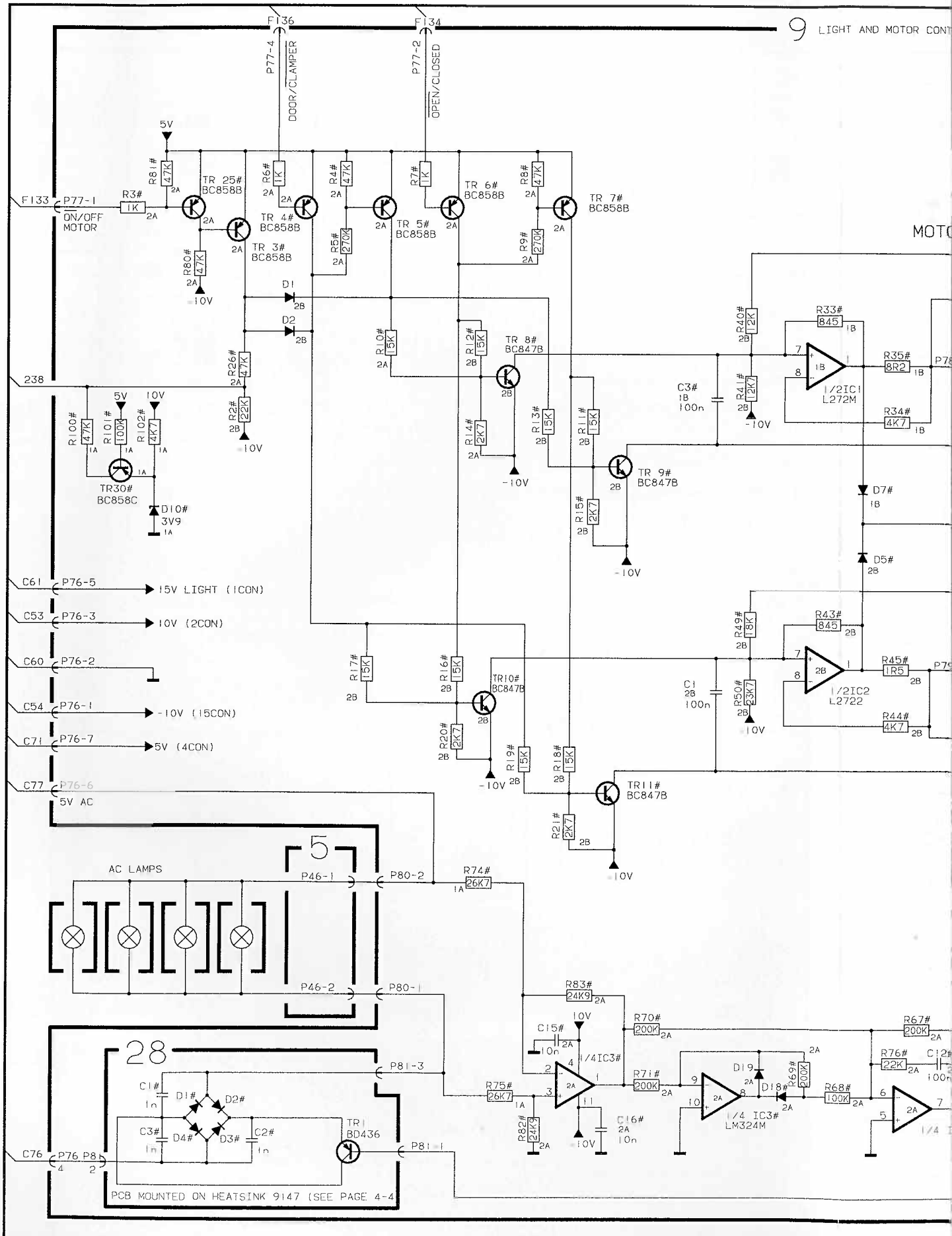


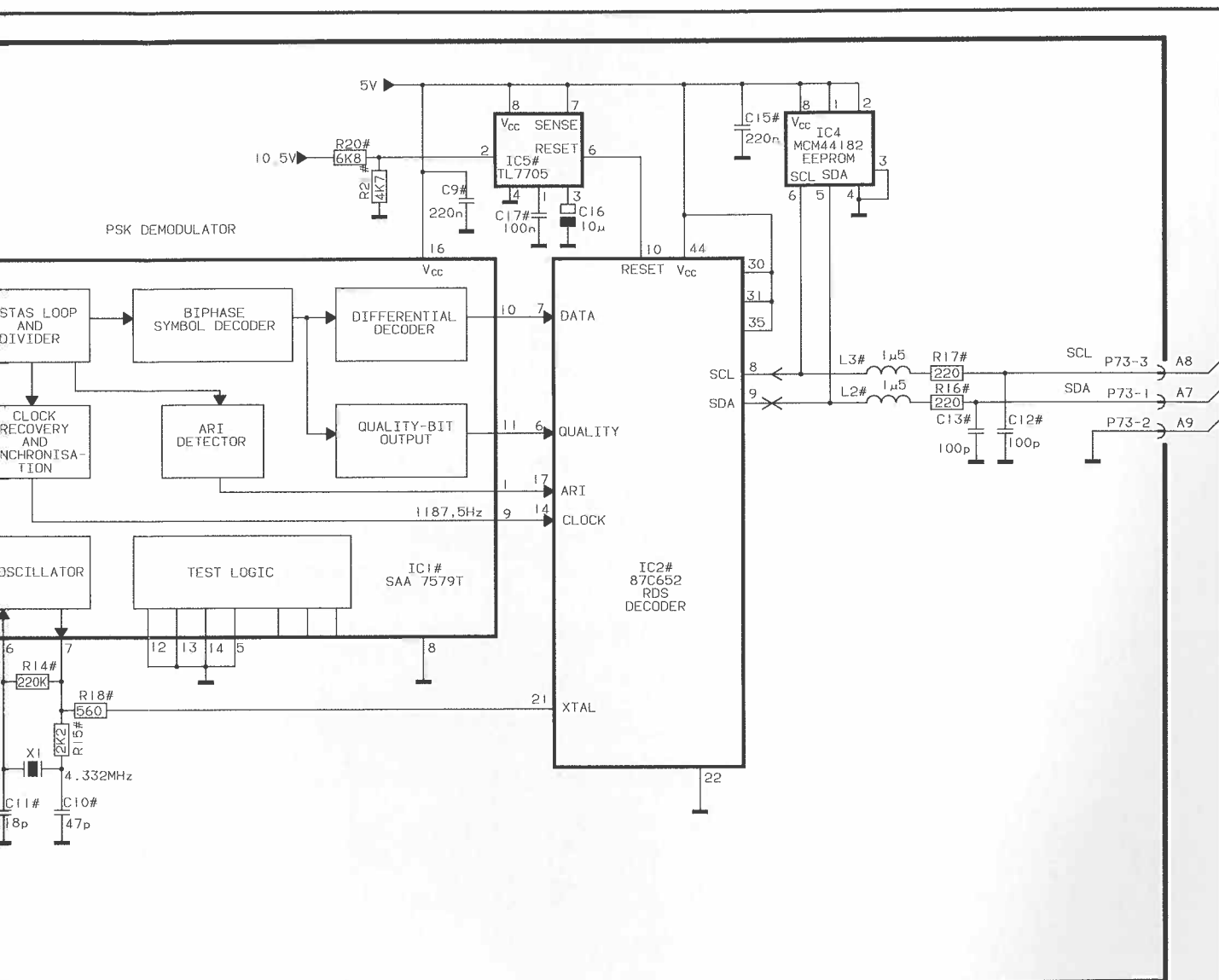
LIGHT CONTROL

LAMPS	15V LIGHT	P77-3	IC3 PIN 12
FULL	OFF	H	5V
FULL	ON	H	5V
HALF	ON	L	4V
OFF	OFF	L	0.4V

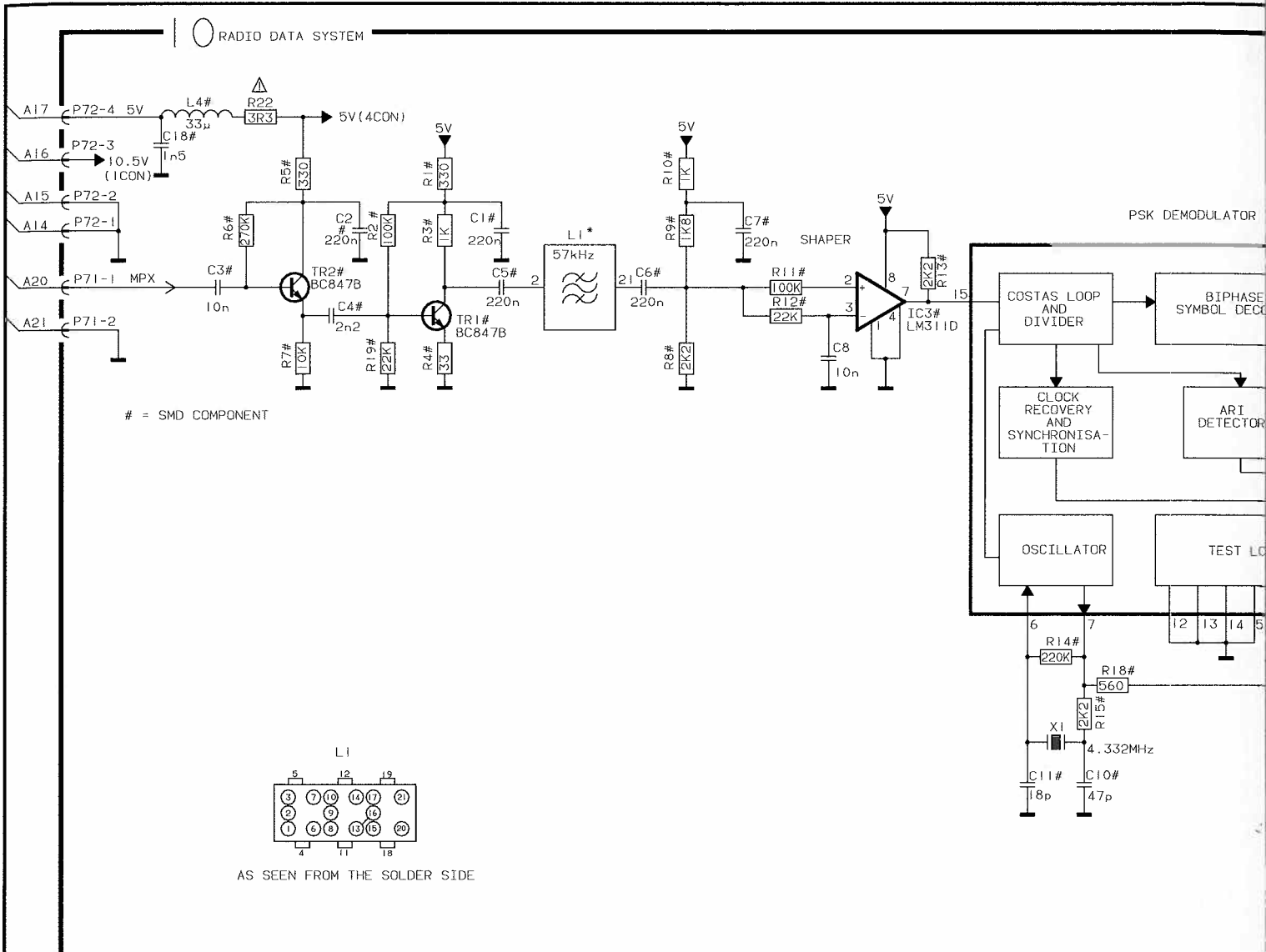
# SMD COMPONENT

DIAGRAM K LIGHT AND MOTOR CONTROL

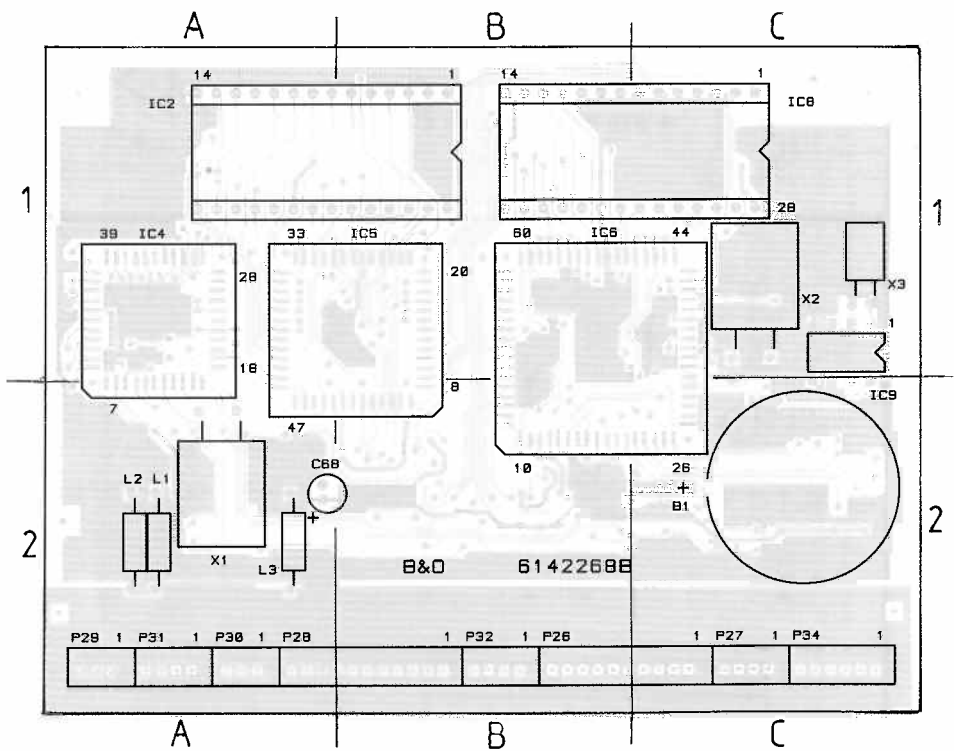
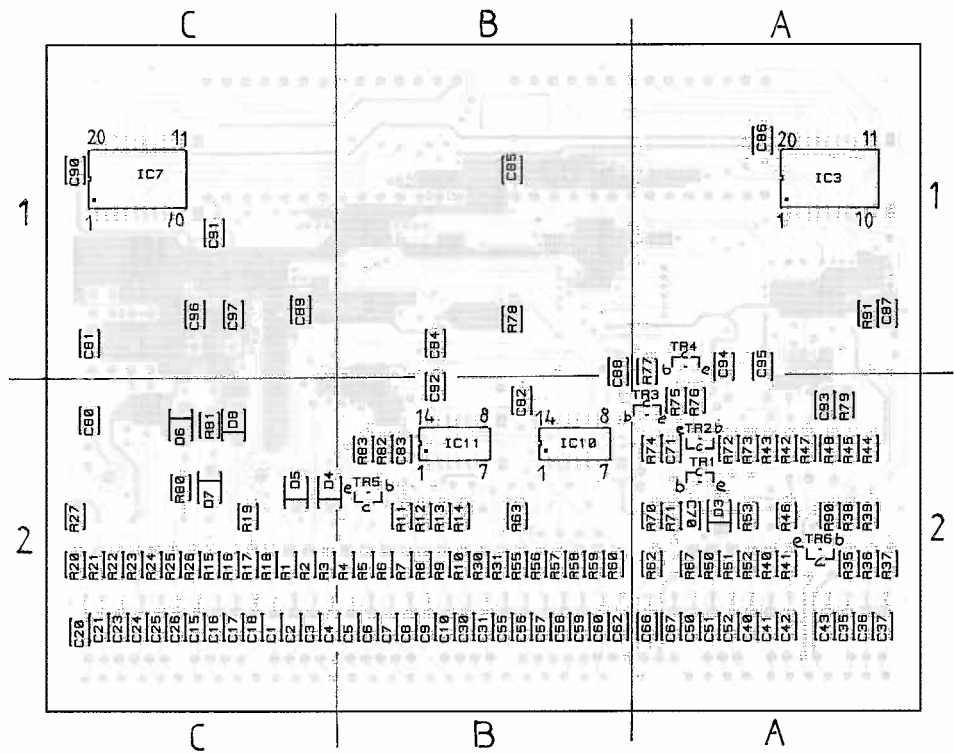




## DIAGRAM L RADIO DATA SYSTEM

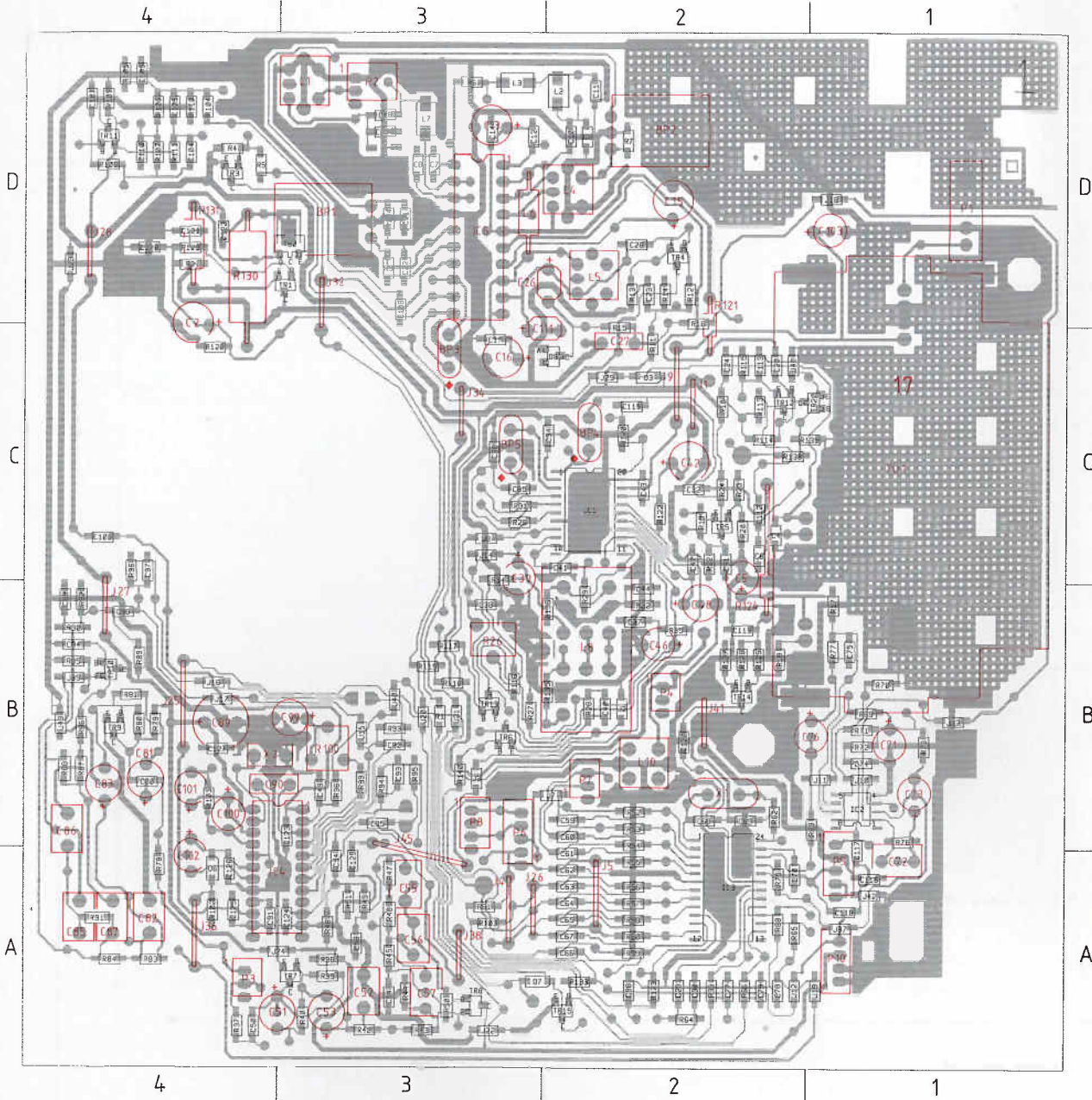


PCB 3 Microcomputer

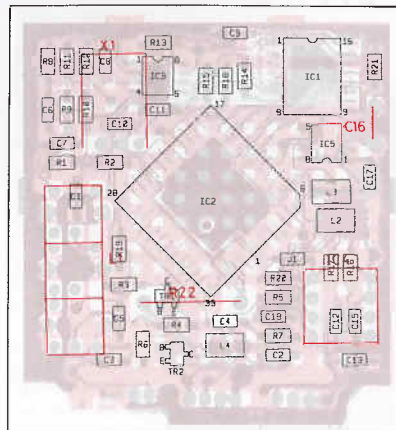


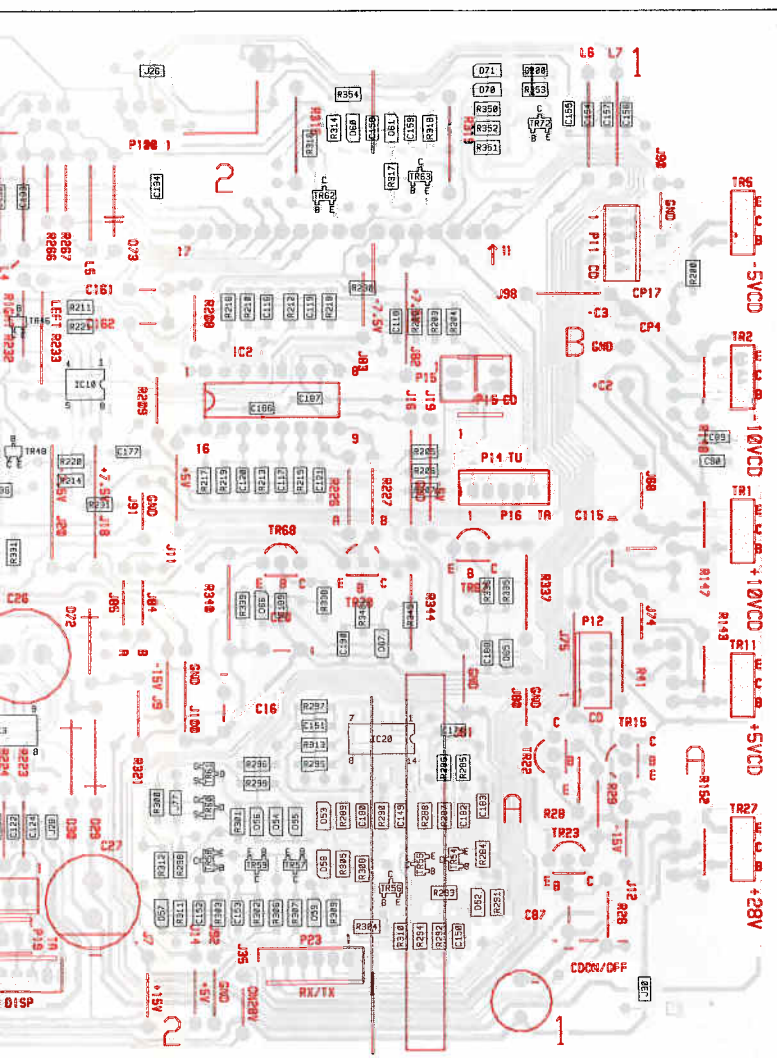


PCB 1 Tuner and IF System

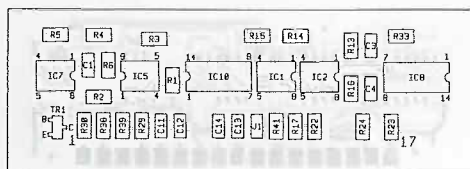
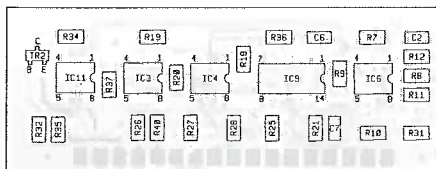
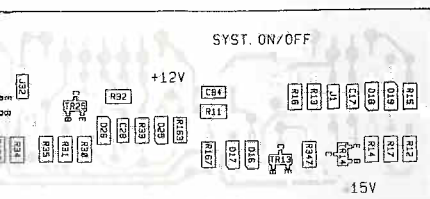


PCB 10 RDS

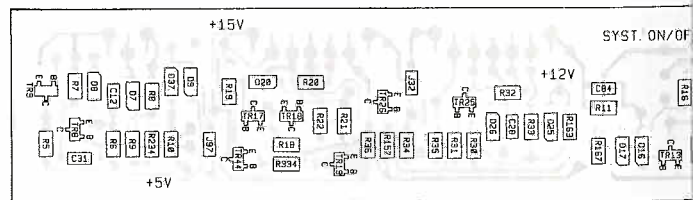
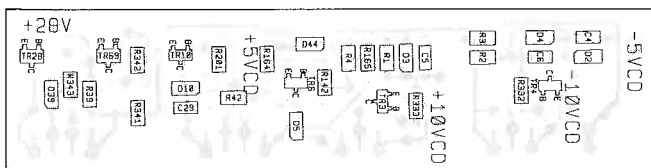
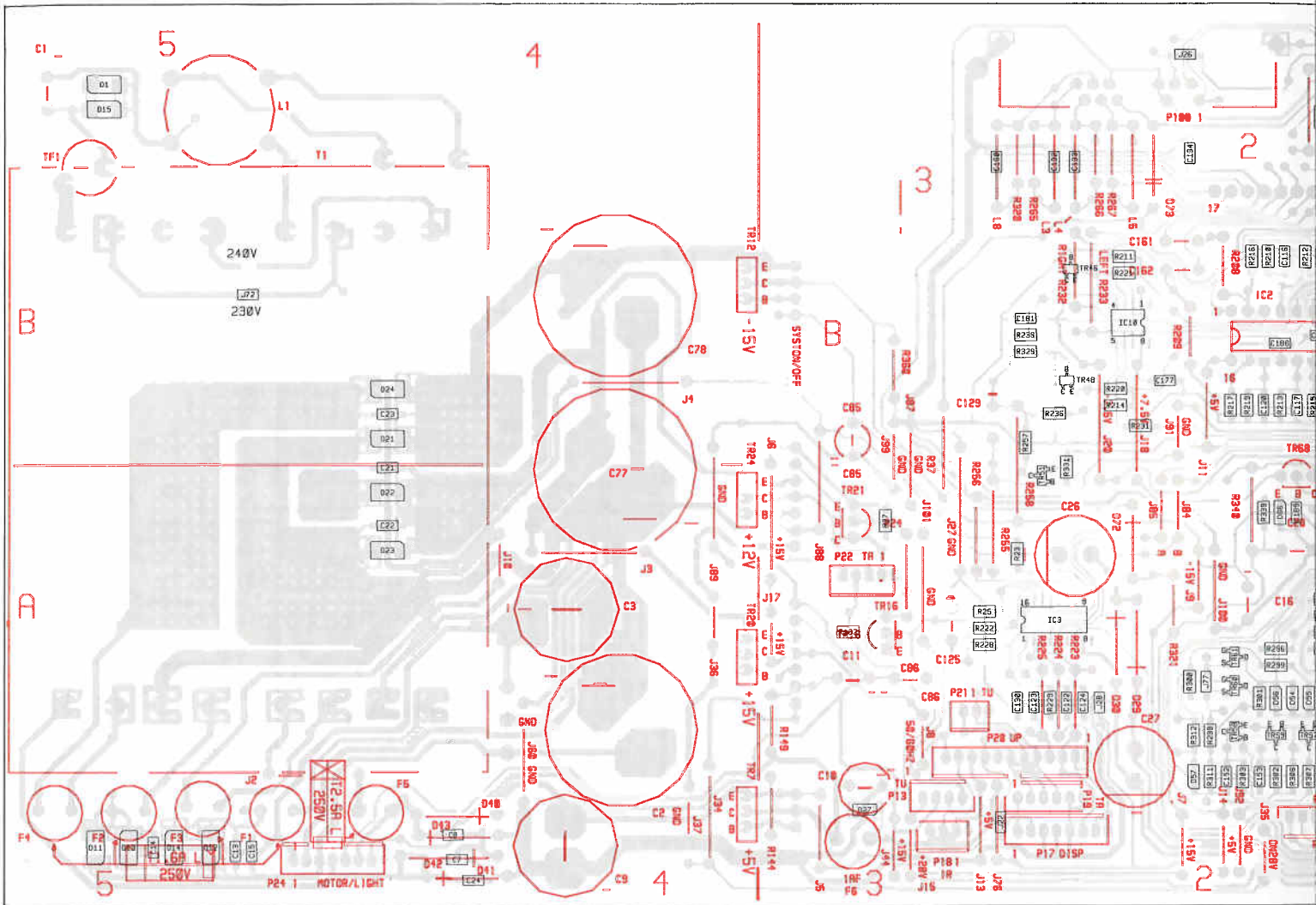


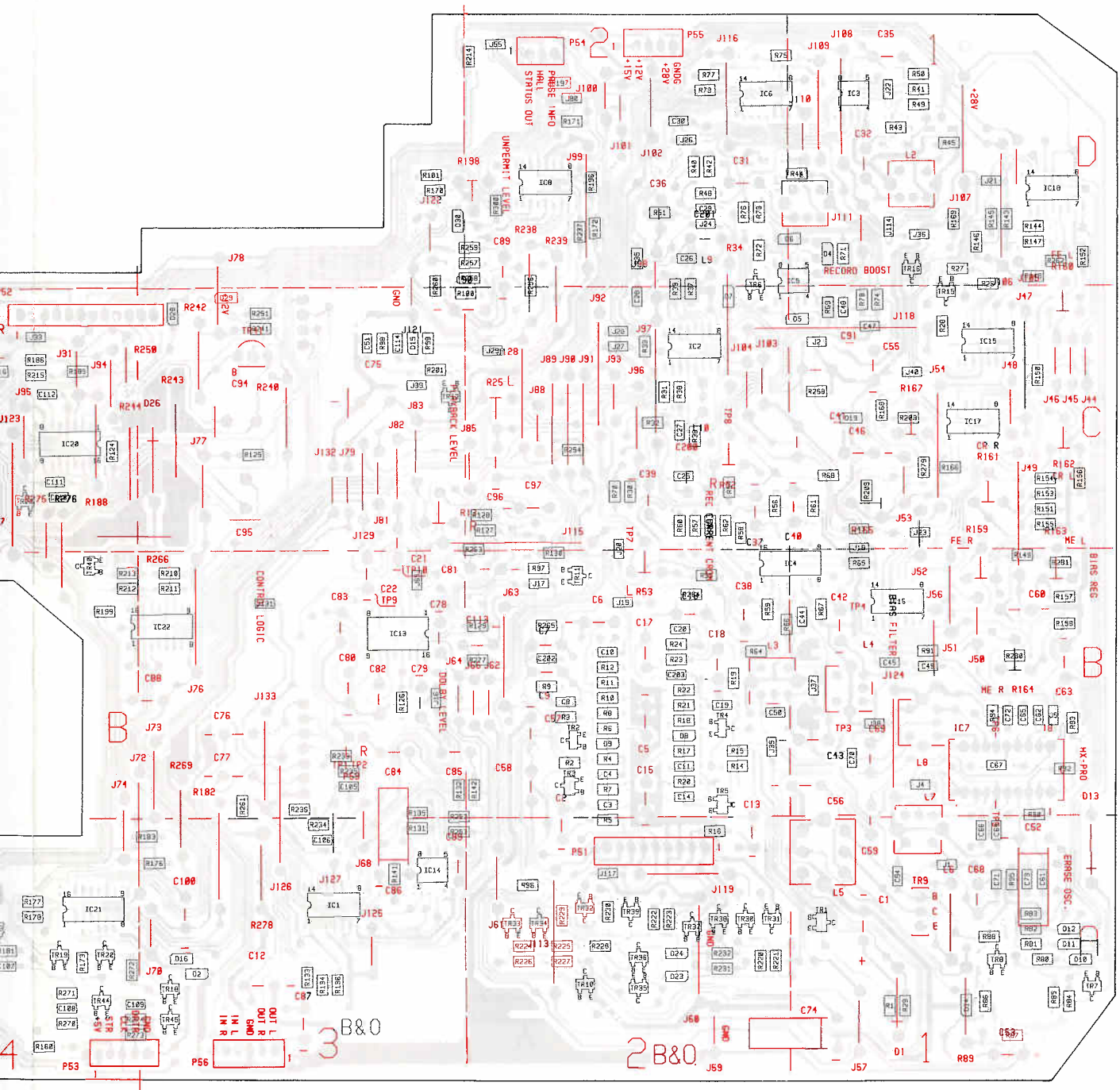


PCB Master Link Interface

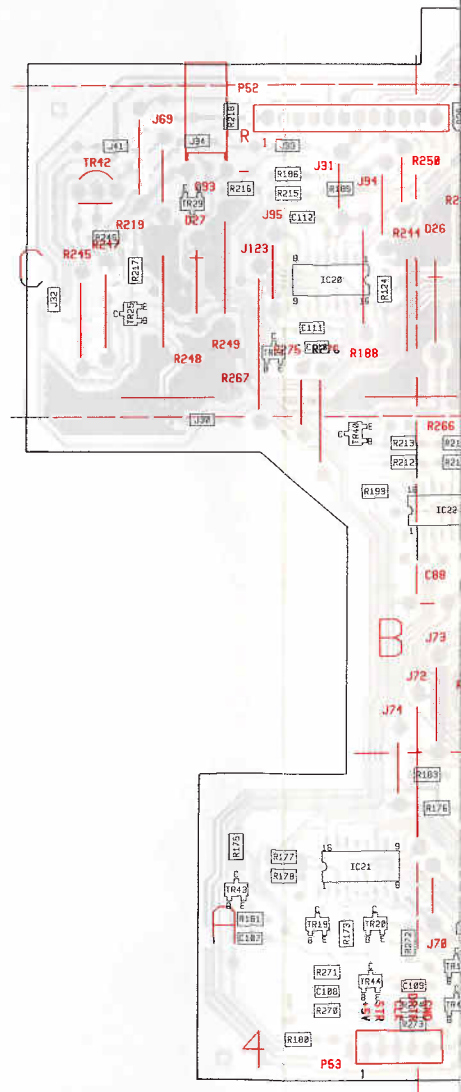
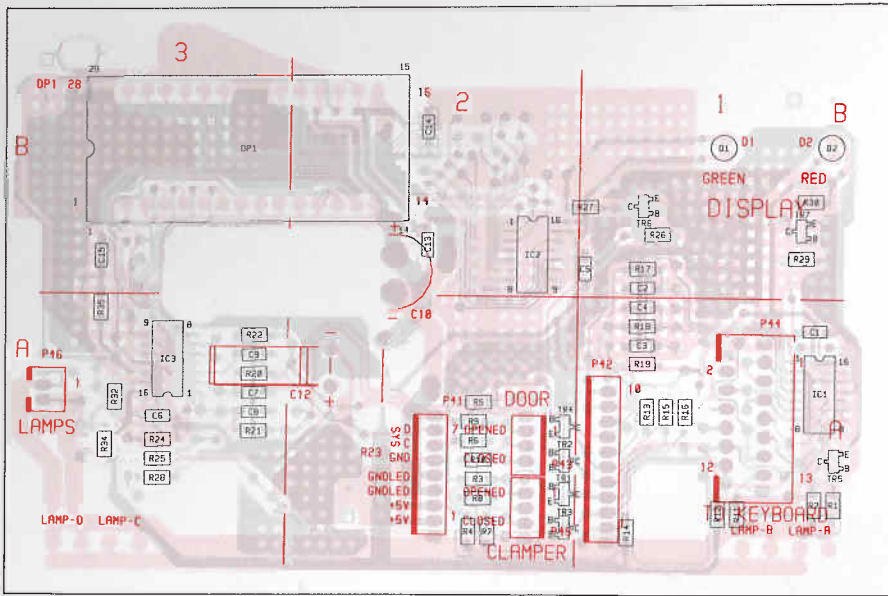


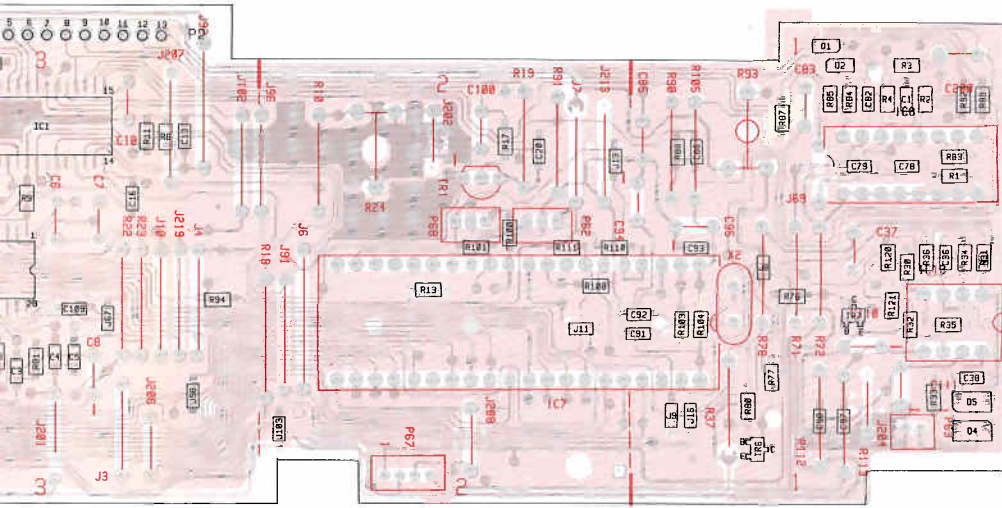
## PCB 2 Power Supply and Input Select



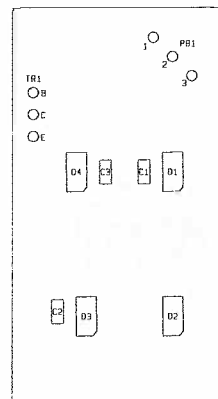


PCB 5 Display





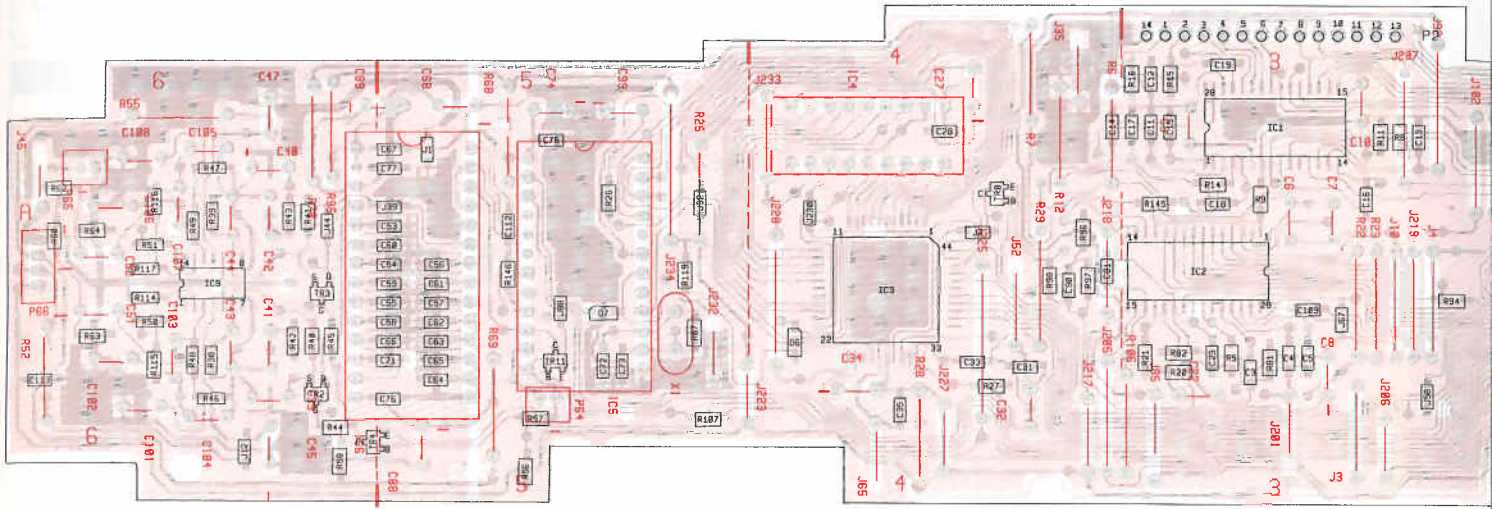
PCB 28 Light Control Output



PCB 20, Disc detector



PCB 8, CD, Version G



PCB, Light and motor control, Version G

