

DIAGRAM FOR SPOLESYSTEM

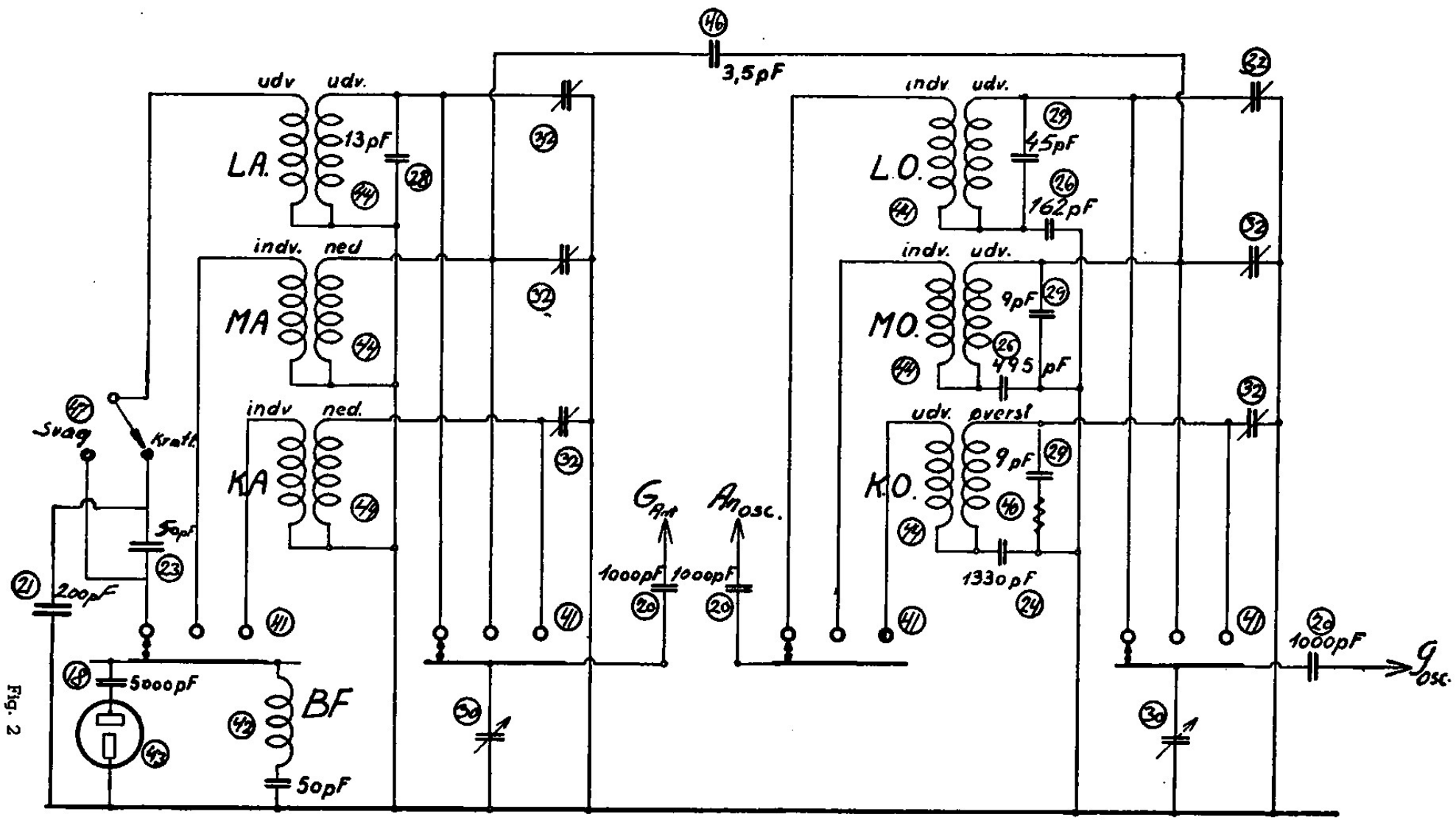


Fig. 2