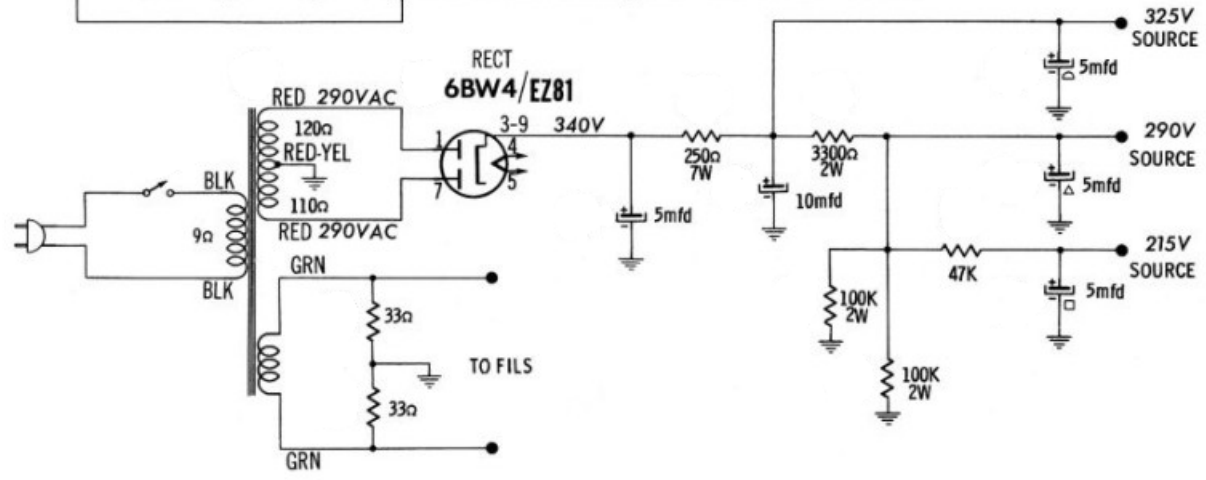


1. DC voltage measurements taken with vacuum tube voltmeter; AC voltages measured at 1000 ohms per volt.
2. Socket connections are shown as bottom views.
3. Measured values are from socket pin to common negative.
4. Line voltage maintained at 117 volts for voltage readings.
5. Nominal tolerance of component values makes possible a variation of ±15% in voltage and resistance readings.
6. All controls at minimum, proper output load connected.

TONE SW (M1) SHOWN IN "DEEP BASS" POSITION
 SW SEQUENCE:
 1. DEEP BASS
 2. MELLOW
 3. CRISP
 4. BRILLIANT



CHALLENGER CHA10 INTEGRATED AMPLIFIER