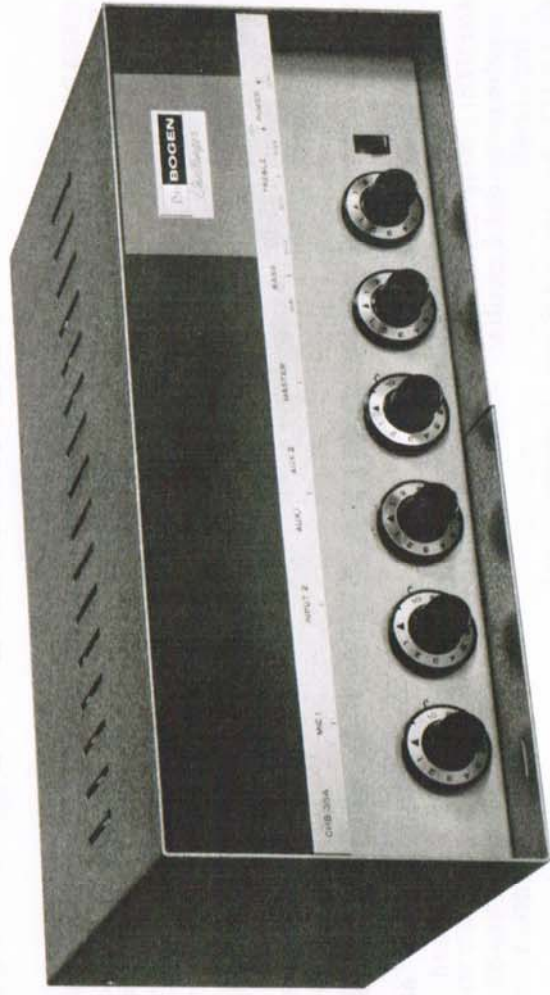


BOGEN®

The Challenger Series



MODEL CHB35A

35 WATT PUBLIC ADDRESS AMPLIFIER

LEAR SIEGLER, INC.



BOGEN DIVISION
P.O. BOX 506
PARAMUS, N.J. 07652

INSTALLATION AND OPERATING MANUAL

READ THOROUGHLY BEFORE OPERATING EQUIPMENT

INTRODUCTION

The model CHB35A is a general purpose 35 watt public address amplifier. It features five separate inputs with facilities for selection and mixing of up to three inputs. A master volume control provides control of overall gain. Separate Bass and Treble controls are incorporated for

adjusting tonal balance.

Outputs are provided for all standard speaker impedances and for operation with 25 volt and 70 volt long line speaker systems. Two quick-disconnect plugs permit quick connection of speaker system.

TECHNICAL SPECIFICATIONS

USEABLE POWER: 35 watts at 5% distortion
FREQUENCY RESPONSE: 20 to 20,000 HZ, ± 2 db

HUM & NOISE:

MIC Input: 65db below rated power
AUX Input: 80db below rated power

GAIN:

MIC Input: 125db
AUX Input: 100db
MAG Phono Input: 115db

SENSITIVITY:

MIC Input: 4 millivolts
AUX Input: 0.2 volts
MAG Phono Input: 12 millivolts

INPUTS: 2 microphone (high impedance), 1 magnetic phono and 2 auxiliary (high impedance, high level)

OUTPUTS: Speaker - 4, 8 and 16 ohms, 25 volt (18 ohms) and 70 volt (143 ohms) line, 2 Quick

Disconnect type sockets and connectors provided, in addition to screw type terminals.

tone CONTROL ACTION:

TREBLE: +10 to -16db at KHZ
BASS: +14 to -10db at 50 HZ

CONTROLS: Microphone No. 1 Volume, Input 2 Volume, Input 2 Selector Switch, Aux 1/2 Volume, Master Volume, Bass, Treble, Power and Balance Adjustment. Provisions for Remote Volume Control of Mic 1 and Mic 2/Mag Phono.

TUBES: Total of 5 - 6EU7, 12AX7, 6C4, 2 - 7868 and 3 silicon diodes.

POWER CONSUMPTION: 125 watts 105 - 125 Volts, 50 to 60 cycles

DIMENSIONS: 15-3/4" wide, 6-3/4" high, 10" deep

WEIGHT: 18 lbs.

ACCESSORIES

MODEL SR-2 REMOTE CONTROLLER

Permits the user to control the gain of the Mic 1 and Mic 2/Mag Phono inputs from distances up to 2,000 feet from amplifier without sacrificing power or signal quality. Allows you to mix and fade the two signal inputs.

MODEL LK-5 LOCKING PLATE

Model LK-5 Locking Plate is designed to prevent unauthorized tampering with controls of amplifier. Comes complete with instructions and a set of two keys. As a safety factor, key cannot be removed when lock is in open position.

MODEL LPC-4 PHONO PLAYER TOP

Model LPC-4 is a complete 4-speed phono player designed to be mounted directly on top of amplifier. The unit comes complete with all necessary hardware. It can be easily installed and connected to amplifier with only a screwdriver. It includes a 4-speed vibration-isolated turntable and tone arm housing a dual-styli turnover cartridge.

MODEL WMT-1 LINE MATCHING TRANSFORMER

Used with this amplifier for distribution of background music directly from a leased telephone line, wired music systems, or any 0 level 500/600 ohm line. Provides an impedance match between balanced line and high impedance input of amplifier. The WMT-1 has a 3-screw terminal strip for input connections and a shielded cable terminated in a phono plug for output. No wiring or soldering required to connect it to amplifier. Pre-drilled holes are provided for quick mounting.

RPK-14 RACK PANEL

The Bogen Model RPK-14 rack panel kit has been designed to mount the CHB35A amplifier in a standard 19" x 7" cabinet rack. The rack panel is fabricated from 1/16" thick cold-rolled steel and is finished in gray metalustre enamel.

CARRYING CASE AND SPEAKERS

A carrying case with speakers is available for portable systems. The Bogen Model CC12S

contains a 12" high-efficiency PM magnet speaker in each of two case sections. Both sections also include 25 feet of interconnecting cable and a plug.

INSTALLATION

UNPACKING

Inspect shipping container and unit for indications of improper handling. The unit was carefully checked before leaving factory. If unit has been damaged, make an immediate claim to dealer or distributor from whom it was purchased. If unit was shipped to you, notify transportation company without delay and place your claim.

CONNECTIONS BETWEEN COMPONENTS

Use single conductor, low-capacity shielded wire for connecting the record player, tape recorder, and other components (except speakers) to amplifier. Keep leads under 35 feet in length. Speakers may be connected with standard flexible line cord ("zip cord") and up to 100 feet of cable may be used without appreciable loss.

Make certain that all audio cables are kept away from speaker cables, power cables, and power transformers, and that speaker cables are kept away from power cables.

MICROPHONE

Two microphones may be connected to the amplifier simultaneously. Connect one to the MIC 1 receptacle and the second to the MIC 2 receptacle (see figure 1). When using the MIC 2 Input move the INPUT 2 SELECTOR switch to the MIC 2 position.

The microphones should be of the high-impedance type (ceramic, crystal, etc.). Use a Bogen Part No. 85-0130-01 connector (or equivalent), and single-conductor shielded cable under 35 feet in length for connection of microphone.

PHONO

Phonographs employing either ceramic, crystal or magnetic cartridges may be connected to the amplifier. For phonographs using a magnetic cartridge, connect the input cable to the MAG receptacle and move the INPUT 2 SELECTOR switch to the MAG position.

Phonographs employing a ceramic or crystal type cartridge may be connected to either the

POWER AND GROUNDING

The amplifier is furnished with an AC line cord terminated in a three-prong plug. Plug the line cord into a three-wire grounded outlet providing a nominal 120-volt, 50-60 cycle power source. This will ground the amplifier as well as supply power to it.

It is advisable to ground the amplifier. Therefore, if a three-wire outlet is not available, an adapter such as Leviton No. 5017 should be used to convert a standard two-wire outlet for use with three-wire plugs. The adapter is provided with a grounding pigtail which should be connected to the screw holding the wall plate to the receptacle, as shown in figure 3.

NOTE

In some areas, the wall plate screw is not grounded. In this case it will be necessary to connect a grounding wire between the GND terminal on the rear chassis of the amplifier to a water or steam pipe.

INPUT CONNECTIONS

AUX 1 or AUX 2 receptacles. Use single-conductor shielded cable terminated in a standard single-prong phono plug. It is recommended that a separate ground wire be connected between the phono player base and the amplifier GND terminal to minimize hum pick-up. This is not required when using the Bogen model LPC-4 phono player top.

WMT-1 ACCESSORY

To connect the input from a 500/600-ohm line, mount the WMT-1 transformer on the WMT-1 mounting holes on the rear chassis. Connect the 500/600-ohm input to the three-screw terminal board on the accessory. Connect the phono plug on the WMT-1 to the AUX 1 or AUX 2 input of the amplifier. If another sound source has been plugged into the AUX input, the WMT-1 may be connected to the MIC input of the amplifier. However the WMT-1 wiring must first be modified, as described in the instruction sheet furnished with the accessory.

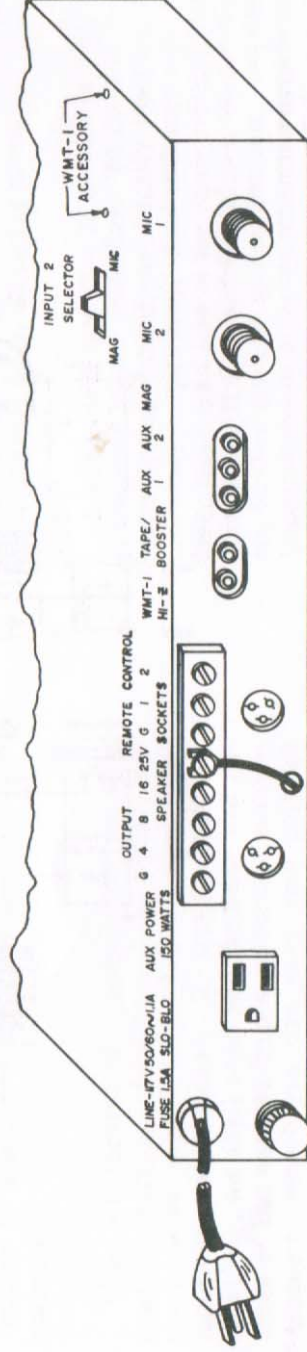


Figure 1 - Rear view of amplifier.

AUXILIARY

The AUX inputs may be used for sources other than a phonograph. Any signal source having a high level, high impedance output may be con-

OUTPUT CONNECTIONS

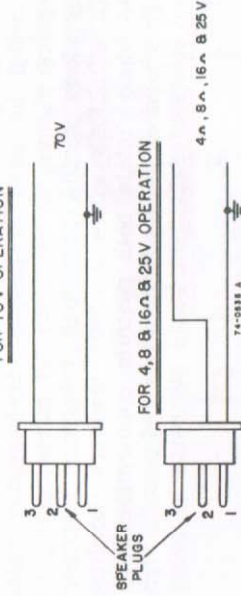


Figure 2 - Speaker Output plug wiring.

TAPE OR BOOSTER AMPLIFIER

To drive a booster amplifier or tape recorder connect a patch cord (with a standard phono plug) from the TAPE/BOOSTER output jack to the input of the booster amplifier or tape recorder.

WMT-1 TRANSFORMER

To feed a 500/600 ohm line connect the WMT-1 phono plug to the WMT-1 HI Z output jack of the amplifier. Connect the 500/600 line to the terminals on the WMT-1. Holes are provided on the chassis for mounting the WMT-1.

SPEAKERS

The amplifier may be used in conjunction with speaker systems rated at 4, 8 and 16 ohms and 25 and 70 volt constant voltage speaker systems. For detailed information on installation of multiple speaker systems refer to the Speaker Installation Bulletin (No. 54-5001-02) included with this unit.

In permanent installations, where speakers will remain connected to the amplifier permanently, connect the speaker system directly to the Speaker Output terminals. Connect one lead to the GND terminal and the other to the terminal corresponding to the speaker system's impedance. In systems that are moved continually, use the Speaker Sockets. Speaker plugs are enclosed for making connections to Speaker Sockets. If Speaker Sockets are used, secure the Speaker Impedance Selector lead to the appropriate speaker impedance

MICROPHONE 1

This control adjusts the volume level of the microphone 1 input. Rotate the control clockwise (to higher numbers) to increase volume. Set the control to the minimum position (0) when the microphone input is not used.

INPUT 2

This control adjusts the volume level of either the microphone 2 or mag phono input, depending on the input selected with the INPUT 2 SELECTOR switch on the chassis top rear. Rotate the control clockwise (to higher numbers) to increase volume. Set the control to the minimum position (0) when the microphone input is not used.

AUXILIARY

This control serves a two-fold purpose. It

nects to these inputs. This includes virtually all tuners and tape recorders having preamplifiers. An input signal level of approximately 0.30 volts is required to obtain full output from the amplifier.

terminal. In systems where 70-volt output is used this is not necessary.

Wire to the plug as follows: For 70-volt operation - connect leads to pins 1 and 3. For standard impedance and 25 volt systems - connect leads to pins 1 and 2. Refer to figure 2.

In some cases, it may be desirable to use both the speaker output terminals strip and the speaker socket for speaker connections. The speaker system connected to the speaker socket need not have the same impedance as the speaker system connected to the terminals. However, correct impedance matching between the amplifier output and all speaker systems is essential to obtain maximum power.

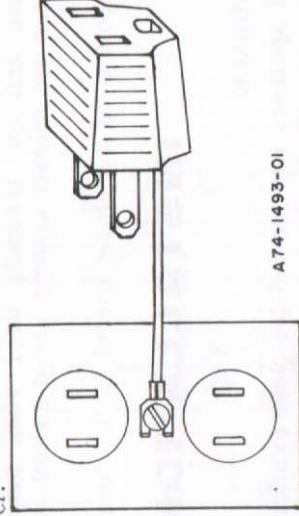


Figure 3 - Grounding Line Cord Adapter.

AUXILIARY POWER

The auxiliary power receptacle is a three-wire grounded outlet. Hence, any associated equipment connected to it with a three-prong line cord will be grounded, providing the amplifier line cord has been properly grounded. Both the amplifier power switch and the phono on-off switch must be used in turning off a record player connected to the auxiliary receptacle. Flats may develop on the idler wheel of the phonograph if only the amplifier power switch is used to stop the record player.

CONTROL FUNCTIONS

selects either of the two auxiliary inputs and it controls the volume of the selected auxiliary input. Operate the controls as follows: To select the Aux 1 input, rotate the control counterclockwise past the center position; rotating the control more counterclockwise increases the Aux 1 volume. To select the Aux 2 input, rotate the control clockwise past the center position; rotate the control more clockwise to increase the Aux 2 volume. If the auxiliary input is not to be used, set the control to the mid position (off).

The control can be also used as a "fader" control when both auxiliary inputs are used. Hence, it is possible to gradually and smoothly reduce the level of one input and then increase the other when changing inputs. The effect is one of fading from one to the other.

MASTER

After first adjusting the MIC and AUX input volume controls to mix the inputs as desired, use this control to control the overall volume of the output signal.

RESET MARKER

Each volume control has a red reset marker on the skirt of the knob. This marker is used to log a particular setting.

Make a "dry-run" or rehearsal to adjust volume controls to desired levels. Slide reset markers to coincide with midpoint mark on front panel. Knobs can now be set to zero or any other point allowing instant resetting to indicated settings.

BASS & TREBLE

These controls are used to adjust the tonal balance of the amplifier output. The center positions of the controls provide full frequency response and are generally used when program sources and speaker systems are of highest quality.

Rotation of the proper control in the counter-

clockwise direction reduces (cuts) treble or bass response of the amplifier. Clockwise rotation of controls increases (boosts) treble or bass response.

The Treble control will remove high-frequency noise and record scratch, and compensate for speakers having poor low frequency response, such as paging or outdoor speakers. The Bass control should be used to remove low-frequency noise (phono rumble or hum) and for compensating for speakers having poor high frequency response. In situations where acoustic feedback (howling) is likely, rotate both controls counterclockwise. This reduces the feedback effect and permits higher volume levels than would otherwise be possible.

POWER

This slide type switch turns the amplifier on and off.

INPUT 2 SELECTOR

This control is located on top of the chassis close to the rear edge (refer to figure 1). It is used to select either Mic 2 or Mag Phono for the input 2 signal source.

INSTALLATION & OPERATING HINTS

FEEDBACK

If speakers are located too close to microphone, acoustic feedback (squealing or howling) may result. In this case, adjust the Volume and/or Treble and Bass controls to the point where feedback is eliminated. In addition, move the speakers to increase the distance between the speakers and microphone.

We are interested in your Bogen unit for as long as you have it. If trouble ever develops with your unit, please do not hesitate to ask our advice or assistance. Information can be obtained by writing to Service Department, Bogen Division, P. O. Box 500, Paramus, N. J. 07652.

When communicating with us, give the model number and series letter of your unit. Completely describe the difficulty encountered. Describe the effects each operating control has upon the symptoms of trouble. Include details on electrical connections to associated equipment and list such equipment.

When we receive this information we will send you service information if the trouble appears to be simple (e.g., bad vacuum tube, incorrect connections). If trouble requires servicing, we shall send you the name and address of the nearest Bogen authorized service agency to which you can send your unit for repair.

HUM

Hum type interference can occur if the connections between the signal sources and amplifier are incorrect or defective. Recheck all connections (check for continuity) in cases where hum occurs. Try reversing the amplifier power plug, and those of other units used in system. Check for broken wires, shields and poor connector contacts.

SERVICE

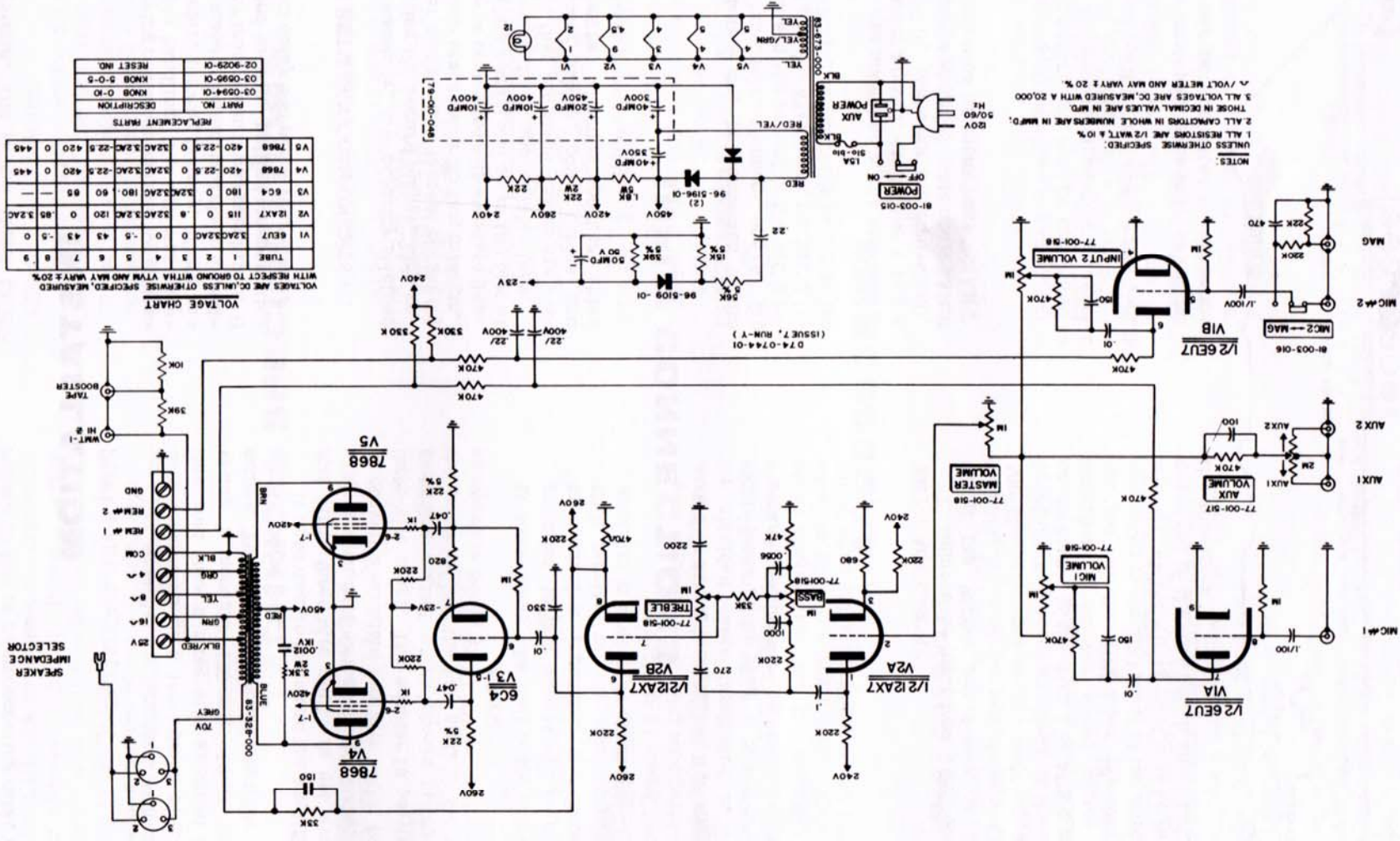
When shipping your unit, pack instrument well using the original shipping carton and filler material to prevent damage in transit. Send unit, fully insured and prepaid, via railway express. Do not ship via parcel post unless so instructed. The unit will be promptly repaired and returned to you via express prepaid.

TUBE REPLACEMENT

Tubes should be tested at least once every six months to insure optimum high-fidelity performance. To avoid possibility of shock, do not remove chassis when replacing tubes.

FUSE

A slow-blow type fuse is located in a holder at the rear of the amplifier. To replace fuse, press spring loaded cap slightly inward, rotate counterclockwise, and withdraw cap and fuse. Use only a fuse of the same rating for replacement. If a second fuse blows, do not make any further attempt to operate unit. Consult a Bogen representative or other competent technician for inspection of unit.



NOTES:
1 ALL CAPACITORS ARE 1/2 WATT & 10% UNLESS OTHERWISE SPECIFIED.
2 ALL RESISTORS ARE 1/2 WATT & 10% UNLESS OTHERWISE SPECIFIED.
3 ALL VOLTAGES ARE DC, MEASURED WITH A 20,000 Ω/VOLT METER AND MAY VARY ± 20%.

VOLTAGE CHART
VOLTAGES ARE DC, UNLESS OTHERWISE SPECIFIED, MEASURED WITH RESPECT TO GROUND WITH ATMA AND MAY VARY ± 20%.

TUBE	1	2	3	4	5	6	7	8	9
V1 6EUT	3.2K	3.2K	0	0	0	0	0	0	0
V2 12AX7	115	0	0	0	0	0	0	0	0
V3 6C4	180	0	0	0	0	0	0	0	0
V4 7868	420	22	0	0	0	0	0	0	0
V5 7868	420	22	0	0	0	0	0	0	0

REPLACEMENT PARTS

PART NO.	DESCRIPTION	REPLACEMENT PARTS
03-0594-01	KNOB 0-10	
03-0595-01	KNOB 5-0-5	
02-9029-01	RESET NO.	

Figure 4 - Schematic Diagram

SPEAKER IMPEDANCE SELECTION

77-001-517

77-001-518

77-001-519

77-001-520

77-001-521

77-001-522

77-001-523

77-001-524

77-001-525

77-001-526

77-001-527

77-001-528

77-001-529

77-001-530

77-001-531

77-001-532

77-001-533

77-001-534

77-001-535

77-001-536

77-001-537

77-001-538

77-001-539

77-001-540

77-001-541

77-001-542

77-001-543

77-001-544

77-001-545

77-001-546

77-001-547

77-001-548

77-001-549

77-001-550

77-001-551

77-001-552

77-001-553

77-001-554

77-001-555

77-001-556

77-001-557

77-001-558

77-001-559

77-001-560

77-001-561

77-001-562

77-001-563

77-001-564

77-001-565

77-001-566

77-001-567

77-001-568

77-001-569

77-001-570

77-001-571

77-001-572

77-001-573

77-001-574

77-001-575

77-001-576

77-001-577

77-001-578

77-001-579

77-001-580

77-001-581

77-001-582

77-001-583

77-001-584

77-001-585

77-001-586

77-001-587

77-001-588

77-001-589

77-001-590

77-001-591

77-001-592

77-001-593

77-001-594

77-001-595

77-001-596

77-001-597

77-001-598

77-001-599

77-001-600

77-001-601

77-001-602

77-001-603

77-001-604

77-001-605

77-001-606

77-001-607

77-001-608

77-001-609

77-001-610

77-001-611

77-001-612

77-001-613

77-001-614

77-001-615

77-001-616

77-001-617

77-001-618

77-001-619

77-001-620

77-001-621

77-001-622

77-001-623

77-001-624

77-001-625

77-001-626

77-001-627

77-001-628

77-001-629

77-001-630

77-001-631

77-001-632

77-001-633

77-001-634