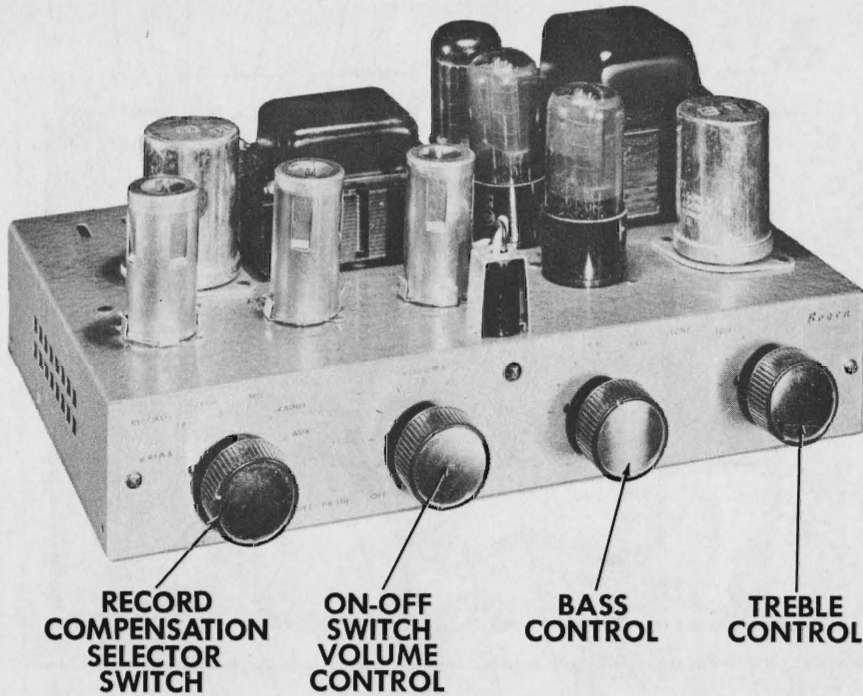




DAVID BOGEN
MODELS DB110, G



RECORD
COMPENSATION
SELECTOR
SWITCH

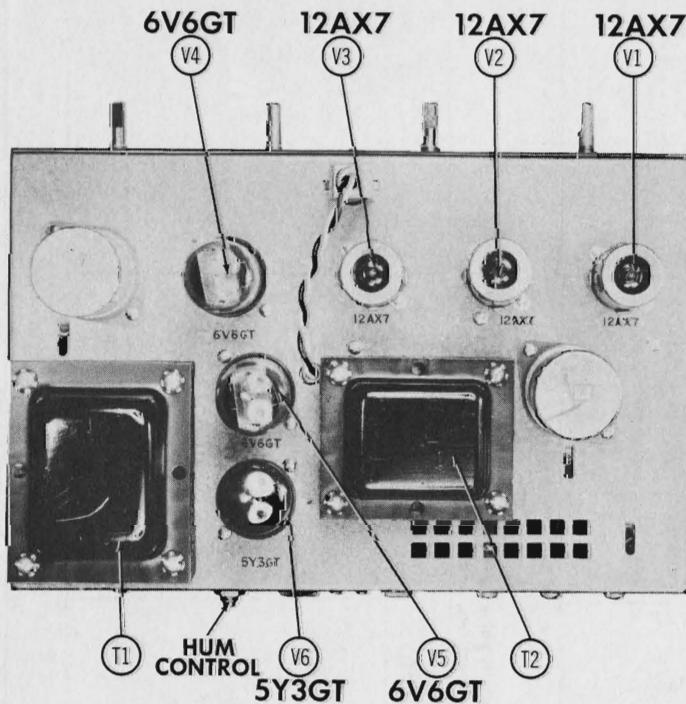
ON-OFF
SWITCH
VOLUME
CONTROL

BASS
CONTROL

TREBLE
CONTROL

DAVID BOGEN
MODELS DB110, G

TRADE NAME David Bogen Models DB110, DB110G
 MANUFACTURER David Bogen Co., Inc., 29 Ninth Ave., New York, 14, N. Y.
 TYPE SET AC Operated 5 Channel Audio Amplifier
 TUBES (Six) Types 12AX7 Preamp., 12AX7 AF Amp., 12AX7 AF Amp.-Phase Inv., (2) 6V6GT Output,
 5Y3GT Rectifier
 POWER SUPPLY 110-120 Volts AC-60 Cycles RATING .6 Amp. @ 117 Volts AC



HOWARD W. SAMS & CO., INC. • Indianapolis 5, Indiana

"The listing of any available replacement part herein does not constitute in any case a recommendation, warranty or guaranty by Howard W. Sams & Co., Inc., as to the quality and suitability of such replacement part. The numbers of these parts have been compiled from information furnished to Howard W. Sams & Co., Inc., by the manufacturers of the particular type of replacement part listed."
 *Reproduction or use, without express permission, of editorial or pictorial con-

tent, in any manner, is prohibited. No patent liability is assumed with respect to the use of the information contained herein. Copyright 1955 by Howard W. Sams & Co., Inc., Indianapolis 5, Indiana, U. S. of America. Copyright under International Copyright Union. All rights reserved under Inter-American Copyright Union (1910) by Howard W. Sams & Co., Inc. Printed in U. S. of America

PARTS LIST AND DESCRIPTIONS

TUBES (SYLVANIA, GENERAL ELECTRIC, WESTINGHOUSE)

DAVID BOGEN
Model DB110

CHASSIS—BOTTOM VIEW

ITEM No.	USE	REPLACEMENT DATA			NOTES
		David Bogen PART No.	STANDARD REPLACEMENT	RETMA BASE TYPE	
V1	Preamplifier	12AX7	12AX7	9A	
V2	AF Amplifier	12AX7	12AX7	9A	
V3	AF Amplifier-Phase Inverter	12AX7	12AX7	9A	
V4	Audio Output	6V6GT	6V6GT	7S	
V5	Audio Output	6V6GT	6V6GT	7S	
V6	Rectifier	5Y3GT	5Y3GT	5T	

ELECTROLYTIC CAPACITORS

ITEM No.	RATING		REPLACEMENT DATA				NOTES
	CAP.	VOLT.	David Bogen PART No.	MALLORY PART No.	PYRAMID PART No.	SANGAMO PART No.	
C1A	.10	450		FP396.2	TM-Q5-450	Q-030	
B	.10	450					
C2A	.5	450		WP433.6	TM-Q5-450	Q-030	
B	.5	450					
C	.5	450					
D	5	450					
C3	50	50		TC39	TD-50-50	FM-0550	

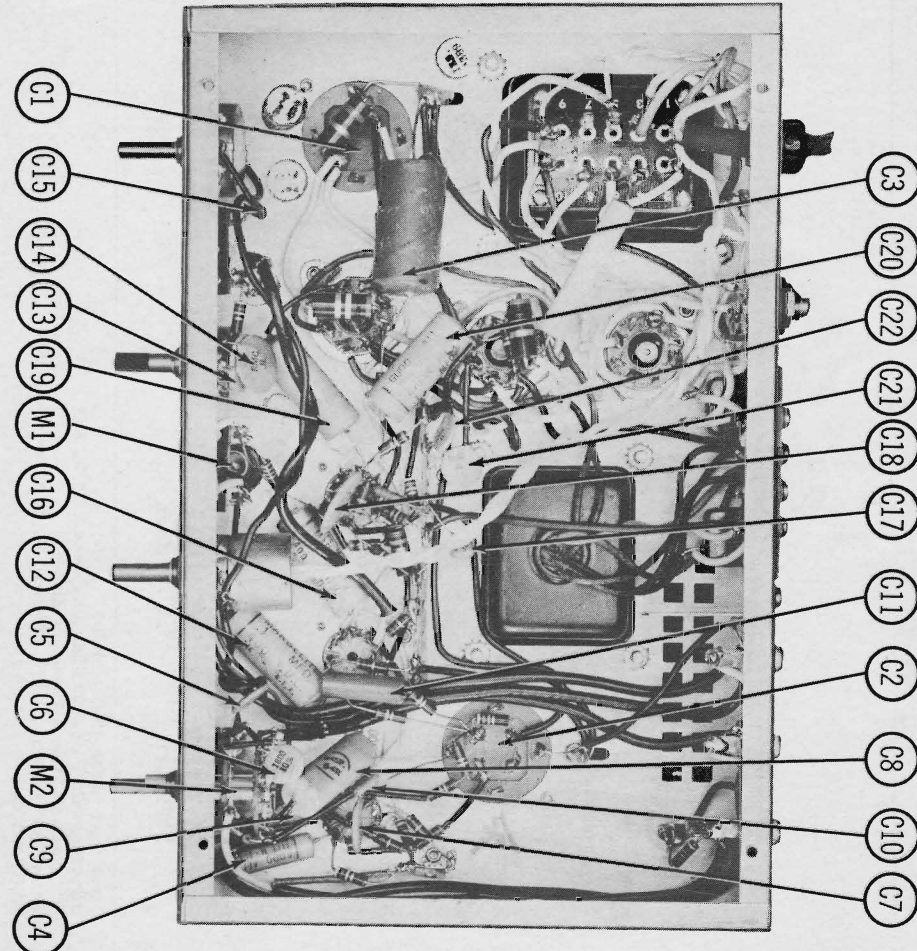
FIXED CAPACITORS

Capacity values given in the rating column are in mfd. for Paper Capacitors, and in mmfd. Mica and Ceramic Capacitors.

ITEM No.	RATING		REPLACEMENT DATA				NOTES
	CAP.	VOLT.	David Bogen PART No.	CENTRALAB PART No.	ERIE PART No.	MALLORY PART No.	
C4	.033	200		DF-303		PT4133	
C5	1000				811-102		
C6	1800						
C7	100000			DD-103	811-01	DC-511	
C8	.1	400		DF-104		PT401	
C9	.0068	400		D6-682	GP3-333-682		
C10	1000				811-102		
C11	.0068	400		D6-682	GP3-333-682		
C12	.1	400		DF-104		PT401	
C13	3300						
C14	3300						
C15	100			DD-101	801-101	ZT-531	
C16	.1	400		DF-104		PT401	
C17	270			DD-271	811-271		
C18	4700						
C19	.1	400		DF-104		PT401	
C20	.1	400		DF-104		PT401	
C21	1000				811-102		
C22	1000				811-102		

CONTROLS

ITEM No.	RATING		REPLACEMENT DATA					INSTALLATION NOTES
	RESISTANCE	WATTS	David Bogen PART No.	IRC PART No.	CLAROSTAT PART No.	CENTRALAB PART No.	MALLORY PART No.	
R1A	500K Ω	$\frac{1}{2}$	V323A	Q13-133	A47-500K-Z	B-60-S	U-48	Volume
B	Shaft		Not Req.	Not Req.	FS-3	Not Req.	Not Req.	Attach to R1A
C	Switch		Not Req.	76-1	SWE-12	Not Req.	US-26	Attach to R1A
R2A	1Meg	$\frac{1}{2}$	V315C	Q11-137	A47-1Meg-S	B-69	U-54	Bass
B	Shaft		Not Req.	Not Req.	FS-3	Not Req.	Not Req.	Attach to R2A
R3A	500K Ω	$\frac{1}{2}$	V318C	Q19-133X	A47F5-500K	BT-65	UT-431	Treble tapped @250K Ω
B	Shaft		Not Req.	Not Req.	FS-3	Not Req.	Not Req.	Attach to R3A
R4A	50 Ω	$\frac{1}{2}$	V113	W-50	A43-50	VK-116	C50P	Hum Balance
B	Shaft		Not Req.	Not Req.	FKS-1/4	Not Req.	Not Req.	Attach to R4A



PARTS LIST AND DESCRIPTIONS (Continued)

RESISTORS

ITEM No.	RATING		REPLACEMENT DATA		NOTES	ITEM No.	RATING		REPLACEMENT DATA		NOTES
	OHMS	WATT	David Bogen PART No.	IRC PART No.			David Bogen PART No.	IRC PART No.			
R5	47K Ω			BTS-47K		R24	47K Ω			BTS-47K	
R6	100K Ω			BTS-100K		R25	39K Ω			BTS-39K	
R7	470K Ω			BTS-470K		R26	3.3Meg			BTS-3.3Meg	
R8	68K Ω			BTS-68K		R27	33K Ω			BTS-33K	
R9	1500 Ω			BTS-1500		R28	470K Ω			BTS-470K	
R10	1Meg			BTS-1Meg		R29	2700 Ω 5%			BTS-2700 5%	
R11	100K Ω			BTS-100K		R30	1Meg			BTS-1Meg	
R12	3300 Ω			BTS-3300		R31	100K Ω 5%			BTS-100K 5%	
R13	47K Ω			BTS-47K		R32	100K Ω 5%			BTS-100K 5%	
R14	47K Ω			BTS-47K		R33	200K Ω 5%			BTS-200K 5%	
R15	100K Ω			BTS-100K		R34	200K Ω 5%			BTS-200K 5%	
R16	100K Ω			BTS-100K		R35	12K Ω 5%			BTS-12K 5%	
R17	1800 Ω			BTS-1800		R36	300 Ω	2 7		PW7-300	
R18	100K Ω			BTS-100K		R37	100K Ω	2		BTB-100K	
R19	2200 Ω			BTS-2200		R38	100K Ω	2		BTB-100K	
R20	68K Ω			BTS-68K		R39	2.7 Ω	1		BTA-2.7	
R21	470K Ω			BTS-470K		R40	22K Ω			BTS-22K	
R22	68K Ω			BTS-68K		R41	5600 Ω	2		BTB-5600	
R23	68K Ω			BTS-68K	Note 1						

Note 1. Not used in some versions.

TRANSFORMER (POWER)

ITEM No.	RATING				REPLACEMENT DATA					
	PRI.	SEC. 1	SEC. 2	SEC. 3	David Bogen PART No.	Halldorson PART No.	Merit PART No.	Stancor PART No.	Thordarson PART No.	Triad PART No.
T1	117VAC @ .6A	700VCT .078ADC	5VAC @ 2A	6.3V 1.8A	T362-3	P9311 ①	P-2952 ①	PM8409 ①	24R04 ①	R-11B ①

① Tape 6.3V center tap.

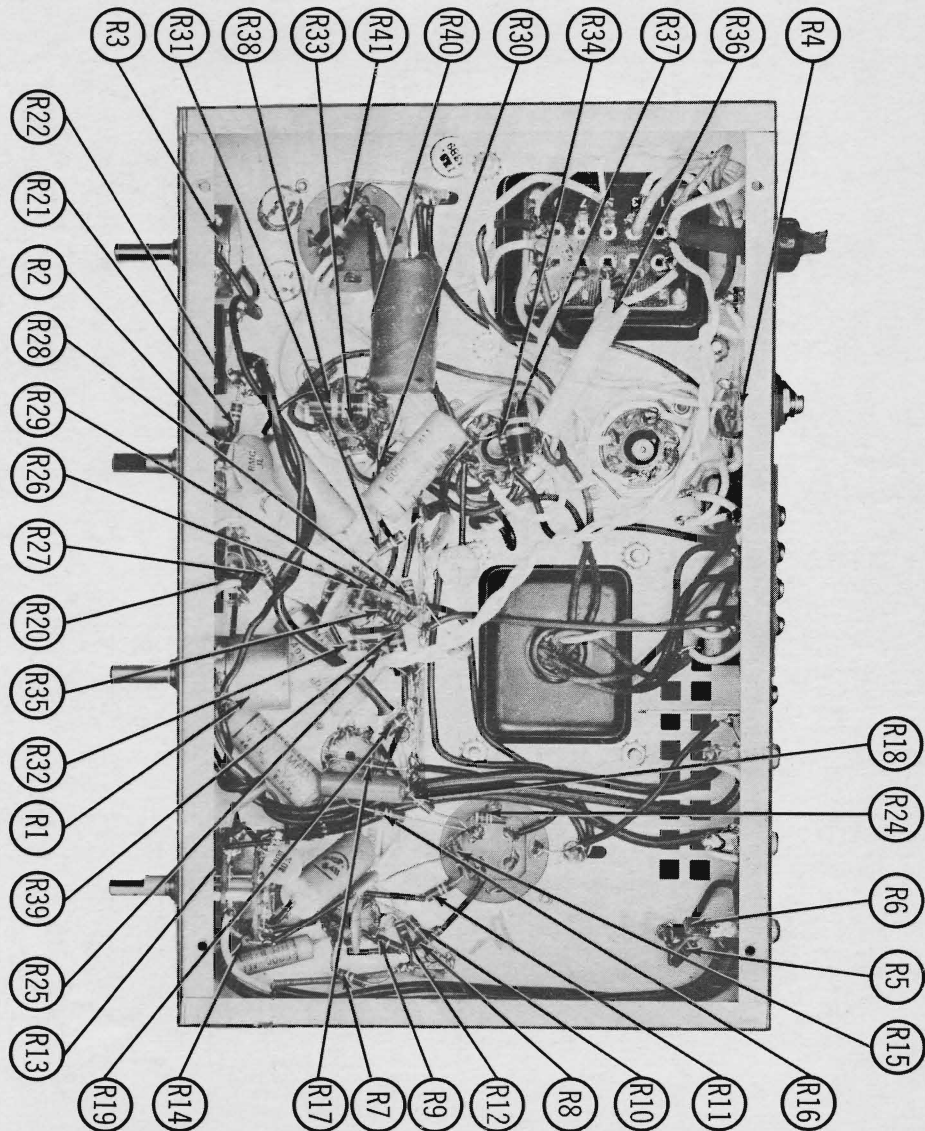
TRANSFORMER (AUDIO OUTPUT)

ITEM No.	IMPEDANCE		REPLACEMENT DATA					NOTES	
	PRI.	SEC.	David Bogen PART No.	Halldorson PART No.	Merit PART No.	Stancor PART No.	Thordarson PART No.		Triad PART No.
T2	11K Ω CT	16 Ω tap @ 8 Ω , 4 Ω	T2106-1				22S93 ①		① Fabricate mounting.

MISCELLANEOUS

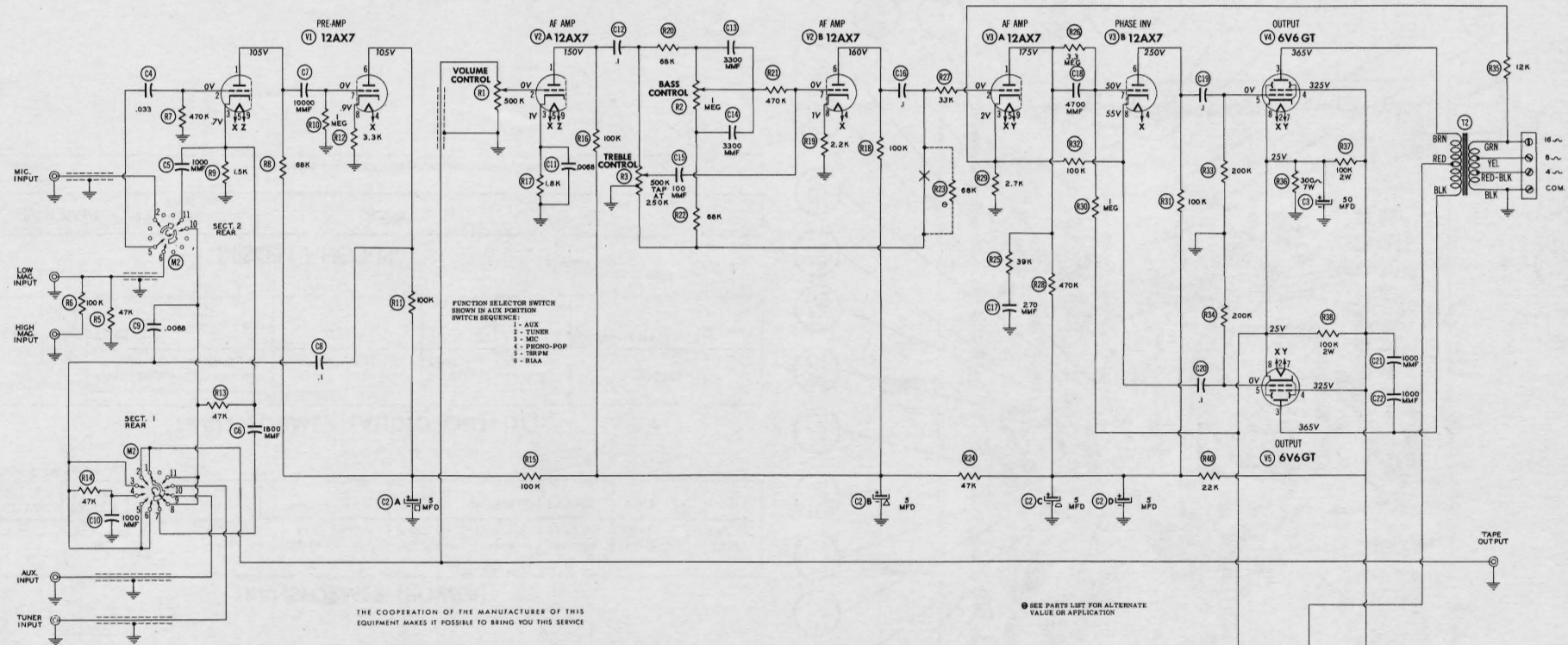
ITEM No.	PART NAME	David Bogen PART No.	NOTES
M1	Pilot Light		#47
M2	Switch		Selector & record compensation (rotary-wafer type)

CHASSIS—BOTTOM VIEW



DAVID BOGEN
Model D810

DAVID BOGEN
Model D810



THE COOPERATION OF THE MANUFACTURER OF THIS EQUIPMENT MAKES IT POSSIBLE TO BRING YOU THIS SERVICE

SEE PARTS LIST FOR ALTERNATE VALUE OR APPLICATION

RESISTANCE READINGS

Item	Tube	Pin 1	Pin 2	Pin 3	Pin 4	Pin 5	Pin 6	Pin 7	Pin 8	Pin 9
V 1	12AX7	†237KΩ	470KΩ	1.5KΩ	325Ω	325Ω	†269KΩ	1Meg	3.3KΩ	325Ω
V 2	12AX7	†169KΩ	15Ω	1.8KΩ	325Ω	325Ω	†169KΩ	788KΩ	2.2KΩ	325Ω
V 3	12AX7	†492KΩ	300KΩ	2.7KΩ	325Ω	325Ω	†122KΩ	†800KΩ	102KΩ	325Ω
V 4	6V6GT	TP	325Ω	†350Ω	200KΩ	200KΩ	TP	325Ω	300Ω	
V 5	6V6GT	TP	325Ω	†350Ω	†5.6KΩ	200KΩ	TP	325Ω	300Ω	
V 6	5Y3GT	NC	50KΩ	NC	150Ω	NC	150Ω	NC	50KΩ	

† MEASURED FROM PIN 8 OF V6.
 ‡ 6.3VAC MEASURED ACROSS FILAMENT
 TP - TIE POINT
 NC - NO CONNECTION

- DC voltage measurements taken with vacuum tube voltmeter; AC voltages measured at 1000 ohms per volt.
- Socket connections are shown as bottom views.
- Measured values are from socket pin to common negative.
- Line voltage maintained at 117 volts for voltage readings.
- Nominal tolerance on component values makes possible a variation of ± 1% in voltage and resistance readings.
- All controls at minimum, proper output load connected.

