



SERIES N107

DAVID BOGEN CO., INC.
PARAMUS N.Y.
MADE IN U.S.A.



ADJ. FOR MIN. NUM

SPKR DAMPING FACTOR
LEVEL



AUX 1 ADJ

56 A
117 VAC 2 AMP TOTAL
VAC 60~100W

PHONO

MDX

OUTPUT

U CUM B A

DF OFF ON

MODEL DB130

SERIAL NO.

TAPE

MON OUT AUX 2

Bogen



EQUALIZER

CONTOUR-VOLUME

SELECTOR

BASS-TREBLE

POWER

RES
RIAA
COU-10

-20
-10
-5
0

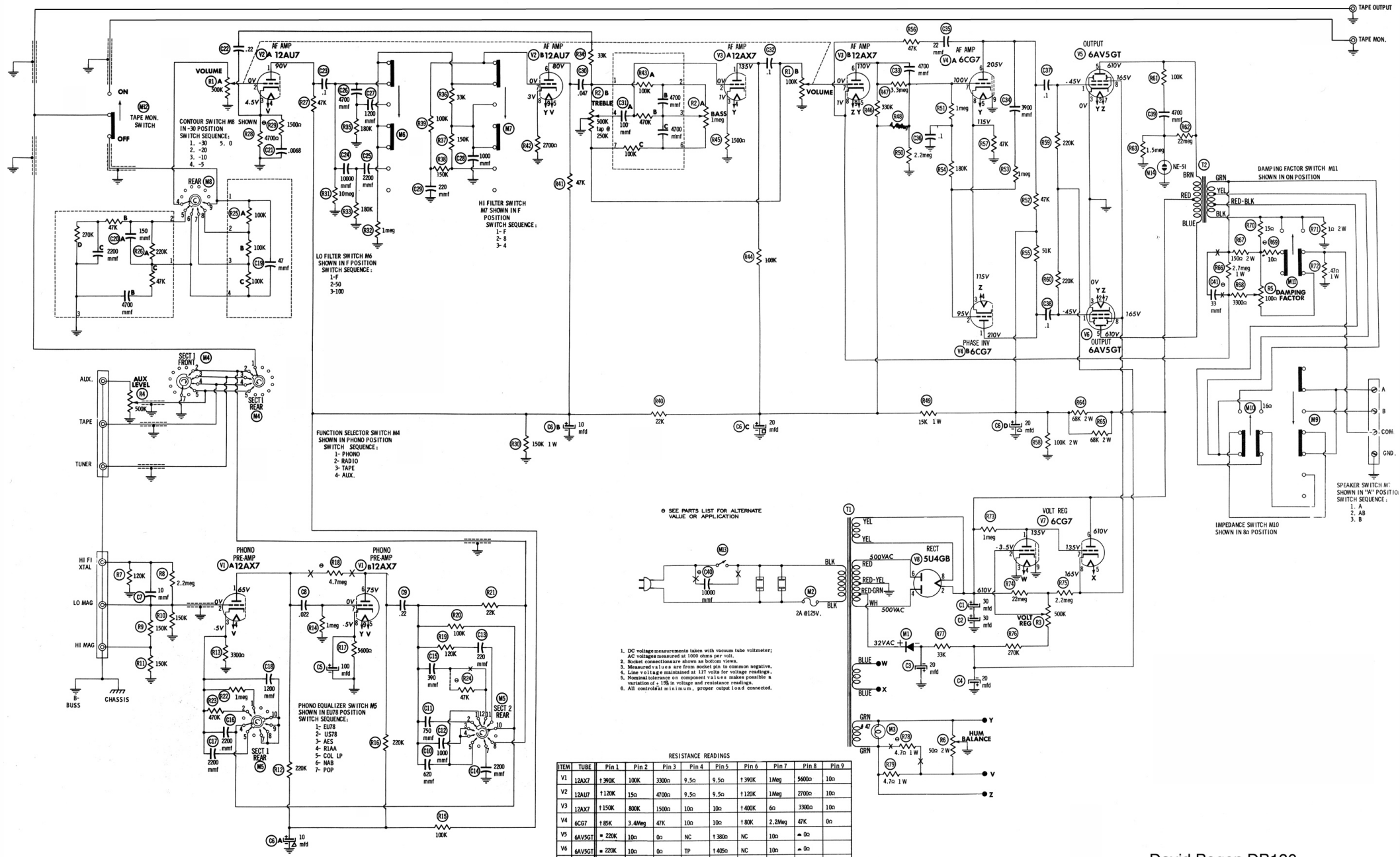
PHONO
TAPES
RADIO
AUX 1
AUX 2

FLAT
MIN
MAX

OFF
ON



MODEL DB130



FUNCTION SELECTOR SWITCH M
SHOWN IN PHONO POSITION
SWITCH SEQUENCE:
1- PHONO
2- RADIO
3- TAPE
4- AUX.

LO FILTER SWITCH M6
SHOWN IN F POSITION
SWITCH SEQUENCE:
1-F
2-50
3-100

HI FILTER SWITCH M7
SHOWN IN F POSITION
SWITCH SEQUENCE:
1-F
2-B
3-4

PHONO EQUALIZER SWITCH M5
SHOWN IN EU78 POSITION
SWITCH SEQUENCE:
1- EU78
2- UST8
3- AES
4- RIAA
5- COL LP
6- MAB
7- POP

DAMPING FACTOR SWITCH M11
SHOWN IN ON POSITION

SPEAKER SWITCH M10
SHOWN IN "A" POSITION
SWITCH SEQUENCE:
1. A
2. AB
3. B

SEE PARTS LIST FOR ALTERNATE
VALUE OR APPLICATION

- DC voltage measurements taken with vacuum tube voltmeter; AC voltage measured at 1000 ohms per volt.
- Socket connections shown as bottom views.
- Measured values are from model kits to common negative.
- Line voltage maintained at 117 volts for voltage readings.
- Nominal tolerance on component values makes possible a variation of ±1% in voltage and resistance readings.
- All control minimum, proper output load connected.

RESISTANCE READINGS

ITEM	TUBE	Pin 1	Pin 2	Pin 3	Pin 4	Pin 5	Pin 6	Pin 7	Pin 8	Pin 9
V1	12AX7	†390K	100K	3300Ω	9.5Ω	9.5Ω	†390K	1Meg	5600Ω	10Ω
V2	12AU7	†120K	15Ω	4700Ω	9.5Ω	9.5Ω	†120K	1Meg	2700Ω	10Ω
V3	12AX7	†150K	800K	1500Ω	10Ω	10Ω	†400K	6Ω	3300Ω	10Ω
V4	6CG7	†85K	3.4Meg	47K	10Ω	10Ω	†80K	2.2Meg	47K	0Ω
V5	6AV5GT	†220K	10Ω	0Ω	NC	†380Ω	NC	10Ω	∞Ω	∞Ω
V6	6AV5GT	†220K	10Ω	0Ω	TP	†405Ω	NC	10Ω	∞Ω	∞Ω
V7	6CG7	†1.1Meg	1.2Meg	0Ω	1N	1N	10Ω	†1.1Meg	3Meg	0Ω
V8	5U4GB	NC	15K	NC	140Ω	NC	130Ω	NC	15K	NC

† MEASURED FROM PIN 2 OF V8. NC NO CONNECTION.
 ∞ MEASURED FROM JUNCTION OF R76 & R77. TP TIE POINT.
 ∞ MEASURED FROM PIN 8 OF V7.