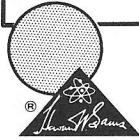
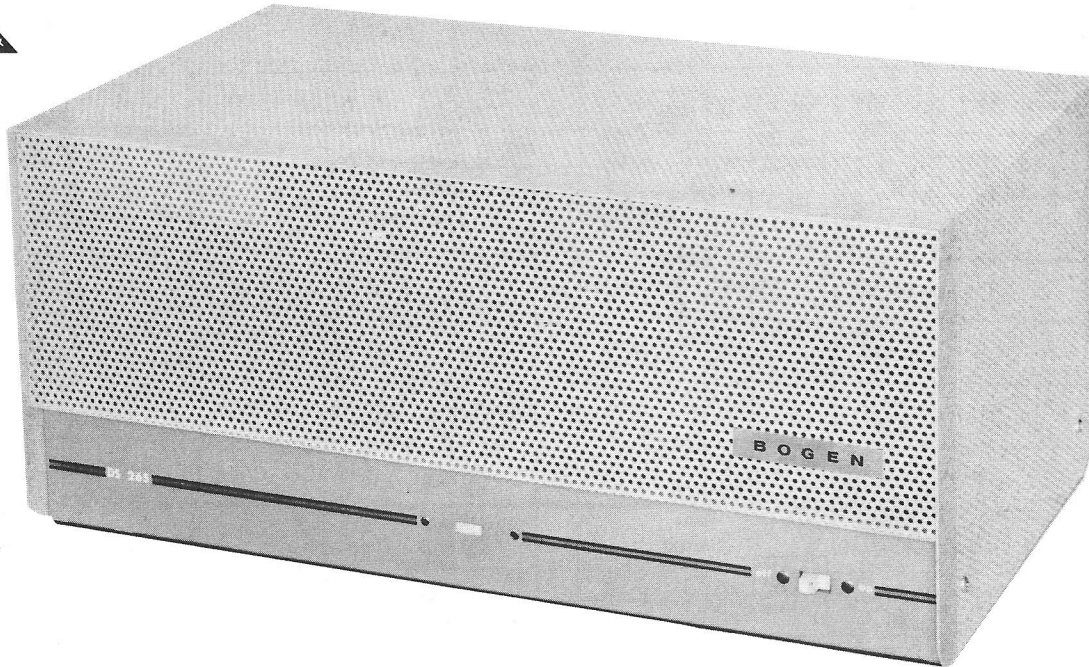


PHOTOFACT® Folder



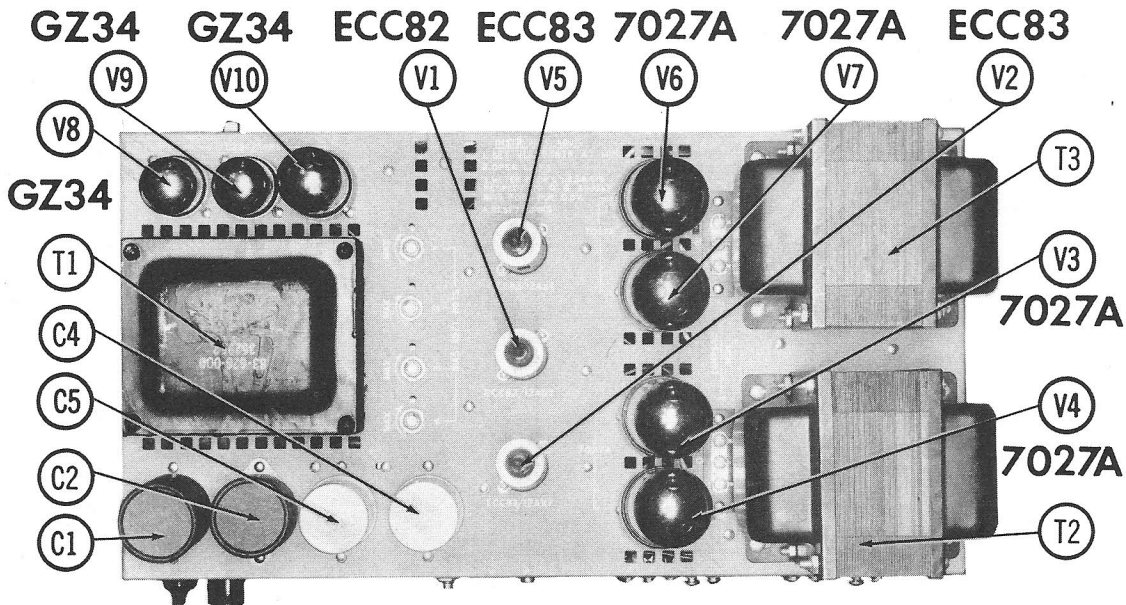
BOGEN  
MODEL DS265

BOGEN  
MODEL DS265



BOGEN  
MODEL DS265

TRADE NAME	Bogen Model DS265
MANUFACTURER	Bogen-Presto Co., A Div. of the Siegler Corp., P. O. Box 500, Paramus, N. J.
TYPE SET	AC Operated 10 Tube Stereo Amplifier
POWER SUPPLY	110 - 120 Volts AC, 60 Cycles
RATING	175 Watts, 1.7 Amp. @117 Volts AC

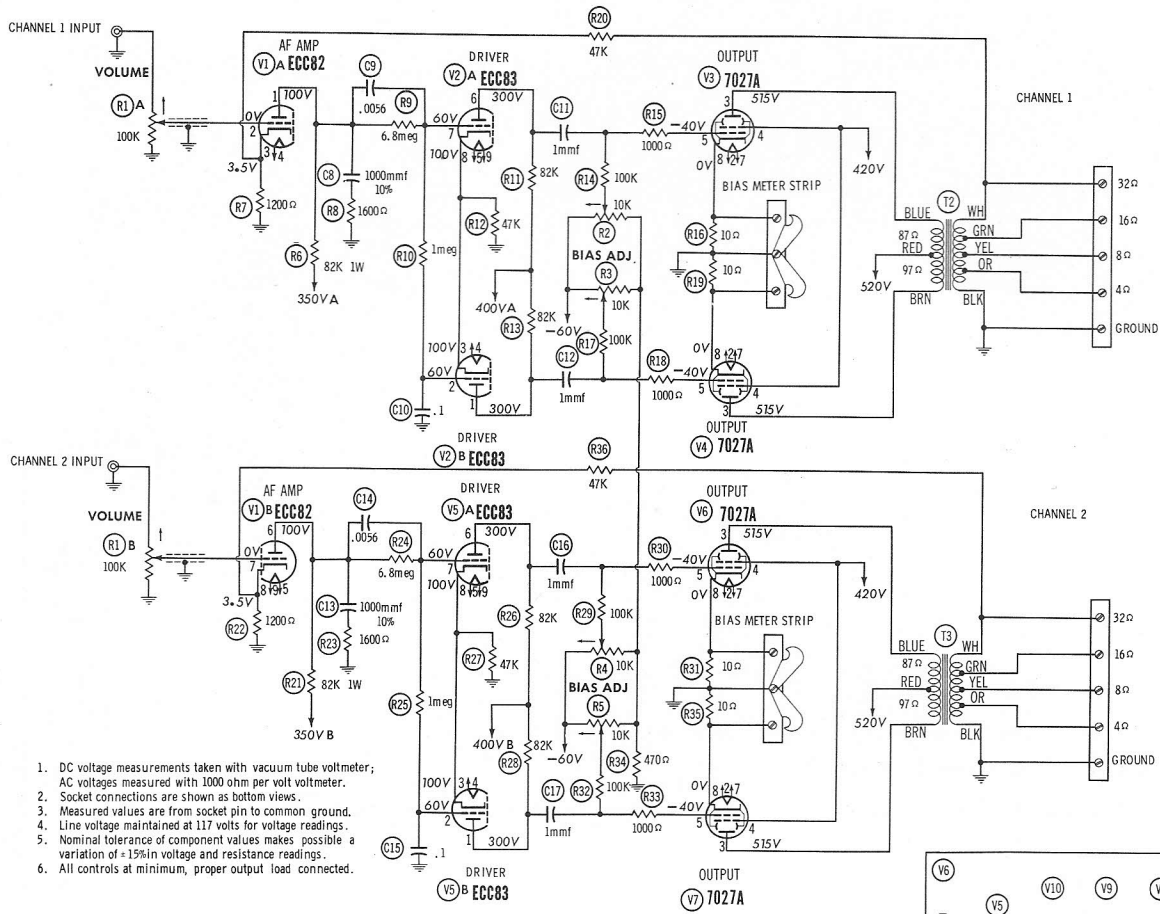


HOWARD W. SAMS & CO., INC. Indianapolis 6, Indiana

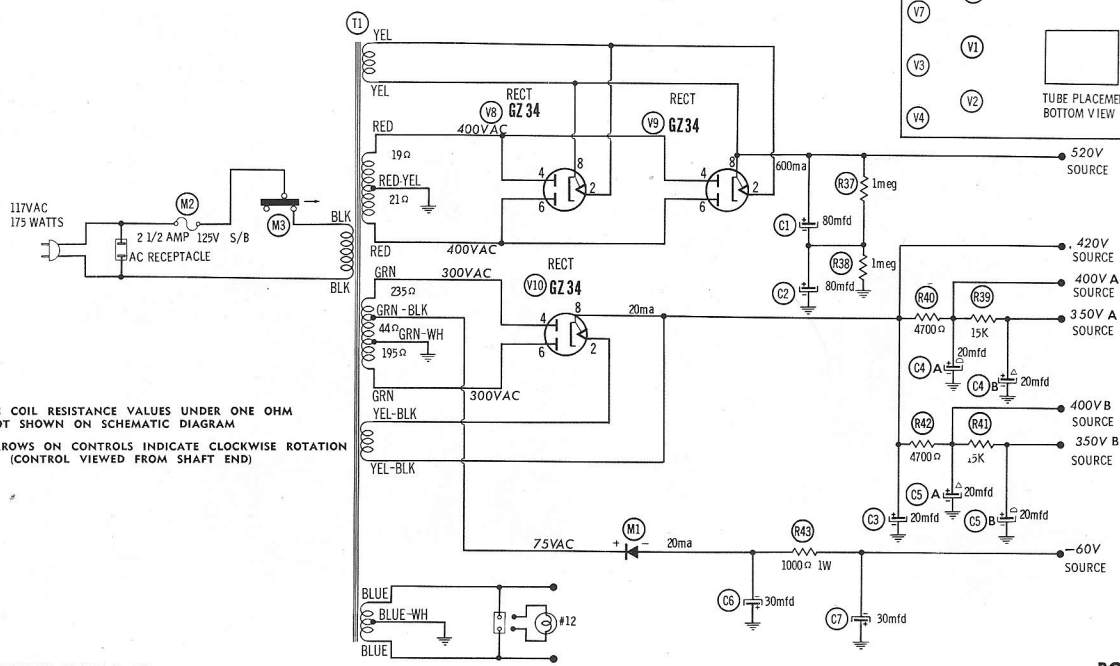


The listing of any available replacement part herein does not constitute in any case a recommendation, warranty or guaranty by Howard W. Sams & Co., Inc., as to the quality and suitability of such replacement part. The numbers of these parts have been compiled from information furnished to Howard W. Sams & Co., Inc., by the manufacturers of KV352

the particular type of replacement part listed. Reproduction or use, without express permission, of editorial or pictorial content, in any manner, is prohibited. No patent liability is assumed with respect to the use of the information contained herein. © 1961 Howard W. Sams & Co., Inc., Indianapolis 6, Indiana. Printed in U.S. of America



1. DC voltage measurements taken with vacuum tube voltmeter; AC voltages measured with 1000 ohm per volt voltmeter.
2. Socket connections are shown as bottom views.
3. Measured values are from socket pin to common ground.
4. Line voltage maintained at 117 volts for voltage readings.
5. Nominal tolerance of component values makes possible a variation of ±15% in voltage and resistance readings.
6. All controls at minimum, proper output load connected.



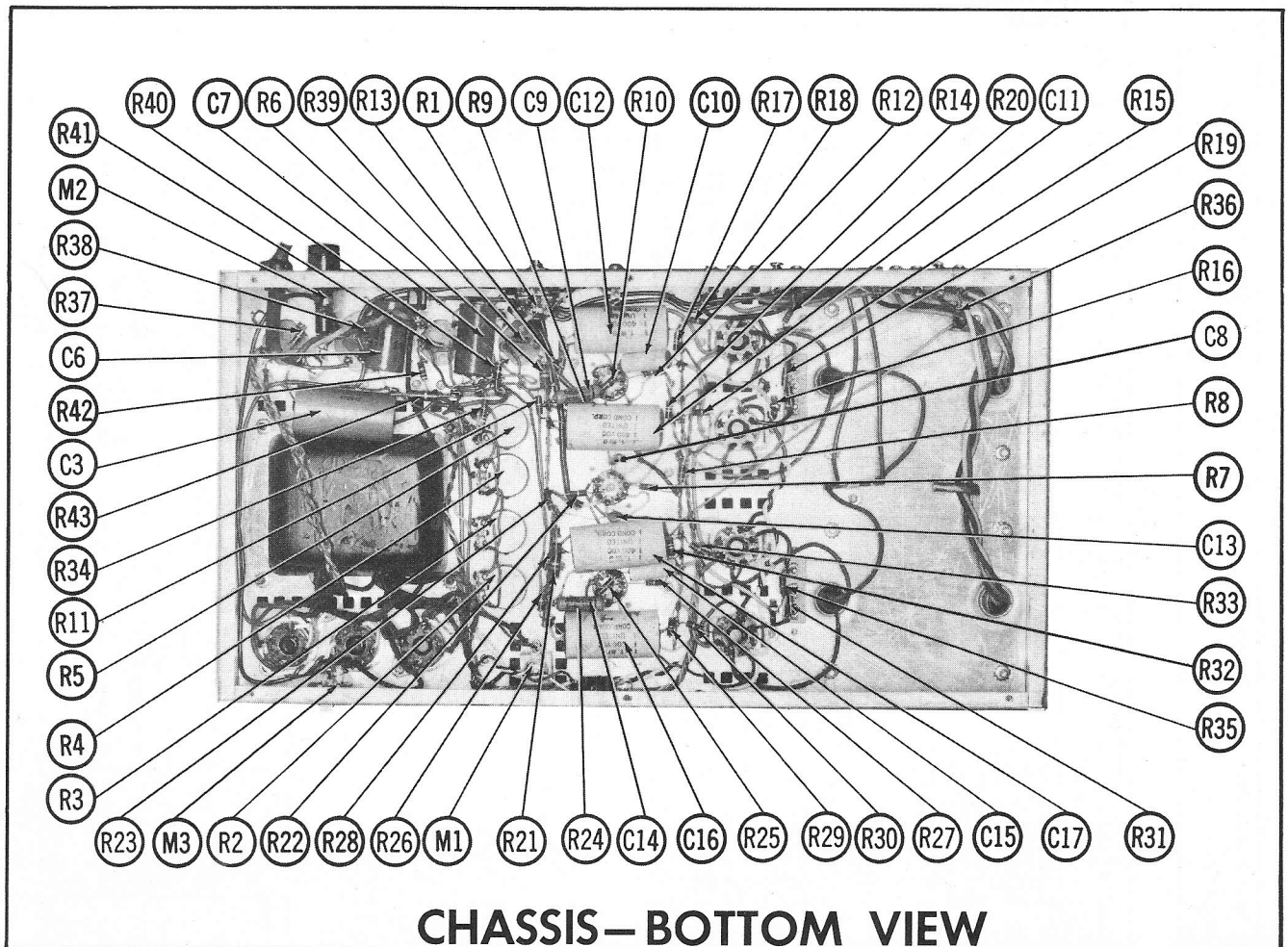
DC COIL RESISTANCE VALUES UNDER ONE OHM NOT SHOWN ON SCHEMATIC DIAGRAM  
 ARROWS ON CONTROLS INDICATE CLOCKWISE ROTATION (CONTROL VIEWED FROM SHAFT END)

# RESISTANCE MEASUREMENTS

ITEM	TUBE	Pin 1	Pin 2	Pin 3	Pin 4	Pin 5	Pin 6	Pin 7	Pin 8	Pin 9
V1	ECC82 12AU7	† 102K	0Ω	1200Ω	.1Ω	.1Ω	† 102K	0Ω	1200Ω	.1Ω
V2	ECC83 12AX7	† 87K	† 7.9meg	47K	.1Ω	.1Ω	† 87K	† 6.9meg	47K	.1Ω
V3	7027A	NC	.1Ω	† 87Ω	† 0Ω	100K	NC	.1Ω	0Ω	
V4	7027A	NC	.1Ω	† 97Ω	† 0Ω	100K	NC	.1Ω	0Ω	
V5	ECC83 12AX7	† 87K	† 7.9meg	47K	.1Ω	.1Ω	† 87K	† 6.9meg	47K	.1Ω
V6	7027A	NC	.1Ω	† 87Ω	† 0Ω	100K	NC	.1Ω	0Ω	
V7	7027A	NC	.1Ω	† 97Ω	† 0Ω	100K	NC	.1Ω	0Ω	
V8	GZ34 5AR4	NC	¶	NC	19Ω	NC	21Ω	NC	¶	
V9	GZ34 5AR4	NC	¶	NC	19Ω	NC	21Ω	NC	¶	
V10	GZ34 5AR4	NC	¶	NC	279Ω	NC	195Ω	NC	¶	

¶ THIS READING WILL VARY DEPENDING UPON THE CONDITION OF THE ELECTROLYTIC IN THE CIRCUIT.  
 † MEASURED FROM PIN 8 OF V9 OR V8.  
 ‡ MEASURED FROM PIN 8 OF V10.

NC NO CONNECTION



**BOGEN  
MODEL DS265**

**FOLDER 6**

# PARTS LIST AND DESCRIPTIONS

## WIRING DATA

General-use Unshielded Hook-up Wire ..... Use BELDEN No. 8530 (Solid) Available in Ten Colors  
 Power Cord ..... Use BELDEN No. 8524 (Stranded) Available in Ten Colors  
 1725-K (6 Ft. Length)  
 1725-B (6 Ft. Length)  
 1725-K (7½ Ft. Length)

## TUBES

ITEM No.	GENERAL ELECTRIC		RAYTHEON		SYLVANIA	
	USE	TYPE	USE	TYPE	USE	TYPE
V1	Channel 1 AF Amp.	ECC82/12AU7	Channel 2 Output	7027A		
V2	Channel 2 AF Amp.	ECC83/12AX7	Channel 2 Output	7027A		
V3	Channel 1 Phase Inv.		Rectifier	GZ34/5AR4		
V4	Channel 1 Output	7027A	Rectifier	GZ34/5AR4		
V5	Channel 2 AF Amp.	7027A	Rectifier	GZ34/5AR4		
	Channel 2 Phase Inv.	ECC83/12AX7				

## ELECTROLYTIC CAPACITORS

ITEM No.	RATING		REPLACEMENT DATA				NOTES
	CAP.	VOIT.	AEROVOX PART No.	CORNELL-DUBILIER PART No.	MALLOY PART No.	SPRAGUE PART No.	
C1	80	300	AFH1-42	XA0401	FPI38	TMS-1650	TVL-1630
C2	80	300	AFH1-42	XA0401	FPI38	TMS-1650	TVL-1630
C3	20	500	PF81830	BR2050	TC83	TD-20-500	TVA-1906
C4	20	450	AFH2-69	B0500	FP282.5	TMD-2760	TVL-2935
C5	20	450	AFH2-69	B0500	FP282.5	TMD-2760	TVL-2935
C6	30	450	PF81460	BR3015	TC47	TD-30-150	TVA-1412
C7	30	150	PF81460	BR3015	TC47	TD-30-150	TVA-1412

## FIXED CAPACITORS

Capacity values given in the rating column are in mfd. for Paper Capacitors, and in mmfd. for Mica and Ceramic Capacitors.

ITEM No.	RATING	REMARKS	REPLACEMENT DATA				SPRAGUE PART No.
			AEROVOX PART No.	CENTRALAB PART No.	CORNELL-DUBILIER PART No.	ELMENCOR PART No.	
C8	1000 .10%		DI-1000	DD-102	5R6D1	CCD-102	GP210
C9	.0056 200V		P288N-1	D6-562	DPMSD56	6DP-1-562	GEM-16256
C10	.1 200V		P488N-1.0	DF-104	CUB2P1	2DP-3-104	GEM-201
C11	1.0 400V		P488N-1.0	DF-104	ST4W1	GEM-41	GEM-41
C12	1.0 400V		DI-1000	DD-102	5R6D1	CCD-102	GP210
C13	1000 10%		P288N-1	D6-562	DPMSD56	6DP-1-562	GEM-16256
C14	.0056 200V		P488N-1.0	DF-104	CUB2P1	2DP-3-104	GEM-201
C15	.1 200V		P488N-1.0	DF-104	ST4W1	GEM-41	GEM-41
C16	1.0 400V		P488N-1.0	DF-104	ST4W1	GEM-41	GEM-41
C17	1.0 400V		P488N-1.0	DF-104	ST4W1	GEM-41	GEM-41

## CONTROLS

ITEM No.	RATING	REPLACEMENT DATA				INSTALLATION NOTES
		CENTRALAB PART No.	BOGEN PART No.	CLAROSTAT PART No.	CTS-IRC PART No.	
R1A	100K	AB-41	77-001-488	AD47-100K-S	FA15A	Volume, Channel 1
B	100K	SR-41		Not Req.	RUI5A	Volume, Channel 2
C	Shaft	AK-1		FKS-1/4	CS3500	
R2A	10K	AB-14	77-001-400	A47-10K-S	SU-20	Bias Adjust 1
B	Shaft	AK-1		FKS-1/4	SU-20	Bias Adjust 2
R3A	10K	AB-14	77-001-400	A47-10K-S	SU-20	Bias Adjust 3
B	Shaft	AK-1		FKS-1/4	SU-20	Bias Adjust 4
R4A	10K	AB-14	77-001-400	A47-10K-S	SU-20	
B	Shaft	AK-1		FKS-1/4	SU-20	
R5A	10K	AB-14	77-001-400	A47-10K-S	SU-20	
B	Shaft	AK-1		FKS-1/4	SU-20	

## RESISTORS (IRC or EQUIVALENT)

All wattages 1/2 watt, or less, unless otherwise listed.

ITEM No.	RATING	REMARKS	ITEM No.	RATING	REMARKS
R6	82K 1W		R19	102	
R7	12000		R20	82K 1W	
R8	16000		R21	470Ω	
R9	6.8meg		R22	12000	
R10	1meg		R23	16000	
R11	47K		R24	6.8meg	
R12	82K		R25	1meg	
R13	82K		R26	82K	
R14	100K		R27	47K	
R15	10000		R28	82K	
R16	100		R29	100K	
R17	100K		R30	10000	
R18	10000		R31	102	

## TRANSFORMER (POWER)

ITEM No.	RATING			REPLACEMENT DATA			NOTES
	PRI	SEC. 1	SEC. 2	BOGEN PART No.	Merit PART No.	Stancor PART No.	
T1	117V @ 1.7A	900VCT @ 300A (No. Signal)	660VCT @ 040A (No. Signal)	83-626-000			
		100A Max. Mex. Signal, Tap @ 75V @ .020A					
	SEC. 3	SEC. 4	SEC. 5				
	5V @ 3.8A	5V @ 1.9A	6.3VCT 4.5A				

## TRANSFORMER (AUDIO OUTPUT)

ITEM No.	IMPEDANCE		REPLACEMENT DATA			NOTES
	PRI	SEC.	BOGEN PART No.	Merit PART No.	Stancor PART No.	
T2	57000 CT	920 Tap @ 160, 80, 40	83-309-000			
T3	57000 CT	320 Tap @ 160, 80, 40	83-309-000			

## POWER RECTIFIERS

ITEM No.	RATING		REPLACEMENT DATA			NOTES
	CURRENT (Measured)	BOGEN PART No.	RCA PART No.	SARKES TAZIAN PART No.	SYLVANIA PART No.	
M1	.020A	86-0016-01 *		65A *		* Selenium Type

## FUSES

ITEM No.	TYPE	RATING	REPLACEMENT DATA		
			BOGEN PART No.	HOLDER	BUSS PART No.
M2	3AG	2 1/2A 125V S/B			
			FUSE	342001	MDL 2 1/2
			HOLDER		HOLDER

## MISCELLANEOUS

ITEM No.	PART NAME	BOGEN PART No.	NOTES
M3	Switch	81-003-004	Power Off-On (SPDT, Slide Type)