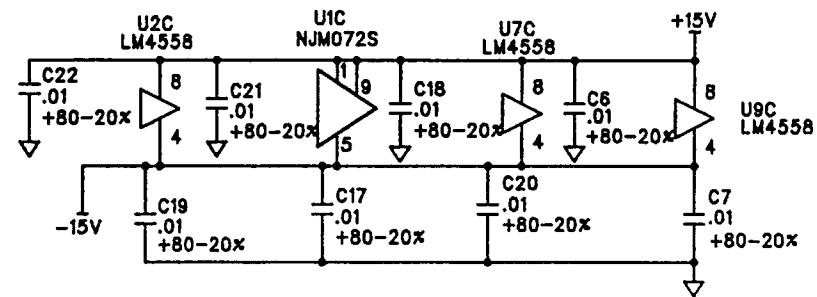
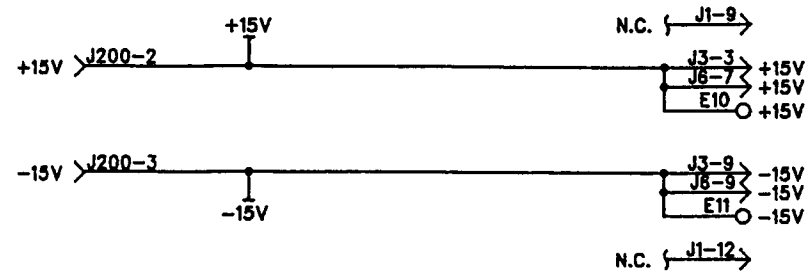
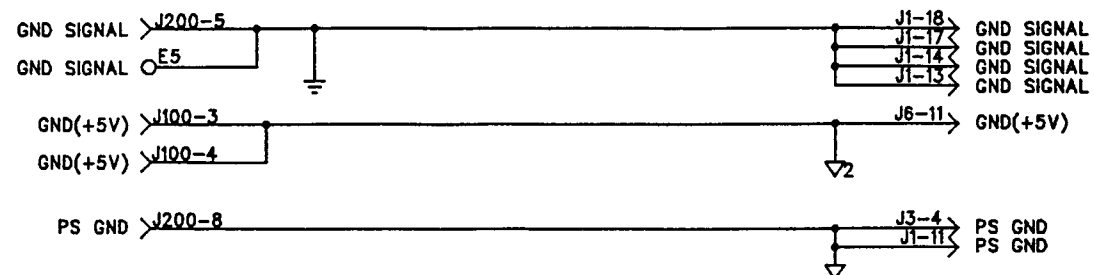
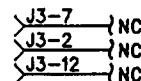
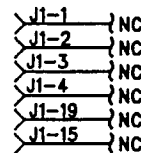
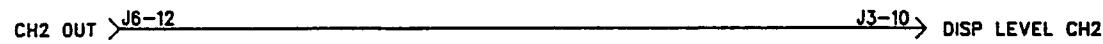
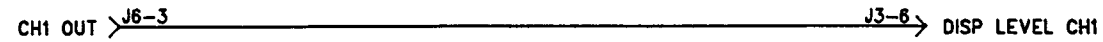
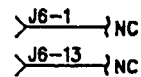
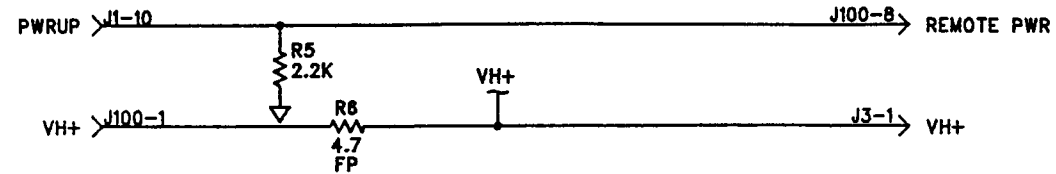


- NOTES: UNLESS OTHERWISE SPECIFIED.
1. ALL RESISTORS ARE IN OHMS, 1/4W, 5%.
 2. ALL CAPACITORS ARE IN MICROFARADS, 10%, 100V.
 3. ABBREVIATION: FLAME PROOF = FP

BOSE
 1600/1800 VI Amplifiers
 Display PCB
 Sheet 1 of 1

Service Manual P/N: 199747 Rev. 00



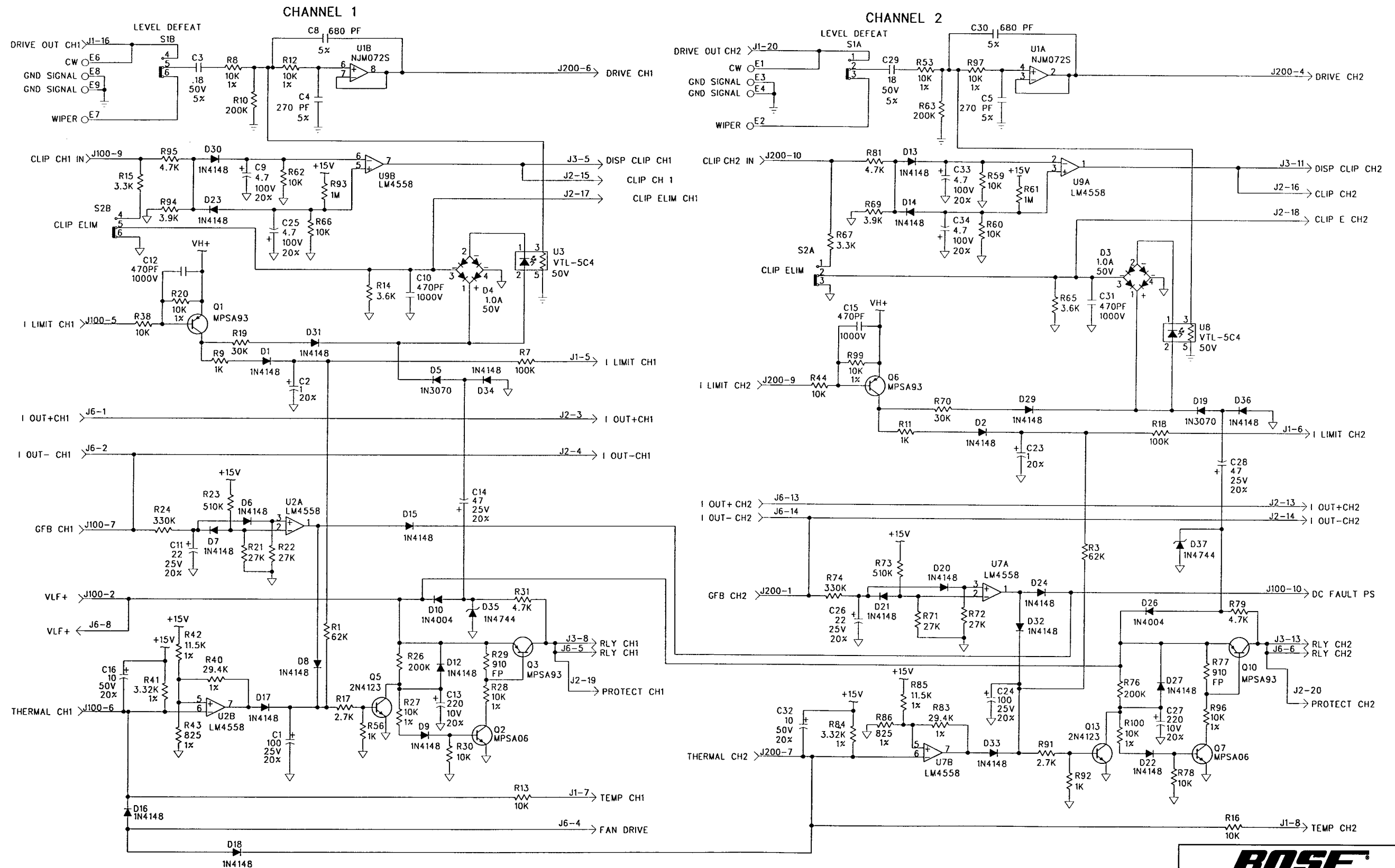
MODEL	VOLTAGE (VH+)
B1800	+106V

GND SYMBOL LEGEND	
	CHASSIS GROUND
	GND SIGNAL
	PS GND
	SPK1 GND
	GND(+5V)
	SPK2 GND

3. ABBREVIATION: FP = FLAME PROOF
2. ALL CAPACITORS ARE IN MICROFARADS 100V, 10x
1. ALL RESISTORS ARE 1/4W 5x.

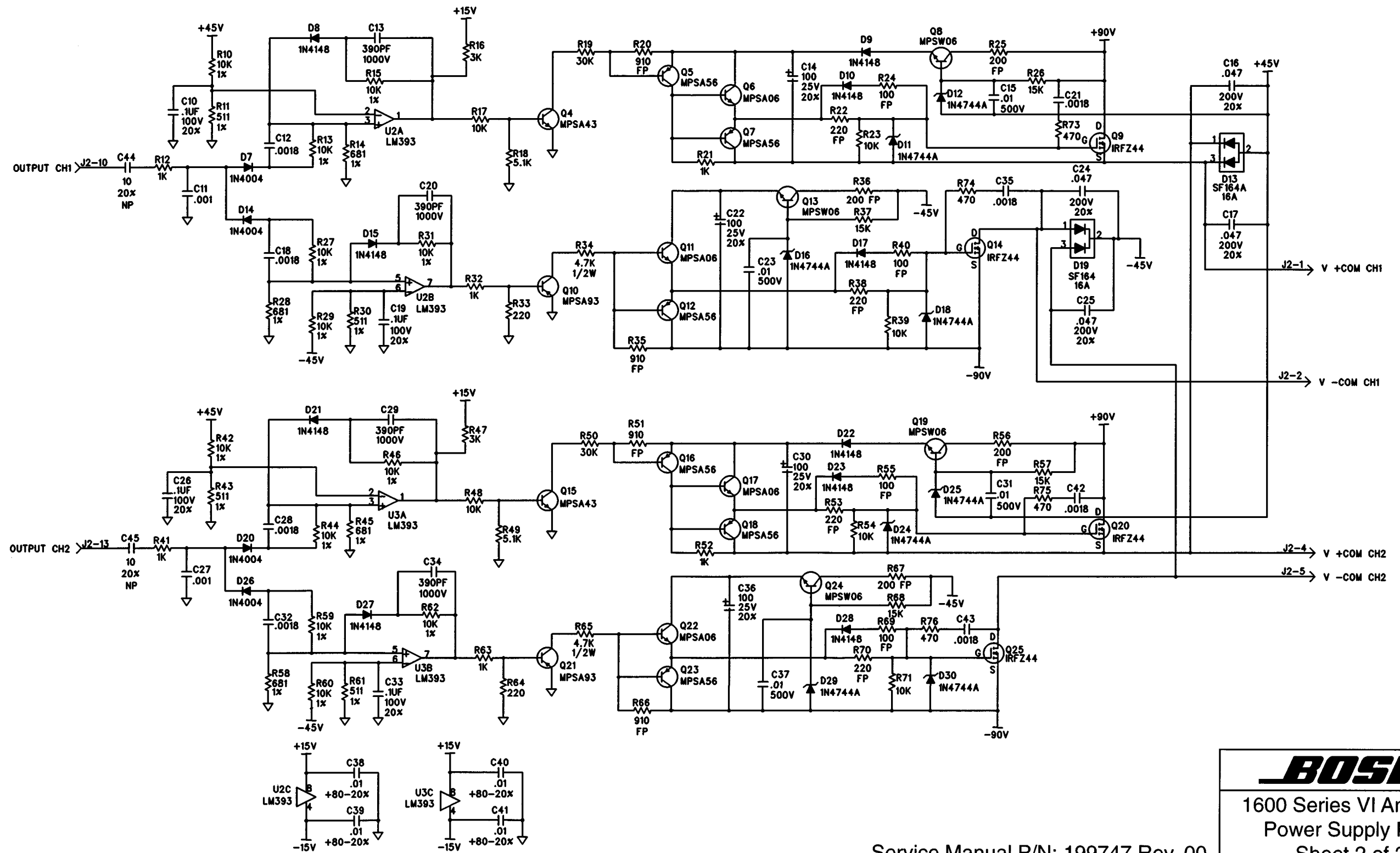
BOSE

1600/1800 VI Amplifiers
Input/Output PCB
Sheet 1 of 2



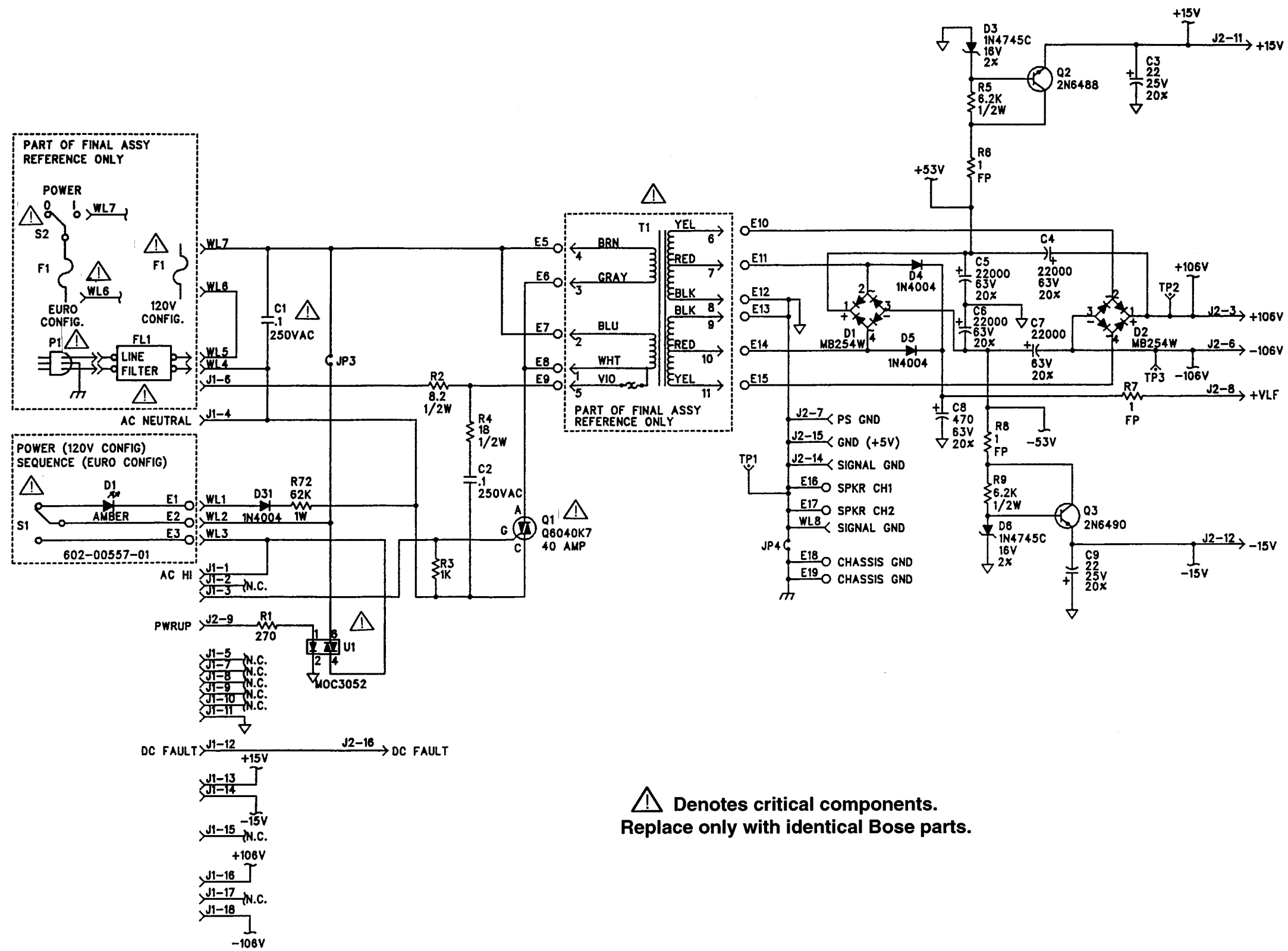
BOSE
 1600/1800 VI Amplifiers
 Input/Output PCB
 Sheet 2 of 2

Service Manual P/N: 199747 Rev. 00



Service Manual P/N: 199747 Rev. 00

BOSE
 1600 Series VI Amplifier
 Power Supply PCB
 Sheet 2 of 2



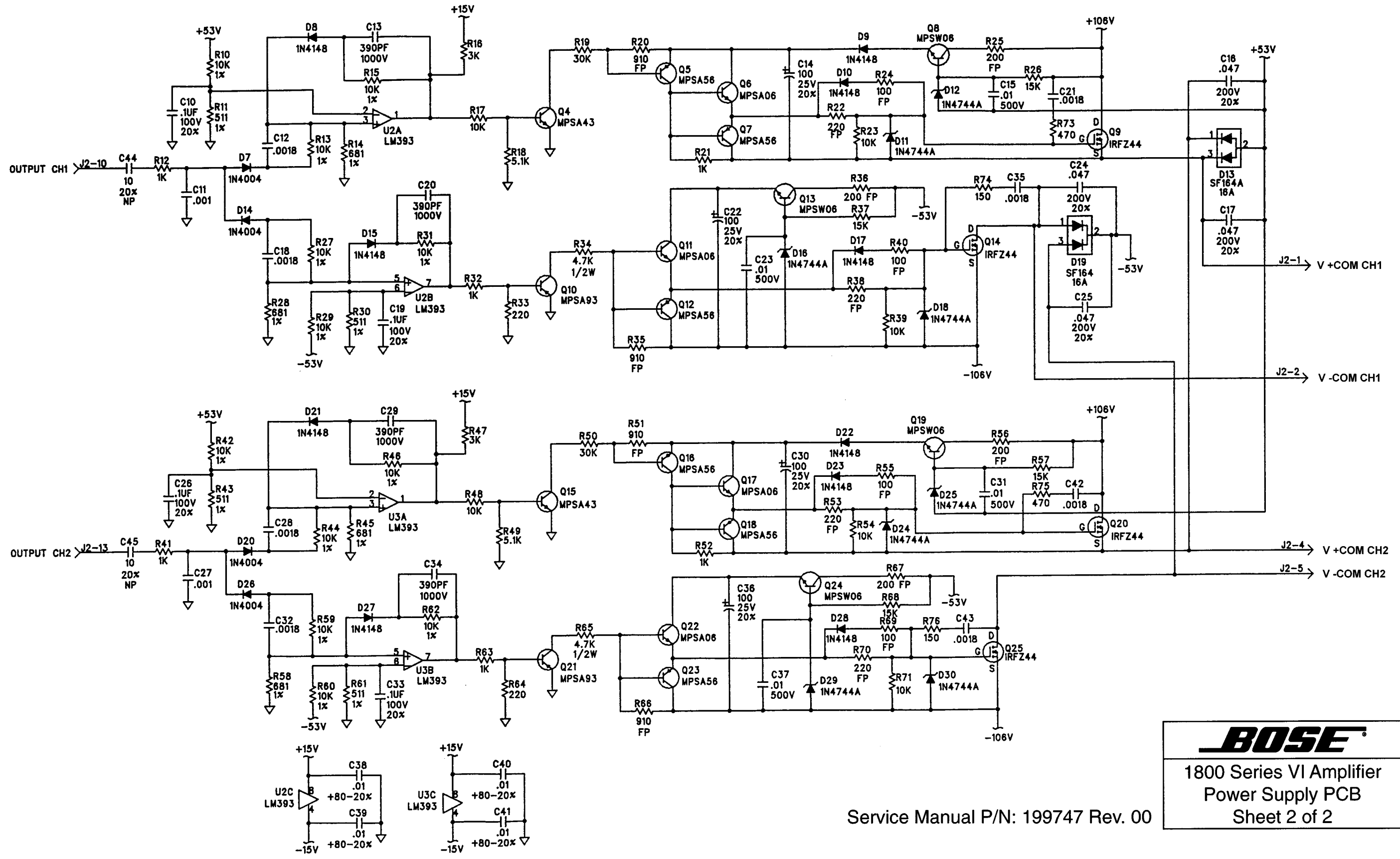
**⚠ Denotes critical components.
Replace only with identical Bose parts.**

- 4. ABBREVIATION: NP = NON POLAR.
 - 3. ABBREVIATION: FP = FLAME PROOF.
 - 2. ALL CAPACITORS ARE IN MICROFARADS, 100V, 10x.
 - 1. ALL RESISTOR VALUES ARE IN OHMS 1/4W 5x.
- NOTES: UNLESS OTHERWISE SPECIFIED:

BOSE

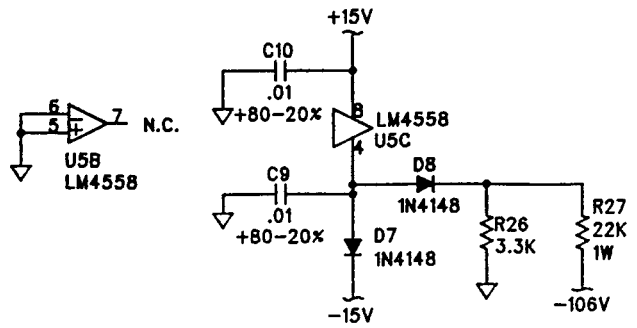
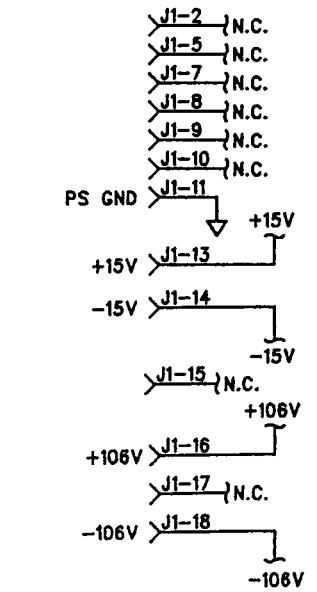
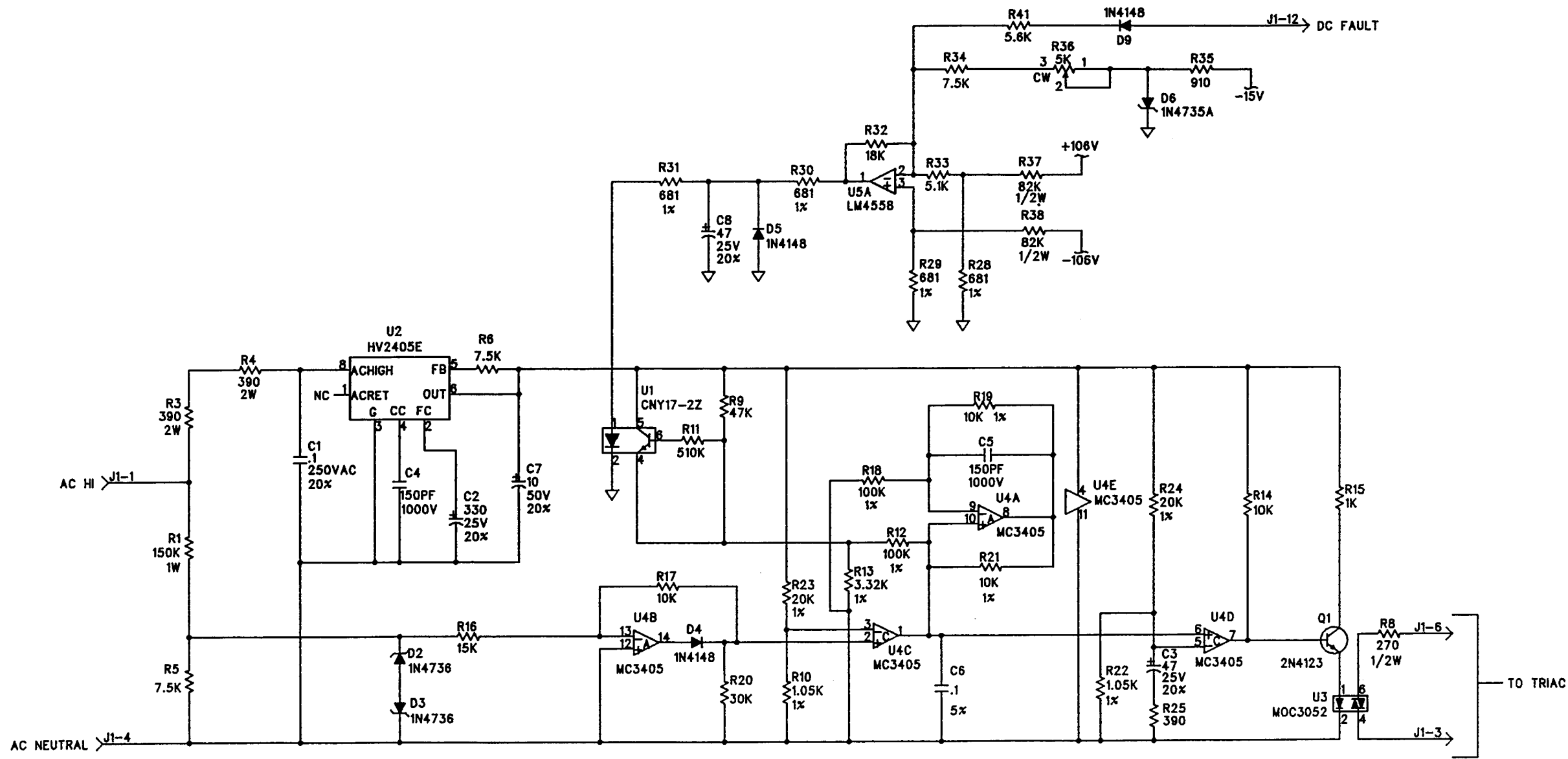
1800 Series VI Amplifier
Power Supply PCB
Sheet 1 of 2

Service Manual P/N: 199747 Rev. 00



BOSE
 1800 Series VI Amplifier
 Power Supply PCB
 Sheet 2 of 2

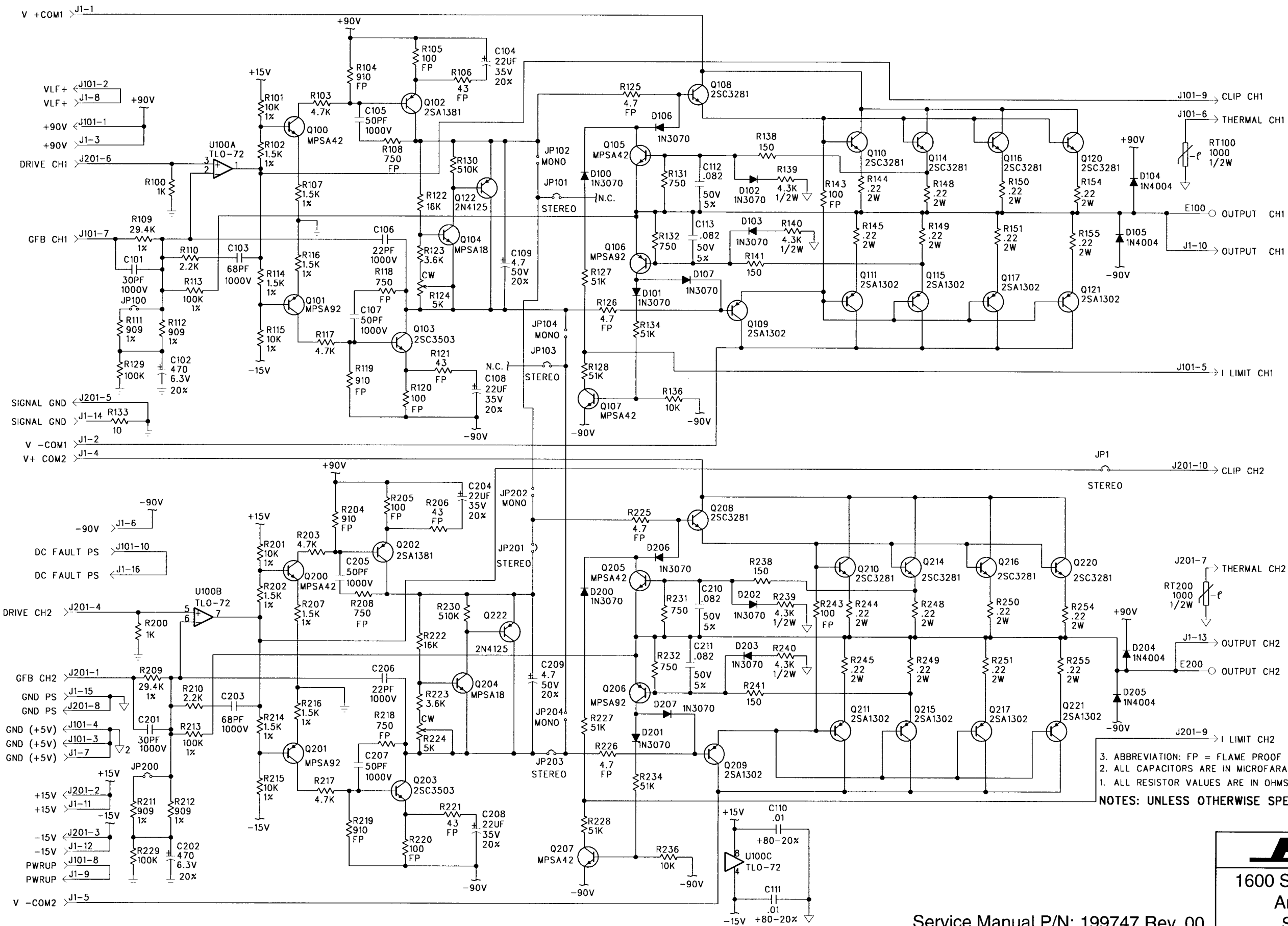
Service Manual P/N: 199747 Rev. 00



2. ALL CAPACITORS ARE IN MICROFARADS, 100V, 10%.
 1. ALL RESISTOR VALUES ARE IN OHMS, 1/4W, 5%.
 NOTES: UNLESS OTHERWISE SPECIFIED

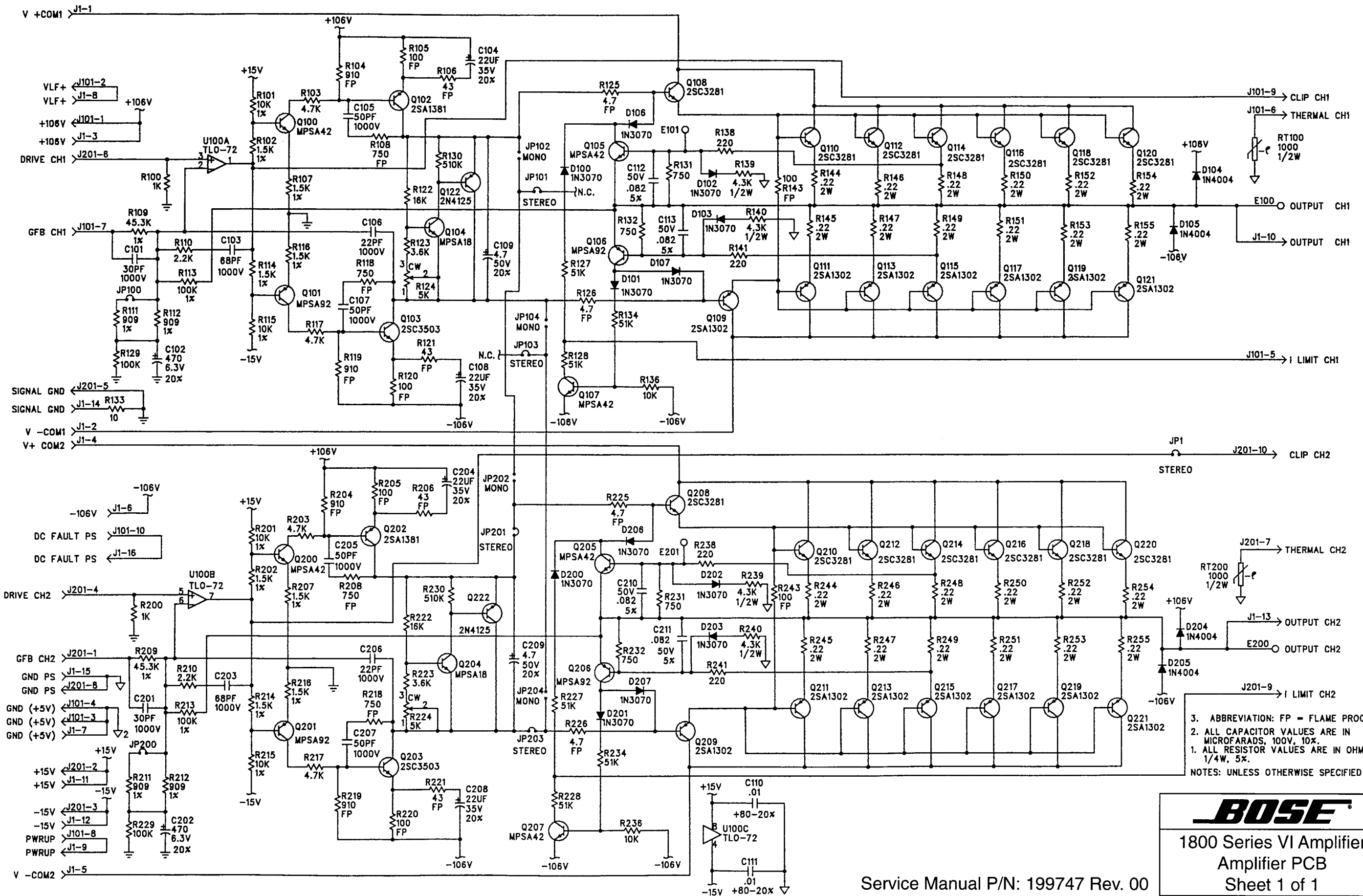
BOSE
 1800 Series VI Amplifier
 Regulator PCB
 Sheet 1 of 1

Service Manual P/N: 199747 Rev. 00



BOSE
 1600 Series VI Amplifier
 Amplifier PCB
 Sheet 1 of 1

Service Manual P/N: 199747 Rev. 00

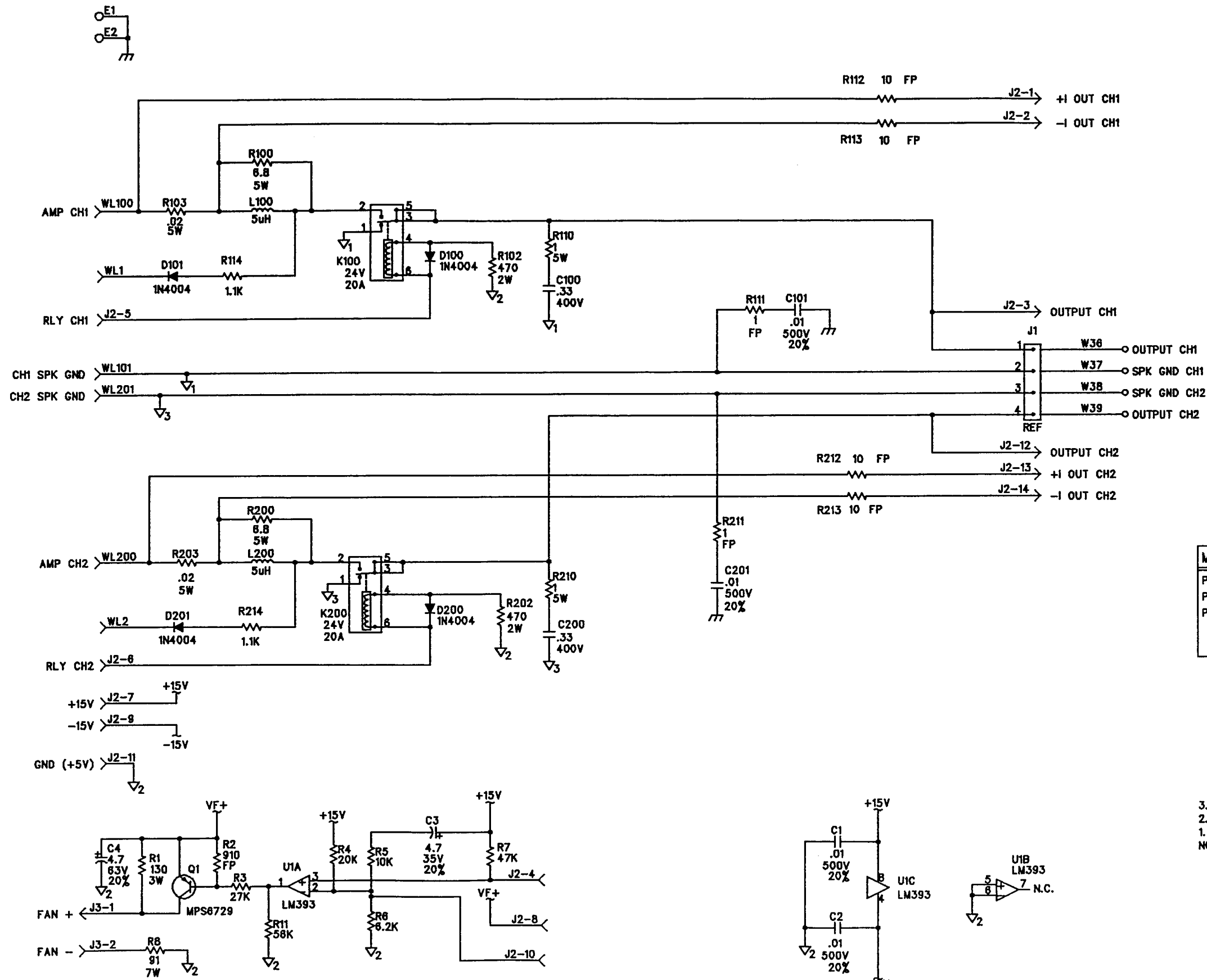


3. ABBREVIATION: FP = FLAME PROOF
 2. ALL CAPACITOR VALUES ARE IN MICROFARADS, 100V, 10%.
 1. ALL RESISTOR VALUES ARE IN OHMS, 1/4W, 5%.
- NOTES: UNLESS OTHERWISE SPECIFIED

BOSE

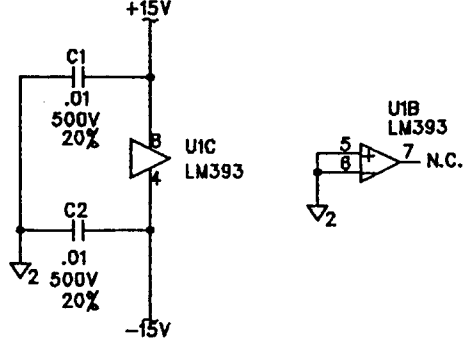
1800 Series VI Amplifier
Amplifier PCB
Sheet 1 of 1

Service Manual P/N: 199747 Rev. 00



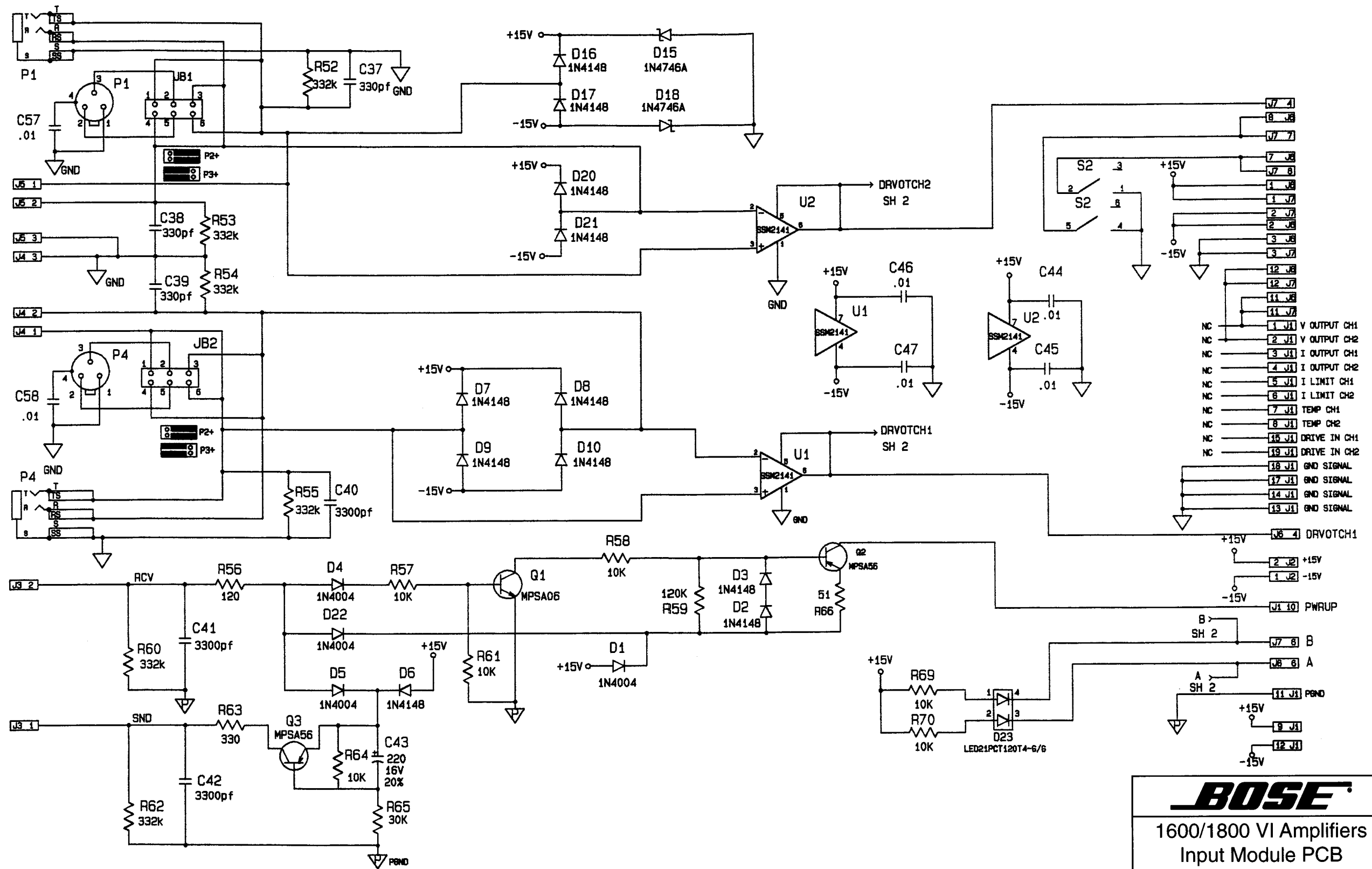
MODEL	VOLTAGE (VF+)
PM-1400	+52V
PM-950	+52V
PM-700	+45V

3. ABBREVIATION: FP = FLAMEPROOF.
 2. ALL CAPACITORS ARE IN MICROFARADS, 10%, 100V.
 1. ALL RESISTORS ARE IN OHMS, 1/4W, 5%.
 NOTES: UNLESS OTHERWISE SPECIFIED.



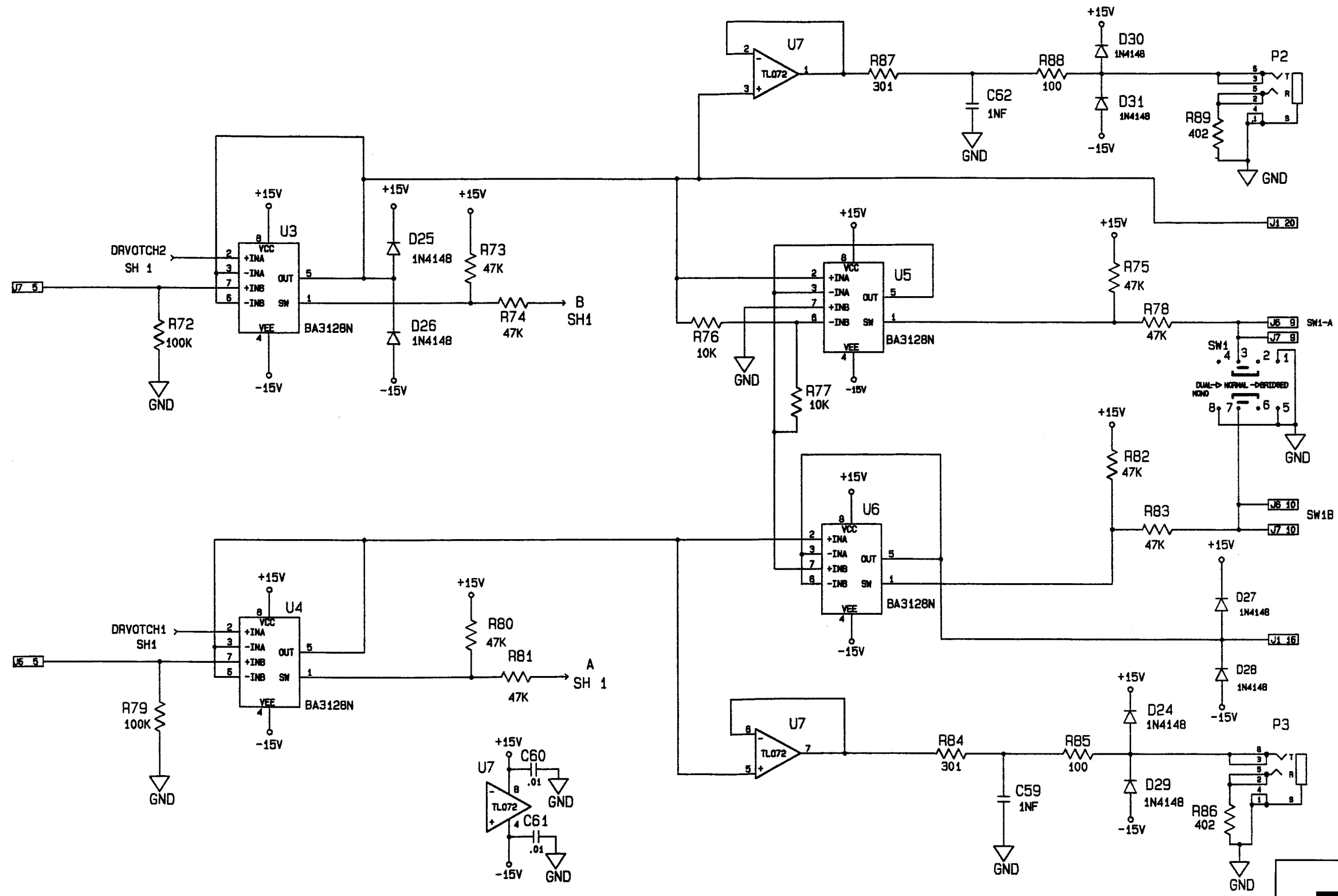
Service Manual P/N: 199747 Rev. 00

BOSE
 1600/1800 VI Amplifiers
 Output PCB
 Sheet 1 of 1



BOSE
 1600/1800 VI Amplifiers
 Input Module PCB
 Sheet 1 of 2

Service Manual P/N: 199747 Rev. 00



BOSE
 1600/1800 VI Amplifiers
 Input Module PCB
 Sheet 2 of 2

Service Manual P/N: 199747 Rev. 00