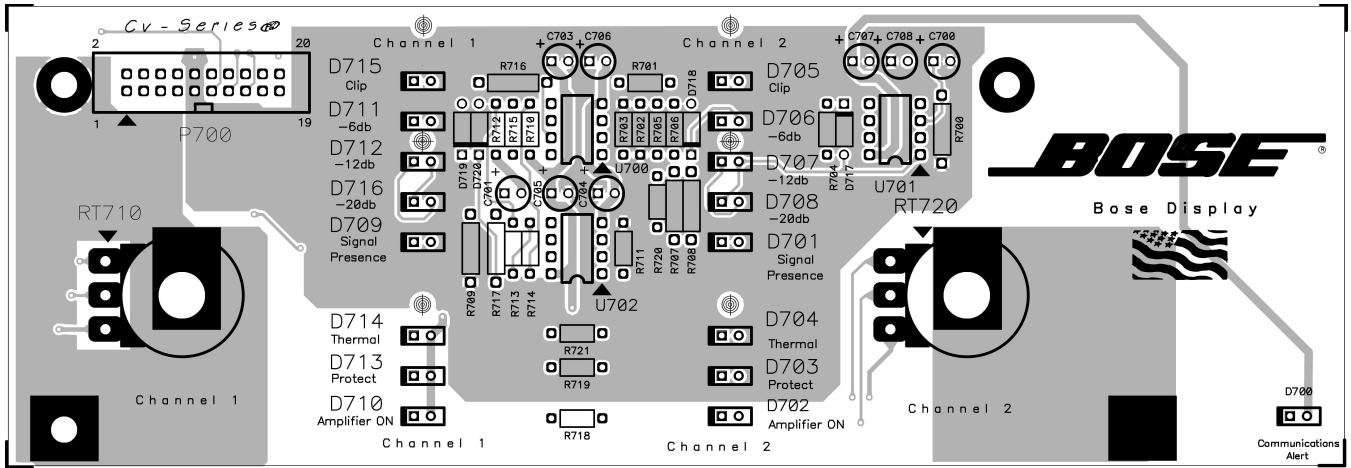
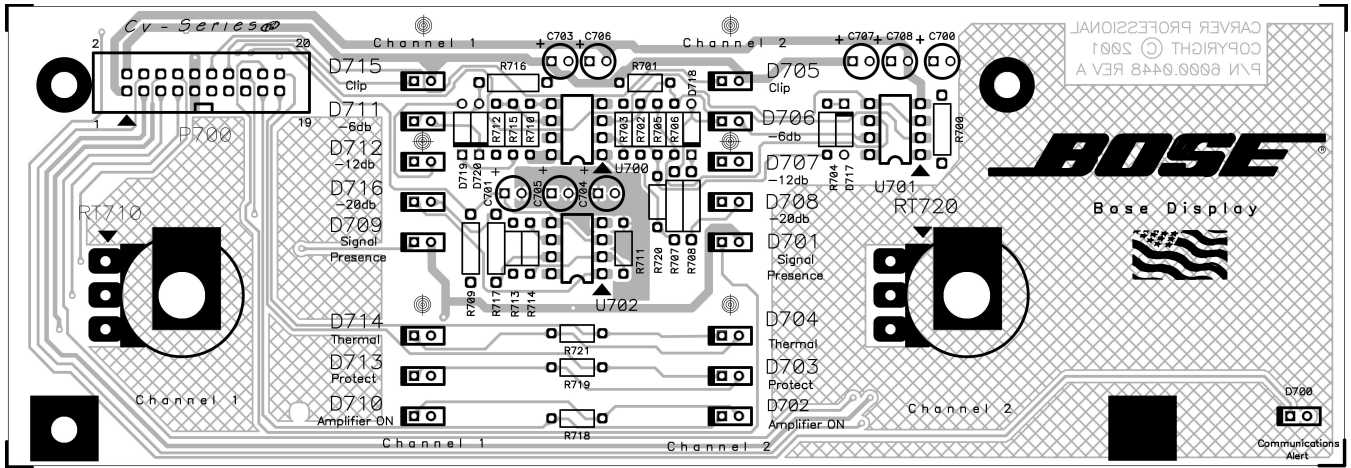


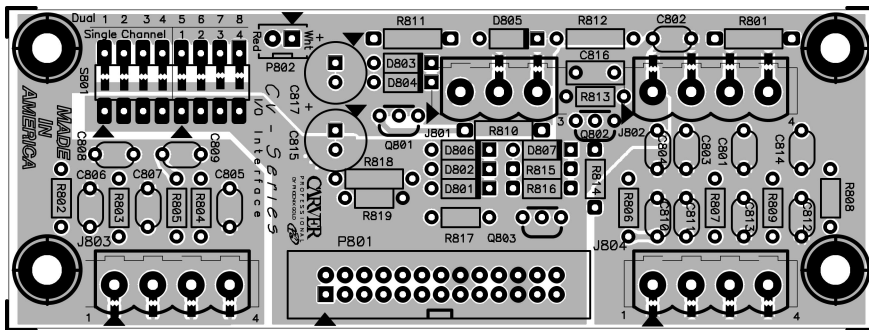
**Bose® Model 2150 Amplifier, Service Manual Part Number 216306**



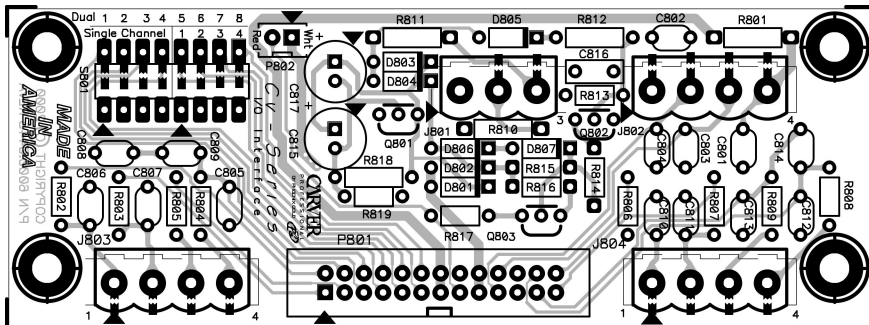
**Display PCB Top Etch Layout**



**Display PCB Bottom Etch Layout**



**Interface PCB Top Etch Layout**



**Interface PCB Bottom Etch Layout**