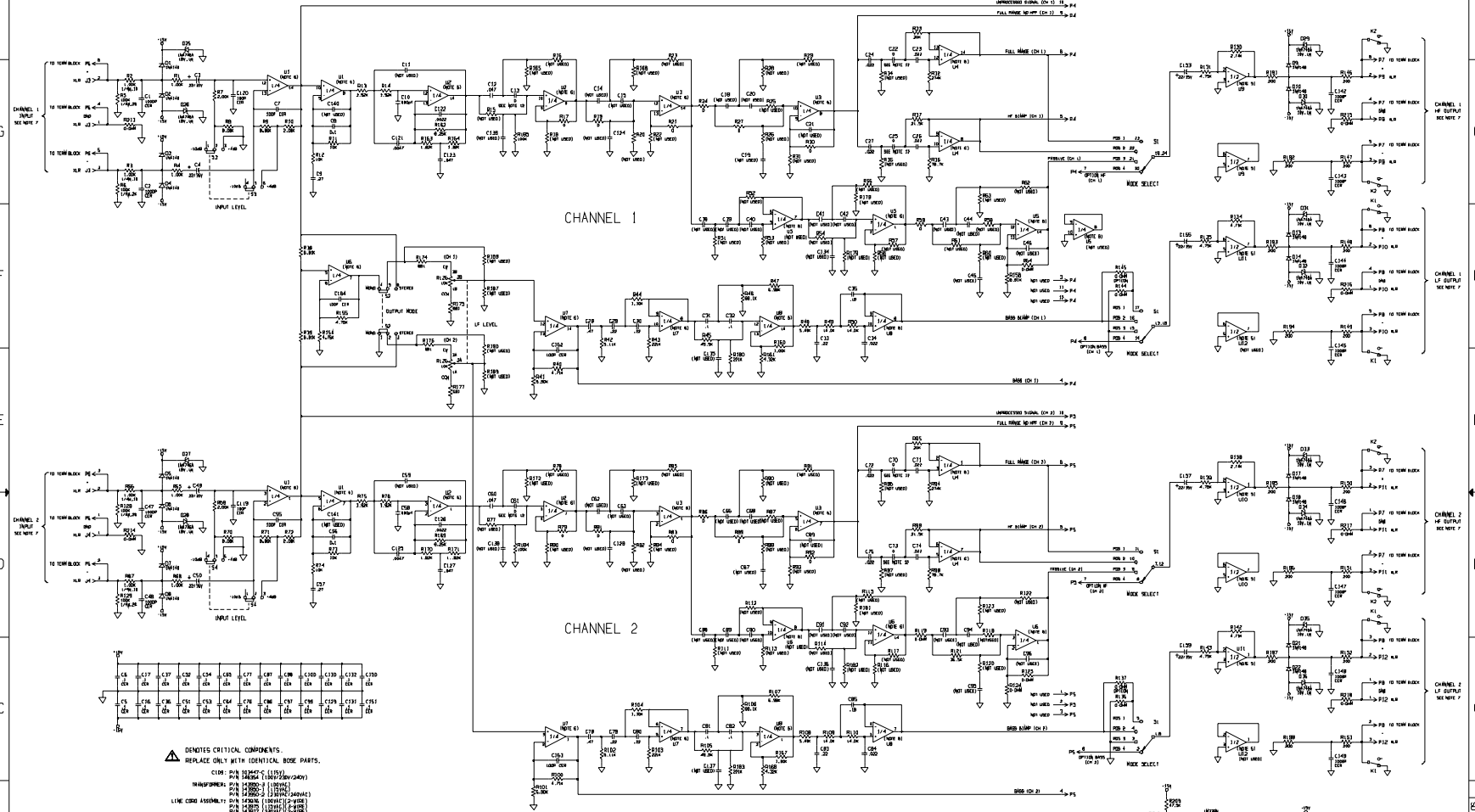


REVISIONS			
NO.	DESCRIPTION	DATE	BY
1	REVISED FOR PART 1	08/09/83	STEVE SALL
2	REVISED FOR PART 2	08/09/83	STEVE SALL
3	REVISED FOR PART 3	08/09/83	STEVE SALL
4	REVISED FOR PART 4	08/09/83	STEVE SALL

PCS OPERATING MODE:
 MODE 1: STEREO ONLY / FULL RANGE (80Hz-20KHz)
 MODE 2: STEREO ONLY / FULL RANGE (80Hz-20KHz)
 MODE 3: MONO (80Hz-20KHz)
 MODE 4: STEREO ONLY / FULL RANGE (80Hz-20KHz)



▲ DENOTES CRITICAL COMPONENTS.
 REPLACE ONLY WITH IDENTICAL BOSE PARTS.

C106: P/N 162407 C (100)
 C107: P/N 162408 C (100)
 TRANSFORMER: P/N 142800-1 (120VAC/240VAC)
 P/N 142800-2 (120VAC/240VAC)
 LINE COORD ASSEMBLY: P/N 142800-3 (120VAC/240VAC)
 P/N 142800-4 (120VAC/240VAC)
 P/N 142800-5 (120VAC/240VAC)
 P/N 142800-6 (120VAC/240VAC)
 P/N 142800-7 (120VAC/240VAC)
 P/N 142800-8 (120VAC/240VAC)
 P/N 142800-9 (120VAC/240VAC)
 P/N 142800-10 (120VAC/240VAC)
 P/N 142800-11 (120VAC/240VAC)
 P/N 142800-12 (120VAC/240VAC)
 P/N 142800-13 (120VAC/240VAC)
 P/N 142800-14 (120VAC/240VAC)
 P/N 142800-15 (120VAC/240VAC)
 P/N 142800-16 (120VAC/240VAC)
 P/N 142800-17 (120VAC/240VAC)
 P/N 142800-18 (120VAC/240VAC)
 P/N 142800-19 (120VAC/240VAC)
 P/N 142800-20 (120VAC/240VAC)
 P/N 142800-21 (120VAC/240VAC)
 P/N 142800-22 (120VAC/240VAC)
 P/N 142800-23 (120VAC/240VAC)
 P/N 142800-24 (120VAC/240VAC)
 P/N 142800-25 (120VAC/240VAC)
 P/N 142800-26 (120VAC/240VAC)
 P/N 142800-27 (120VAC/240VAC)
 P/N 142800-28 (120VAC/240VAC)
 P/N 142800-29 (120VAC/240VAC)
 P/N 142800-30 (120VAC/240VAC)
 P/N 142800-31 (120VAC/240VAC)
 P/N 142800-32 (120VAC/240VAC)
 P/N 142800-33 (120VAC/240VAC)
 P/N 142800-34 (120VAC/240VAC)
 P/N 142800-35 (120VAC/240VAC)
 P/N 142800-36 (120VAC/240VAC)
 P/N 142800-37 (120VAC/240VAC)
 P/N 142800-38 (120VAC/240VAC)
 P/N 142800-39 (120VAC/240VAC)
 P/N 142800-40 (120VAC/240VAC)
 P/N 142800-41 (120VAC/240VAC)
 P/N 142800-42 (120VAC/240VAC)
 P/N 142800-43 (120VAC/240VAC)
 P/N 142800-44 (120VAC/240VAC)
 P/N 142800-45 (120VAC/240VAC)
 P/N 142800-46 (120VAC/240VAC)
 P/N 142800-47 (120VAC/240VAC)
 P/N 142800-48 (120VAC/240VAC)
 P/N 142800-49 (120VAC/240VAC)
 P/N 142800-50 (120VAC/240VAC)

REF	DESCRIPTION	QTY
C106	162407 C (100)	1
C107	162408 C (100)	1
U1	142800-1 (120VAC/240VAC)	1
U2	142800-2 (120VAC/240VAC)	1
U3	142800-3 (120VAC/240VAC)	1
U4	142800-4 (120VAC/240VAC)	1
U5	142800-5 (120VAC/240VAC)	1
U6	142800-6 (120VAC/240VAC)	1
U7	142800-7 (120VAC/240VAC)	1
U8	142800-8 (120VAC/240VAC)	1
U9	142800-9 (120VAC/240VAC)	1
U10	142800-10 (120VAC/240VAC)	1
U11	142800-11 (120VAC/240VAC)	1
U12	142800-12 (120VAC/240VAC)	1
U13	142800-13 (120VAC/240VAC)	1
U14	142800-14 (120VAC/240VAC)	1
U15	142800-15 (120VAC/240VAC)	1
U16	142800-16 (120VAC/240VAC)	1
U17	142800-17 (120VAC/240VAC)	1
U18	142800-18 (120VAC/240VAC)	1
U19	142800-19 (120VAC/240VAC)	1
U20	142800-20 (120VAC/240VAC)	1
U21	142800-21 (120VAC/240VAC)	1
U22	142800-22 (120VAC/240VAC)	1
U23	142800-23 (120VAC/240VAC)	1
U24	142800-24 (120VAC/240VAC)	1
U25	142800-25 (120VAC/240VAC)	1
U26	142800-26 (120VAC/240VAC)	1
U27	142800-27 (120VAC/240VAC)	1
U28	142800-28 (120VAC/240VAC)	1
U29	142800-29 (120VAC/240VAC)	1
U30	142800-30 (120VAC/240VAC)	1
U31	142800-31 (120VAC/240VAC)	1
U32	142800-32 (120VAC/240VAC)	1
U33	142800-33 (120VAC/240VAC)	1
U34	142800-34 (120VAC/240VAC)	1
U35	142800-35 (120VAC/240VAC)	1
U36	142800-36 (120VAC/240VAC)	1
U37	142800-37 (120VAC/240VAC)	1
U38	142800-38 (120VAC/240VAC)	1
U39	142800-39 (120VAC/240VAC)	1
U40	142800-40 (120VAC/240VAC)	1
U41	142800-41 (120VAC/240VAC)	1
U42	142800-42 (120VAC/240VAC)	1
U43	142800-43 (120VAC/240VAC)	1
U44	142800-44 (120VAC/240VAC)	1
U45	142800-45 (120VAC/240VAC)	1
U46	142800-46 (120VAC/240VAC)	1
U47	142800-47 (120VAC/240VAC)	1
U48	142800-48 (120VAC/240VAC)	1
U49	142800-49 (120VAC/240VAC)	1
U50	142800-50 (120VAC/240VAC)	1

NOTES:

1. ALL RESISTORS ARE EXPRESSED IN OHMS AND ARE 5% TOL.
2. ALL CAPACITORS ARE EXPRESSED IN MICROFARADS.
3. ALL NON-POLARIZED CAPACITORS ARE FILM AND ARE +/- 5% TOL.
4. ALL POLARIZED CAPACITORS ARE ALUMINUM ELECTROLYTIC AND ARE +/- 20% TOL.
5. U1 - U10 - SCHEMATIC (SEE P. 10).
6. U11 - U12 - SCHEMATIC (SEE P. 10).
7. U13 - U14 - SCHEMATIC (SEE P. 10).
8. U15 - U16 - SCHEMATIC (SEE P. 10).
9. U17 - U18 - SCHEMATIC (SEE P. 10).
10. U19 - U20 - SCHEMATIC (SEE P. 10).
11. U21 - U22 - SCHEMATIC (SEE P. 10).
12. U23 - U24 - SCHEMATIC (SEE P. 10).
13. U25 - U26 - SCHEMATIC (SEE P. 10).
14. U27 - U28 - SCHEMATIC (SEE P. 10).
15. U29 - U30 - SCHEMATIC (SEE P. 10).
16. U31 - U32 - SCHEMATIC (SEE P. 10).
17. U33 - U34 - SCHEMATIC (SEE P. 10).
18. U35 - U36 - SCHEMATIC (SEE P. 10).
19. U37 - U38 - SCHEMATIC (SEE P. 10).
20. U39 - U40 - SCHEMATIC (SEE P. 10).
21. U41 - U42 - SCHEMATIC (SEE P. 10).
22. U43 - U44 - SCHEMATIC (SEE P. 10).
23. U45 - U46 - SCHEMATIC (SEE P. 10).
24. U47 - U48 - SCHEMATIC (SEE P. 10).
25. U49 - U50 - SCHEMATIC (SEE P. 10).

	3 STEVE SALL 08/09/83	DATE 08/09/83
	2 STEVE SALL 08/09/83	DATE 08/09/83
1 STEVE SALL 08/09/83	DATE 08/09/83	DATE 08/09/83

BOSE
 FRANKLIN, MA 01761-9108
 402C CONTROLLER BOARD
 PART NO. 142800-1
 REV. 1
 172244
 SHEET 1 OF 1

