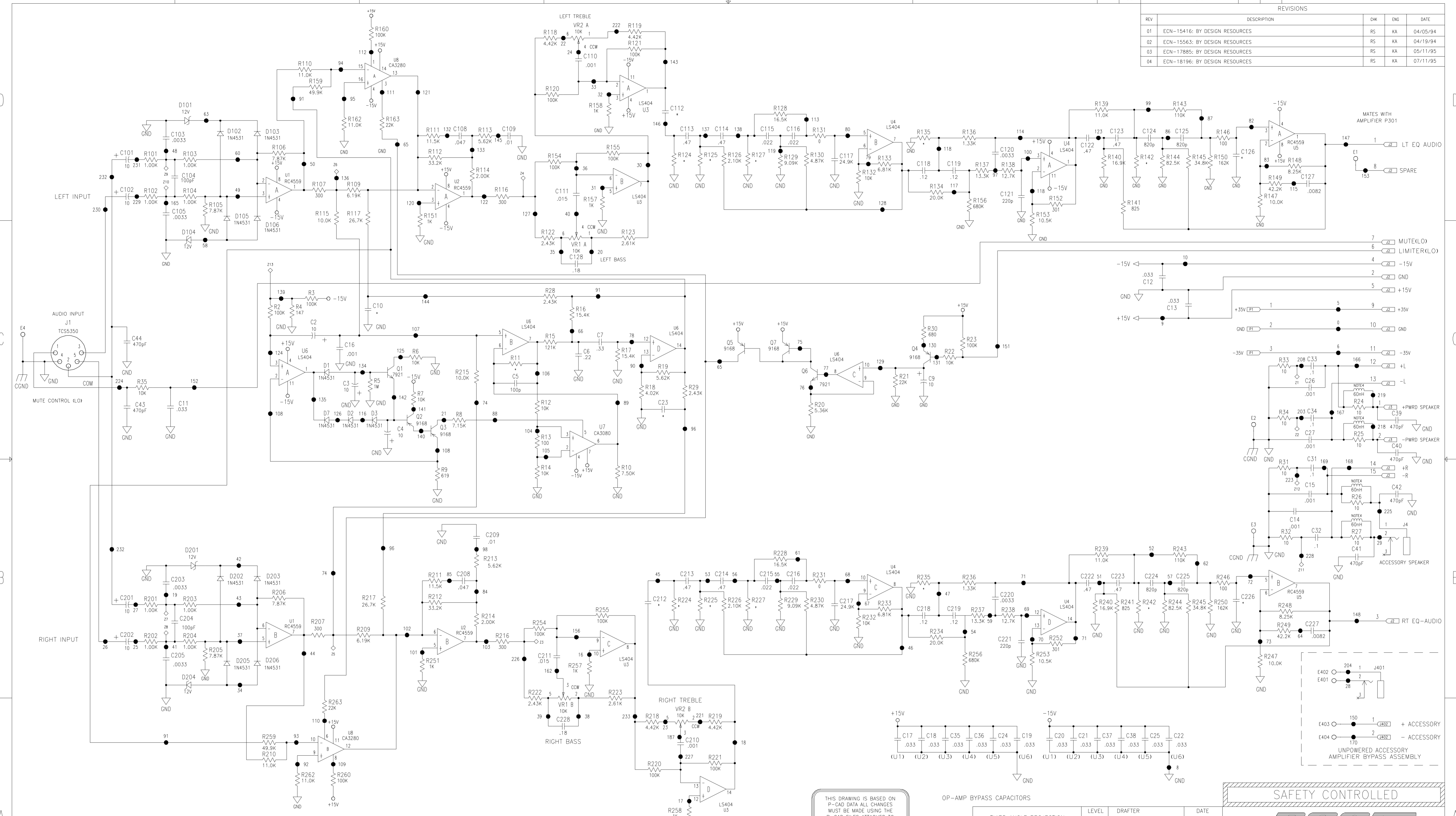


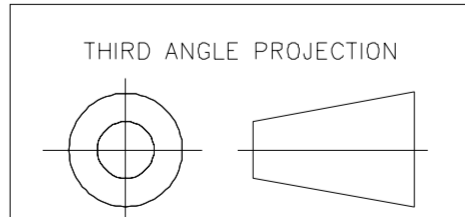
CLASS	DWG NO.	SN	REVISIONS				
SD	170130	1	REV	DESCRIPTION	CHK	ENG	DATE
			01	ECN-15416: BY DESIGN RESOURCES	RS	KA	04/05/94
			02	ECN-15563: BY DESIGN RESOURCES	RS	KA	04/19/94
			03	ECN-17885: BY DESIGN RESOURCES	RS	KA	05/11/95
			04	ECN-18196: BY DESIGN RESOURCES	RS	KA	07/11/95



- NOTES: UNLESS OTHERWISE SPECIFIED:
1. RESISTORS ARE 1/10 W VALUES IN OHMS
 2. CAPACITOR VALUES ARE IN MICROFARADS.
 3. COMPONENTS MARKED WITH A * ARE UNUSED
 4. INDUCTORS NOTED ARE NOT PHYSICAL COMPONENTS BUT ARE CREATED USING ETCH ON PCB.

THIS DRAWING IS BASED ON P-CAD DATA ALL CHANGES MUST BE MADE USING THE P-CAD FILES ATTACHED TO MD170134.

	U1,U2,U5 RC4559	U3,U4,U6 LS404	U7 CA3080	U8 CA3080
+15V	8	4	7	11,14
-15V	4	11	4	4



UNLESS OTHERWISE SPECIFIED INTERPRET THIS DRAWING PER ANSI Y14.5M-1982

NOTICE
BOSE CORP PROPRIETARY RIGHTS ARE INCLUDED HEREIN. THIS INFORMATION MAY NOT BE COPIED, TRANSFERRED OR DISCLOSED EXCEPT AS AUTHORIZED BY BOSE CORP

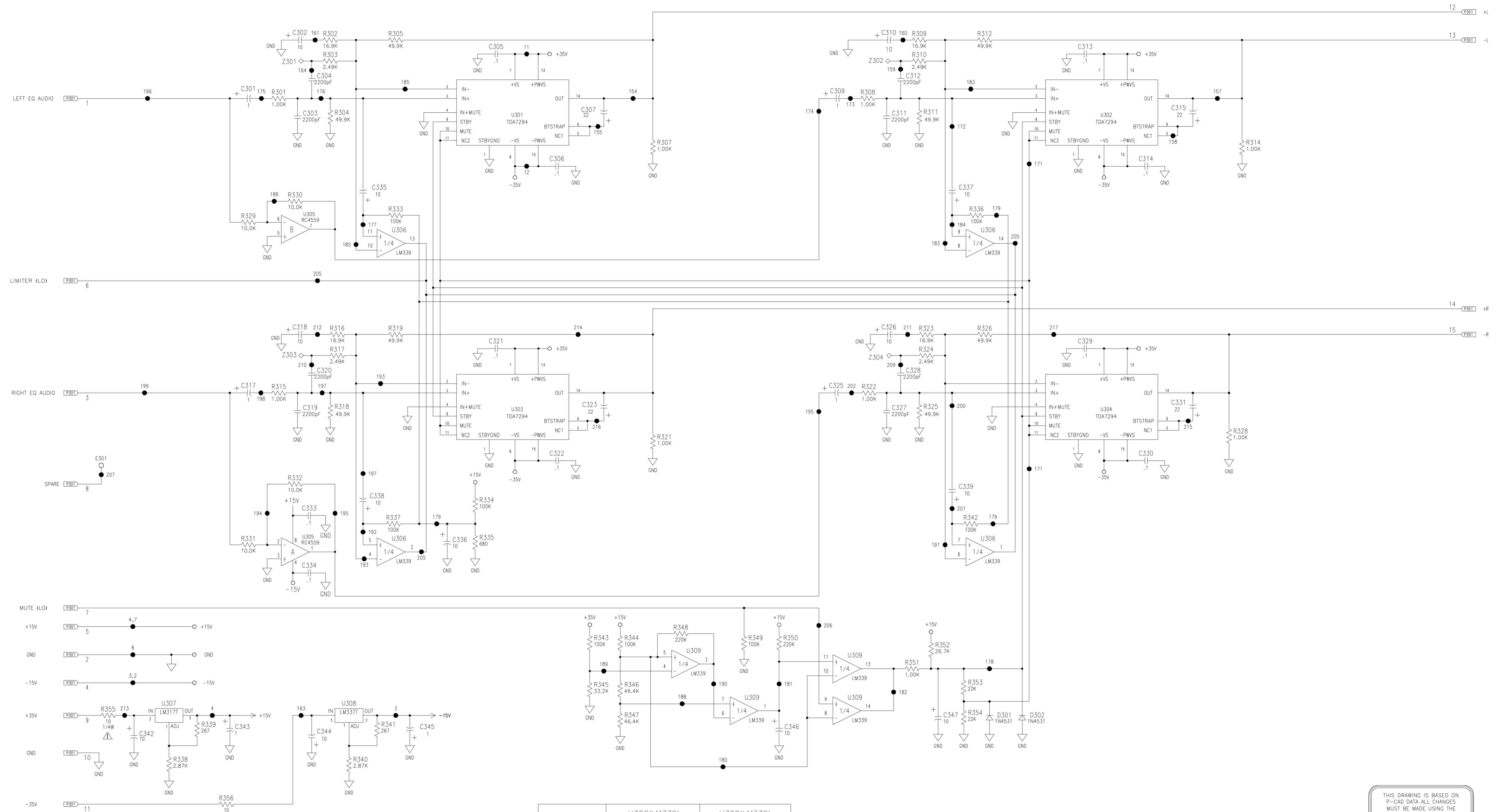
LEVEL	3	DRAFTER	DESIGN RESOURCES	DATE	10/22/93
		CHECKER			2/1/94
	2	ENGINEER			2/1/94
	1	REL TO PROD PER	NDR 687	AT REV	04
					9/26/95

SAFETY CONTROLLED



FRAMINGHAM, MA 01701-9168

TITLE				PC BOARD, 901P, AMP/EQ	
SIZE	FSCM	CLASS	DWG NO.	REV	
D	32108	SD	170130	04	
SCALE	NA	CAT. CODE	SHEET 1 OF 2		

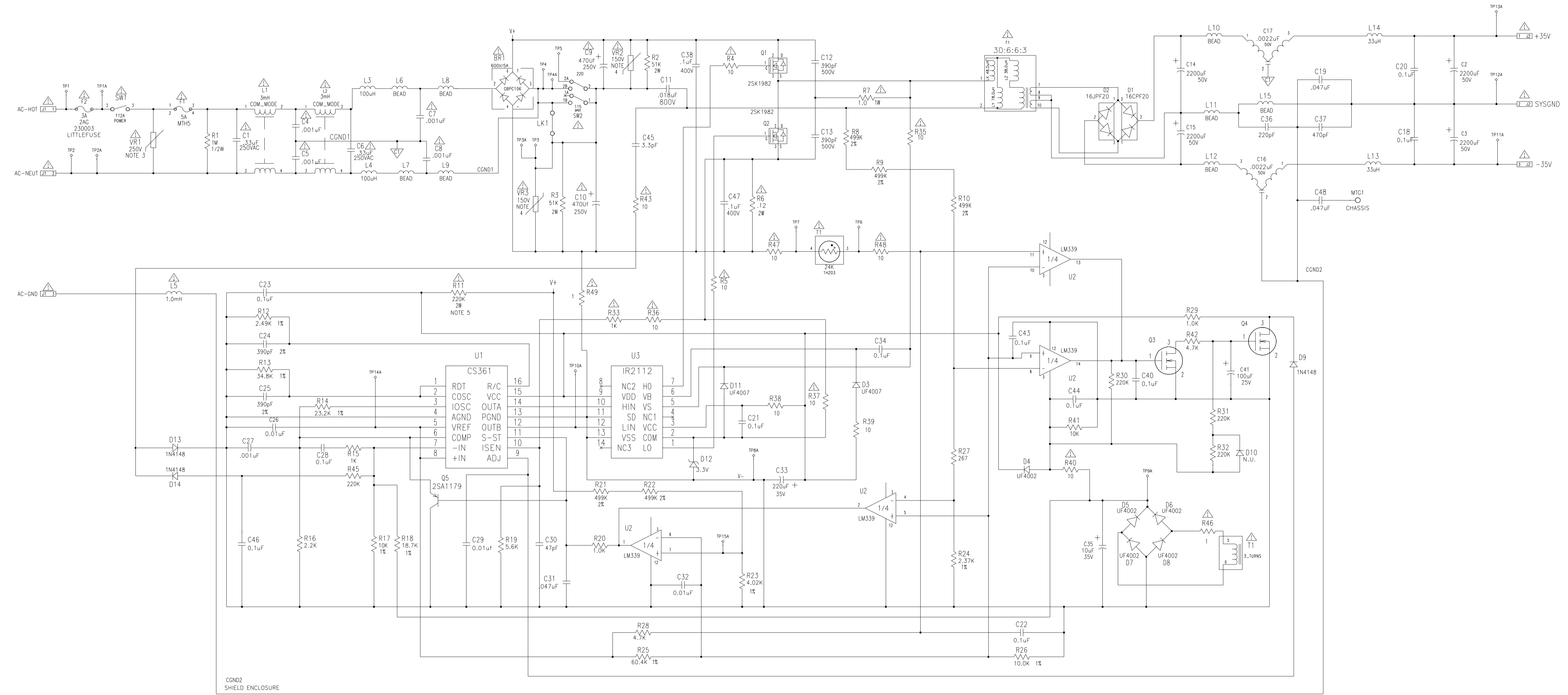


NOTES: UNLESS OTHERWISE SPECIFIED:
 1. RESISTORS ARE 1/10 W VALUES IN OHMS
 2. CAPACITOR VALUES ARE IN MICROFARADS.
 ⚠ NOTED COMPONENTS ARE SAFETY CONTROLLED AND MUST BE REPLACED WITH THE SAME PART ONLY.

	U306(LM339)	U309(LM339)
+15V	3	3
-15V	12	—
GND	—	12

THIS DRAWING IS BASED ON P-CAD DATA ALL CHANGES MUST BE MADE USING THE P-CAD FILES ATTACHED TO MD170134.

CLASS	DWG NO.	SR	REVISIONS				
SD	172432	1	REV	DESCRIPTION	CHK	ENG	DATE
			01	ECN-15391: BY DESIGN RESOURCES	OF/WA	OF	03/14/94
			02	ECN-15604: BY DESIGN RESOURCES	OF/WA	OF	4/22/94
			03	ECN-17061: BY DESIGN RESOURCES	OF/WA	OF	1/11/95
			04	ECN-18002: BY DESIGN RESOURCES	OF/WA	OF	6/02/95
			05	ECN-19313: DELETED D10, R27 WAS 1.0K	AH	MC	01/26/96
			06	ECN-20248: ADDED NOTE 5. R7 WAS 10 2W. R11 WAS 120K	AH	MC	07/30/96



CGND2
SHIELD ENCLOSURE

- NOTES:
- UNLESS OTHERWISE SPECIFIED RESISTORS ARE 5%
 - △ DENOTES CRITICAL SAFETY CONTROLLED COMPONENTS. REPLACE ONLY WITH IDENTICAL BOSE PARTS.
 - VR1 IS 150V FOR -1, 250V FOR -2 AND -6. (-1 MODEL IS US, -2 MODEL IS EUROPE, -6 MODEL IS MIL.)
 - VR2 AND VR3 ARE ONLY INSTALLED IN -2 AND -6 MODELS.
 - R11 = 120K ON JAPAN VARIATION.

THIS DRAWING IS BASED ON P-CAD DATA ALL CHANGES MUST BE MADE USING THE P-CAD FILES ATTACHED TO MD172432.

THIRD ANGLE PROJECTION 	LEVEL	DRAFTER	DATE
	3	DESIGN RESOURCES	12/93
UNLESS OTHERWISE SPECIFIED INTERPRET THIS DRAWING PER ANSI Y14.5M-1992	2	CHECKER	2/4/94
	1	ENGINEER	2/4/94
NOTICE BOSE CORP PROPRIETARY RIGHTS ARE INCLUDED HEREIN. THIS INFORMATION MAY NOT BE COPIED, TRANSMITTED OR DISCLOSED EXCEPT AS AUTHORIZED BY BOSE CORP	1	SAFETY ENGINEER	2/4/94
		REL TO PROD PER ECN19313 AT REV 05	01/26/96

SAFETY CONTROLLED				
FRAMINGHAM, MA 01701-9168				
TITLE PC BOARD, 901P, SMPS				
SIZE	FSCM	CLASS	DWG NO.	REV
D	32108	SD	172432	06
SCALE	CAT. CODE	SHEET 1 OF 1		