

**SUPPLEMENT**

**ACM-1 Amplifier Control Module**

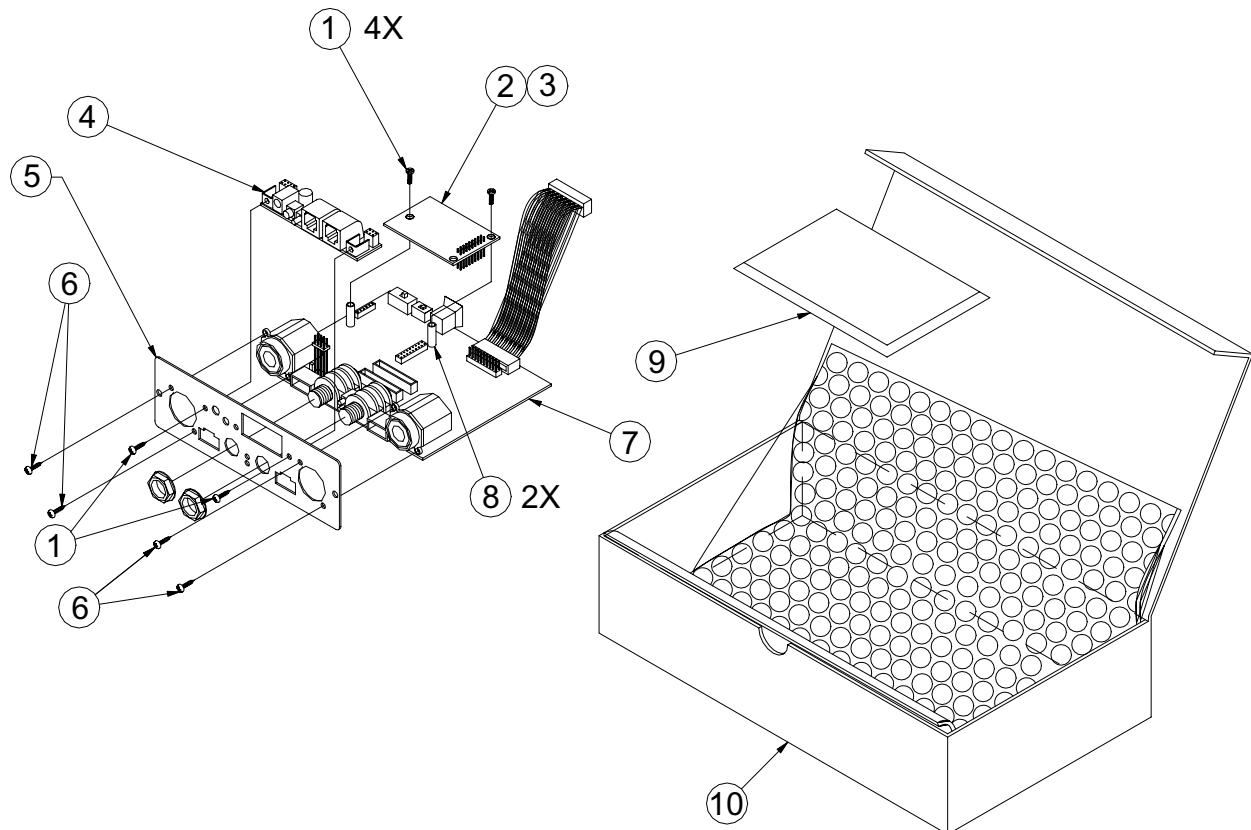
The part numbers listed in the table below have changed. Be sure to note these changes in the Electrical Part List of the ACM-1 service manual, part number 199746.

Reference Designator	Description	Part Number	Note
R96	332 OHM, 0805, 1/10W, 1%	173767-332R	NOT USED
C1	1000pF, 0805, COG, 50V, 5%	133622-102	ADDED
C35	2.2 uF, EL, 85C, 50V, 20%	149947-2R2H	NOT USED
C53	.10uF, 0805, Y5V, 25V, 80%	133624	ADDED
C64	.10uF, 0805, Y5V, 25V, 80%	133624	ADDED

The part numbers listed in the table below have changed. Be sure to note these changes in the Main Part List of the ACM-1 service manual, part number 199746. The Electrical Part List for the Bose Control Module is on the back of this sheet.

ACM-1 Amplifier Control Module (see Figure 10)

Item Number	Description	Part Number	Qty.	Note
2	MODULE, BOSE CONTROL, BCM-FT	198439-000E	1	REPLACEMENT FOR 193966-01
2	MODULE, NEURON, TPFT-10F, ECHELON P/N: 55020-10	193966-01	1	ALTERNATE FOR 198439-000E



**Figure 10. ACM-1 Amplifier Control Module Exploded View**

# BOSE® CONTROL MODULE ELECTRICAL PART LIST

## Resistors

Reference Designator	Description	Part Number	Note
R1	JUMPER, CHIP	124896	
R2	274 OHM, 0805, 1/10W, 1%	133625-2740	
R3	274 OHM, 0805, 1/10W, 1%	133625-2740	
R4	274 OHM, 0805, 1/10W, 1%	133625-2740	
R41	100K, CHIP, 0805, 1%	133625-1003	

## Capacitors

Reference Designator	Description	Part Number	Note
C1	.10uF, 0805, Y5V, 25V, 80%	133624	
C2	33pF, 0805, COG, 50V, 5%	133622-330	
C3	.10uF, 0805, Y5V, 25V, 80%	133624	
C4	.10uF, 0805, Y5V, 25V, 80%	133624	
C5	22uF, TANT SMD, 10V, 10%	196981-A226C1	
C6	.10uF, 0805, Y5V, 25V, 80%	133624	
C7	.10uF, 0805, Y5V, 25V, 80%	133624	
C8	.10uF, 0805, Y5V, 25V, 80%	133624	
C9	.10uF, 0805, Y5V, 25V, 80%	133624	
C10	.10uF, 0805, Y5V, 25V, 80%	133624	
C11	.10uF, 0805, Y5V, 25V, 80%	133624	
C12	22uF, EL, 5.5MM, 85C, 25V	177902-220E	
C13	68pF, 0805, COG, 50V, 5%	133622-680	
C14	68pF, 0805, COG, 50V, 5%	133622-680	
C15	.10uF, 0805, Y5V, 25V, 80%	133624	
C18	.001uF, CER, 125C, 2K	193532	
C19	22uF, EL, 5.5MM, 85C, 25V	177902-220E	
C20	33pF, 0805, COG, 50V, 5%	133622-330	

## Diodes

Reference Designator	Description	Part Number	Note
CR1	BAV99, SOT23	147239	
CR2	BAV99, SOT23	147239	
CR3	BAV99, SOT23	147239	
CR4	BAV99, SOT23	147239	

## Integrated Circuits

Reference Designator	Description	Part Number	Note
U1	QUAD, OR GATE, SOIC-14, 74AC32	191934	
U2	CMOS, SRAM, SOIC-28, 32KX8	191949	
U3	NAND, QUAD, SOIC-14, 74AC00	193889	
U4	NEURON, PQFP-64, MC143150B1FU	191961	
U5	FL PEROM, PGRM, 512K, 70NS	252421-001	
U6	PWR ET, SOT223, DS1233Z-5	193530	
TRS1	XCVR, FREE TOPOLOGY, FTT-10A	191932	

## Miscellaneous

Reference Designator	Description	Part Number	Note
Y1	CRYSTAL, SMD, 10MHZ, 30pF	194021-10R0C30	
US5	SOCKET, IC, PLCC-32	191933	
P1	CONN, 2X9, .1 CTC	193533	
P2	CONN, 6X1, .1 CTC	193534	