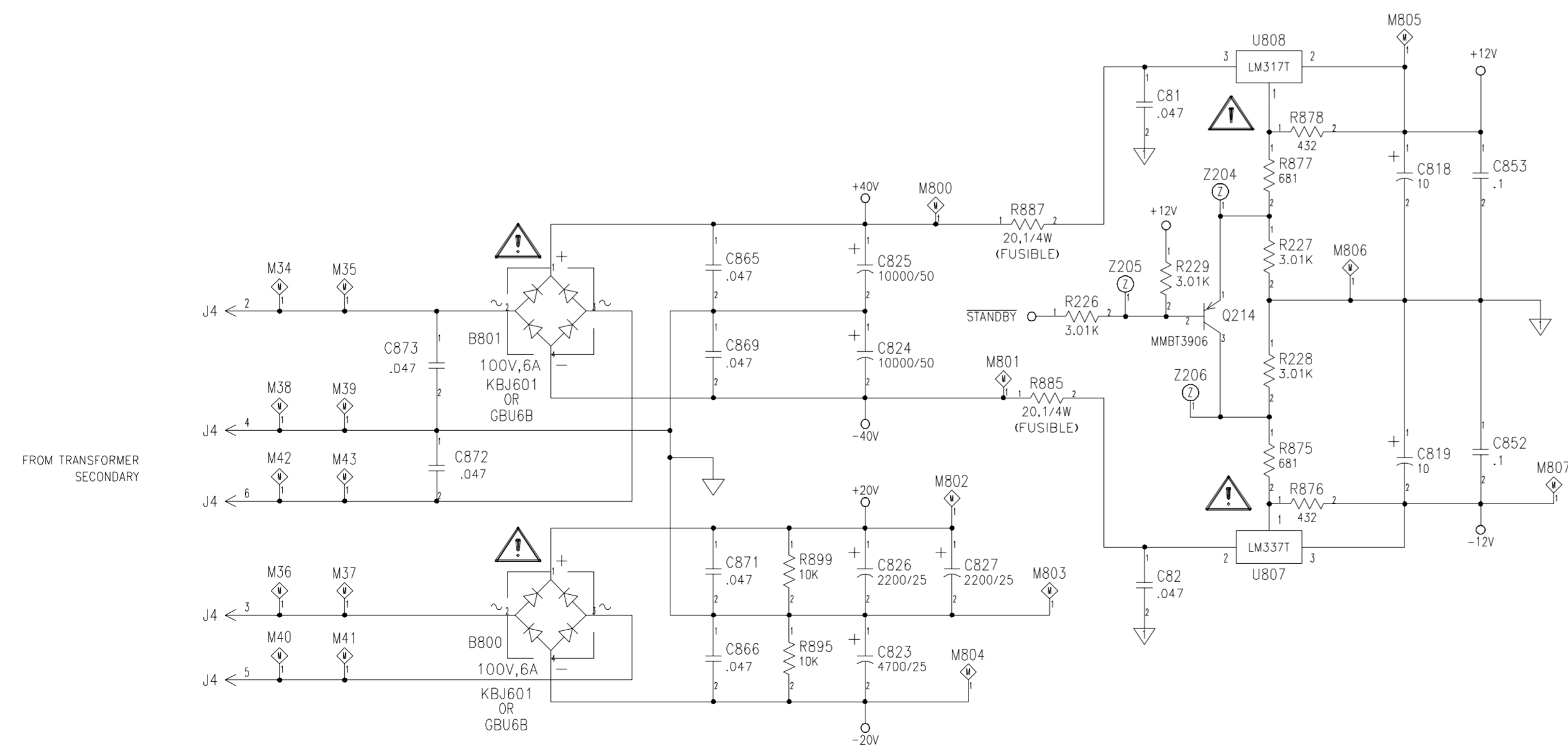
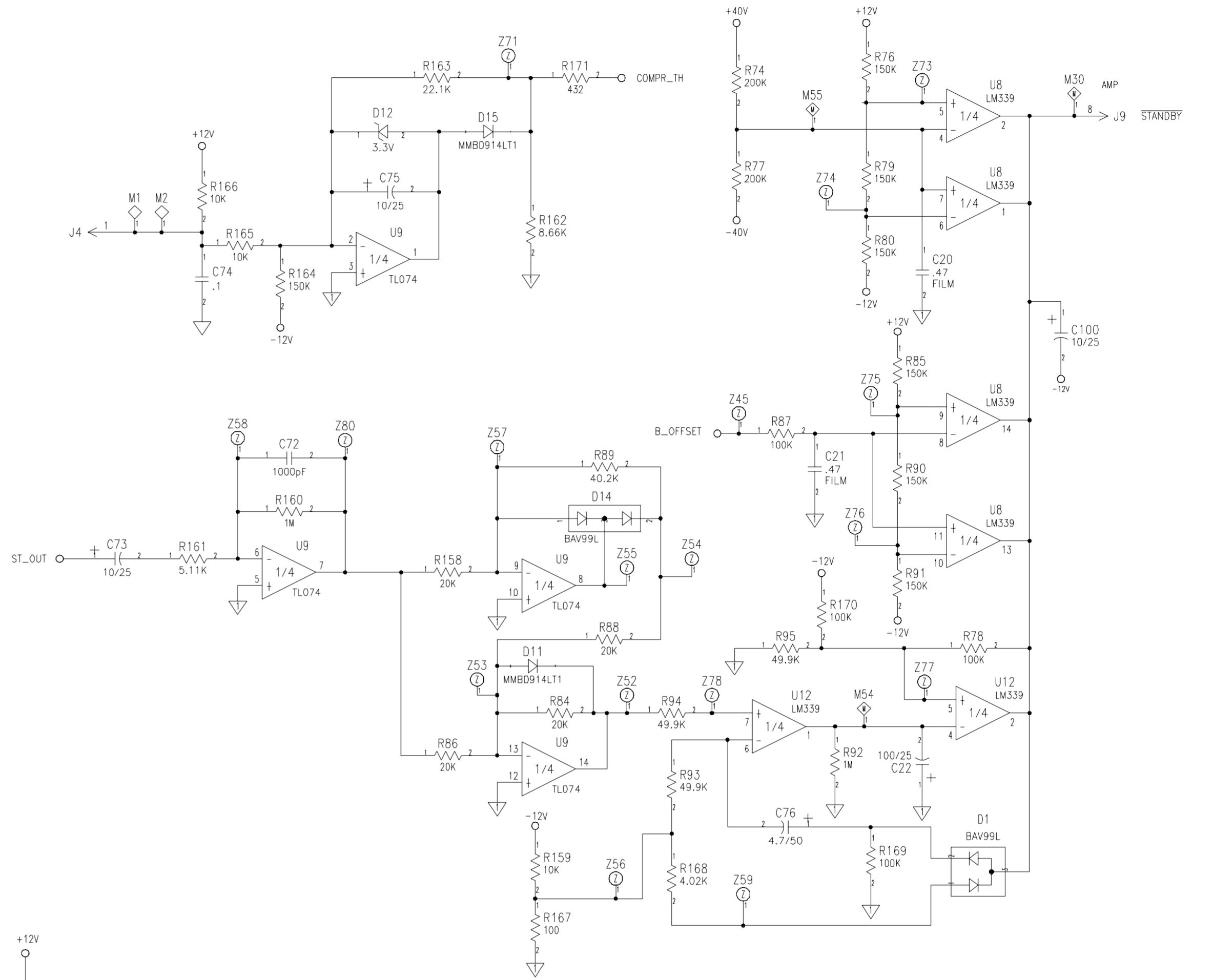
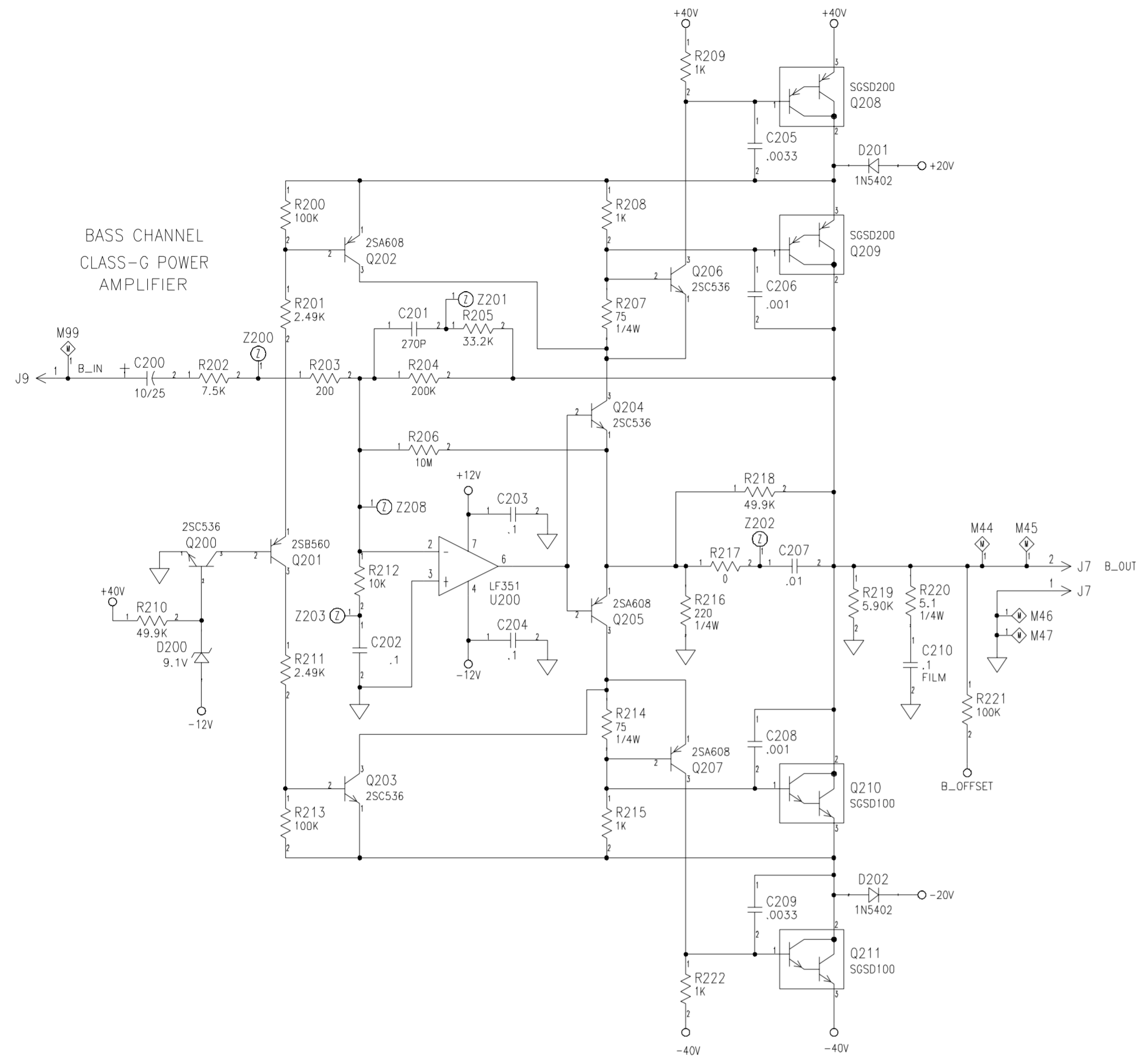


CLASS	DWG NO.	SR	REVISIONS				
SD	194259	1	REV	DESCRIPTION	CHK	ENG	DATE
			01	REVISED PER ECN # 24193	BB	BC	06-02-98
			02	REVISED PER ECN # 24197	BB	BC	06-08-98
			03	REVISED PER ECN # 24524	BB	BC	08-07-98

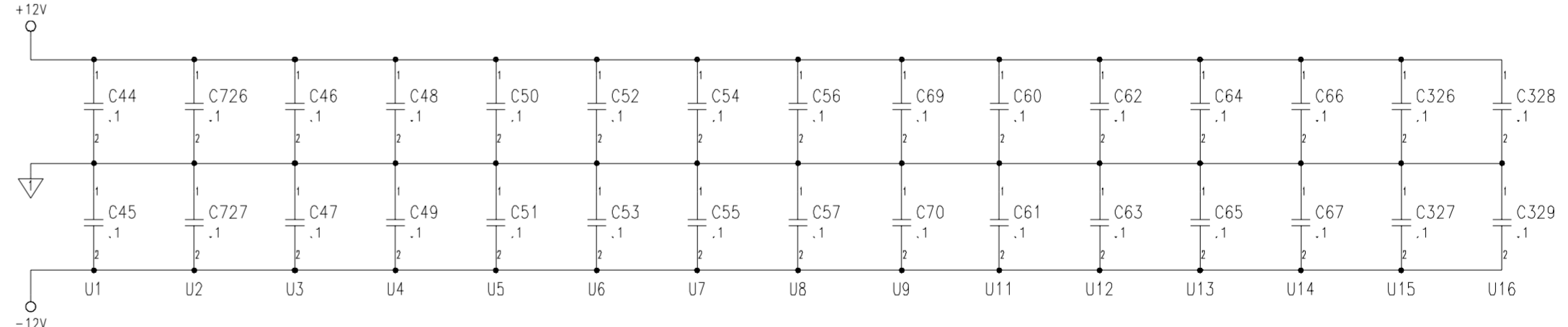
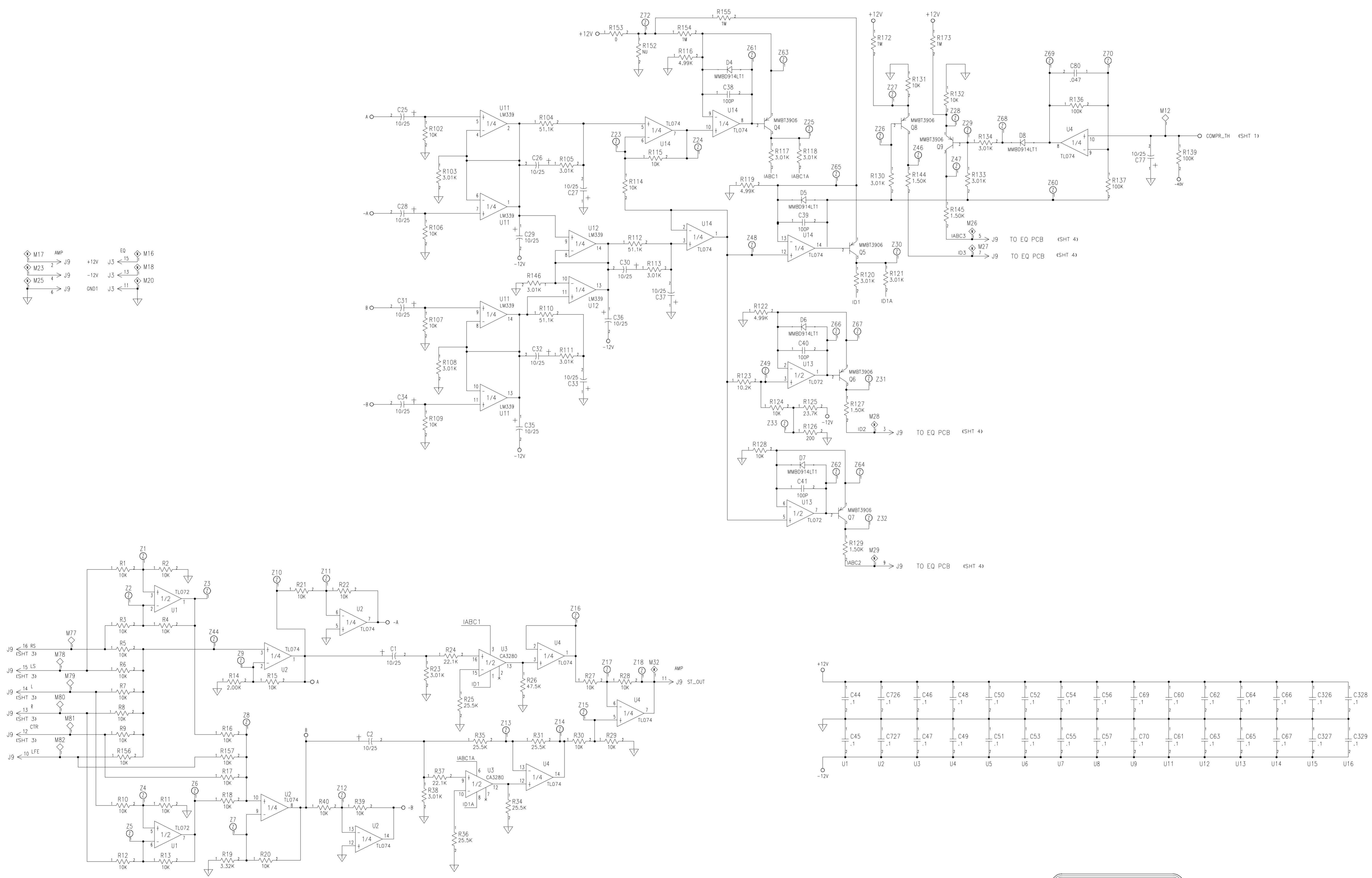
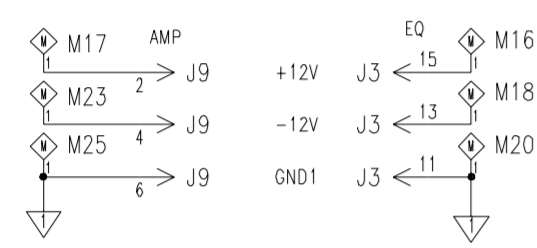


- NOTES:  
 UNLESS OTHERWISE SPECIFIED:  
 1. ALL RESISTORS ARE EXPRESSED IN OHMS.  
 2. ALL CAPACITORS ARE EXPRESSED IN MICROFARADS.  
 3. ALL CAPACITORS ARE CERAMIC CHIPS.  
 4.  
 5.  $\diamond$  DENOTES TEST POINTS FOR M.E.T.S.  
 6. US VERSION: INSTALL Y2 AND Y3.  
 EURO VERSION: INSTALL Y4, DO NOT INSTALL Y2 AND Y3.  
 7. CA3280 PIN 4 = -12V, PINS 11 & 14 = +12V.  
 8. LM339 PIN 3 = +12V, PIN 12 = -12V.  
 9. TL072 PIN 4 = -12V, PIN 8 = +12V, TL074 PIN 4 = +12V, PIN 11 = -12V.  
 10. F1 = 3.0A FOR U.S. VERSION.  
 F1 = 1.6A FOR EURO VERSION

THIS DRAWING IS BASED ON P-CAD DATA ALL CHANGES MUST BE MADE USING THE P-CAD FILES ATTACHED TO MD194259.

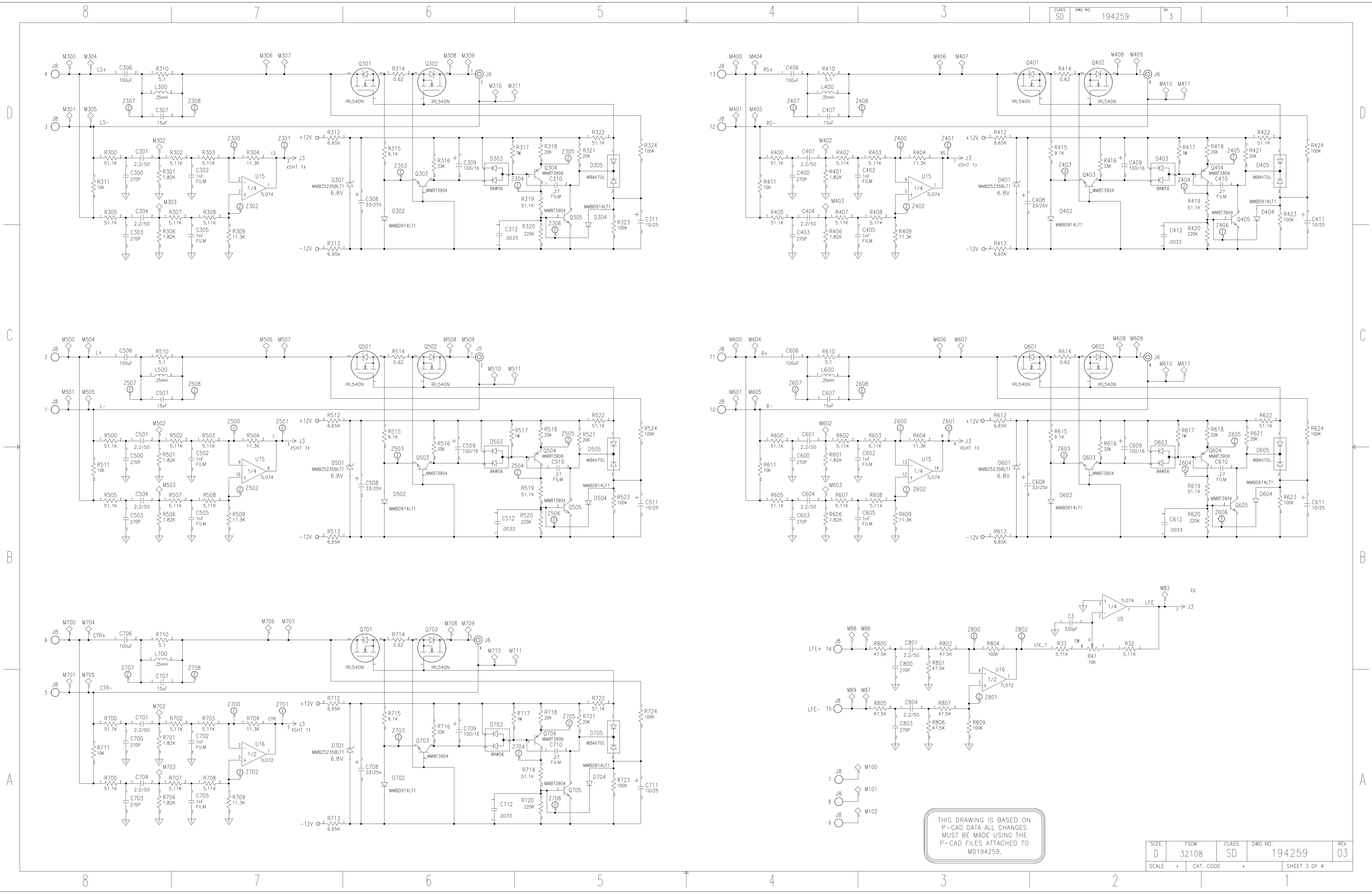
THIRD ANGLE PROJECTION 	LEVEL	DRAFTER	DATE
	3	CHECKER	05/05/98
	2	ENGINEER	05/06/98
NOTICE BOSE CORP. PROPRIETARY RIGHTS ARE INCLUDED HEREIN. THIS INFORMATION MAY NOT BE COPIED, TRANSFERRED, OR DISCLOSED EXCEPT AS AUTHORIZED BY BOSE CORP.	1	SAFETY ENGINEER	05/06/98
	REL TO PROD PER NDR828	AT REV 03	9/8/98

SAFETY CONTROLLED				
FRAMINGHAM, MA 01701-9168				
TITLE PC BOARD, AM15				
SIZE D	FSCM 32108	CLASS SD	DWG NO. 194259	REV 03
SCALE N A	CAT. CODE	SHEET 1 OF 4		



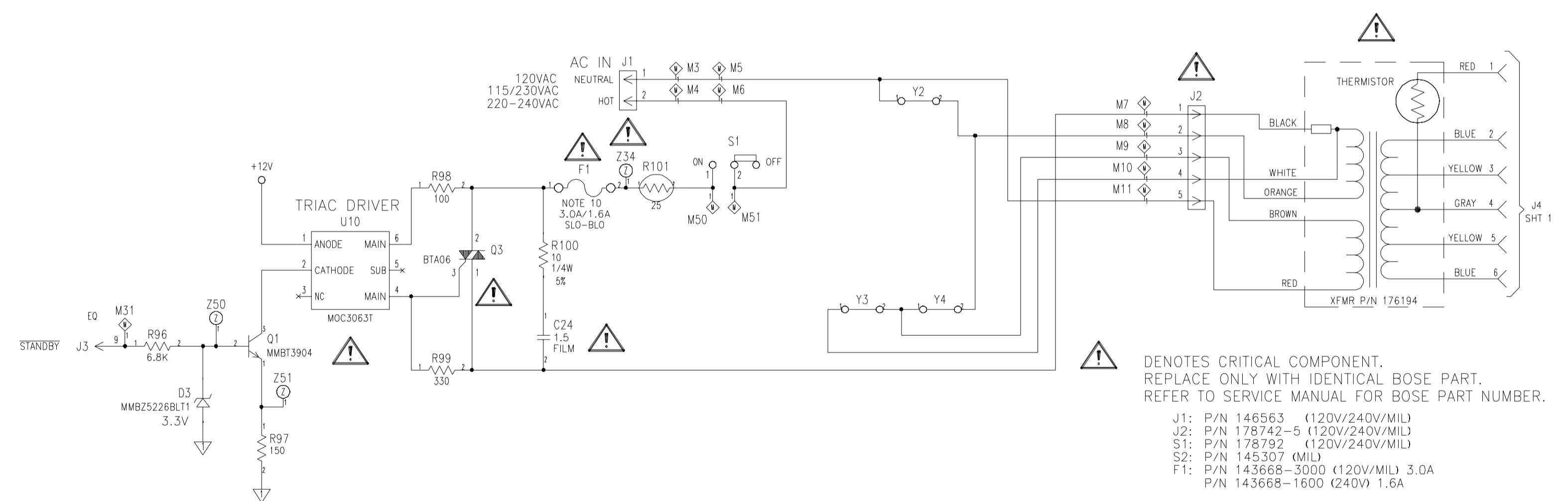
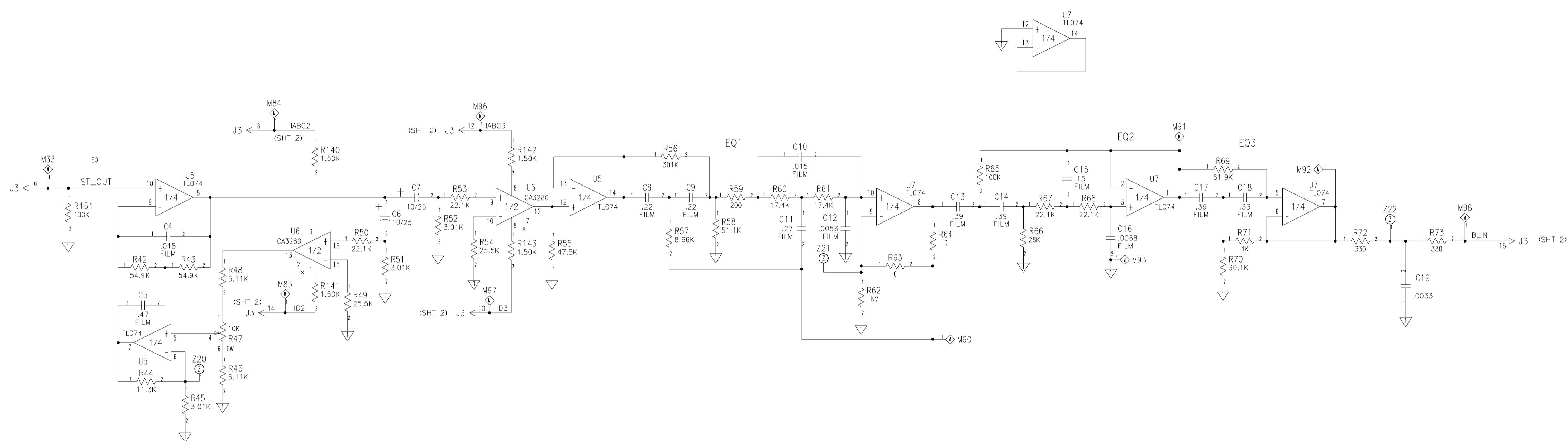
THIS DRAWING IS BASED ON P-CAD DATA ALL CHANGES MUST BE MADE USING THE P-CAD FILES ATTACHED TO MD194259.

SIZE D	FSCM 32108	CLASS SD	DWG NO. 194259	REV 03
SCALE	CAT. CODE	SHEET 2 OF 4		



THIS DRAWING IS BASED ON P-CAD DATA ALL CHANGES MUST BE MADE USING THE P-CAD FILES ATTACHED TO MD194259.

SIZE	FSCM	CLASS	DWG NO.	REV
D	32108	SD	194259	03
SCALE	CAT. CODE	SHEET 3 OF 4		



! DENOTES CRITICAL COMPONENT.  
 REPLACE ONLY WITH IDENTICAL BOSE PART.  
 REFER TO SERVICE MANUAL FOR BOSE PART NUMBER.

J1: P/N 146563 (120V/240V/MIL)  
 J2: P/N 178742-5 (120V/240V/MIL)  
 S1: P/N 178792 (120V/240V/MIL)  
 S2: P/N 145307 (MIL)  
 F1: P/N 143668-3000 (120V/MIL) 3.0A  
 P/N 143668-1600 (240V) 1.6A

THIS DRAWING IS BASED ON P-CAD DATA ALL CHANGES MUST BE MADE USING THE P-CAD FILES ATTACHED TO MD194259.

SIZE	FSCM	CLASS	DWG NO.	REV
D	32108	SD	194259	03
SCALE	CAT. CODE	SHEET 4 OF 4		