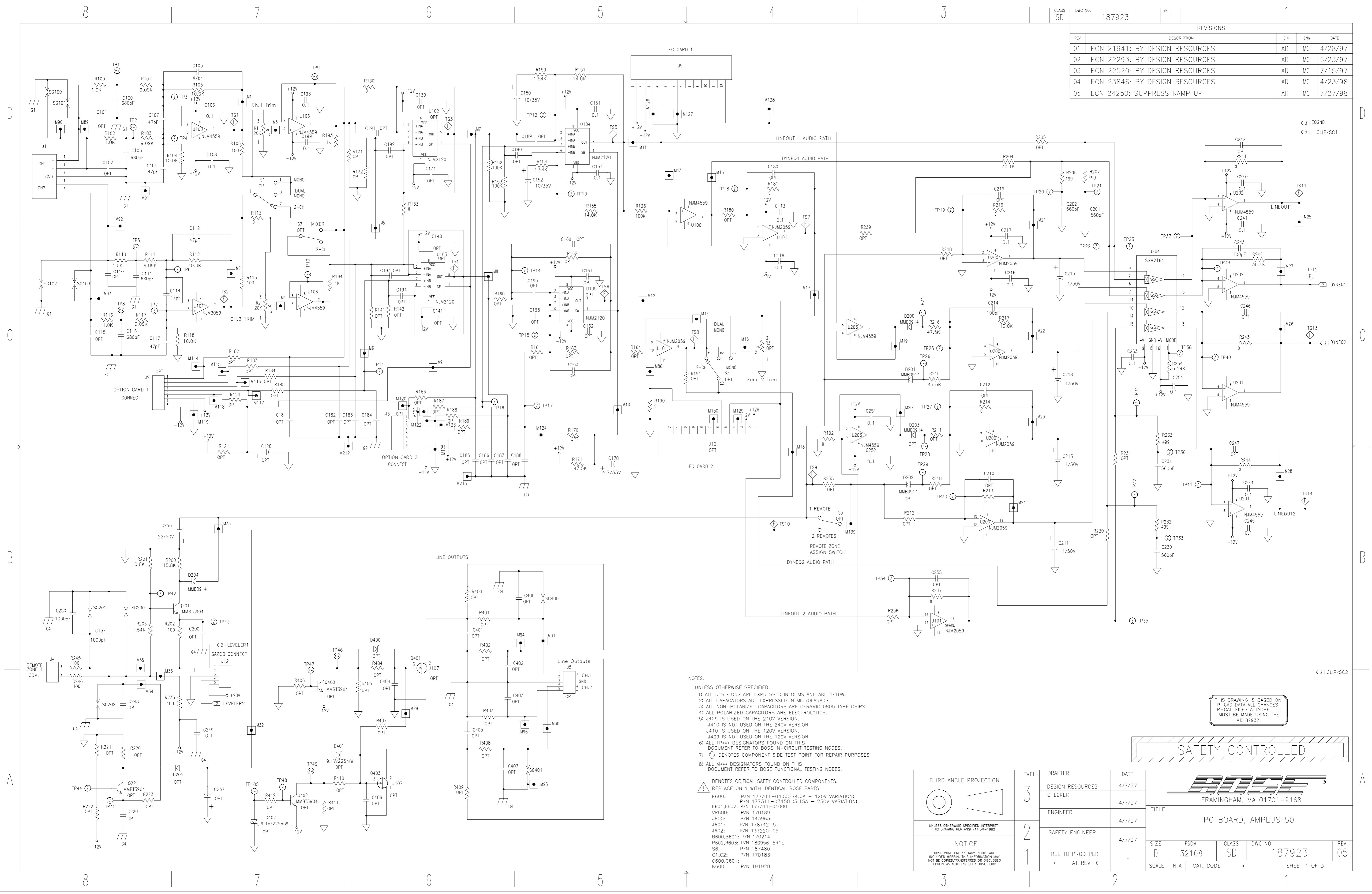


CLASS	DWG NO.	SM	REVISIONS				
SD	187923	1	REV	DESCRIPTION	CHK	ENG	DATE
			01	ECN 21941: BY DESIGN RESOURCES	AD	MC	4/28/97
			02	ECN 22293: BY DESIGN RESOURCES	AD	MC	6/23/97
			03	ECN 22520: BY DESIGN RESOURCES	AD	MC	7/15/97
			04	ECN 23846: BY DESIGN RESOURCES	AD	MC	4/23/98
			05	ECN 24250: SUPPRESS RAMP UP	AH	MC	7/27/98



- NOTES:
- UNLESS OTHERWISE SPECIFIED:
    - ALL RESISTORS ARE EXPRESSED IN OHMS AND ARE 1/10W.
    - ALL CAPACITORS ARE EXPRESSED IN MICROFARADS.
    - ALL NON-POLARIZED CAPACITORS ARE CERAMIC 0805 TYPE CHIPS.
    - ALL POLARIZED CAPACITORS ARE ELECTROLYTICS.
    - J409 IS USED ON THE 240V VERSION.
    - J410 IS NOT USED ON THE 240V VERSION.
    - J410 IS USED ON THE 120V VERSION.
    - J409 IS NOT USED ON THE 120V VERSION.
  - ALL TP\*\*\* DESIGNATORS FOUND ON THIS DOCUMENT REFER TO BOSE IN-CIRCUIT TESTING NODES.
  - ◇ DENOTES COMPONENT SIDE TEST POINT FOR REPAIR PURPOSES
  - ALL M\*\*\* DESIGNATORS FOUND ON THIS DOCUMENT REFER TO BOSE FUNCTIONAL TESTING NODES.
  - △ DENOTES CRITICAL SAFETY CONTROLLED COMPONENTS. REPLACE ONLY WITH IDENTICAL BOSE PARTS.
- F600: P/N 177311-04000 (4.0A - 120V VARIATION)  
 P/N 177311-03150 (3.15A - 230V VARIATION)  
 F601,F602: P/N 177311-04000  
 VR600: P/N 170189  
 J600: P/N 143963  
 J601: P/N 178742-5  
 J602: P/N 133220-05  
 B600,B601: P/N 170214  
 B602,B603: P/N 180956-5R1E  
 S6: P/N 187480  
 C1,G2: P/N 170183  
 C600,C601: P/N 191928  
 K600: P/N 191928

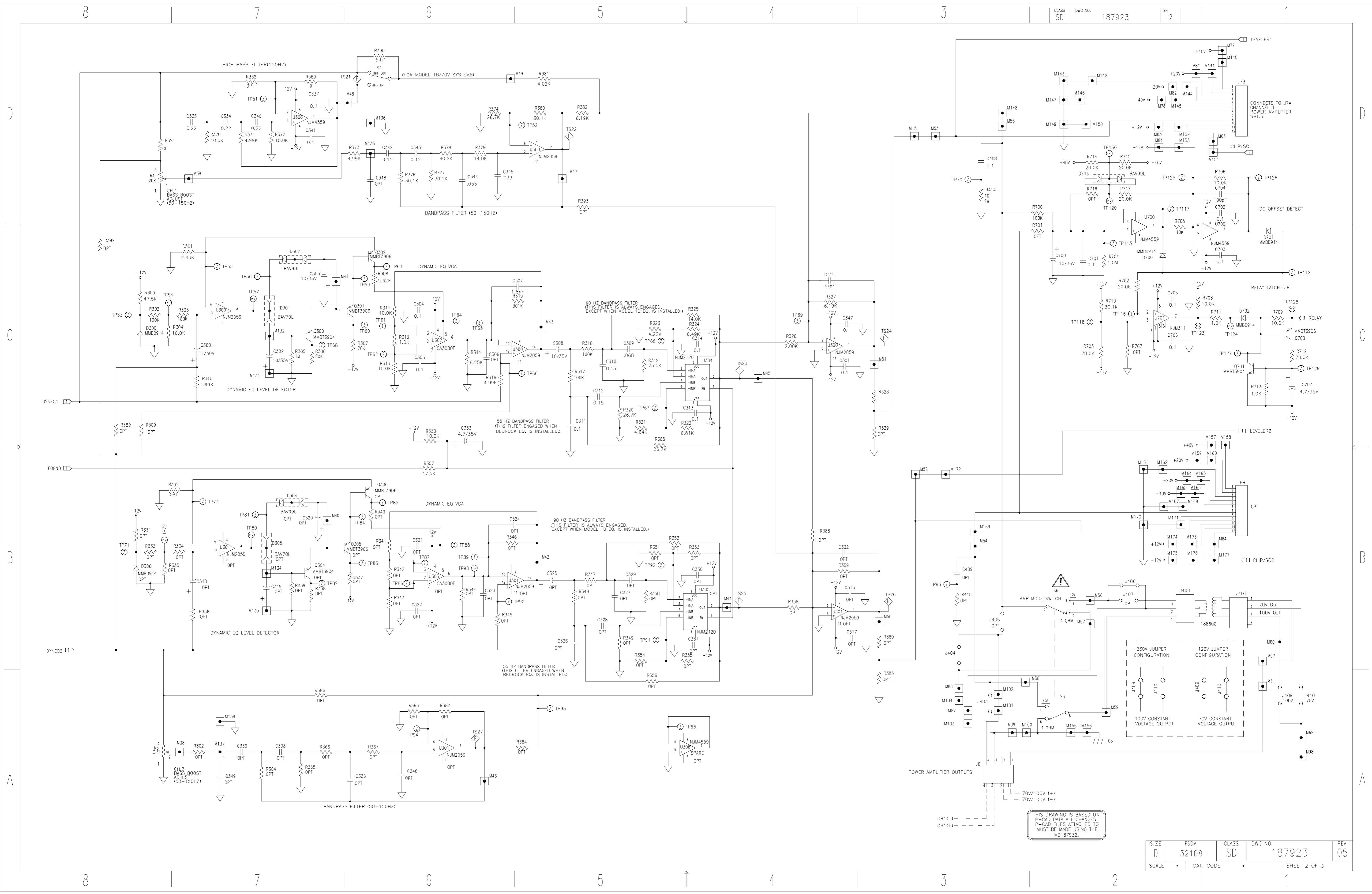
THIS DRAWING IS BASED ON P-CAD DATA. ALL CHANGES P-CAD FILES ATTACHED TO MUST BE MADE USING THE MD187932.

**SAFETY CONTROLLED**

THIRD ANGLE PROJECTION 	LEVEL	DRAFTER	DATE	TITLE	SIZE	FSCM	CLASS	DWG NO.	REV
	3	DESIGN RESOURCES	4/7/97						
UNLESS OTHERWISE SPECIFIED INTERPRET THIS DRAWING PER ANSI Y14.5M-1982	2	CHECKER	4/7/97						
	1	ENGINEER	4/7/97						
NOTICE BOSE CORP PROPRIETARY RIGHTS ARE INCLUDED HEREIN. THIS INFORMATION MAY NOT BE COPIED, TRANSMITTED OR DISCLOSED EXCEPT AS AUTHORIZED BY BOSE CORP.	1	SAFETY ENGINEER	4/7/97						
		REL TO PROD PER							
		AT REV 0							
	SCALE	N A	CAT. CODE						

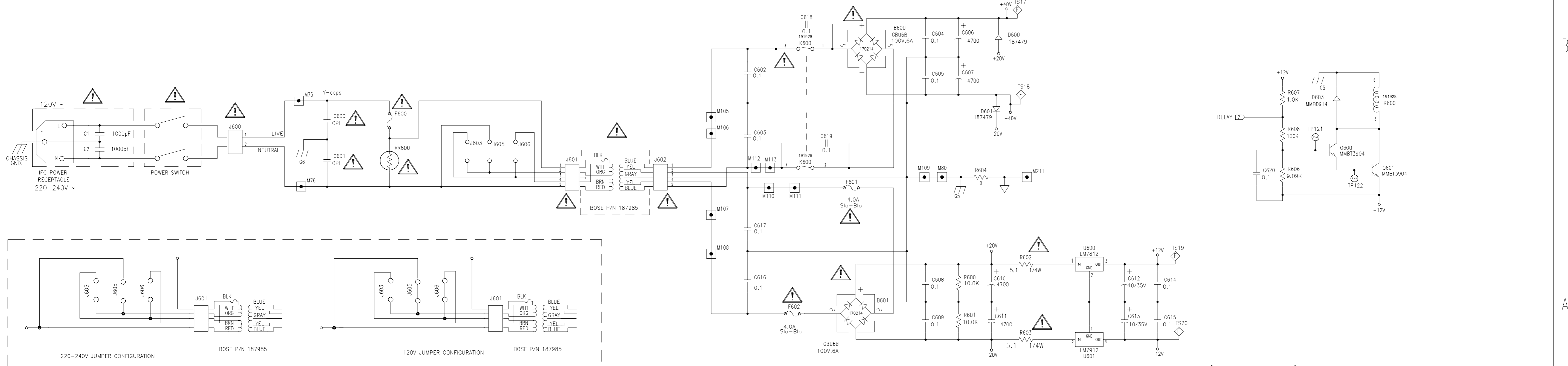
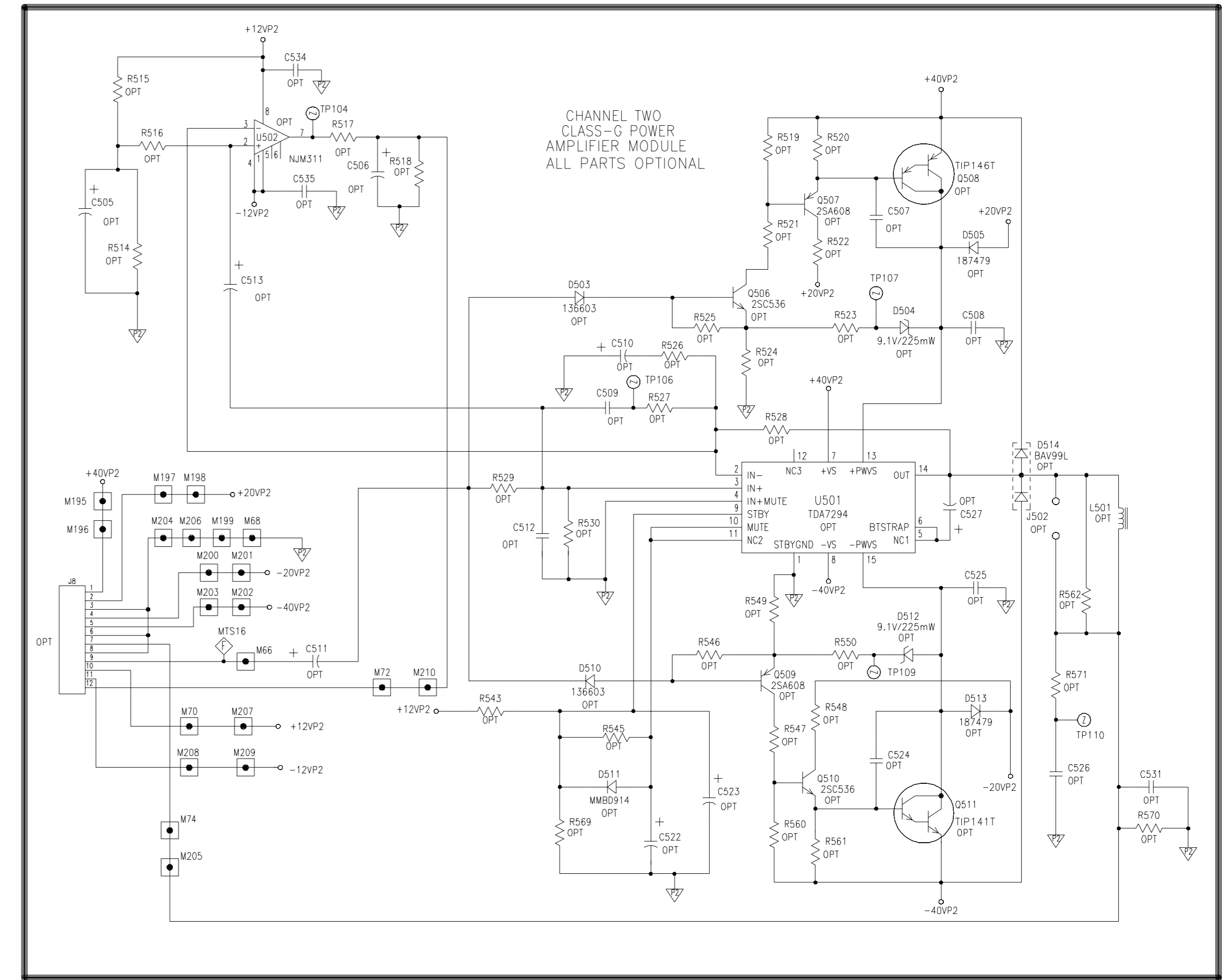
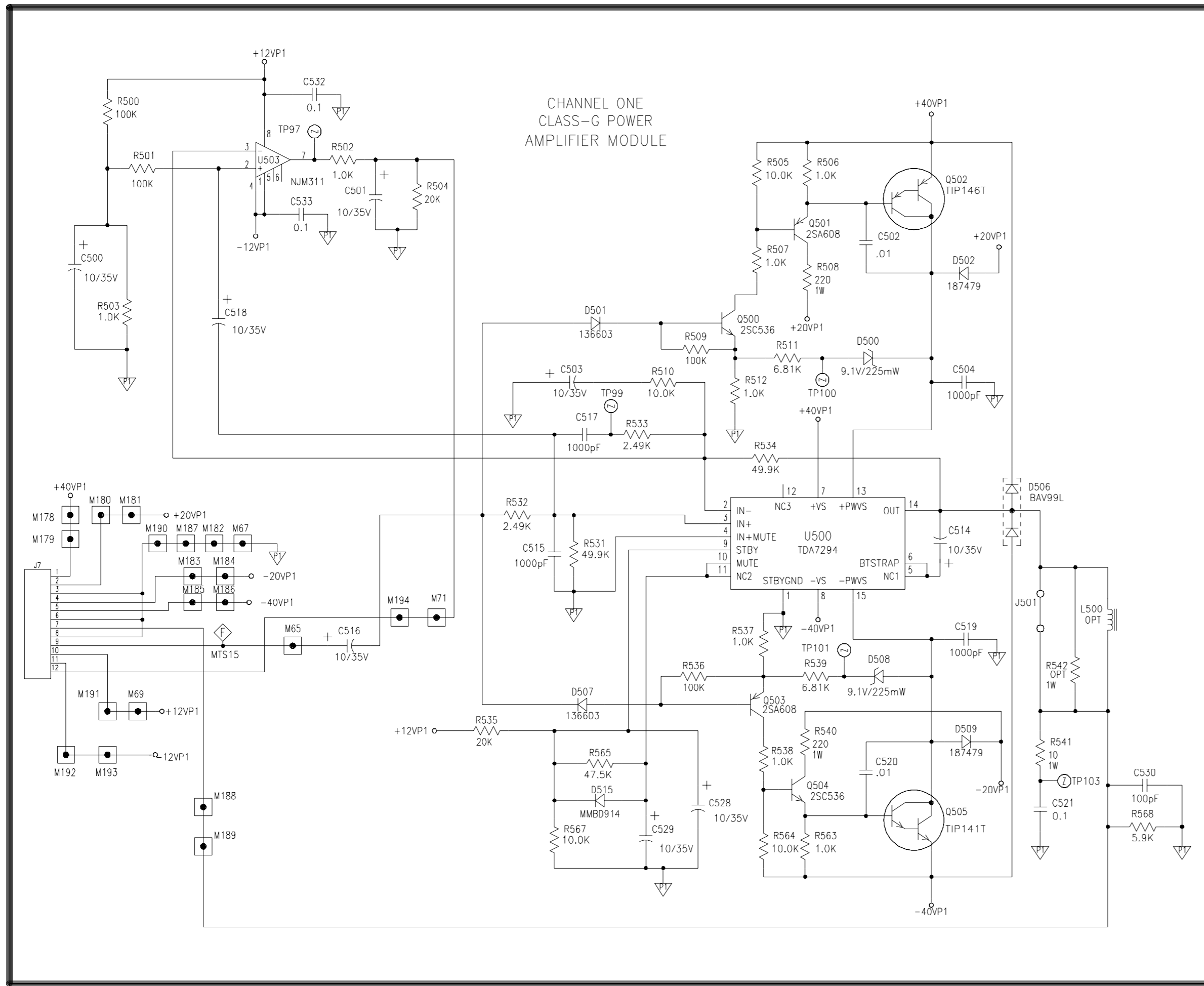


SCALE	N A	CAT. CODE			



THIS DRAWING IS BASED ON P-CAD DATA ALL CHANGES P-CAD FILES ATTACHED TO MUST BE MADE USING THE MD187932.

SIZE	FSCM	CLASS	DWG NO.	REV
D	32108	SD	187923	05
SCALE	CAT. CODE	SHEET 2 OF 3		



THIS DRAWING IS BASED ON P-CAD DATA ALL CHANGES TO P-CAD FILES ATTACHED TO MUST BE MADE USING THE M187932.

SIZE D	FSCM 32108	CLASS SD	DWG NO. 187923	REV 05
SCALE	CAT. CODE	SHEET 3 OF 3		