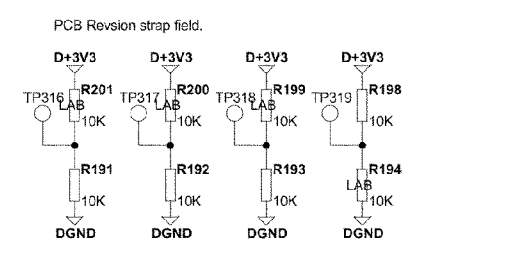
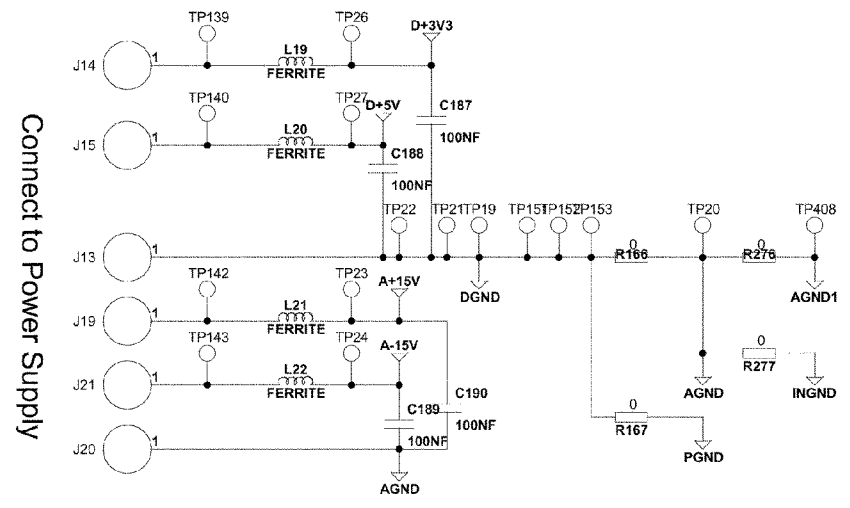
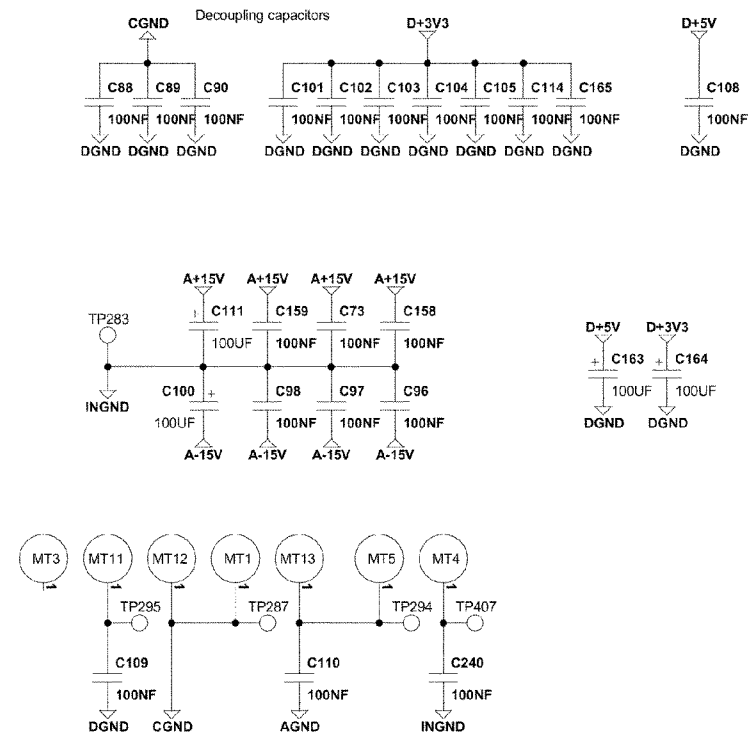
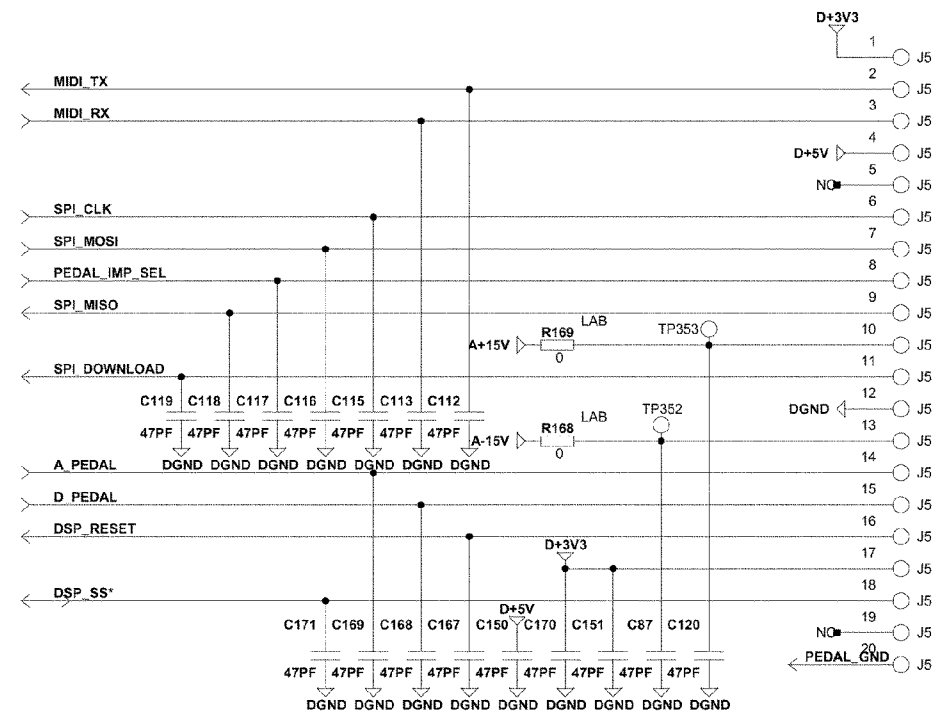
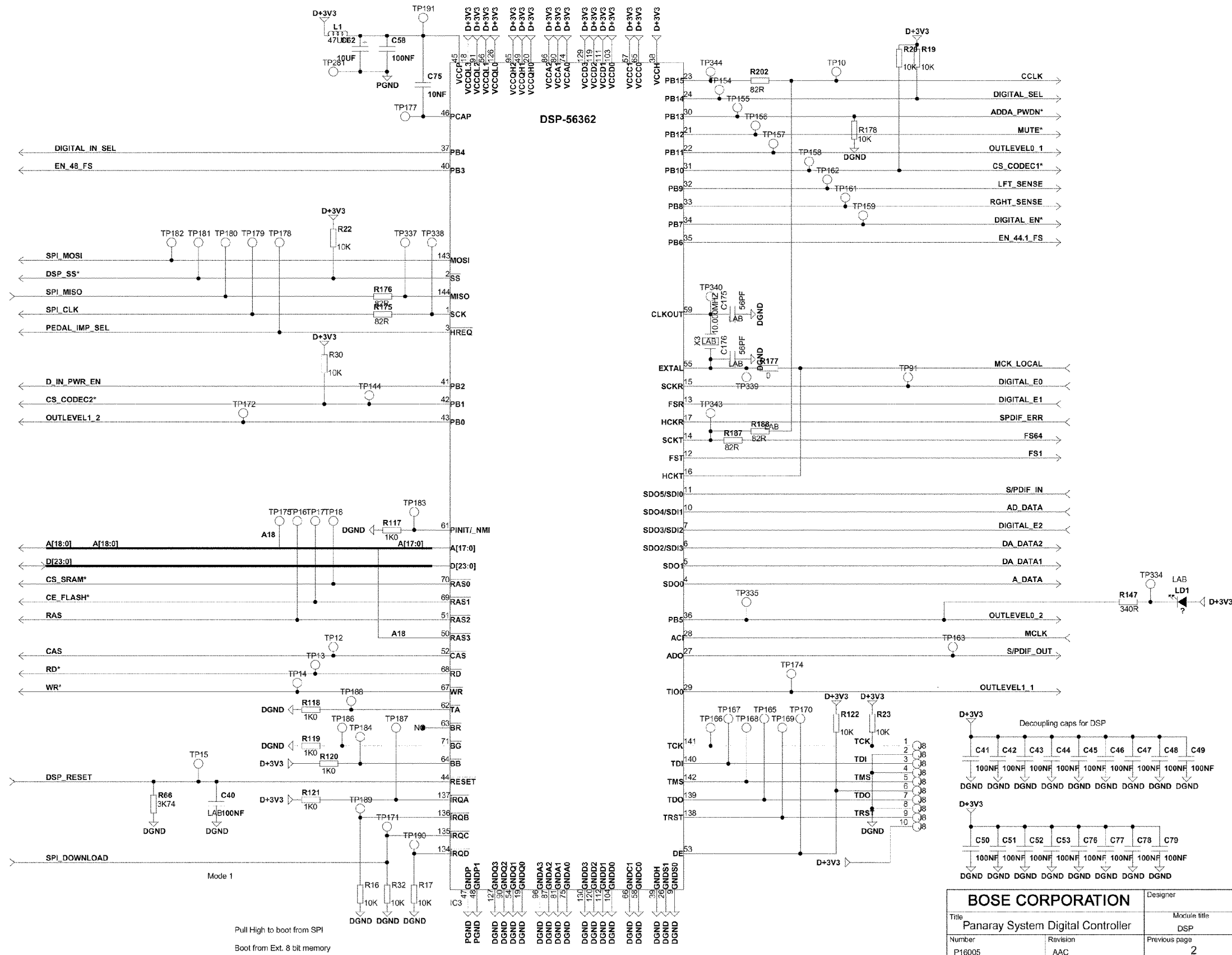


BOSE CORPROATION		Designer
Title Panaray System Digital Controller		Module title BLOCK LEVEL SCHEMATIC
Number P16005	Revision AAC	Previous page
Date 5/2002	Filename MAINBOARD	Page / of 1 / 14

Connect to Front

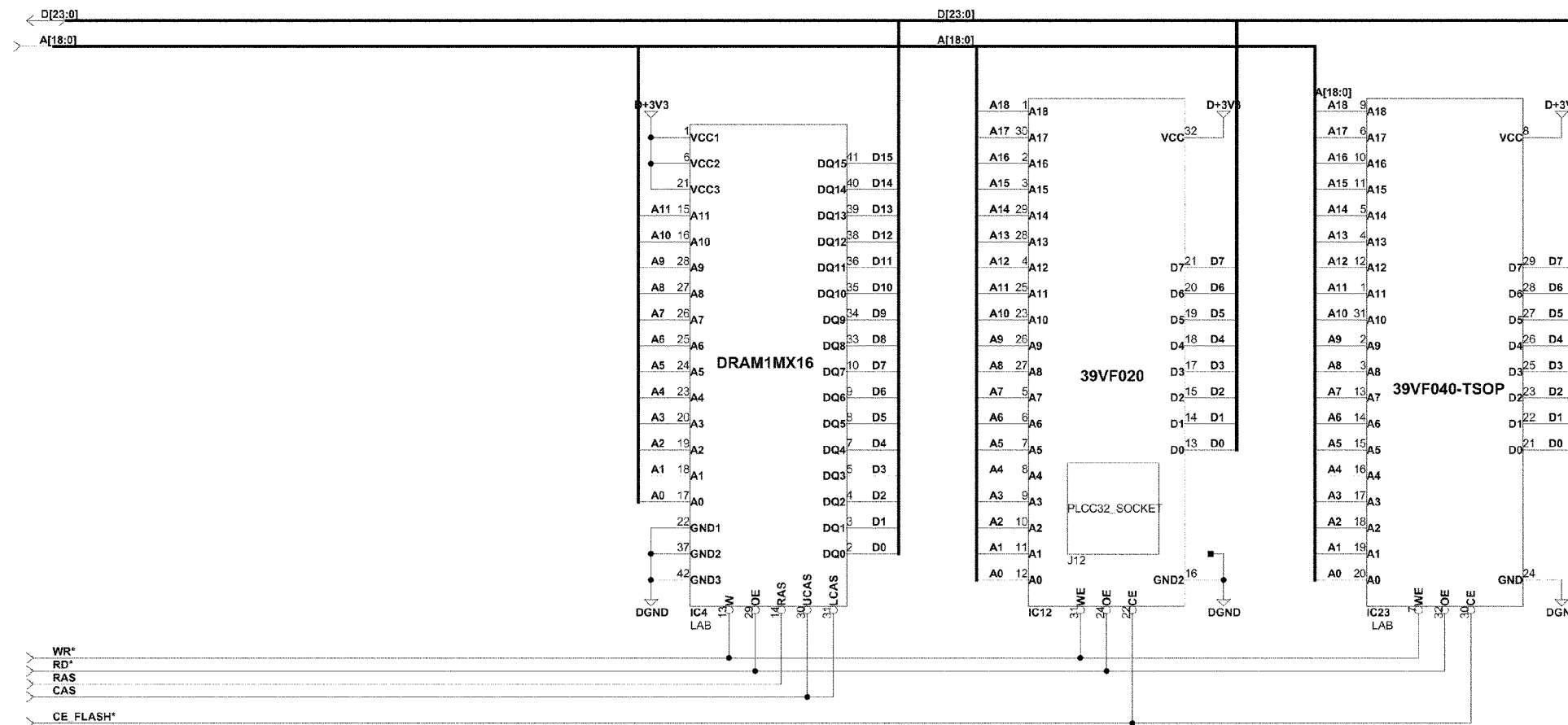
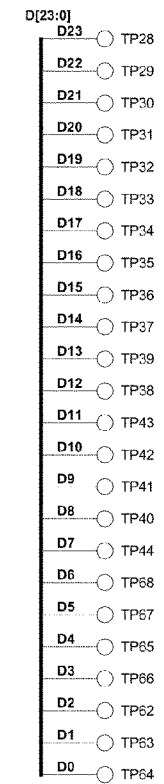
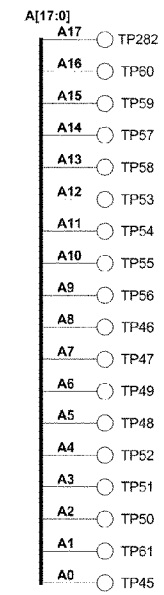
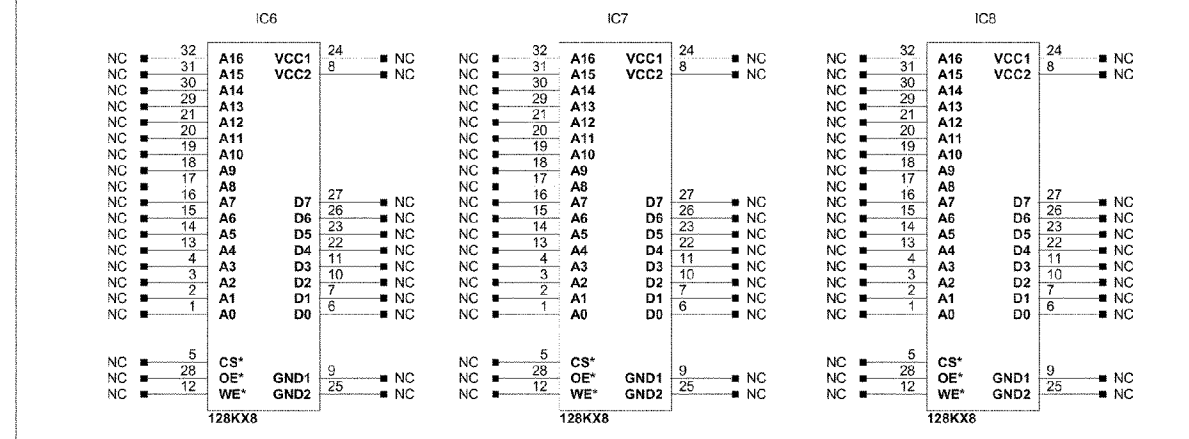


BOSE CORPROATION		Designer
Title Panaray System Digital Controller	Module title INTERFACE TO FRONT AND POWER	
Number P16005	Revision AAC	Previous page 1
Date 5/2002	Filename INTERFACE	Page / of 2 / 14



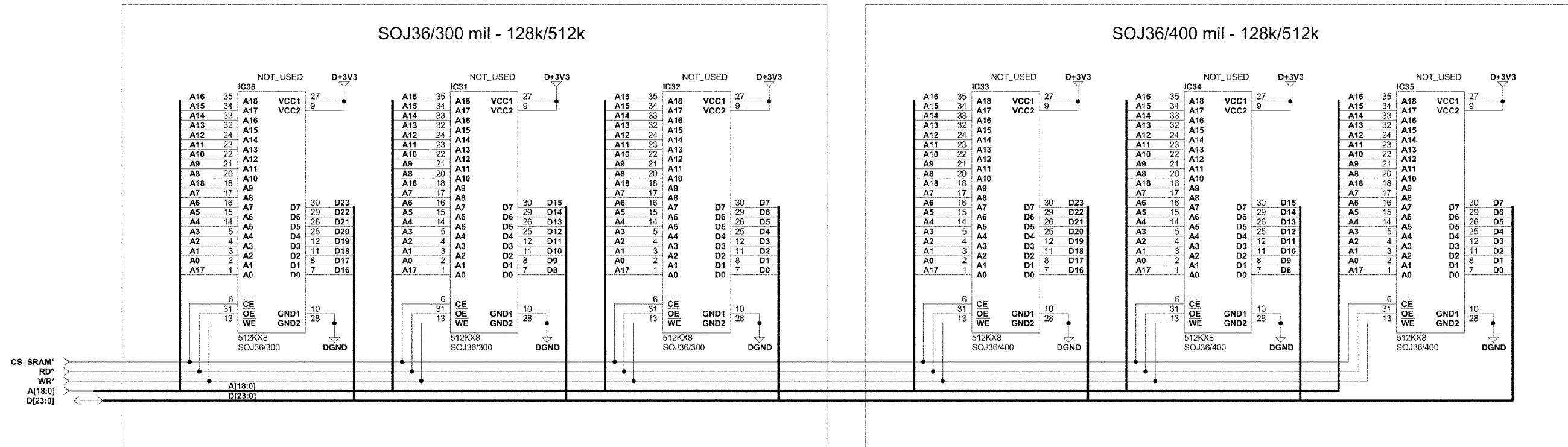
BOSE CORPORATION		Designer
Title Panaray System Digital Controller		Module title DSP
Number P16005	Revision AAC	Previous page 2
Date 5/2002	Filename DSP	Page / of 3 / 14

These devices defines the SRAM on the Partlist



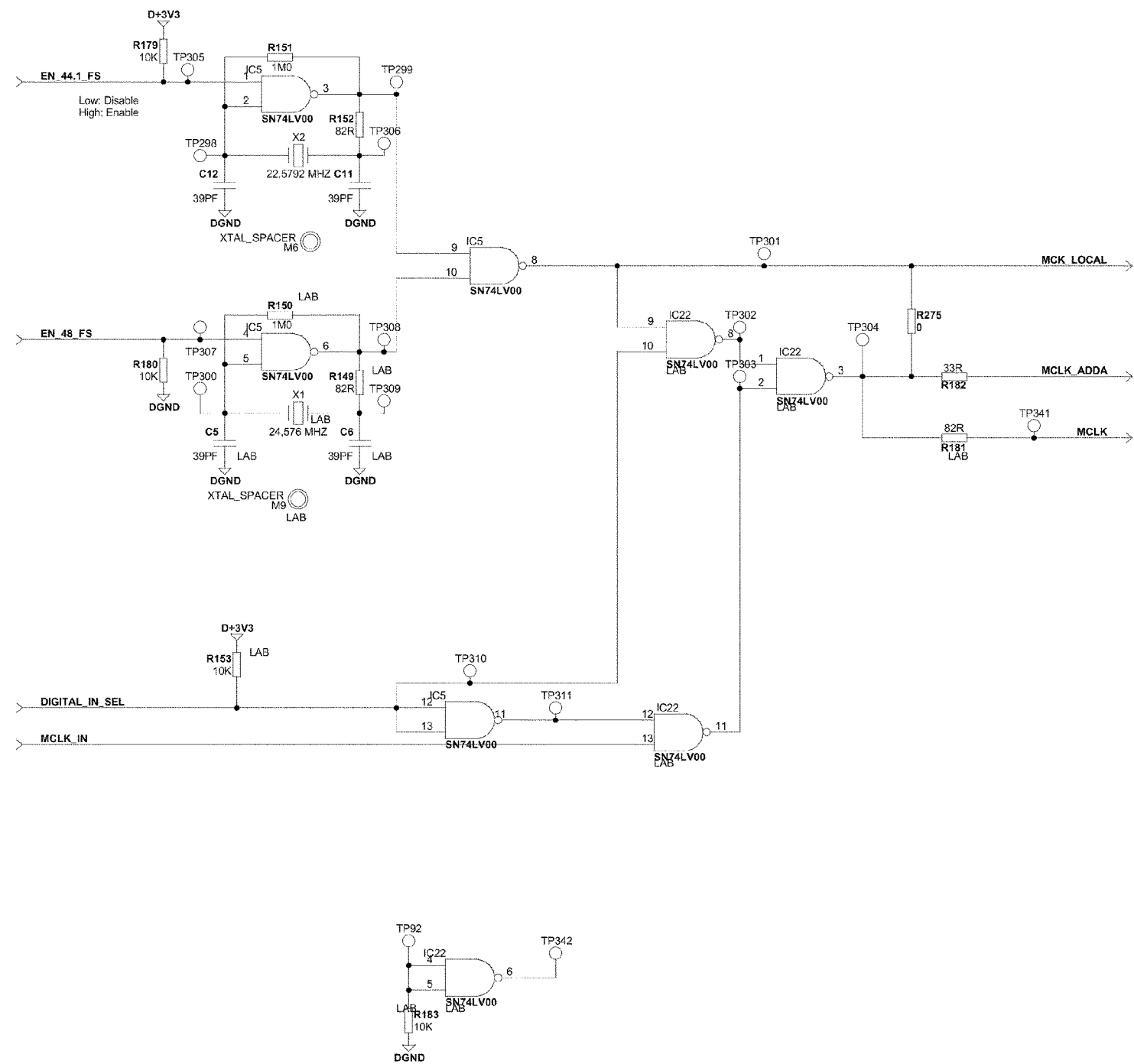
Note: Only one of the Flash types are mounted

BOSE CORPORATION		Designer
Title Panaray System Digital Controller		Module title MEMORY
Number P16005	Revision AAC	Previous page 3
Date 5/2002	Filename MEM	Page / of 4 / 14

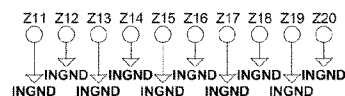
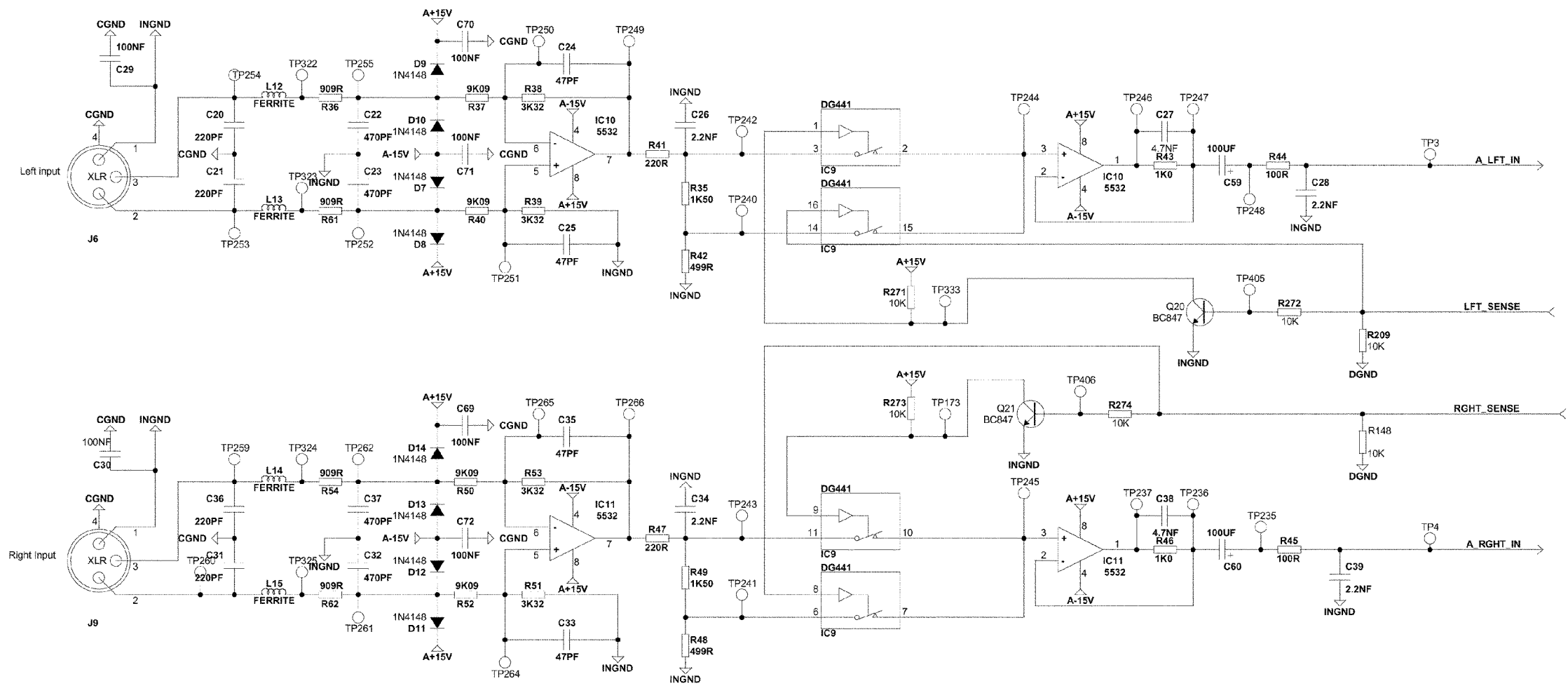


These SRAM devices defines the PCB layout

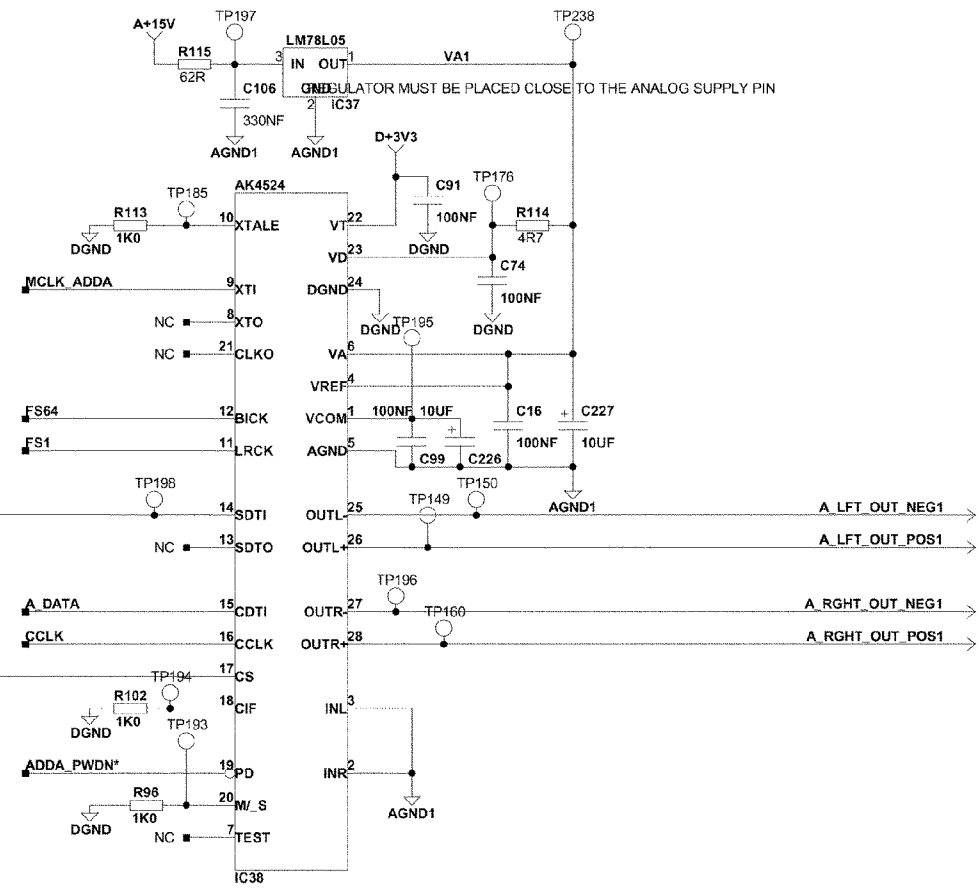
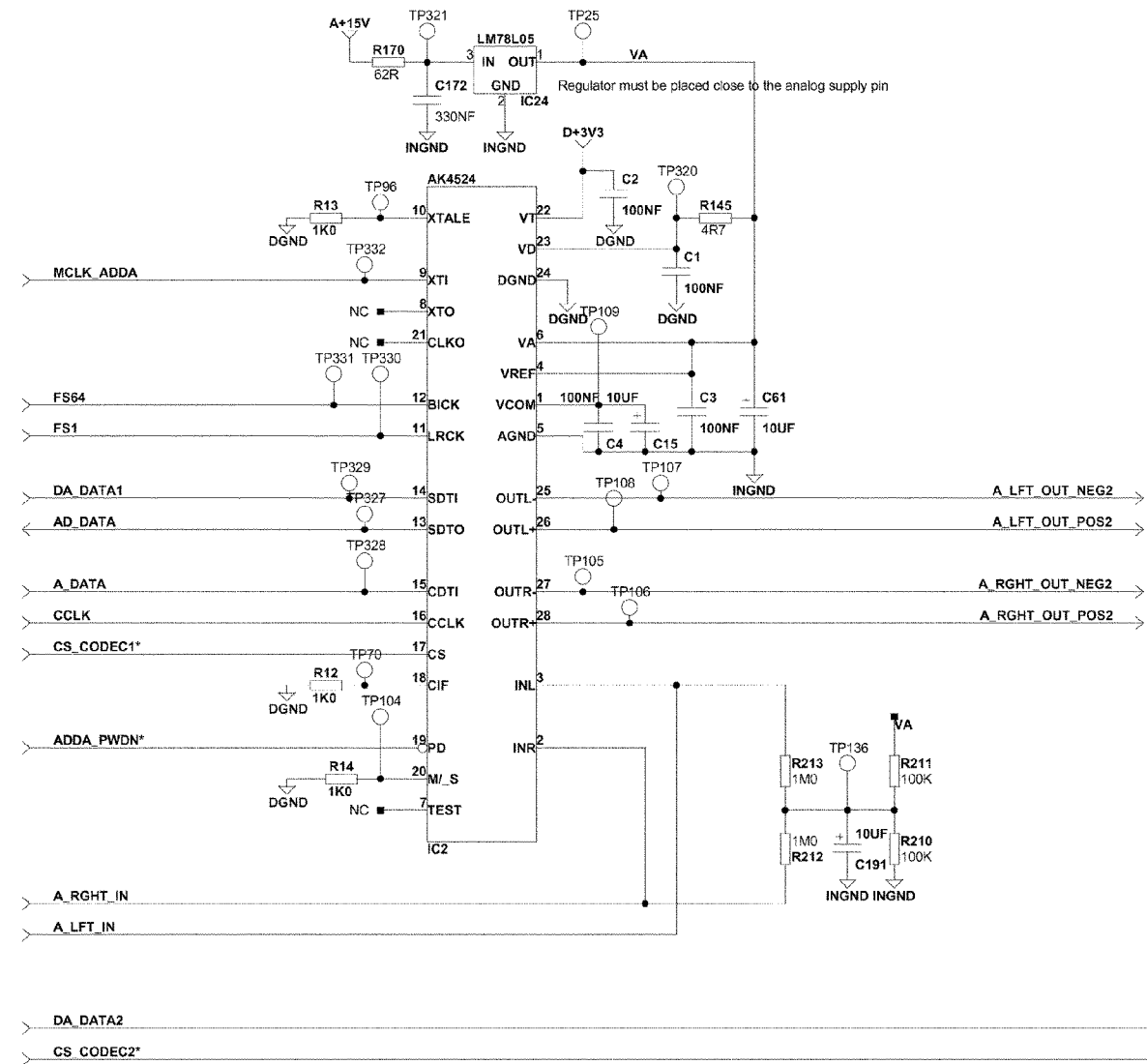
BOSE CORPORATION		Designer
Title	Panaray System Digital Controller	Module title
Number	P16005	Previous page
Date	5/2002	Page / of
	Revision	4
	Filename	MEM
		5 / 14



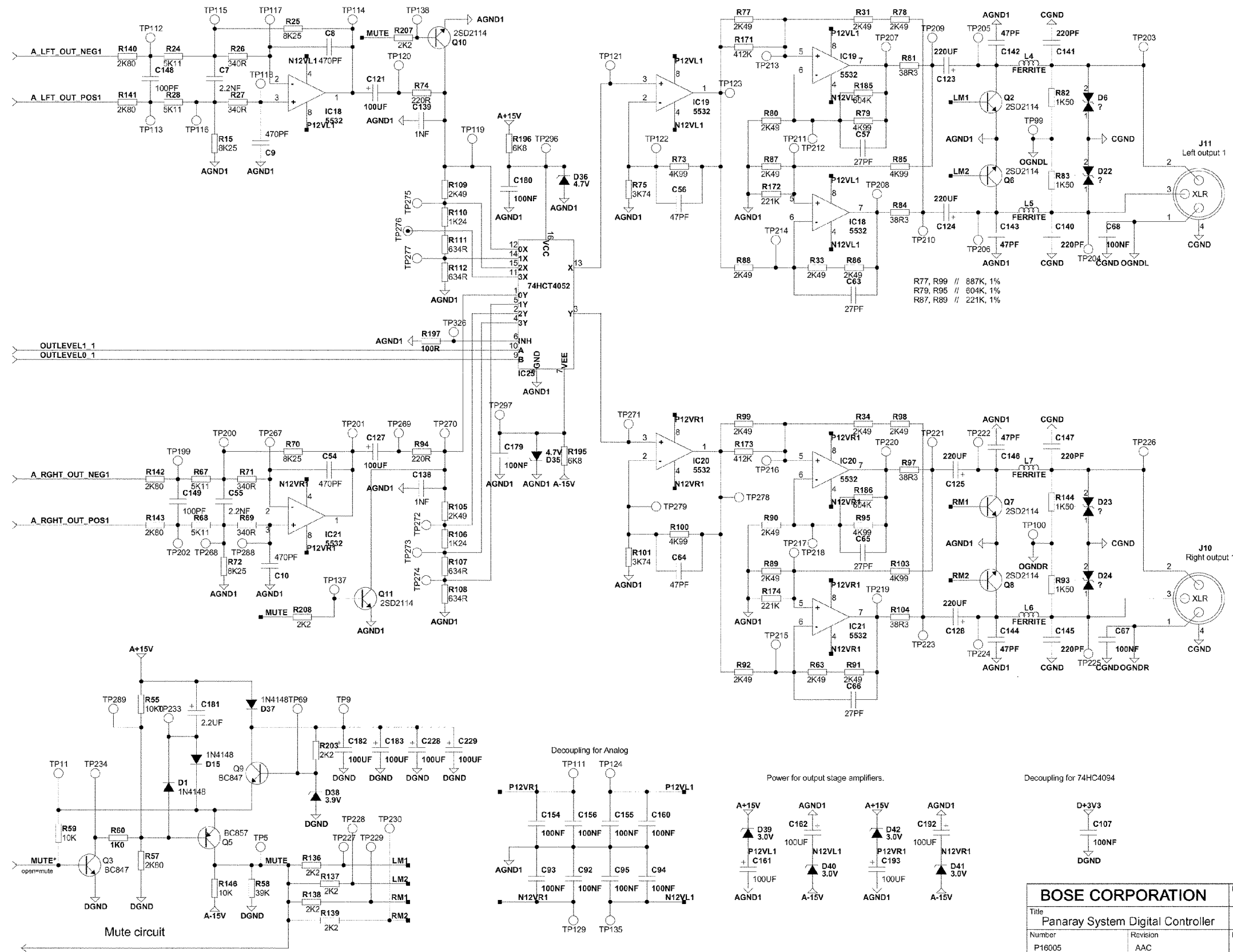
BOSE CORPORATION		Designer
Title Panaray System Digital Controller		Module title CLOCK
Number P16506	Revision AAC	Previous page 5
Date 5/2002	Filename CLOCK	Page / of 6 / 14



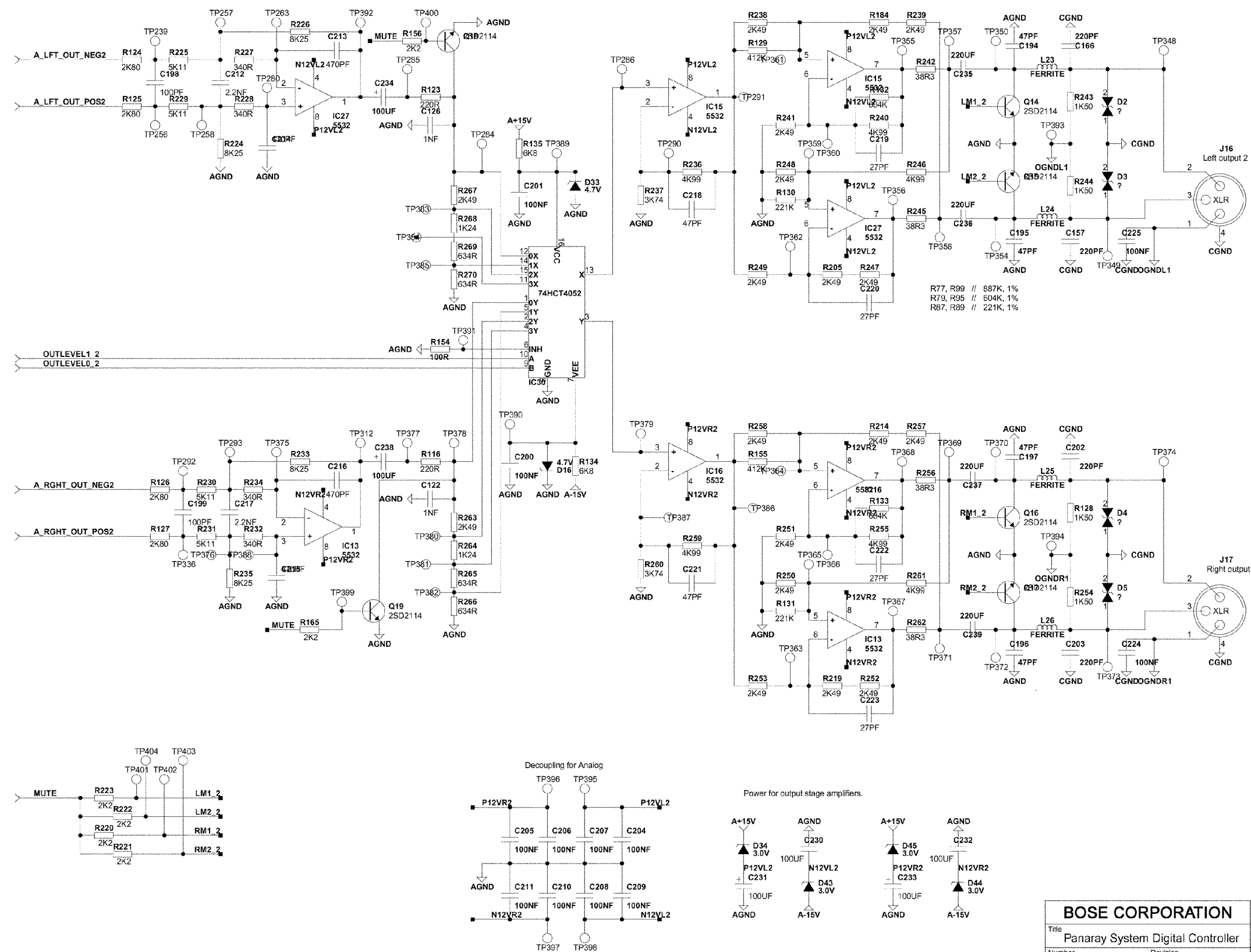
BOSE CORPORATION		Designer
Title	Panaray System Digital Controller	Module title ANALOG INPUT
Number	P16005	Revision AAC
Date	5/2002	Previous page 6
	Filename ANALOG_IN	Page / of 7 / 14



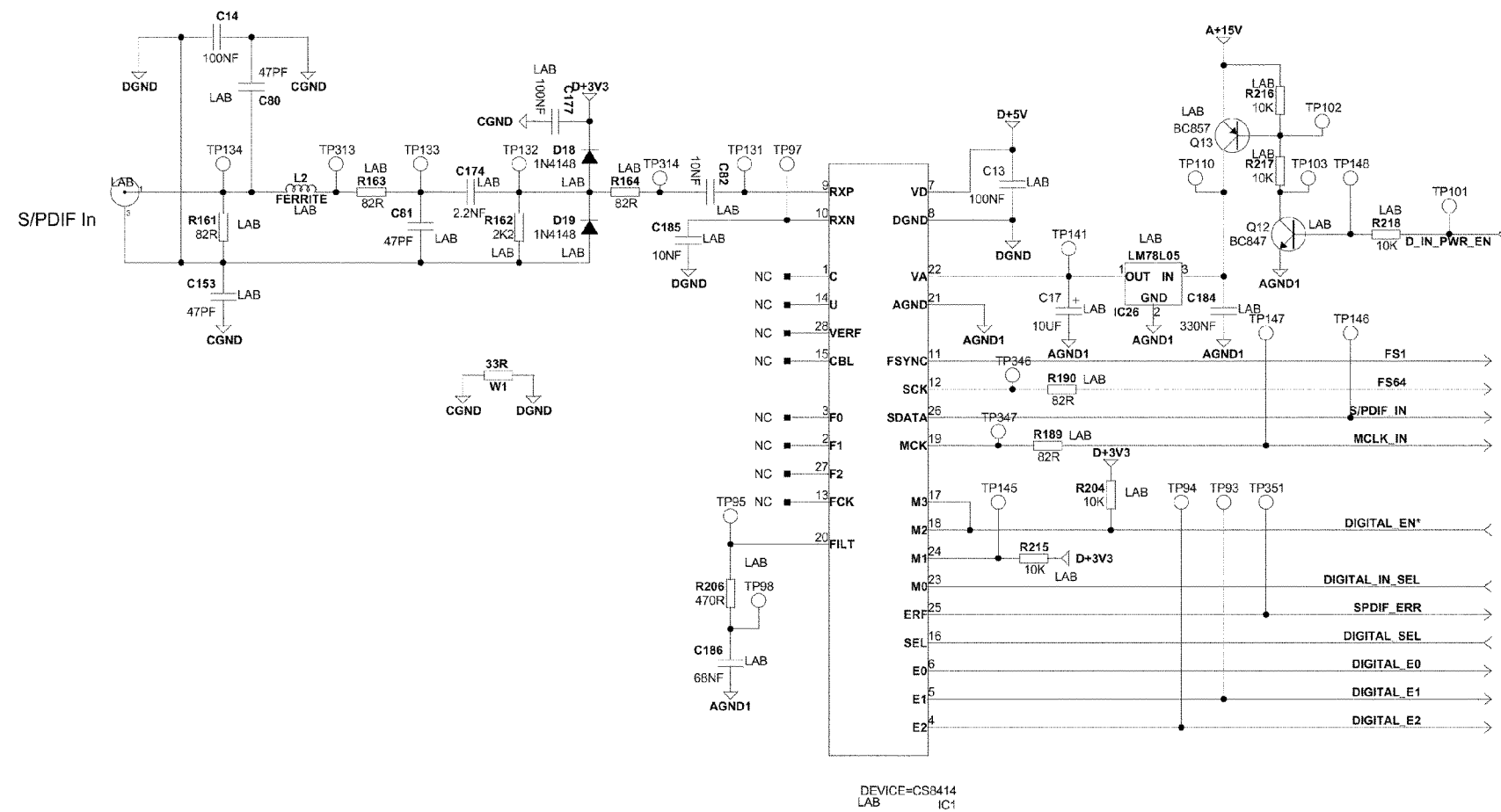
BOSE CORPORATION		Designer
Title Panaray System Digital Controller		Module title CODEC
Number P16005	Revision AAC	Previous page 7
Date 5/2002	Filename CODEC	Page / of 8 / 14



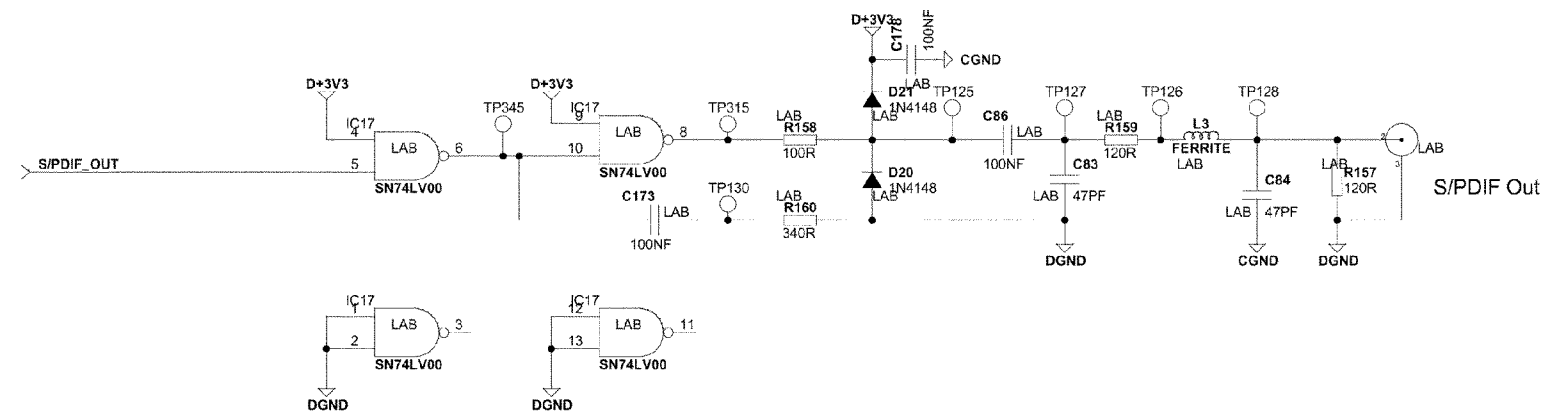
BOSE CORPORATION		Designer:
Title Panaray System Digital Controller		Module title ANALOG OUTPUT 1
Number P16005	Revision AAC	Previous page 8
Date 5/2002	Filename ANALOG_OUT1	Page / of 9 / 14



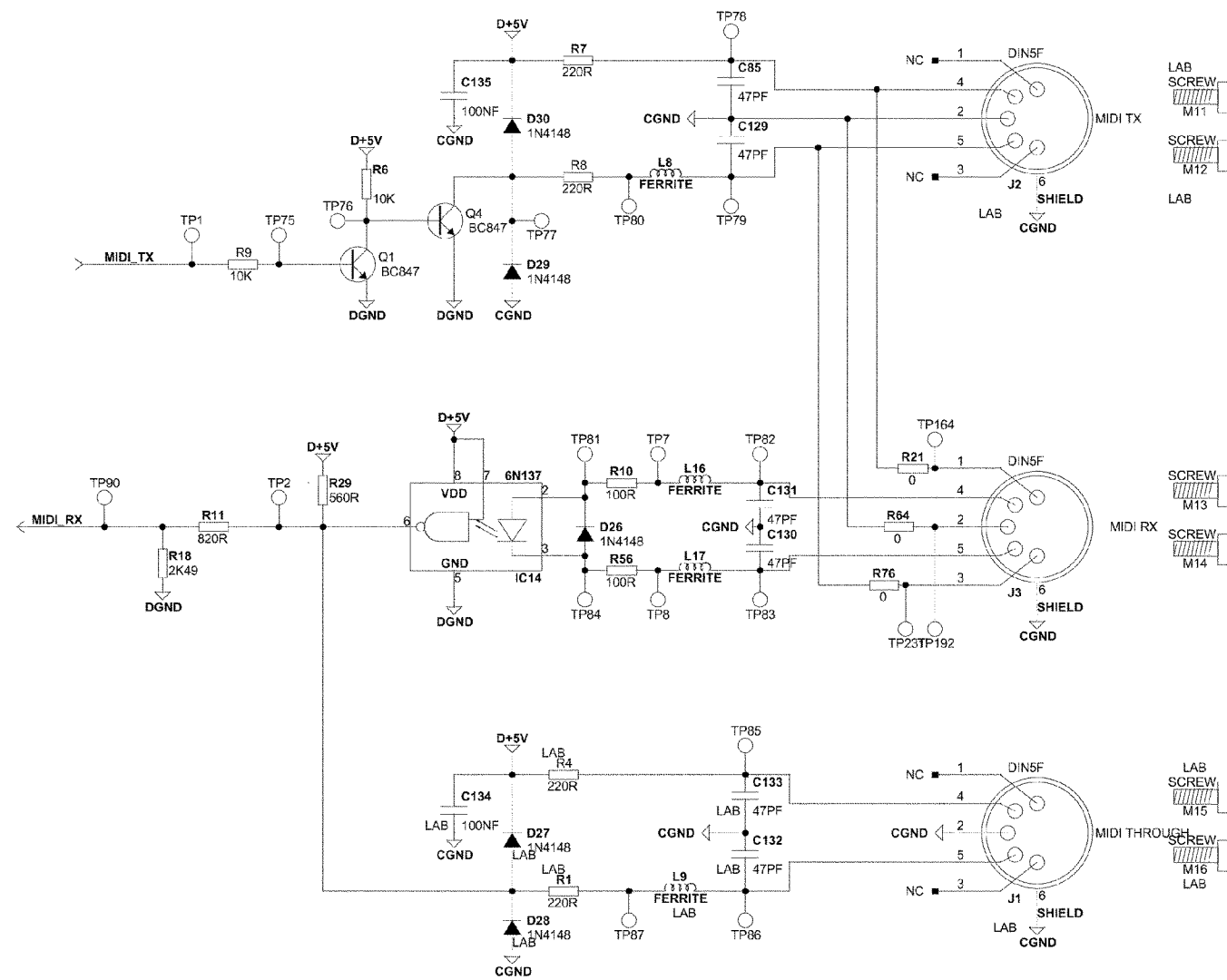
BOSE CORPORATION		Designer
Title	Panaray System Digital Controller	Module title
Number	P16005	Revision
Date	5/2002	AAC
		Filename
		ANALOG_OUT2
		Page / of
		10 / 14



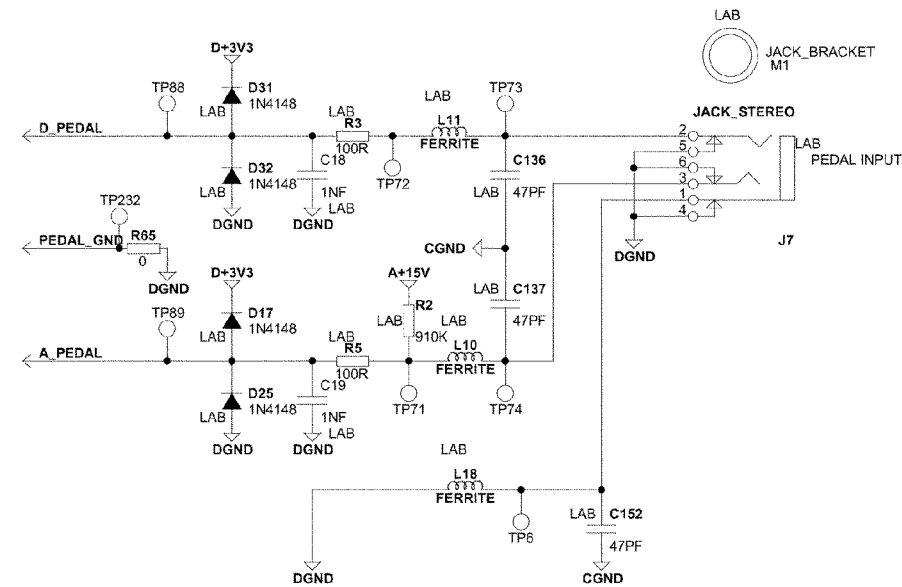
BOSE CORPORATION		Designer
Title	Panaray System Digital Controller	Module title DIGITAL_INPUT
Number	P16005	Revision AAC
Date	5/2002	Previous page 10
	Filename DIGITAL_IN	Page / of 11 / 14



BOSE CORPORATION		Designer
Title Panaray System Digital Controller		Module title DIGITAL OUTPUT
Number P16005	Revision AAC	Previous page 11
Date 5/2002	Filename DIGITAL_OUT	Page / of 12 / 14



BOSE CORPORATION		Designer
Title	Panaray System Digital Controller	Module title
Number	P16005	Previous page
Date	5/2002	Page / of
	Revision	12
	AAC	
	Filename	MIDI
		13 / 14



BOSE CORPORATION		Designer
Title Panaray System Digital Controller		Module title PEDAL INTERFACE
Number P18005	Revision AAC	Previous page 13
Date 5/2002	Filename PEDAL	Page / of 14 / 14