

8

7

6

5

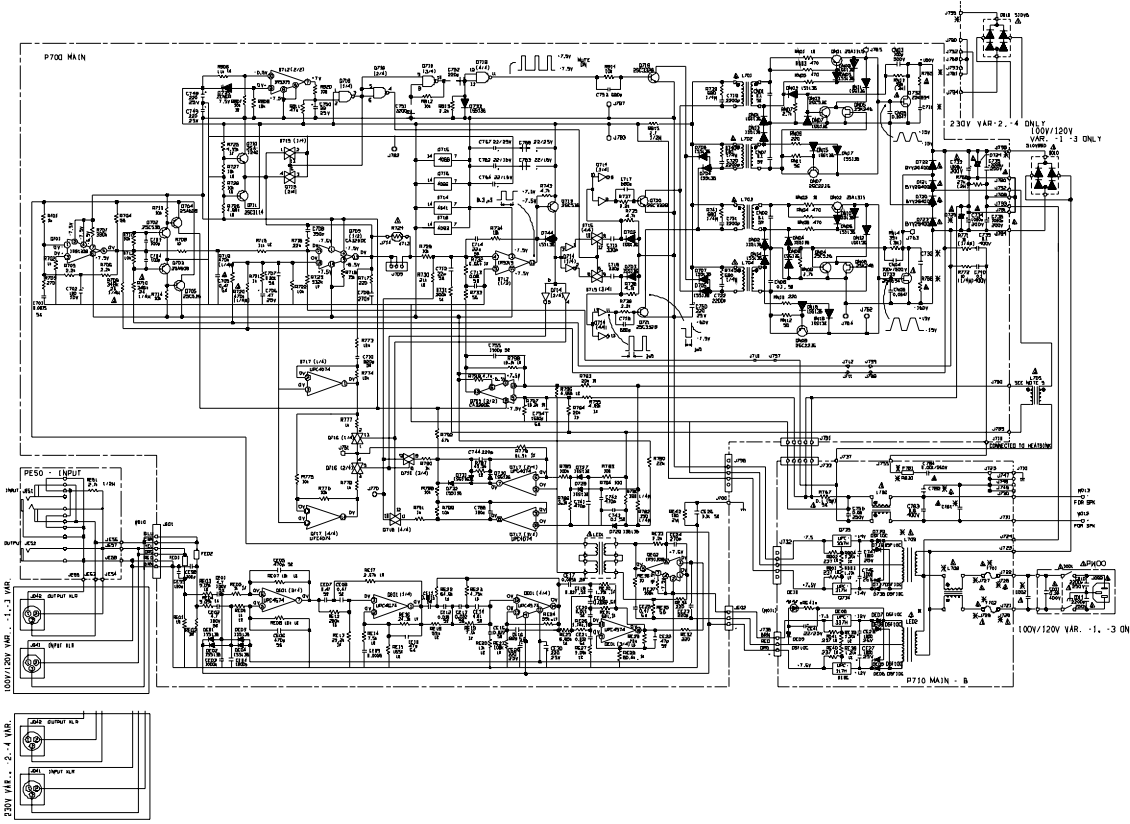
4

3

2

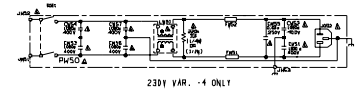
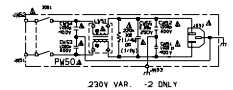
1

REVISIONS				
REV	DESCRIPTION	CHK	DATE	BY
3	ECN-10184: REVISED AND REGRAN.	PH	06/01/99	PH/AM
2	REV D SIZE			



REF.	PART #	DESCRIPTION	QTY	LOC	ORIG	ISSUE	REV
100	10000	OP. AMP. 1.2MG, 100K	1	X	X	X	X
101	10001	OP. AMP. 1.2MG, 100K	1	X	X	X	X
102	10002	OP. AMP. 1.2MG, 100K	1	X	X	X	X
103	10003	OP. AMP. 1.2MG, 100K	1	X	X	X	X
104	10004	OP. AMP. 1.2MG, 100K	1	X	X	X	X
105	10005	OP. AMP. 1.2MG, 100K	1	X	X	X	X
106	10006	OP. AMP. 1.2MG, 100K	1	X	X	X	X
107	10007	OP. AMP. 1.2MG, 100K	1	X	X	X	X
108	10008	OP. AMP. 1.2MG, 100K	1	X	X	X	X
109	10009	OP. AMP. 1.2MG, 100K	1	X	X	X	X
110	10010	OP. AMP. 1.2MG, 100K	1	X	X	X	X
111	10011	OP. AMP. 1.2MG, 100K	1	X	X	X	X
112	10012	OP. AMP. 1.2MG, 100K	1	X	X	X	X
113	10013	OP. AMP. 1.2MG, 100K	1	X	X	X	X
114	10014	OP. AMP. 1.2MG, 100K	1	X	X	X	X
115	10015	OP. AMP. 1.2MG, 100K	1	X	X	X	X
116	10016	OP. AMP. 1.2MG, 100K	1	X	X	X	X
117	10017	OP. AMP. 1.2MG, 100K	1	X	X	X	X
118	10018	OP. AMP. 1.2MG, 100K	1	X	X	X	X
119	10019	OP. AMP. 1.2MG, 100K	1	X	X	X	X
120	10020	OP. AMP. 1.2MG, 100K	1	X	X	X	X
121	10021	OP. AMP. 1.2MG, 100K	1	X	X	X	X
122	10022	OP. AMP. 1.2MG, 100K	1	X	X	X	X
123	10023	OP. AMP. 1.2MG, 100K	1	X	X	X	X
124	10024	OP. AMP. 1.2MG, 100K	1	X	X	X	X
125	10025	OP. AMP. 1.2MG, 100K	1	X	X	X	X
126	10026	OP. AMP. 1.2MG, 100K	1	X	X	X	X
127	10027	OP. AMP. 1.2MG, 100K	1	X	X	X	X
128	10028	OP. AMP. 1.2MG, 100K	1	X	X	X	X
129	10029	OP. AMP. 1.2MG, 100K	1	X	X	X	X
130	10030	OP. AMP. 1.2MG, 100K	1	X	X	X	X
131	10031	OP. AMP. 1.2MG, 100K	1	X	X	X	X
132	10032	OP. AMP. 1.2MG, 100K	1	X	X	X	X
133	10033	OP. AMP. 1.2MG, 100K	1	X	X	X	X
134	10034	OP. AMP. 1.2MG, 100K	1	X	X	X	X
135	10035	OP. AMP. 1.2MG, 100K	1	X	X	X	X
136	10036	OP. AMP. 1.2MG, 100K	1	X	X	X	X
137	10037	OP. AMP. 1.2MG, 100K	1	X	X	X	X
138	10038	OP. AMP. 1.2MG, 100K	1	X	X	X	X
139	10039	OP. AMP. 1.2MG, 100K	1	X	X	X	X
140	10040	OP. AMP. 1.2MG, 100K	1	X	X	X	X
141	10041	OP. AMP. 1.2MG, 100K	1	X	X	X	X
142	10042	OP. AMP. 1.2MG, 100K	1	X	X	X	X
143	10043	OP. AMP. 1.2MG, 100K	1	X	X	X	X
144	10044	OP. AMP. 1.2MG, 100K	1	X	X	X	X
145	10045	OP. AMP. 1.2MG, 100K	1	X	X	X	X
146	10046	OP. AMP. 1.2MG, 100K	1	X	X	X	X
147	10047	OP. AMP. 1.2MG, 100K	1	X	X	X	X
148	10048	OP. AMP. 1.2MG, 100K	1	X	X	X	X
149	10049	OP. AMP. 1.2MG, 100K	1	X	X	X	X
150	10050	OP. AMP. 1.2MG, 100K	1	X	X	X	X

- NOTES: A
- NOTE ON SAFETY: SYMBOL & FIRE OR ELECTRICAL SHOCK HAZARD. ONLY ORIGINAL PARTS SHOULD BE USED TO REPLACE ANY PART MARKED WITH SYMBOL &. ANY OTHER COMPONENT SUBSTITUTION (OTHER THAN ORIGINAL TYPE) MAY INCREASE RISK OF FIRE OR ELECTRICAL SHOCK HAZARD.
 - COMPONENTS MARKED WITH AN ASTERISK (*) VARY WITH AC LINE VOLTAGE. SEE TABLE 1 FOR VALUES.
 - ALL RESISTORS ARE SPECIFIED IN OHMS, 1/4W UNLESS OTHERWISE INDICATED.
 - ALL CAPACITORS ARE SPECIFIED IN MICROFARADS UNLESS OTHERWISE INDICATED.
 - 1.705 REQUIRES SHIELD WRAP (PART NO. 141436) IN ORDER TO MEET EMC SHIELDING REQUIREMENTS ON 2-4 VERSIONS.
 - COMPONENTS AND WIRING ARE SUBJECT TO CHANGE FOR MODIFICATIONS WITHOUT NOTICE. (SEE SERVICE MANUAL FOR PARTS LISTS OF EARLIER VERSIONS).



THIRD ANGLE PROJECTION	LEWIS/DEFFNER	DATE	BOSE FRANKLIN, MA 01701-9168
	M. CORNAD	7/88	
	GREYER		DESCRIPTION PROTUN AMP SCHEMATIC
	BILL CANAL	4/89	
	DAVID BATA	4/89	
NOTICE	REV FOR PROD PER	DATE	SIZE
	REV-245 AT REV 1	12/7/89	E 32108
			SCALE
			NAME
			CHY. CODE
			SHEET 1 OF 3

8

7

6

5

4

3

2

1