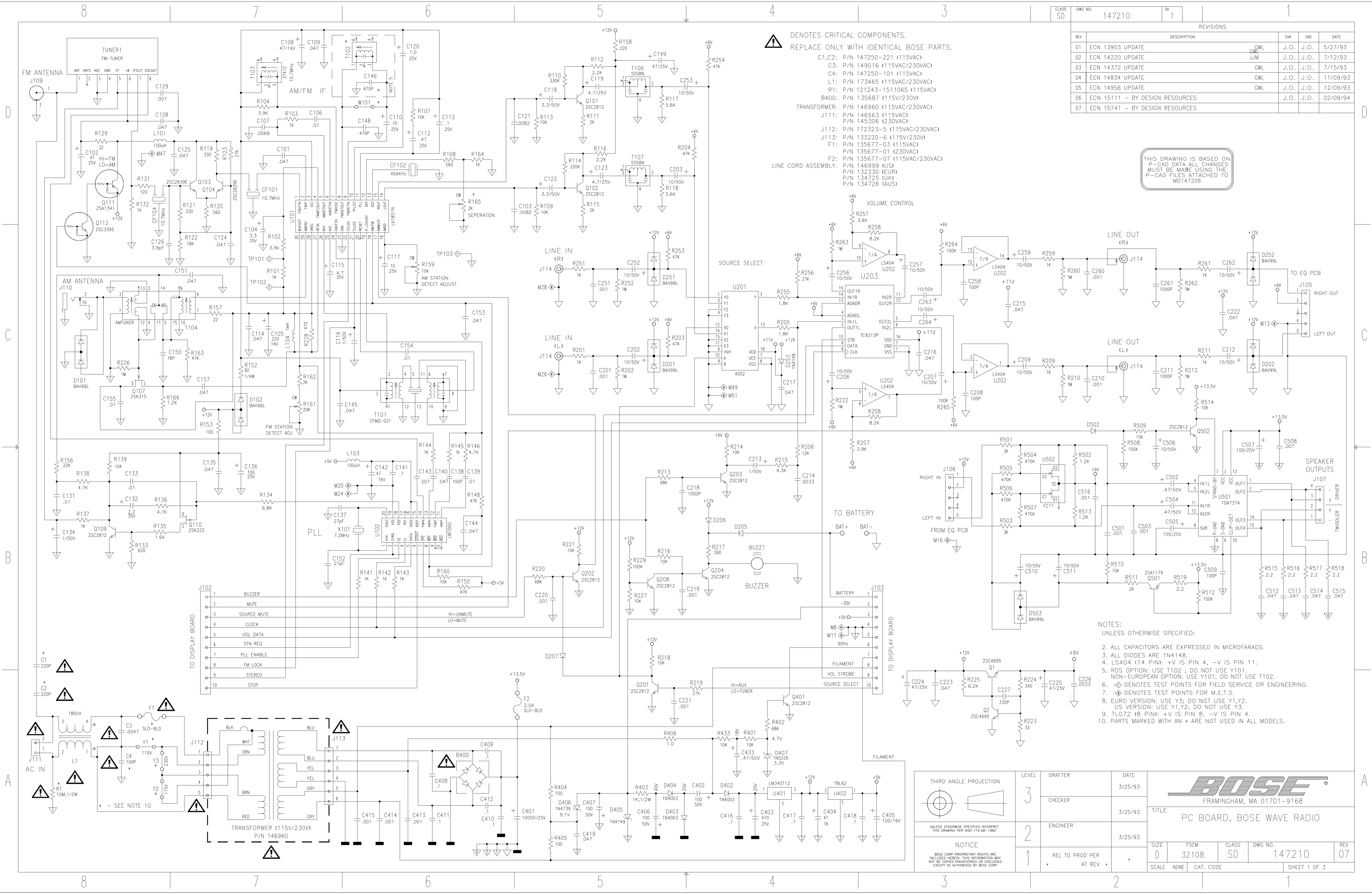


REVISIONS				
REV	DESCRIPTION	CHK	ENG	DATE
01	ECN 13903 UPDATE	GWL	J.O.	5/27/93
02	ECN 14220 UPDATE	JJM	J.O.	7/12/93
03	ECN 14372 UPDATE	GWL	J.O.	7/15/93
04	ECN 14834 UPDATE	GWL	J.O.	11/09/93
05	ECN 14956 UPDATE	GWL	J.O.	12/09/93
06	ECN 15111 - BY DESIGN RESOURCES	J.O.	J.O.	02/09/94
07	ECN 15741 - BY DESIGN RESOURCES			

⚠ DENOTES CRITICAL COMPONENTS.
REPLACE ONLY WITH IDENTICAL BOSE PARTS.

- C1,C2: P/N 147250-221 (115VAC)
- C3: P/N 149016 (115VAC/230VAC)
- C4: P/N 147250-101 (115VAC)
- L1: P/N 173465 (115VAC/230VAC)
- R1: P/N 121243-1511065 (115VAC)
- B400: P/N 135687 (115V/230V)
- TRANSFORMER: P/N 146960 (115VAC/230VAC)
- J111: P/N 146563 (115VAC)
- J112: P/N 145306 (230VAC)
- J113: P/N 172323-5 (115VAC/230VAC)
- F1: P/N 133220-6 (115V/230V)
- F2: P/N 135677-03 (115VAC)
- F2: P/N 135677-01 (230VAC)
- F2: P/N 146999 (US)
- F2: P/N 132330 (EUR)
- F2: P/N 134725 (UK)
- F2: P/N 134726 (AUS)

THIS DRAWING IS BASED ON P-CAD DATA ALL CHANGES MUST BE MADE USING THE P-CAD FILES ATTACHED TO MD147206



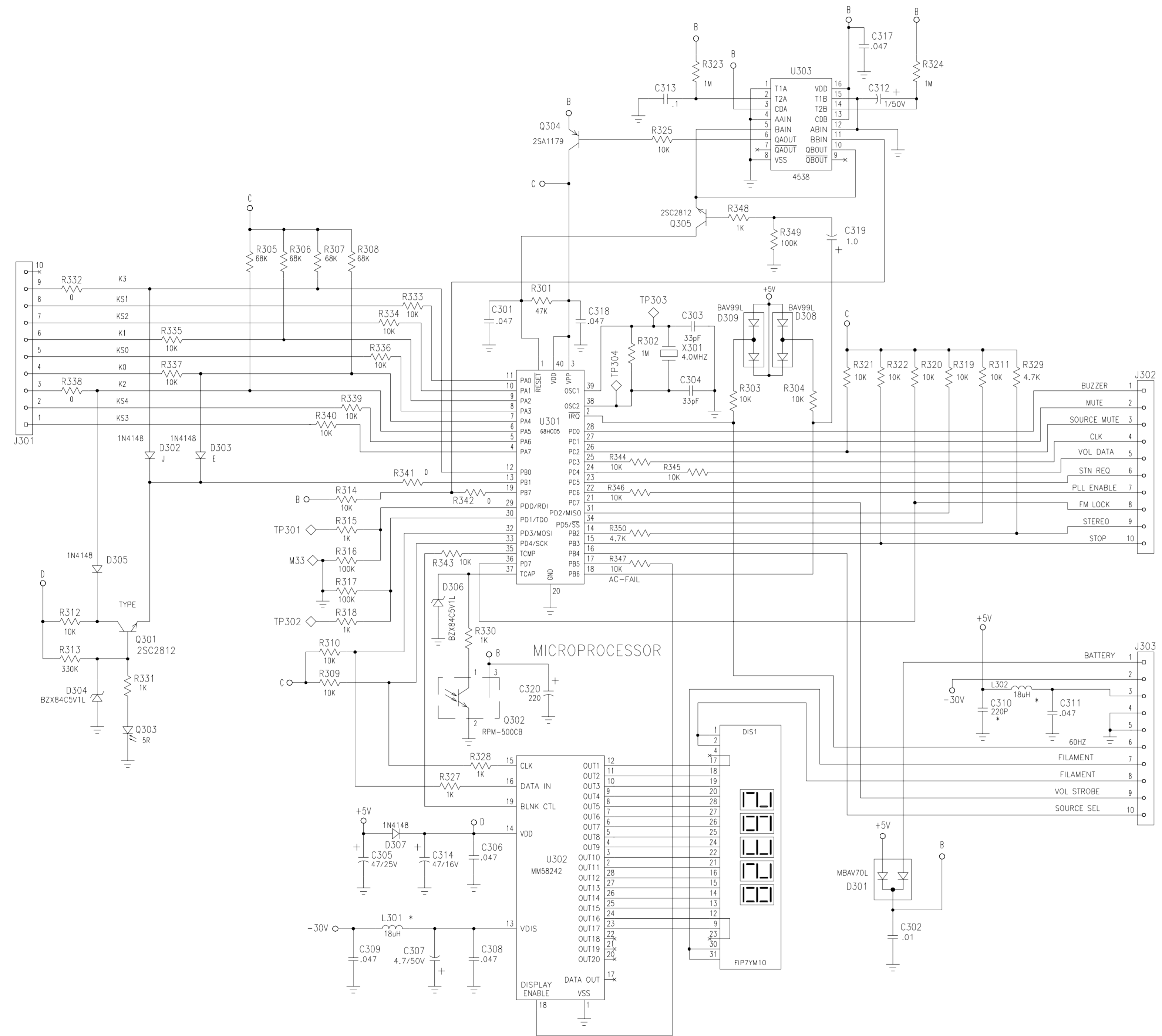
- NOTES:
UNLESS OTHERWISE SPECIFIED:
2. ALL CAPACITORS ARE EXPRESSED IN MICROFARADS.
 3. ALL DIODES ARE 1N4148.
 4. LS404 (14 PIN): +V IS PIN 4, -V IS PIN 11.
 5. RDS OPTION: USE T102; DO NOT USE Y101.
NON-EUROPEAN OPTION: USE Y101; DO NOT USE T102.
 6. Ⓢ DENOTES TEST POINTS FOR FIELD SERVICE OR ENGINEERING.
 7. Ⓢ DENOTES TEST POINTS FOR M.E.T.S.
 8. EURO VERSION: USE Y3; DO NOT USE Y1,Y2.
US VERSION: USE Y1,Y2; DO NOT USE Y3.
 9. TLO72 (8 PIN): +V IS PIN 8, -V IS PIN 4.
 10. PARTS MARKED WITH AN * ARE NOT USED IN ALL MODELS.

THIRD ANGLE PROJECTION	LEVEL	DRAFTER	DATE
	3		3/25/93
UNLESS OTHERWISE SPECIFIED INTERPRET THIS DRAWING PER ANSI Y14.5M-1982	CHECKER		3/25/93
NOTICE	ENGINEER		3/25/93
BOSE CORP PROPRIETARY RIGHTS ARE INCLUDED HEREIN. THIS INFORMATION MAY NOT BE COPIED, TRANSMITTED OR DISCLOSED EXCEPT AS AUTHORIZED BY BOSE CORP.	REL TO PROD PER		
	AT REV		



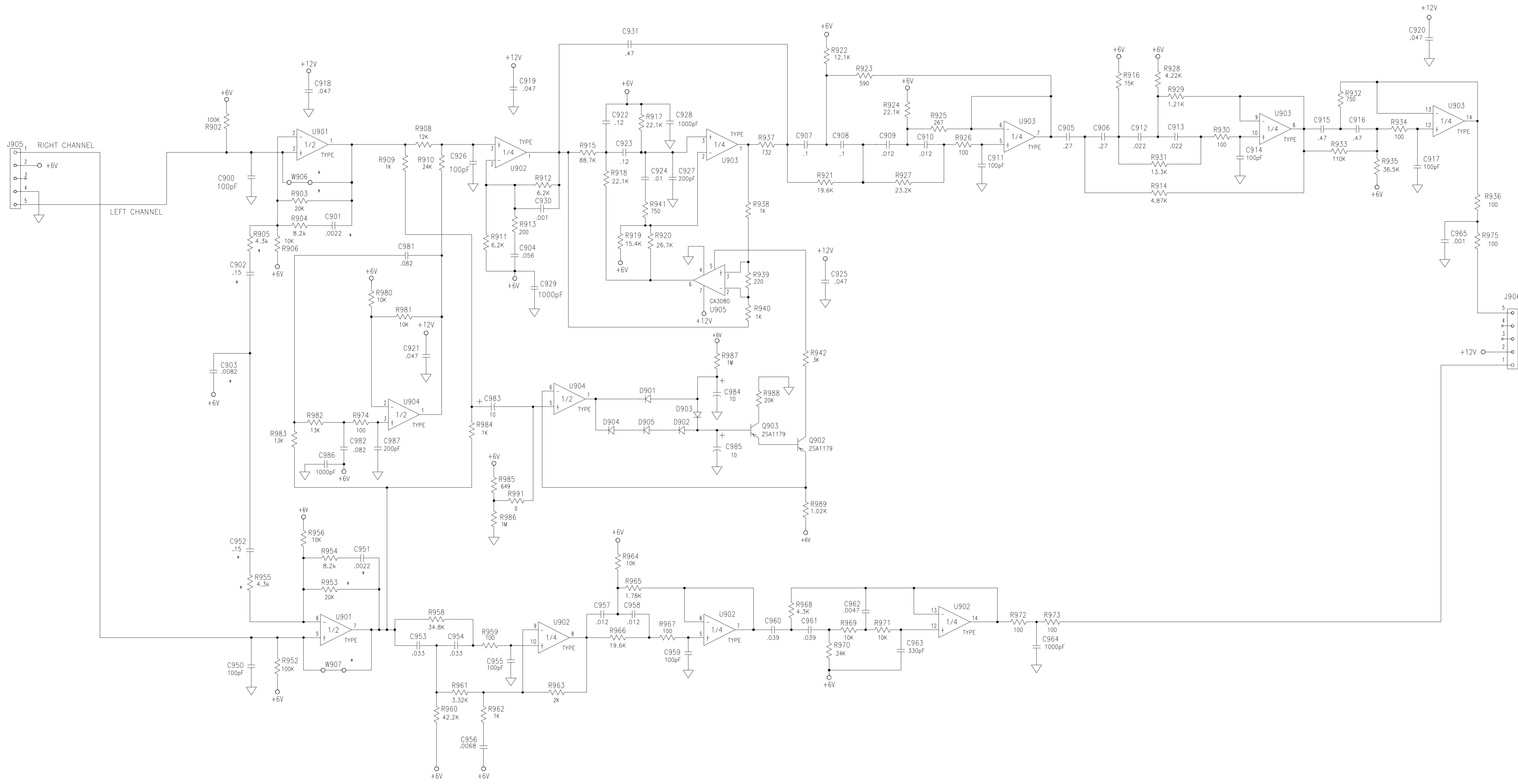
TITLE
PC BOARD, BOSE WAVE RADIO

SIZE	FSCM	CLASS	DWG NO.	REV
D	32108	SD	147210	07
SCALE	NONE	CAT. CODE		SHEET 1 OF 3



THIS DRAWING IS BASED ON P-CAD DATA ALL CHANGES MUST BE MADE USING THE P-CAD FILES ATTACHED TO MD147206

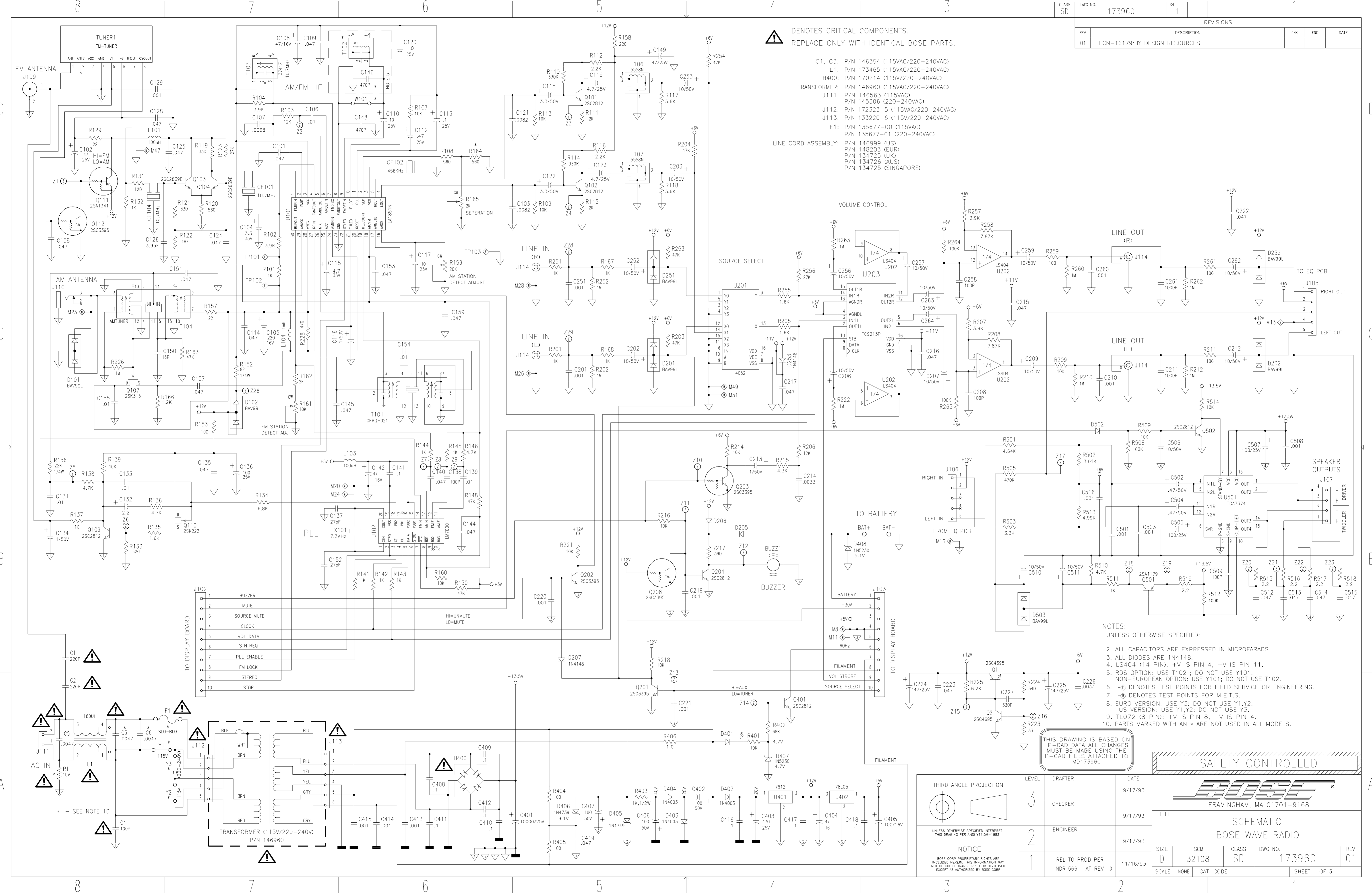
SIZE	FSCM	CLASS	DWG NO.	REV
D	32108	SD	147210	07
SCALE	CAT. CODE	SHEET 2 OF 3		



THIS DRAWING IS BASED ON P-CAD DATA ALL CHANGES MUST BE MADE USING THE P-CAD FILES ATTACHED TO MD147206

SIZE D	FSCM 32108	CLASS SD	DWG NO. 147210	REV 07
SCALE	CAT. CODE	SHEET 3 OF 3		

CLASS	DWG NO.	SN	REVISIONS		
SD	173960	1	REV	DESCRIPTION	CHK
			01	ECN-16179:BY DESIGN RESOURCES	ENG
					DATE



⚠ DENOTES CRITICAL COMPONENTS.
REPLACE ONLY WITH IDENTICAL BOSE PARTS.

- C1, C3: P/N 146354 (115VAC/220-240VAC)
- L1: P/N 173465 (115VAC/220-240VAC)
- B400: P/N 170214 (115V/220-240VAC)
- TRANSFORMER: P/N 146960 (115VAC/220-240VAC)
- J111: P/N 146563 (115VAC)
- J112: P/N 145306 (220-240VAC)
- J113: P/N 173223-5 (115VAC/220-240VAC)
- J113: P/N 133220-6 (115V/220-240VAC)
- F1: P/N 135677-00 (115VAC)
- F1: P/N 135677-01 (220-240VAC)
- LINE CORD ASSEMBLY: P/N 146999 (US)
- LINE CORD ASSEMBLY: P/N 148203 (EUR)
- LINE CORD ASSEMBLY: P/N 134725 (UK)
- LINE CORD ASSEMBLY: P/N 134726 (AUS)
- LINE CORD ASSEMBLY: P/N 134726 (SINGAPORE)

- NOTES:
UNLESS OTHERWISE SPECIFIED:
2. ALL CAPACITORS ARE EXPRESSED IN MICROFARADS.
 3. ALL DIODES ARE 1N4148.
 4. LS404 (14 PIN): +V IS PIN 4, -V IS PIN 11.
 5. RDS OPTION: USE T102; DO NOT USE Y101.
NON-EUROPEAN OPTION: USE Y101; DO NOT USE T102.
 6. ⚡ DENOTES TEST POINTS FOR FIELD SERVICE OR ENGINEERING.
 7. ⚡ DENOTES TEST POINTS FOR M.E.T.S.
 8. EURO VERSION: USE Y3; DO NOT USE Y1,Y2.
US VERSION: USE Y1,Y2; DO NOT USE Y3.
 9. TLO72 (8 PIN): +V IS PIN 8, -V IS PIN 4.
 10. PARTS MARKED WITH AN * ARE NOT USED IN ALL MODELS.

THIS DRAWING IS BASED ON P-CAD DATA ALL CHANGES MUST BE MADE USING THE P-CAD FILES ATTACHED TO MD173960

SAFETY CONTROLLED

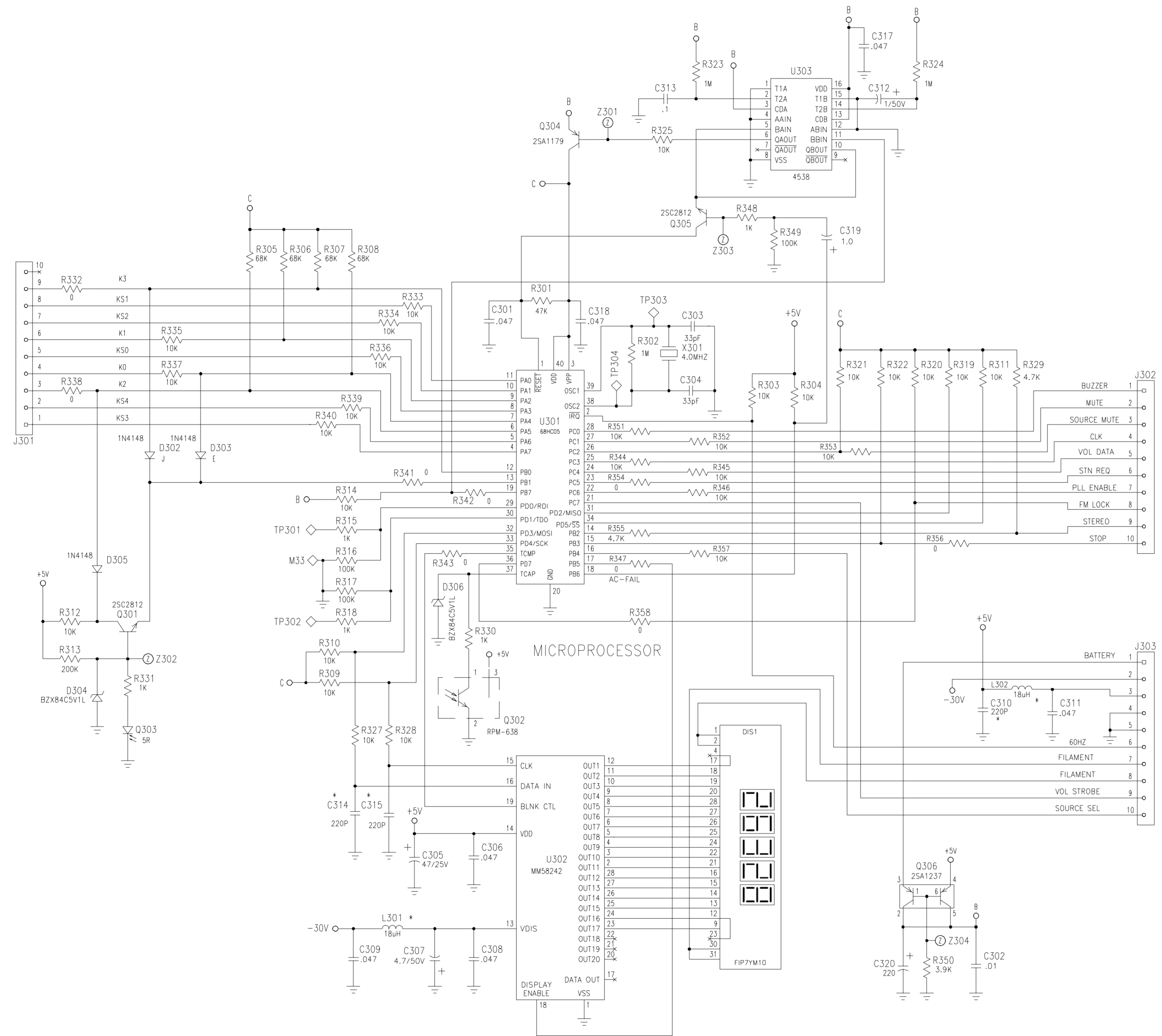


FRAMINGHAM, MA 01701-9168

SCHEMATIC
BOSE WAVE RADIO

THIRD ANGLE PROJECTION	LEVEL	DRAFTER	DATE
	3	CHECKER	9/17/93
UNLESS OTHERWISE SPECIFIED INTERPRET THIS DRAWING PER ANSI Y14.5M-1982	2	ENGINEER	9/17/93
NOTICE	1	REL TO PROD PER	11/16/93
BOSE CORP PROPRIETARY RIGHTS ARE INCLUDED HEREIN. THIS INFORMATION MAY NOT BE COPIED, TRANSFERRED OR DISCLOSED EXCEPT AS AUTHORIZED BY BOSE CORP		NDR 566 AT REV 0	

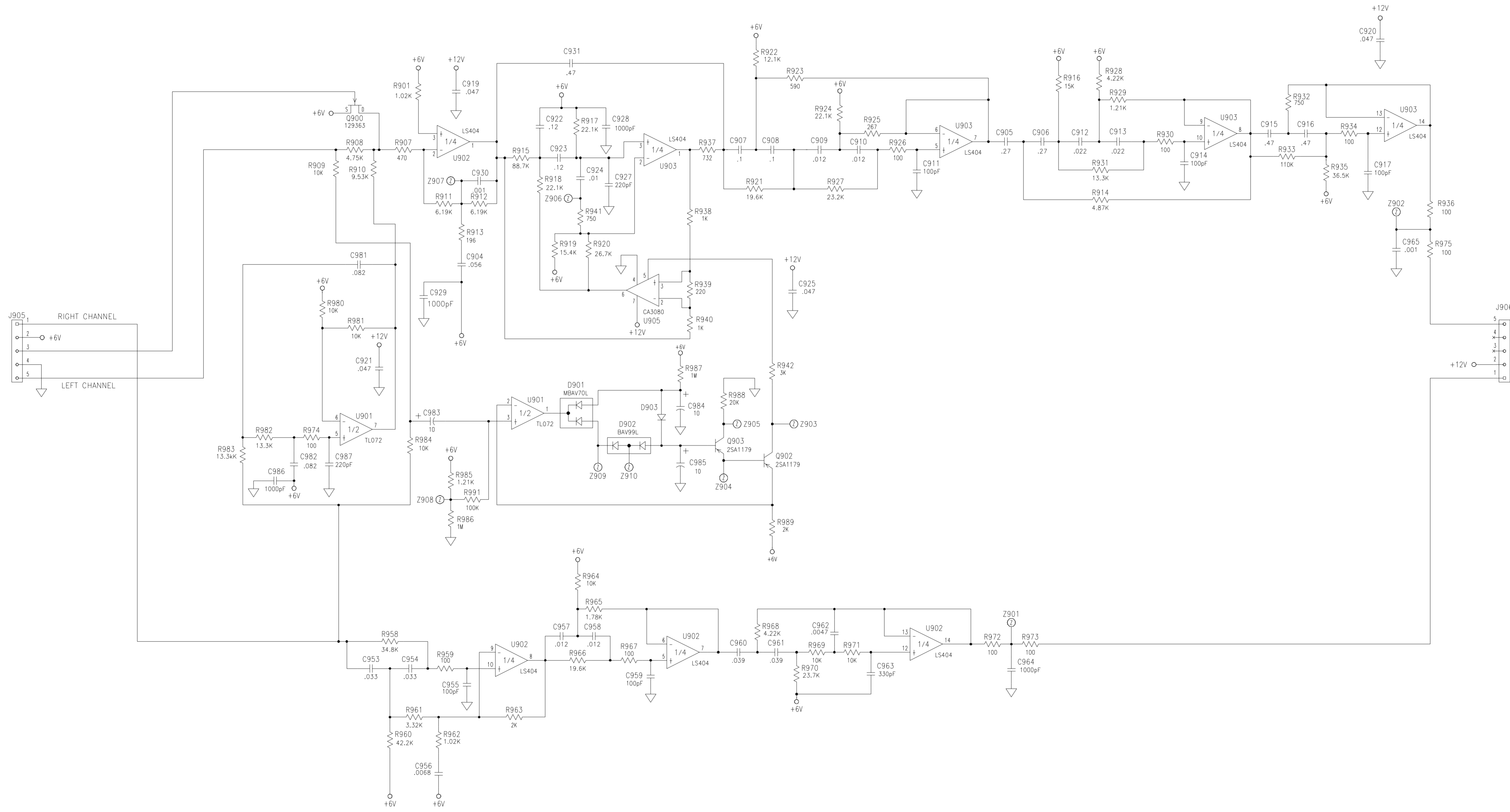
SIZE	FSCM	CLASS	DWG NO.	REV
D	32108	SD	173960	01
SCALE	NONE	CAT. CODE	SHEET 1 OF 3	



THIS DRAWING IS BASED ON P-CAD DATA ALL CHANGES MUST BE MADE USING THE P-CAD FILES ATTACHED TO MD173960

SIZE	FSCM	CLASS	DWG NO.	REV
D	32108	SD	173960	01
SCALE	CAT. CODE	SHEET 2 OF 3		

8 7 6 5 4 3 2 1



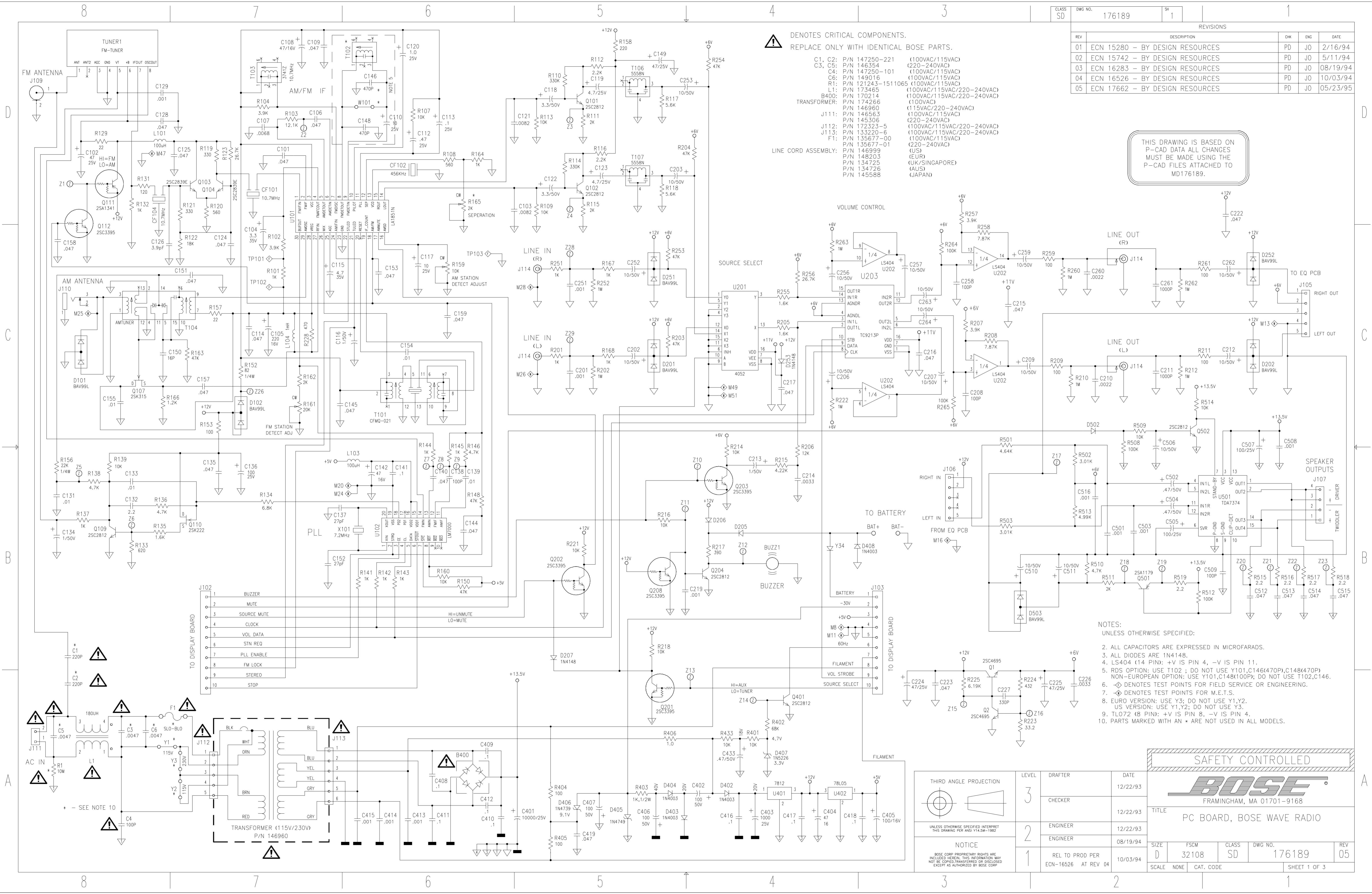
8 7 6 5 4 3 2 1

REVISIONS				
REV	DESCRIPTION	CHK	ENG	DATE
01	ECN 15280 - BY DESIGN RESOURCES	PD	JO	2/16/94
02	ECN 15742 - BY DESIGN RESOURCES	PD	JO	5/11/94
03	ECN 16283 - BY DESIGN RESOURCES	PD	JO	08/19/94
04	ECN 16526 - BY DESIGN RESOURCES	PD	JO	10/03/94
05	ECN 17662 - BY DESIGN RESOURCES	PD	JO	05/23/95

⚠ DENOTES CRITICAL COMPONENTS.
REPLACE ONLY WITH IDENTICAL BOSE PARTS.

- C1, C2: P/N 147250-221 (100VAC/115VAC)
- C3, C4: P/N 146354 (220-240VAC)
- C4: P/N 147250-101 (100VAC/115VAC)
- C6: P/N 149016 (100VAC/115VAC)
- R1: P/N 121243-1511065 (100VAC/115VAC)
- L1: P/N 173465 (100VAC/115VAC/220-240VAC)
- B400: P/N 170214 (100VAC)
- P/N 174266 (115VAC/220-240VAC)
- P/N 146960 (100VAC/115VAC)
- P/N 146563 (100VAC/115VAC)
- P/N 145306 (220-240VAC)
- J111: P/N 172323-5 (100VAC/115VAC/220-240VAC)
- P/N 133220-6 (100VAC/115VAC)
- F1: P/N 135677-00 (100VAC/115VAC)
- P/N 135677-01 (220-240VAC)
- P/N 146999 (US)
- P/N 148203 (EUR)
- P/N 134725 (UK/SINGAPORE)
- P/N 134726 (AUS)
- P/N 145588 (JAPAN)

THIS DRAWING IS BASED ON P-CAD DATA ALL CHANGES MUST BE MADE USING THE P-CAD FILES ATTACHED TO MD176189.



- NOTES:
UNLESS OTHERWISE SPECIFIED:
- ALL CAPACITORS ARE EXPRESSED IN MICROFARADS.
 - ALL DIODES ARE 1N4148.
 - LS404 (14 PIN): +V IS PIN 4, -V IS PIN 11.
 - RDS OPTION: USE T102; DO NOT USE Y101, C148(470P), C148(470P). NON-EUROPEAN OPTION: USE Y101, C148(100P); DO NOT USE T102, C146.
 - ⊕ DENOTES TEST POINTS FOR FIELD SERVICE OR ENGINEERING.
 - ⊙ DENOTES TEST POINTS FOR M.E.T.S.
 - EURO VERSION: USE Y3; DO NOT USE Y1, Y2. US VERSION: USE Y1, Y2; DO NOT USE Y3.
 - TLO72 (8 PIN): +V IS PIN 8, -V IS PIN 4.
 - PARTS MARKED WITH * ARE NOT USED IN ALL MODELS.

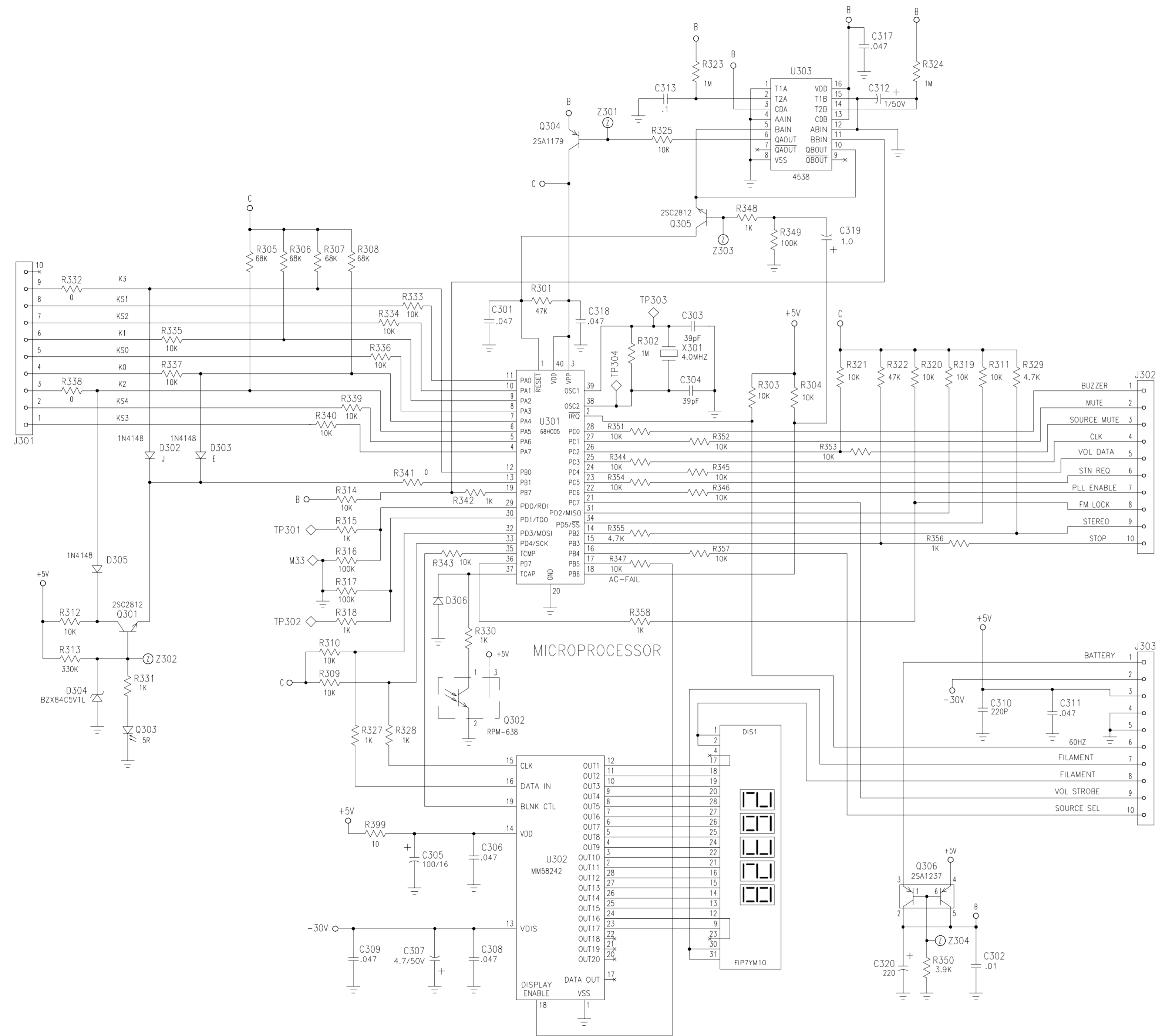
THIRD ANGLE PROJECTION	LEVEL	DRAFTER	DATE
	3		12/22/93
UNLESS OTHERWISE SPECIFIED INTERPRET THIS DRAWING PER ANSI Y14.5M-1982	2	ENGINEER	12/22/93
		ENGINEER	08/19/94
NOTICE	1	REL TO PROD PER ECN-16526	10/03/94

SAFETY CONTROLLED

BOSE
FRAMINGHAM, MA 01701-9168

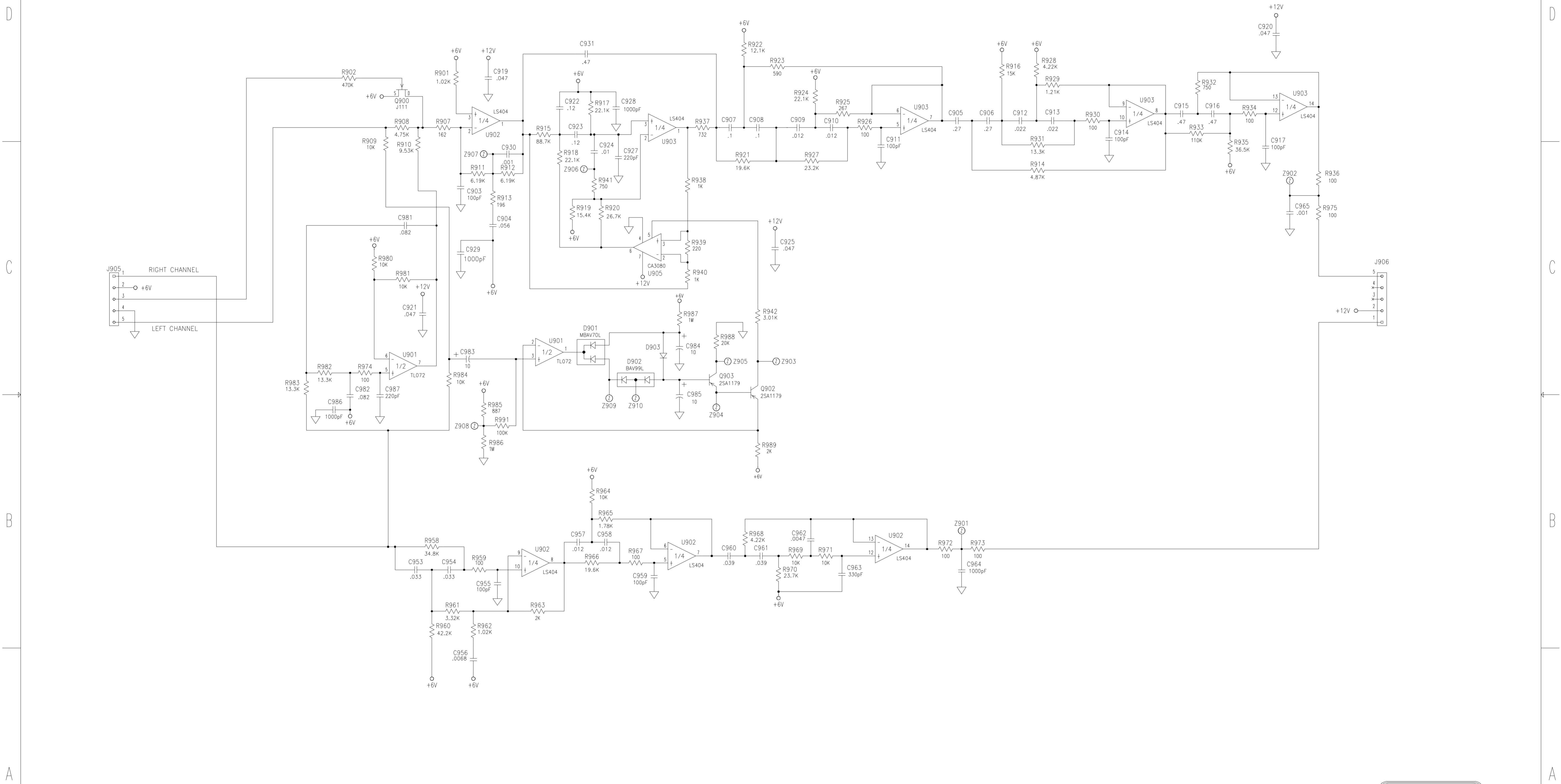
TITLE
PC BOARD, BOSE WAVE RADIO

SIZE	FSCM	CLASS	DWG NO.	REV
D	32108	SD	176189	05
SCALE	NONE	CAT. CODE	SHEET 1 OF 3	



THIS DRAWING IS BASED ON P-CAD DATA ALL CHANGES MUST BE MADE USING THE P-CAD FILES ATTACHED TO MD176189

SIZE	FSCM	CLASS	DWG NO.	REV
D	32108	SD	176189	05
SCALE	CAT. CODE	SHEET 2 OF 3		



THIS DRAWING IS BASED ON P-CAD DATA ALL CHANGES MUST BE MADE USING THE P-CAD FILES ATTACHED TO MD176189

SIZE	FSCM	CLASS	DWG NO.	REV
D	32108	SD	176189	05
SCALE	SHEET 3 OF 3			