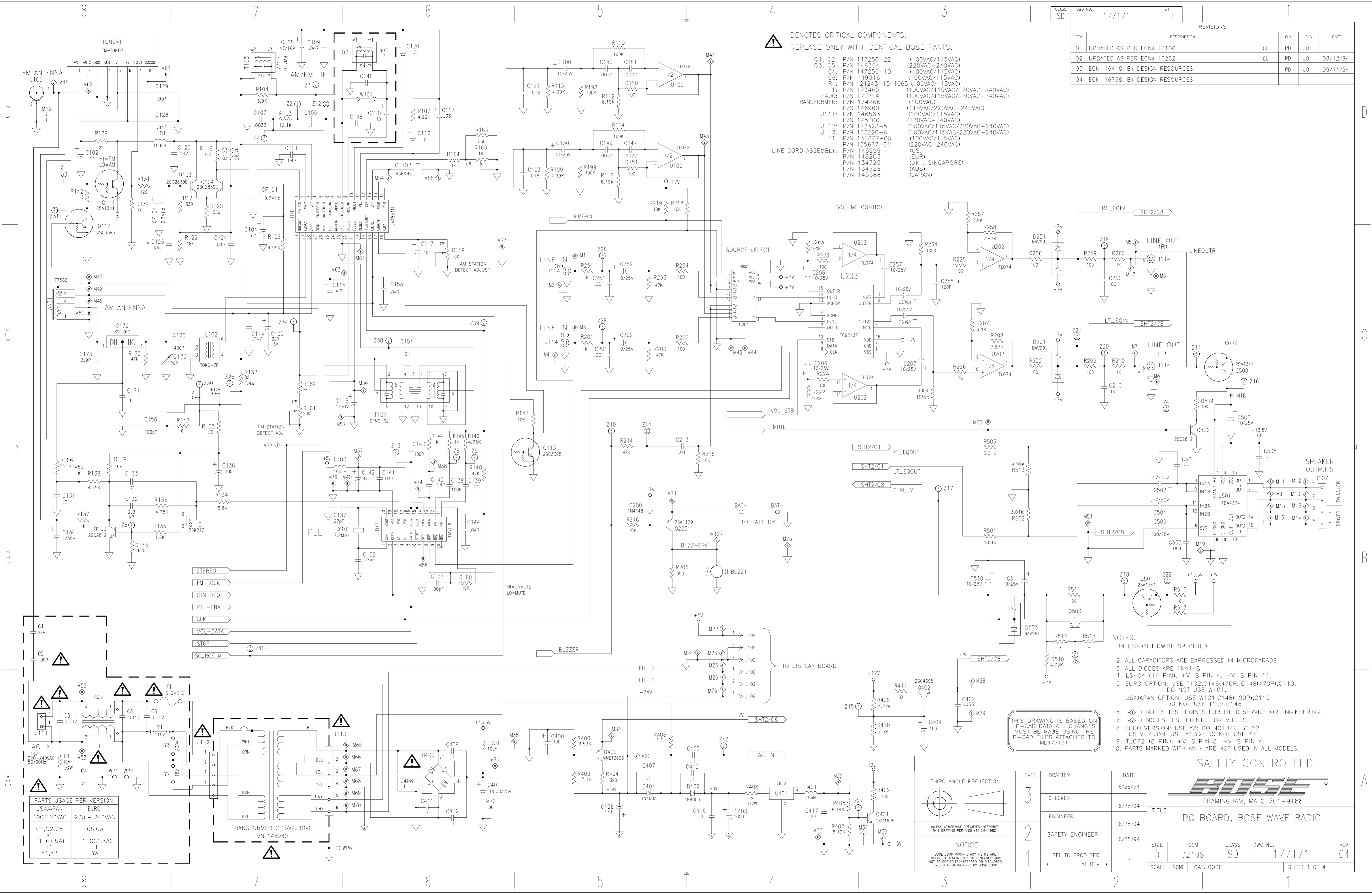


REVISIONS				
REV	DESCRIPTION	CHK	ENG	DATE
01	UPDATED AS PER ECN# 16106	GL	PD	JO
02	UPDATED AS PER ECN# 16282	GL	PD	JO
03	ECN-16418; BY DESIGN RESOURCES		PD	JO
04	ECN-16768; BY DESIGN RESOURCES			



- ⚠ DENOTES CRITICAL COMPONENTS.  
REPLACE ONLY WITH IDENTICAL BOSE PARTS.
- C1, C2: P/N 147250-221 (100VAC/115VAC)
  - C3, C5: P/N 146354 (220VAC-240VAC)
  - C4: P/N 147250-101 (100VAC/115VAC)
  - C6: P/N 149016 (100VAC/115VAC)
  - R1: P/N 121243-1511065 (100VAC/115VAC)
  - L1: P/N 173465 (100VAC/115VAC/220VAC-240VAC)
  - B400: P/N 170214 (100VAC/115VAC/220VAC-240VAC)
  - P/N 174266 (100VAC)
  - P/N 146960 (115VAC/220VAC-240VAC)
  - J111: P/N 146563 (100VAC/115VAC)
  - P/N 145306 (220VAC-240VAC)
  - J112: P/N 172323-5 (100VAC/115VAC/220VAC-240VAC)
  - J113: P/N 133220-6 (100VAC/115VAC/220VAC-240VAC)
  - F1: P/N 135677-00 (100VAC/115VAC)
  - P/N 135677-01 (220VAC-240VAC)
  - LINE CORD ASSEMBLY: P/N 146999 (US), P/N 148203 (EUR), P/N 134725 (UK - SINGAPORE), P/N 134726 (AUS), P/N 145588 (JAPAN)

- STEREO
- FM-LOCK
- STN\_REQ
- PLL-ENAB
- CLK
- VOL-DATA
- STOP
- SOURCE-M

- NOTES:  
UNLESS OTHERWISE SPECIFIED:
- ALL CAPACITORS ARE EXPRESSED IN MICROFARADS.
  - ALL DIODES ARE 1N4148.
  - LS404 (14 PIN): +V IS PIN 4, -V IS PIN 11.
  - EURO OPTION: USE T102,C146(470P),C148(470P),C110. DO NOT USE W101.
  - US/JAPAN OPTION: USE W101,C148(100P),C110. DO NOT USE T102,C146.
  - ⊕ DENOTES TEST POINTS FOR FIELD SERVICE OR ENGINEERING.
  - ⊙ DENOTES TEST POINTS FOR M.E.T.S.
  - EURO VERSION: USE Y3; DO NOT USE Y1,Y2.
  - US VERSION: USE Y1,Y2; DO NOT USE Y3.
  - TLO72 (8 PIN): +V IS PIN 8, -V IS PIN 4.
  - PARTS MARKED WITH AN \* ARE NOT USED IN ALL MODELS.

PARTS USAGE PER VERSION

US/JAPAN	EURO
100/120VAC	220 ~ 240VAC
C1,C2,C6	C5,C3
F1 (0.5A)	F1 (0.25A)
L1	Y3
Y1,Y2	

SAFETY CONTROLLED

**BOSE**  
FRAMINGHAM, MA 01701-9168

TITLE: PC BOARD, BOSE WAVE RADIO

LEVEL	DRAFTER	DATE
3		6/28/94
2	SAFETY ENGINEER	6/28/94
1	REL TO PROD PER	6/28/94

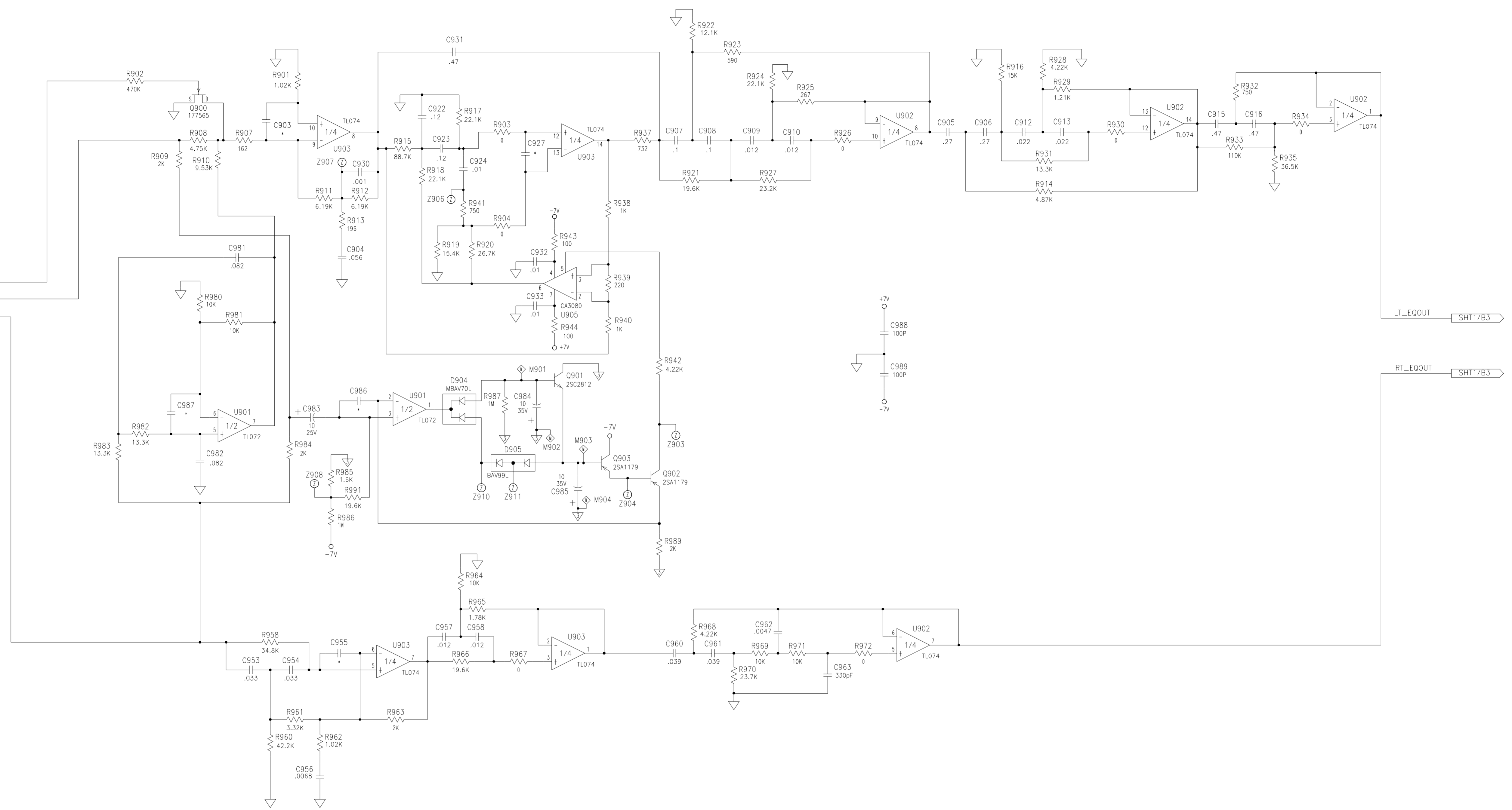
UNLESS OTHERWISE SPECIFIED INTERPRET THIS DRAWING PER ANSI Y14.3M-1982

NOTICE: BOSE CORP PROPRIETARY RIGHTS ARE INCLUDED HEREIN. THIS INFORMATION MAY NOT BE COPIED, TRANSMITTED OR DISCLOSED EXCEPT AS AUTHORIZED BY BOSE CORP.

SIZE	FSCM	CLASS	DWG NO.	REV
D	32108	SD	177171	04

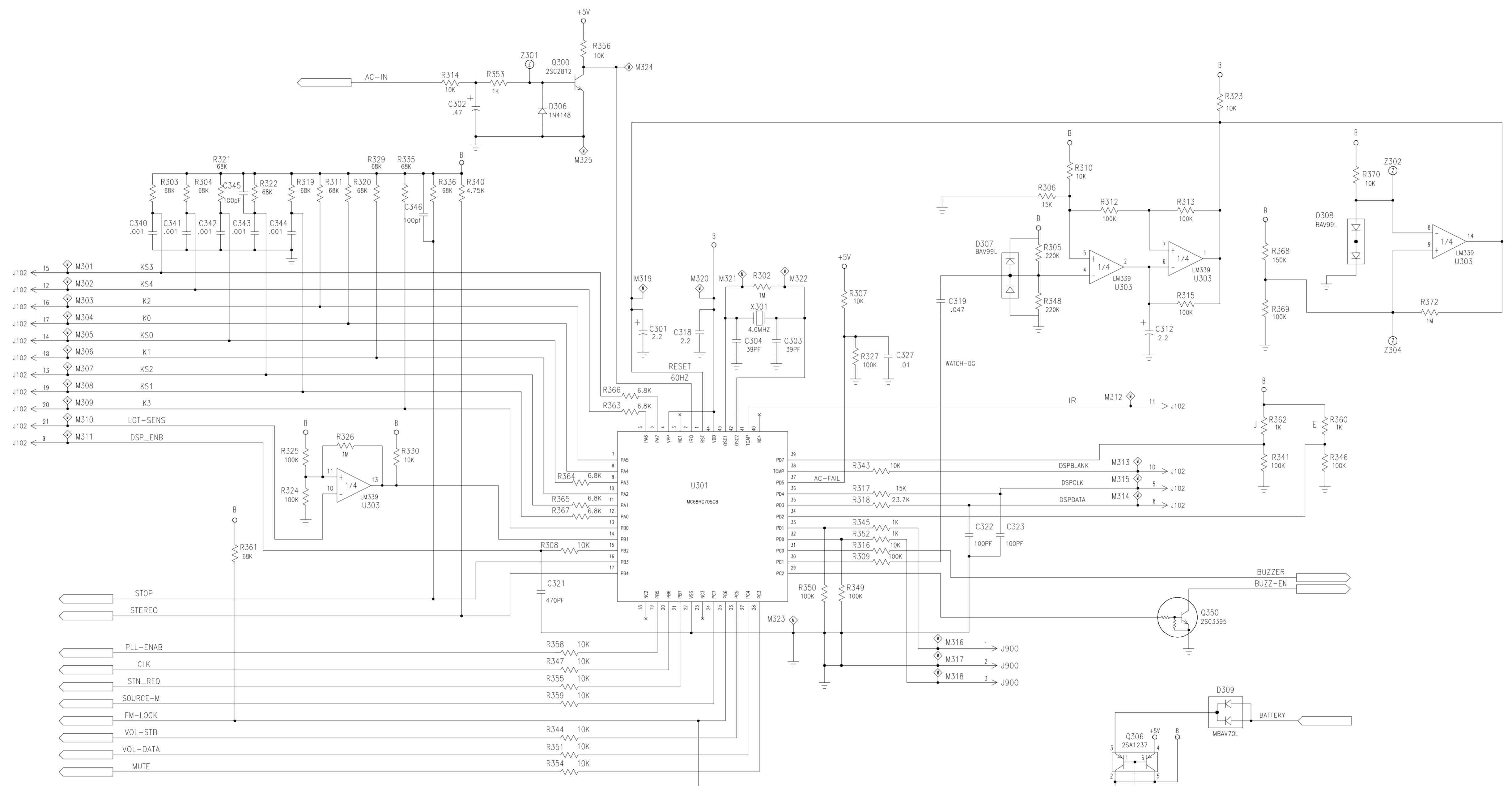
SCALE: NONE CAT. CODE: SHEET 1 OF 4

- SHT1/CT CTRL\_V
- SHT1/CT LT\_EQIN
- SHT1/CT RT\_EQIN
- SHT1/CT +7V
- SHT1/CT -7V



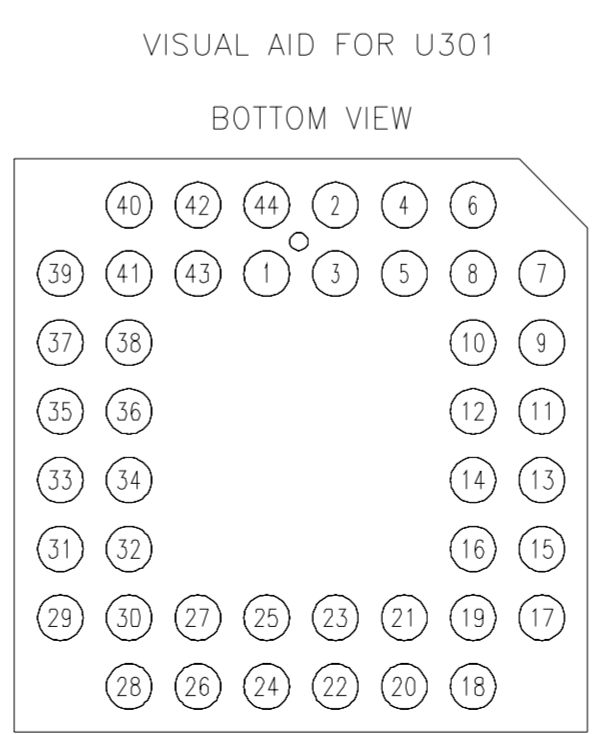
THIS DRAWING IS BASED ON P-CAD DATA ALL CHANGES MUST BE MADE USING THE P-CAD FILES ATTACHED TO MD177171

SIZE	FSCM	CLASS	DWG NO.	REV
D	32108	SD	177171	04
SCALE				SHEET 2 OF 4



- J102 15 M301 KS3
- J102 12 M302 KS4
- J102 16 M303 K2
- J102 17 M304 K0
- J102 14 M305 KS0
- J102 18 M306 K1
- J102 13 M307 KS2
- J102 19 M308 KS1
- J102 20 M309 K3
- J102 21 M310 LGT-SENS
- J102 9 M311 DSP\_ENB

- STOP
- STEREO
- PLL-ENAB
- CLK
- STN\_REQ
- SOURCE-M
- FM-LOCK
- VOL-STB
- VOL-DATA
- MUTE



THIS DRAWING IS BASED ON P-CAD DATA ALL CHANGES MUST BE MADE USING THE P-CAD FILES ATTACHED TO MD177171

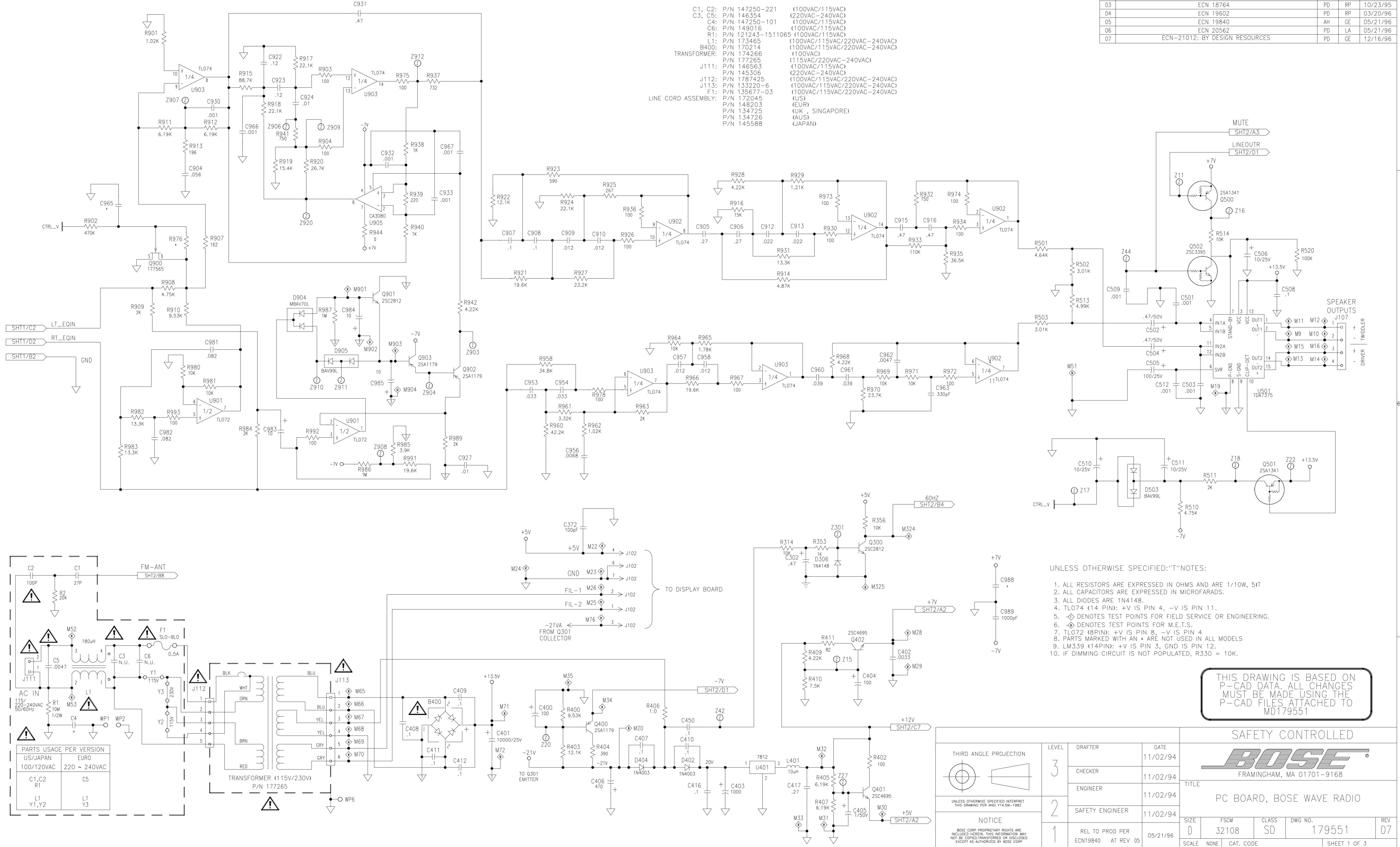
SIZE	FSCM	CLASS	DWG NO.	REV
D	32108	SD	177171	04
SCALE	CAT. CODE	SHEET 3 OF 4		



CLASS	DWG NO.	SW	REVISIONS				
SD	179551	1	REV	DESCRIPTION	CHK	ENG	DATE
			01	ECN 16934	PD	JO	12/21/94
			02	ECN-17222: BY DESIGN RESOURCES	PD	JO	02/14/95
			03	ECN 18764	PD	RP	10/23/95
			04	ECN 19602	PD	RP	03/20/96
			05	ECN 19840	AH	GE	05/21/96
			06	ECN 20562	PD	LA	05/21/96
			07	ECN-21012: BY DESIGN RESOURCES	PD	GE	12/16/96

⚠ DENOTES CRITICAL COMPONENTS.  
REPLACE ONLY WITH IDENTICAL BOSE PARTS.

- C1, C2: P/N 147250-221 (100VAC/115VAC)
- C3, C5: P/N 146354 (220VAC-240VAC)
- C4: P/N 147250-101 (100VAC/115VAC)
- C6: P/N 149016 (100VAC/115VAC)
- R1: P/N 121243-1511065 (100VAC/115VAC)
- L1: P/N 173465 (100VAC/115VAC/220VAC-240VAC)
- B400: P/N 170214 (100VAC/115VAC/220VAC-240VAC)
- TRANSFORMER: P/N 174266 (100VAC)
- P/N 177265 (115VAC/220VAC-240VAC)
- P/N 146563 (100VAC/115VAC)
- P/N 145306 (220VAC-240VAC)
- J112: P/N 1787425 (100VAC/115VAC/220VAC-240VAC)
- J113: P/N 133220-6 (100VAC/115VAC/220VAC-240VAC)
- F1: P/N 135677-03 (100VAC/115VAC/220VAC-240VAC)
- LINE CORD ASSEMBLY: P/N 172045 (US)
- P/N 148203 (EUR)
- P/N 134725 (UK/SINGAPORE)
- P/N 134726 (AUS)
- P/N 145588 (JAPAN)



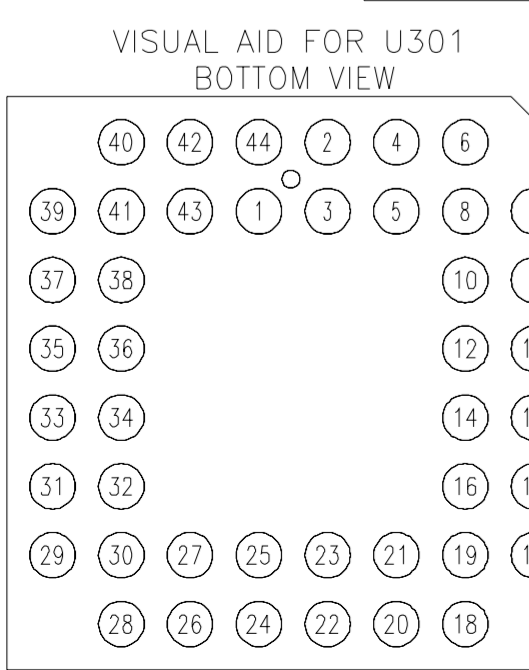
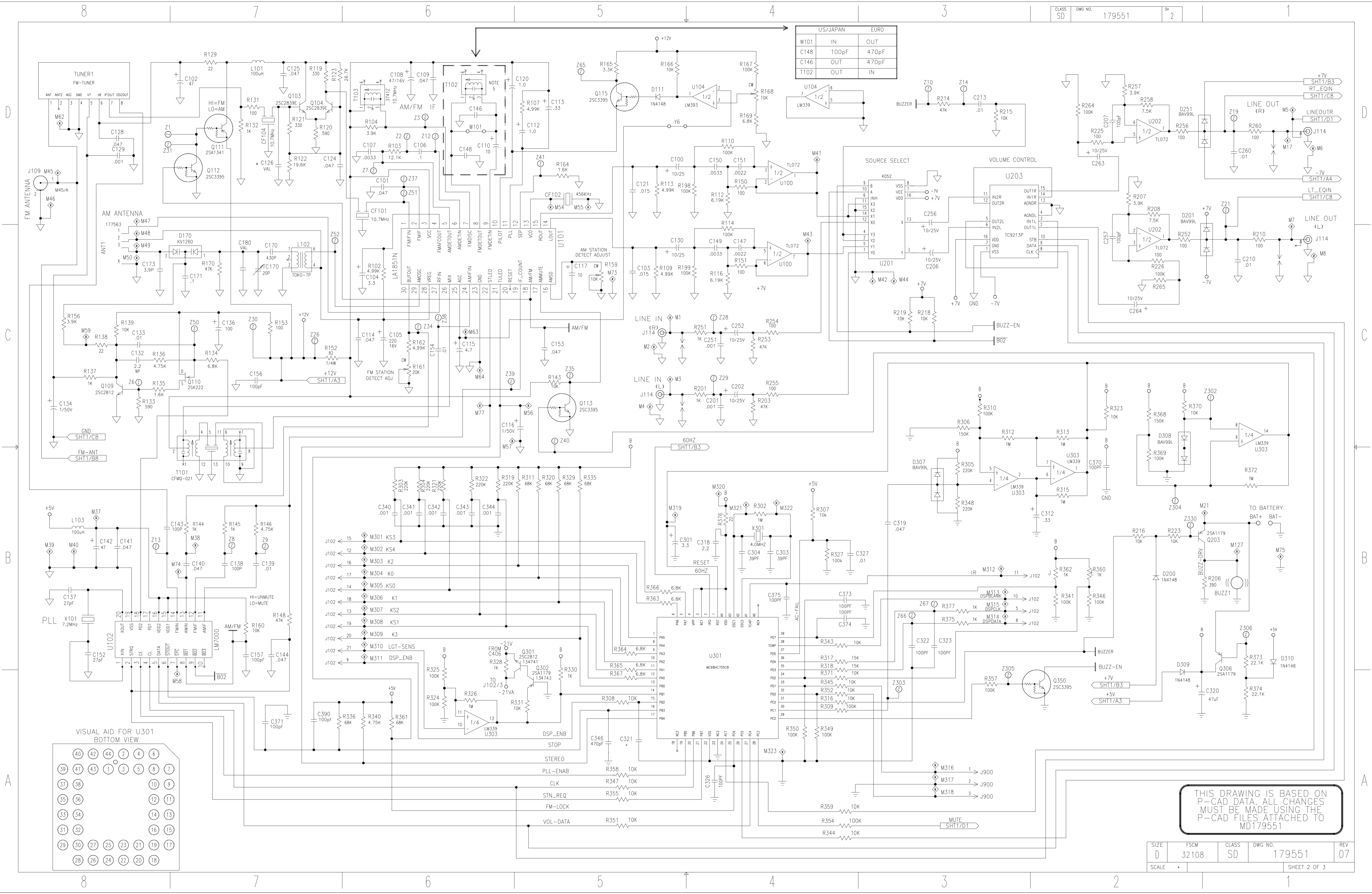
- UNLESS OTHERWISE SPECIFIED: "T" NOTES:
- ALL RESISTORS ARE EXPRESSED IN OHMS AND ARE 1/10W, 51T
  - ALL CAPACITORS ARE EXPRESSED IN MICROFARADS.
  - ALL DIODES ARE 1N4148.
  - TL074 (14 PIN): +V IS PIN 4, -V IS PIN 11.
  - ⊕ DENOTES TEST POINTS FOR FIELD SERVICE OR ENGINEERING.
  - ⊙ DENOTES TEST POINTS FOR M.E.T.S.
  - TL072 (8PIN): +V IS PIN 8, -V IS PIN 4
  - PARTS MARKED WITH AN \* ARE NOT USED IN ALL MODELS
  - LM339 (14PIN): +V IS PIN 3, GND IS PIN 12.
  - IF DIMMING CIRCUIT IS NOT POPULATED, R330 = 10K.

THIS DRAWING IS BASED ON P-CAD DATA. ALL CHANGES MUST BE MADE USING THE P-CAD FILES ATTACHED TO MD179551

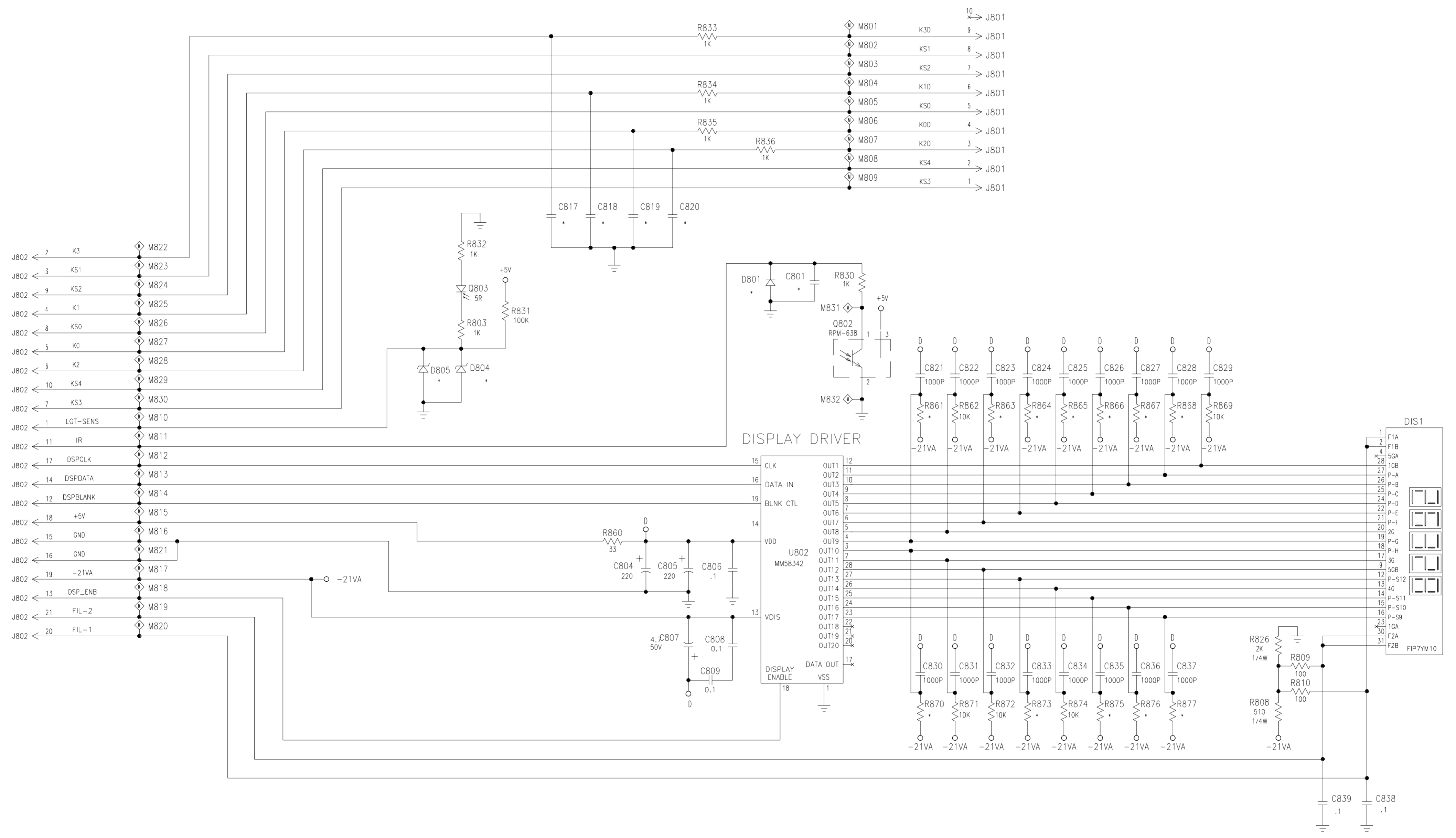
PARTS USAGE PER VERSION		
US/JAPAN	EURO	
100/120VAC	220 ~ 240VAC	
C1, C2	C5	
R1	L1	
Y1, Y2	Y3	

THIRD ANGLE PROJECTION				SAFETY CONTROLLED																		
LEVEL	DRAFTER	CHECKER	DATE																			
								FRAMINGHAM, MA 01701-9168														
				TITLE																		
PC BOARD, BOSE WAVE RADIO				<table border="1"> <tr> <td>SIZE</td> <td>FSCM</td> <td>CLASS</td> <td>DWG NO.</td> <td>REV</td> </tr> <tr> <td>D</td> <td>32108</td> <td>SD</td> <td>179551</td> <td>07</td> </tr> <tr> <td>SCALE</td> <td>NONE</td> <td>CAT. CODE</td> <td colspan="2">SHEET 1 OF 3</td> </tr> </table>				SIZE	FSCM	CLASS	DWG NO.	REV	D	32108	SD	179551	07	SCALE	NONE	CAT. CODE	SHEET 1 OF 3	
SIZE	FSCM	CLASS	DWG NO.	REV																		
D	32108	SD	179551	07																		
SCALE	NONE	CAT. CODE	SHEET 1 OF 3																			
<p>UNLESS OTHERWISE SPECIFIED INTERPRET THIS DRAWING PER ANSI Y14.3M-1982</p> <p>NOTICE</p> <p>BOSE CORP PROPRIETARY RIGHTS ARE INCLUDED HEREIN. THIS INFORMATION MAY NOT BE COPIED, TRANSMITTED OR DISCLOSED EXCEPT AS AUTHORIZED BY BOSE CORP</p>				<table border="1"> <tr> <td>REL TO PROD PER</td> <td>DATE</td> </tr> <tr> <td>ECN19840</td> <td>05/21/96</td> </tr> <tr> <td>AT REV 05</td> <td></td> </tr> </table>				REL TO PROD PER	DATE	ECN19840	05/21/96	AT REV 05										
REL TO PROD PER	DATE																					
ECN19840	05/21/96																					
AT REV 05																						

US/JAPAN		EURO	
W101	IN	OUT	
C148	100pF	470pF	
C146	OUT	470pF	
T102	OUT		IN



THIS DRAWING IS BASED ON P-CAD DATA. ALL CHANGES MUST BE MADE USING THE P-CAD FILES ATTACHED TO MD179551



- J802 ← 2 K3 M822
- J802 ← 3 KS1 M823
- J802 ← 3 KS2 M824
- J802 ← 4 K1 M825
- J802 ← 8 KS0 M826
- J802 ← 5 K0 M827
- J802 ← 6 K2 M828
- J802 ← 10 KS4 M829
- J802 ← 7 KS3 M830
- J802 ← 1 LGT-SENS M810
- J802 ← 11 IR M811
- J802 ← 17 DSPCLK M812
- J802 ← 14 DSPDATA M813
- J802 ← 12 DSPBLANK M814
- J802 ← 18 +5V M815
- J802 ← 15 GND M816
- J802 ← 16 GND M821
- J802 ← 19 -21VA M817
- J802 ← 13 DSP\_ENB M818
- J802 ← 21 FIL-2 M819
- J802 ← 20 FIL-1 M820

THIS DRAWING IS BASED ON P-CAD DATA. ALL CHANGES MUST BE MADE USING THE P-CAD FILES ATTACHED TO MD179551

SIZE D	FSCM 32108	CLASS SD	DWG NO. 179551	REV 07
SCALE	CAT. CODE	SHEET 3 OF 3		