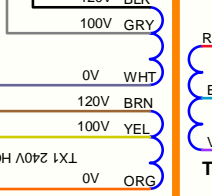
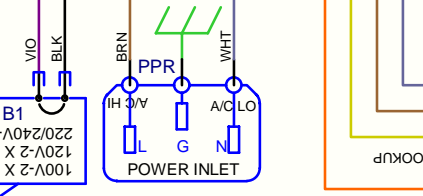
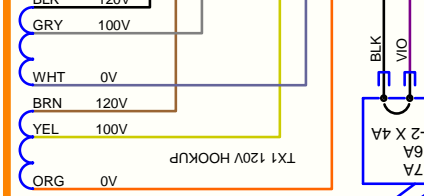
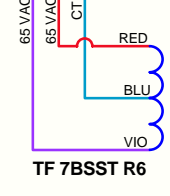
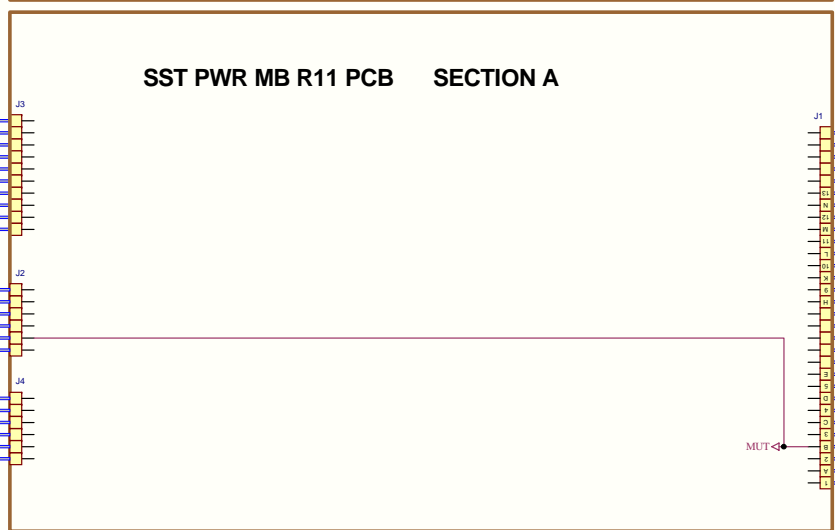
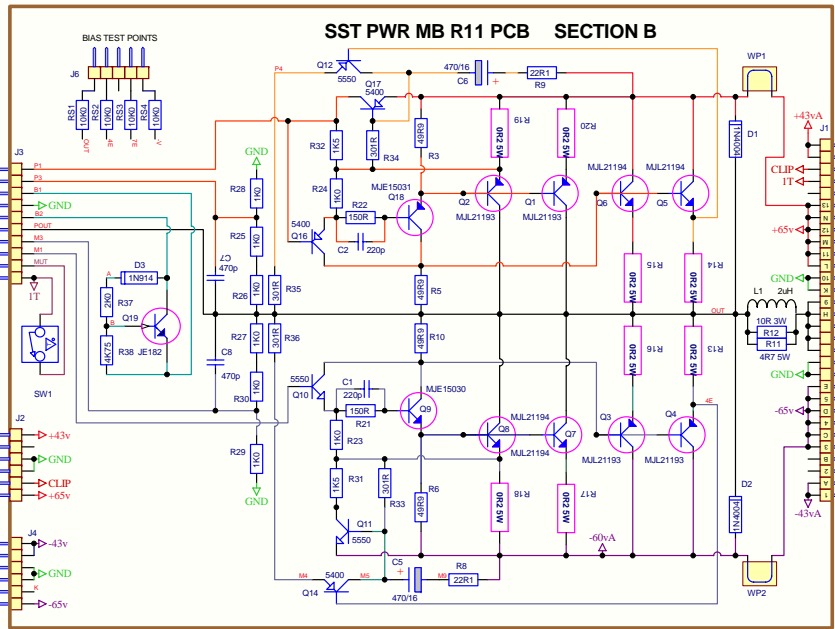
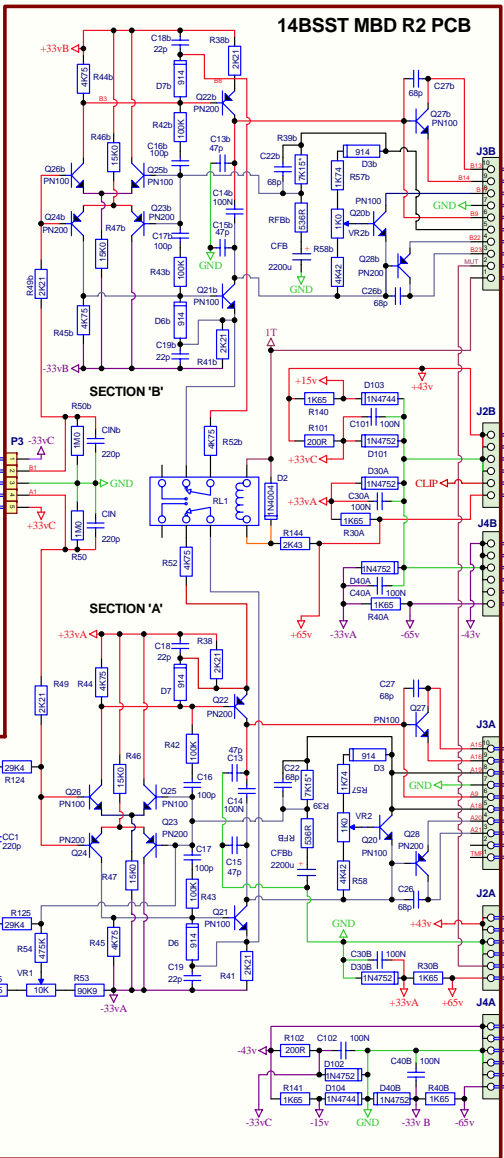
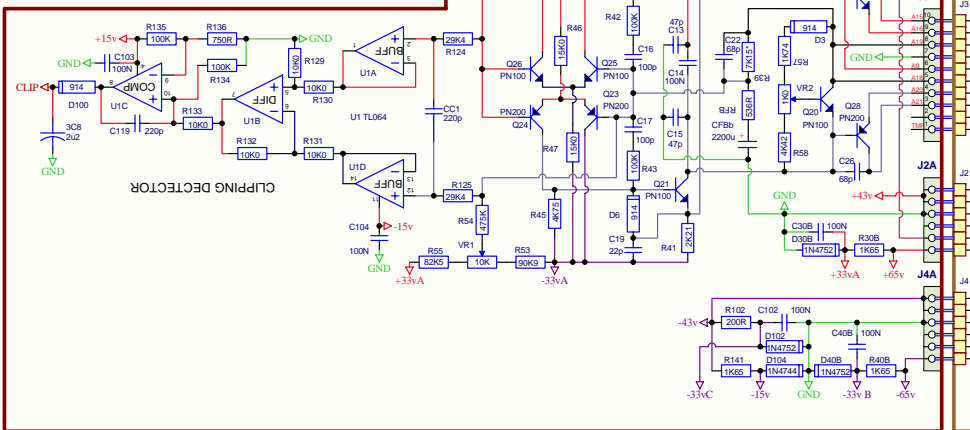
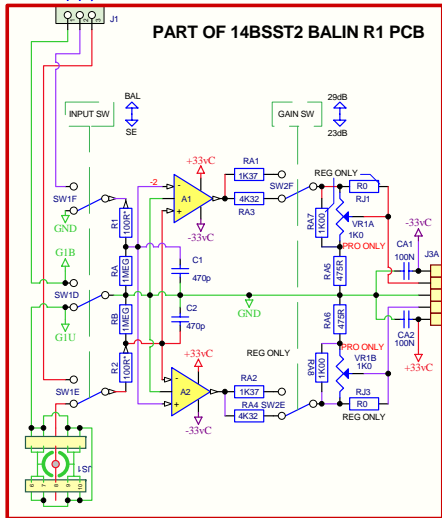
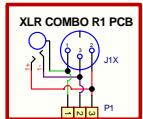


TX1+2 HOOKUP PRIMARY HOOKUP

240V	220V	PIN	120V	100V
ORG	YEL	1	ORG	YEL
NC	NC	2	WH	GRY
YEL	ORG	3	YEL	ORG
BRN	BRN	4	NC	NC
WHT	WH	5	NC	NC
GRY	GRY	6	GRY	WH
NC	NC	7	BRN	BRN
BLK	BLK	8	BLK	BLK





14BSST2 CHANNEL SCHEMATIC

File :	Sheet : 1 of	Size : C
Date : 1003	Drawn : ST	Rev :

14BSST2 CHANNEL SCHEMATIC