

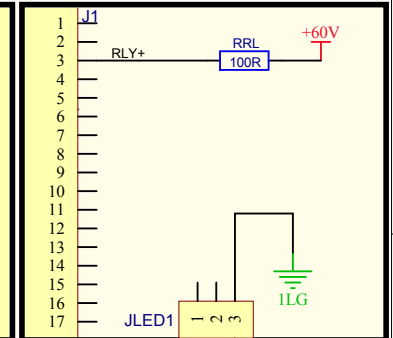
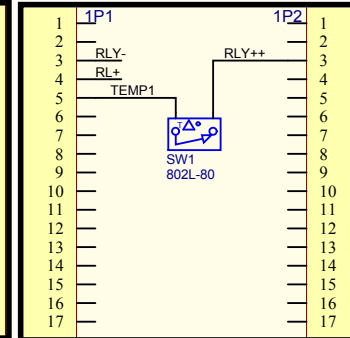
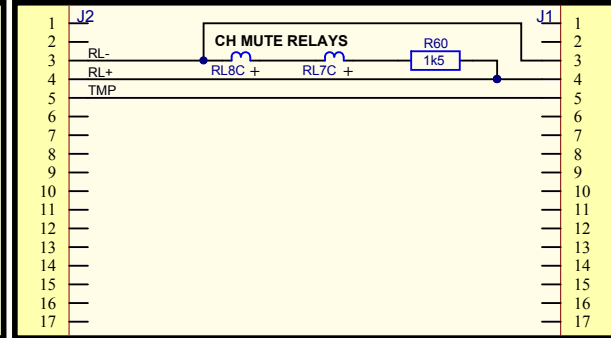
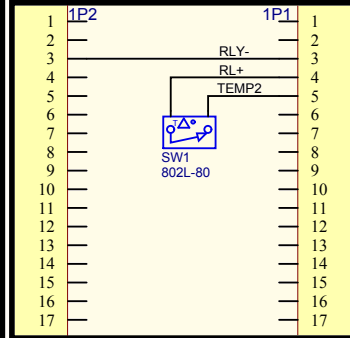
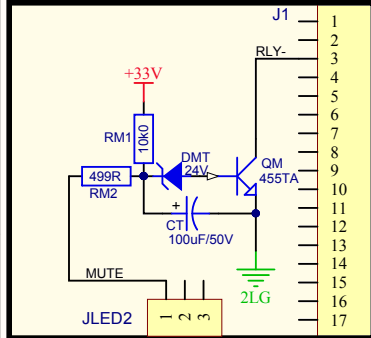
B135 2BSST CH A PSB R1

B135 2BSST 875 CH A

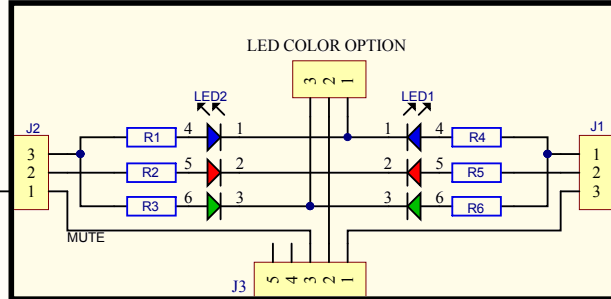
2.5BSST2 IN OUT SM

B135 2BSST 875 CH B

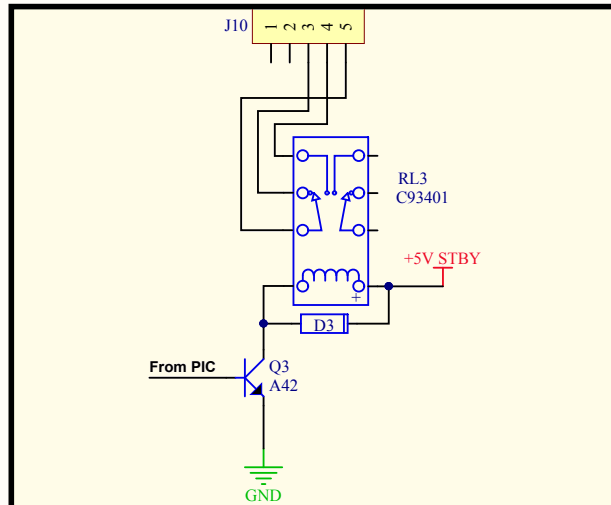
B135 2BSST CH B PSB R1



2.5BSST2 LED PWR SW



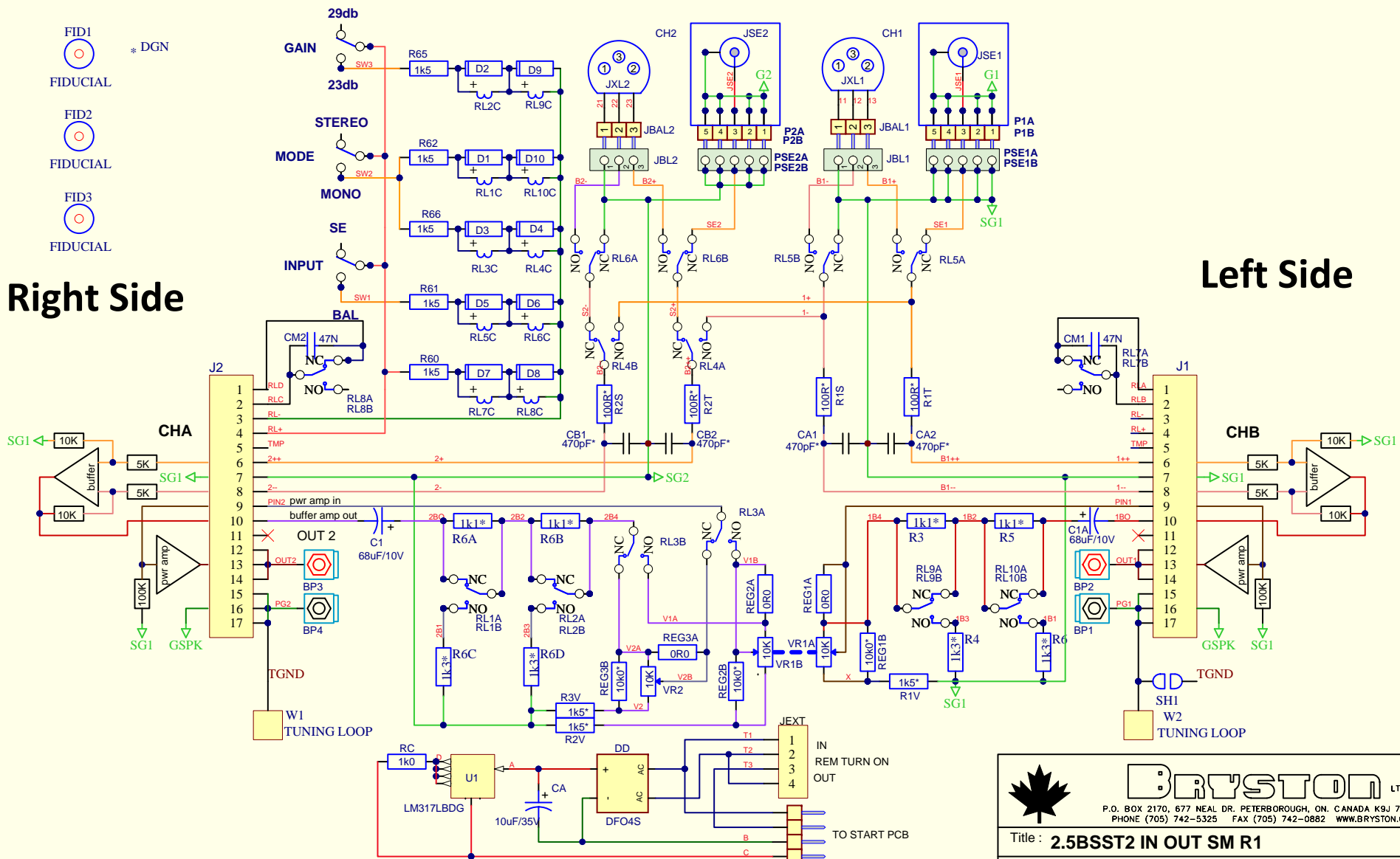
2.5BSST2 START BOARD



| | | |
|-------------------------------------------------|------------------------------------------------|----------|
| Title | | |
| 2.5BSST2 CHANNEL MUTE OVERVIEW SCHEMATIC | | |
| Size | Number | Revision |
| A4 | | |
| Date: | 10-02-2013 | Sheet of |
| File: | Z:\2.5BSST\2.5BSST2 Channel Mute Schematic.Doc | 12 of 12 |

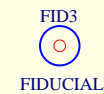
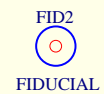
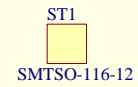
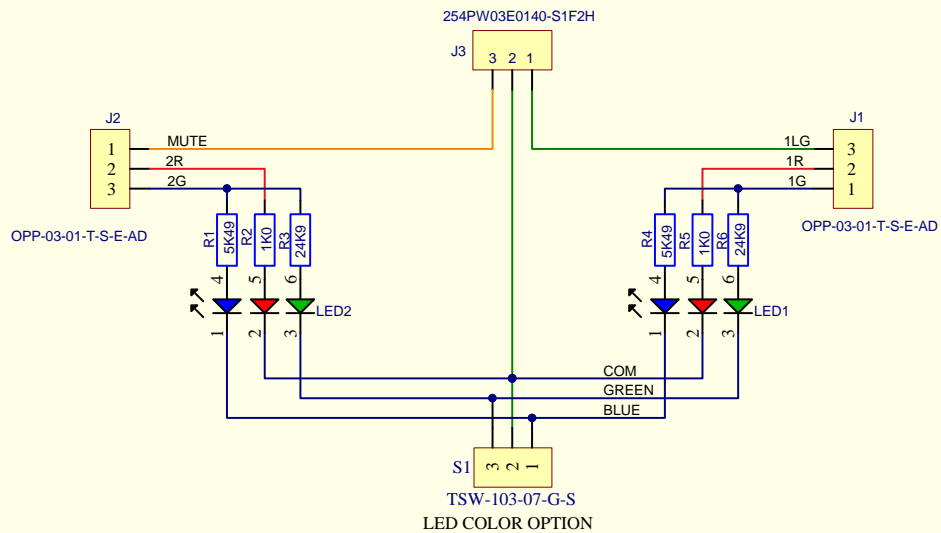
Right Side

Left Side



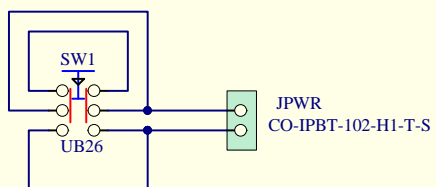
BRYSTON LTD
 P.O. BOX 2170, 677 NEAL DR. PETERBOROUGH, ON. CANADA K9J 7Y4
 PHONE (705) 742-5325 FAX (705) 742-0882 WWW.BRYSTON.CA

Title: **2.5BSST2 IN OUT SM R1**
 File: **2.5BSST2 IN-OUT SM R1** Sheet: 1 of 1 Rev: 1
 Date: **Nov 2012** Drawn: **DGN**



Blank PCB

2.5BSST2 LED PWR SW R1 PANEL



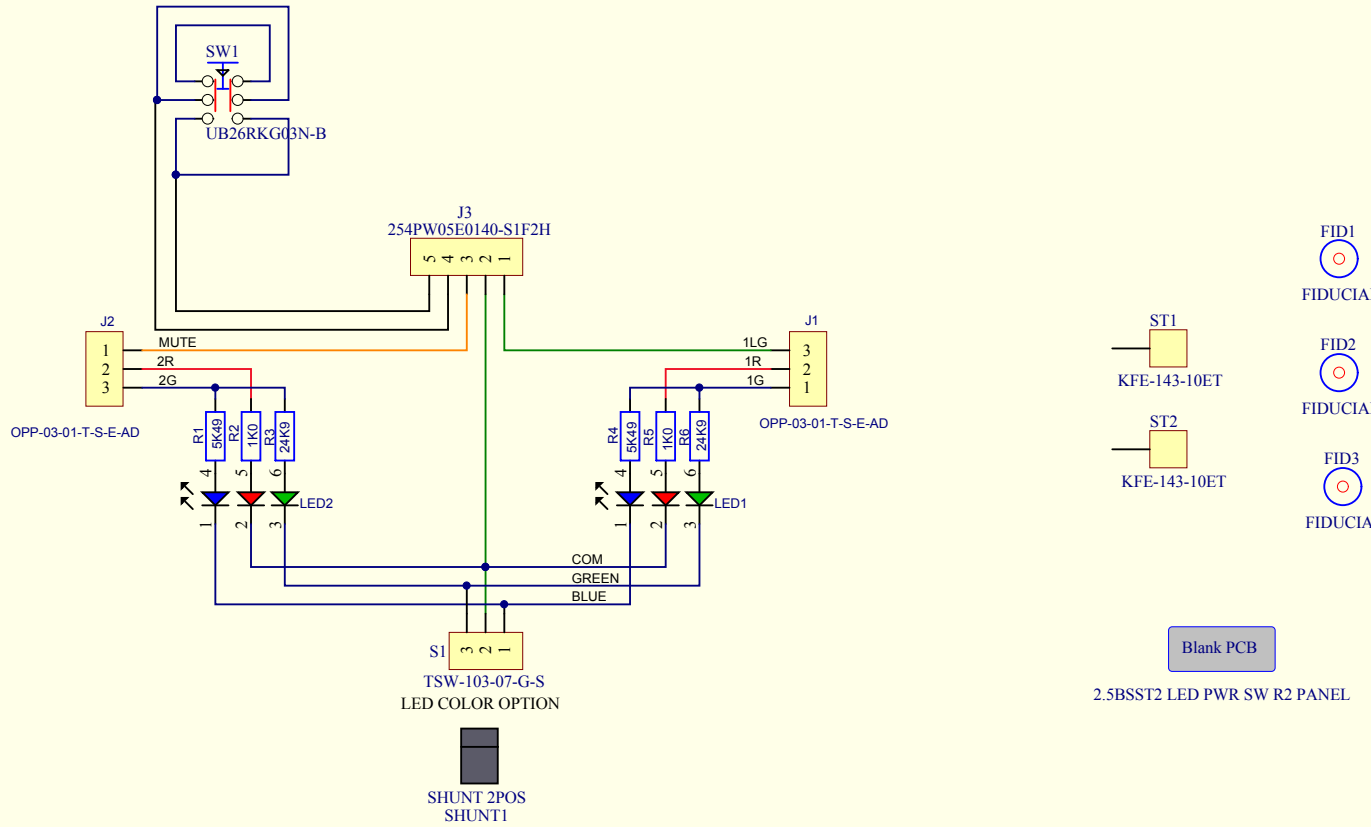
Size :
A

Title :
2.5BSST2 LED PWR SW R1

Rev :
1.0

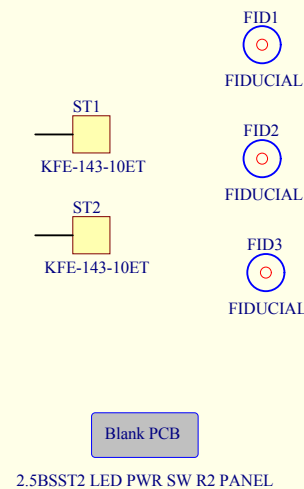
File : 2.5BSST2 LED PWR SW R1.SCH
Date : 12-18-2012

Sheet : 1 of 1
Drawn :



REVISIONS

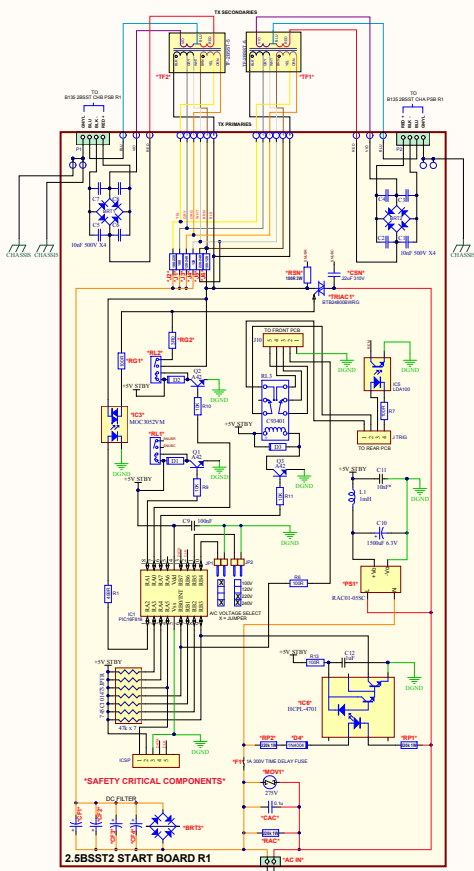
R1: PROTOTYPE
 R2: CHANGED J3 TO 5PIN CONNECTOR
 RESPECIFIED SWITCH SW1 TO LOW CURRENT VERSION
 RESPECIFIED STANDOFFS TO BROACHING TYPE
 ADDED MATERIAL AROUND STANDOFFS TO MEET
 0.22" HOLE TO EDGE CLEARANCE



| | | | |
|---------|--------------------------------|------------------------|--------|
| | | Size : | A |
| | | Rev : | 2.0 |
| Title : | | 2.5BSST2 LED PWR SW R2 | |
| File : | 2.5BSST2 LED PWR SW R2..SchDoc | Sheet : | 1 of 1 |
| Date : | 04-17-2013 | Drawn : | |

2.5BSST2 OVERALL SCHEMATIC

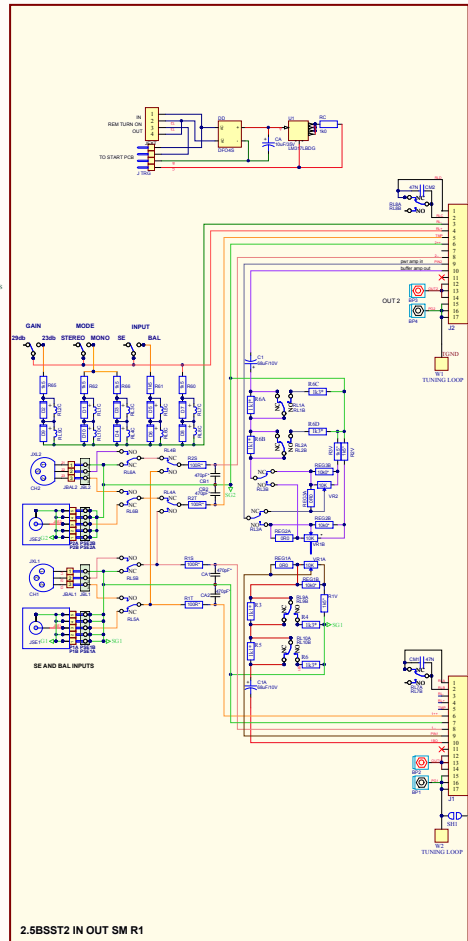
POWER TRANSFORMERS



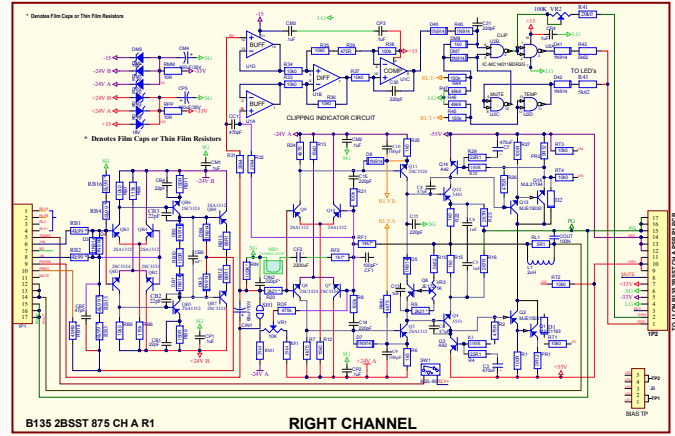
2.5BSST2 START BOARD R1

| WIRE COLOR | WIRE GAUGE | FUSE |
|------------|------------|------|
| RED | 18 AWG | 1.5A |
| BLACK | 18 AWG | 1.5A |
| GREEN | 18 AWG | 1.5A |
| YELLOW | 18 AWG | 1.5A |
| BLUE | 18 AWG | 1.5A |
| PURPLE | 18 AWG | 1.5A |
| BROWN | 18 AWG | 1.5A |
| TEAL | 18 AWG | 1.5A |
| PINK | 18 AWG | 1.5A |
| ORANGE | 18 AWG | 1.5A |
| SLIVER | 18 AWG | 1.5A |
| WHITE | 18 AWG | 1.5A |

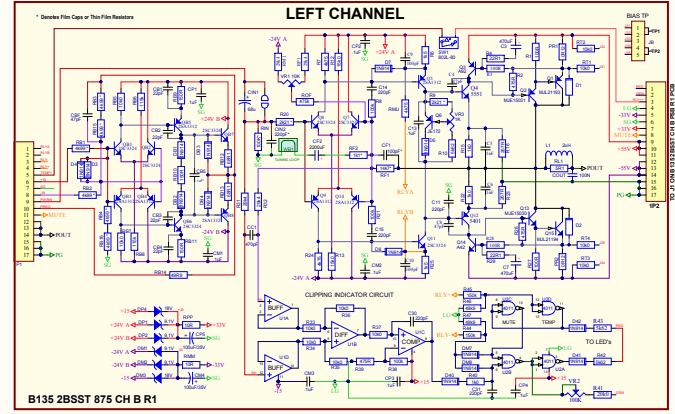
"POWER ENTRY MODULE"
 WITH SAFETY TO THE MAIN FUSE
 TE CROWN BREAK-IT
 CLOSURE



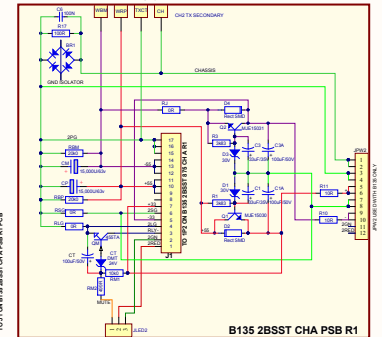
2.5BSST2 IN OUT SM R1



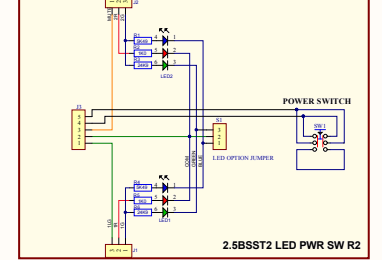
B135 2BSST 875 CH A R1 RIGHT CHANNEL



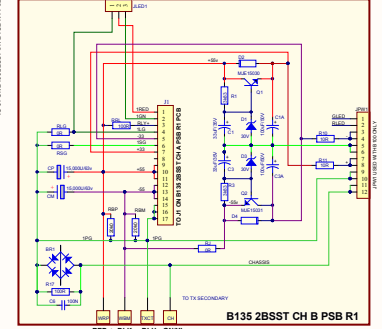
B135 2BSST 875 CH B R1 LEFT CHANNEL



B135 2BSST CHA PSB R1

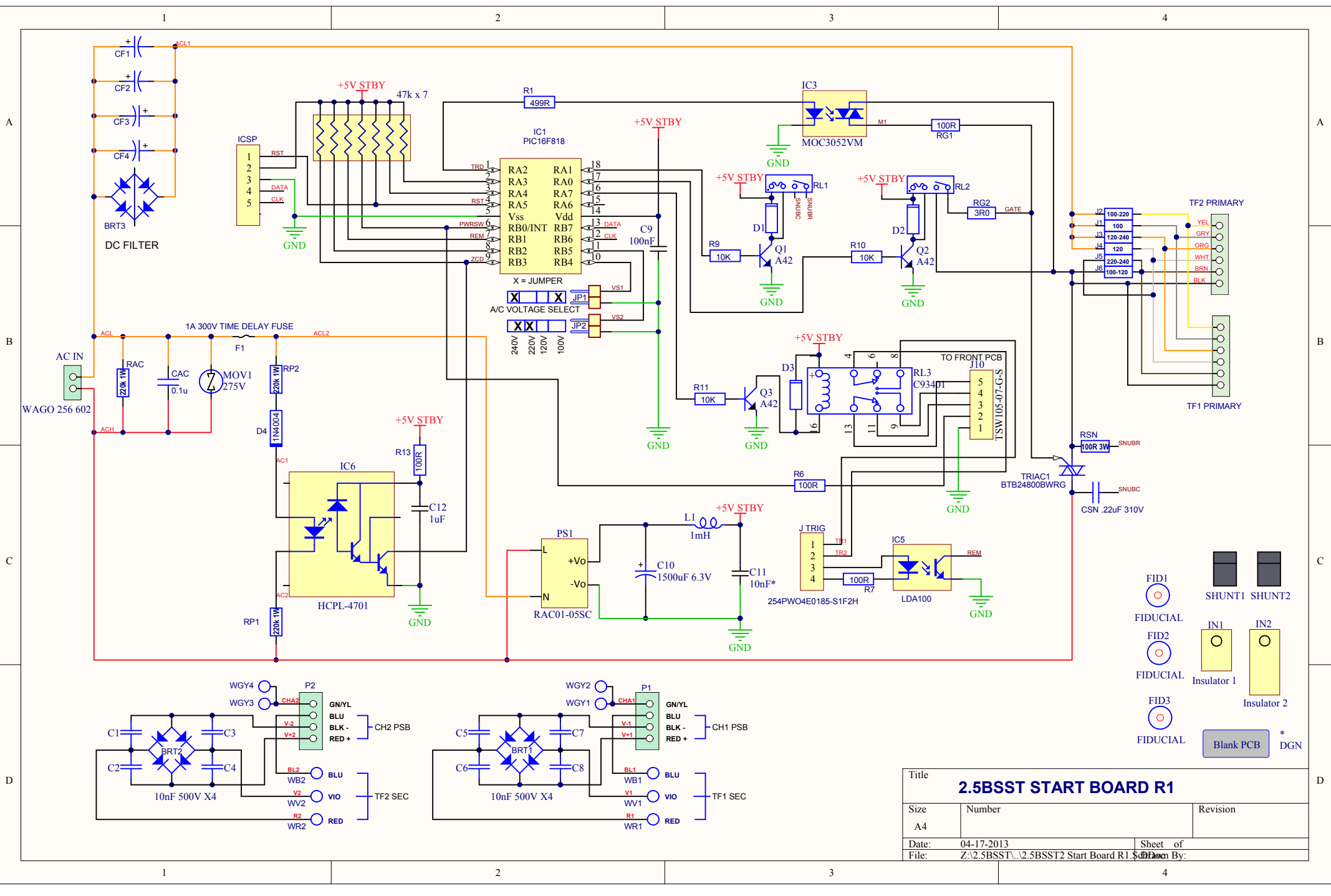


2.5BSST2 LED PWR SW R2



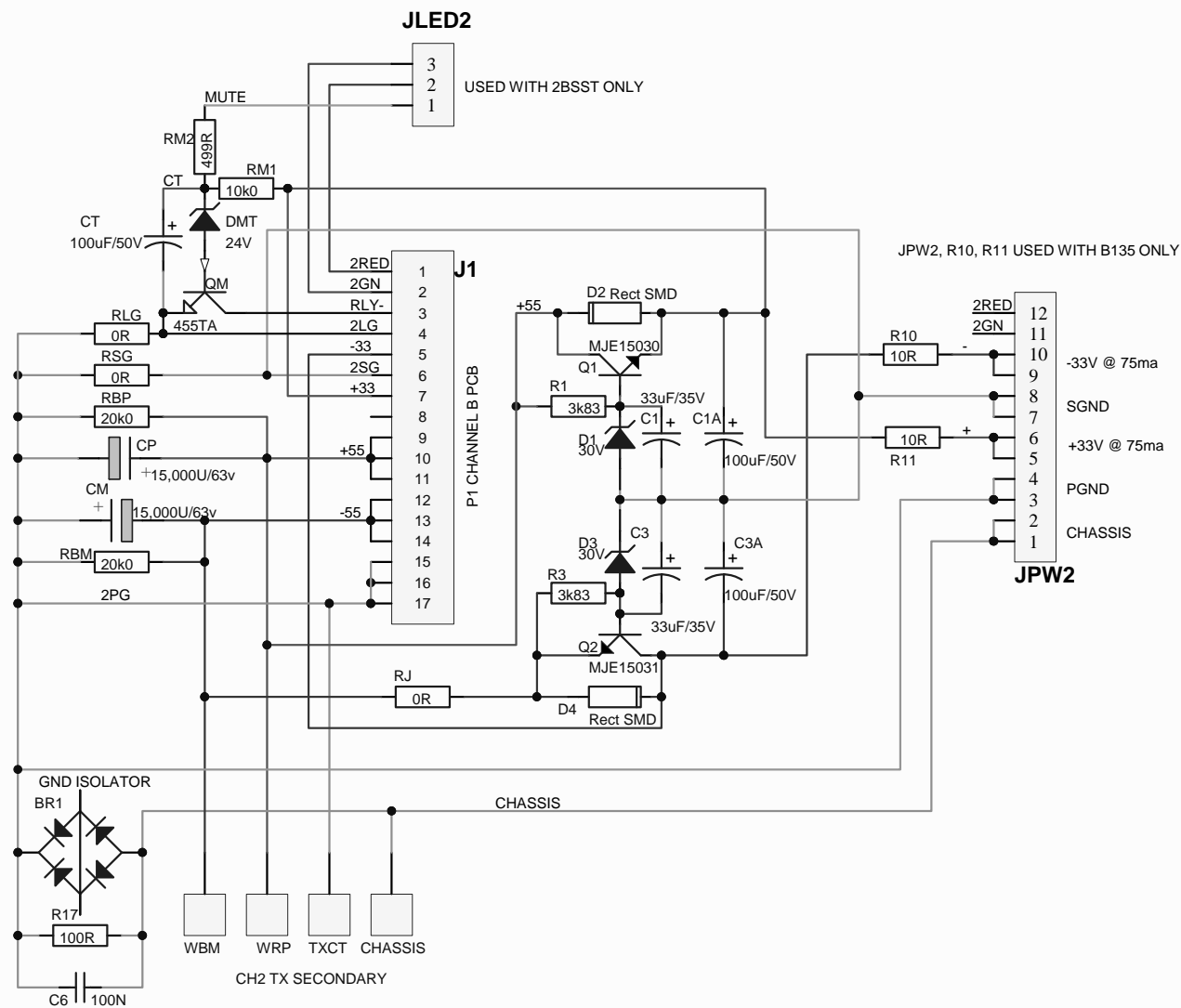
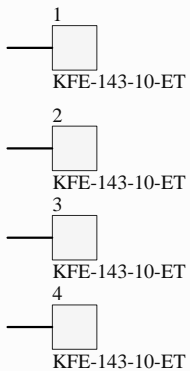
B135 2BSST CH B PSB R1

| File | Number | Revision |
|----------|--------|----------|
| 2.5BSST2 | 001 | 1 |
| 2.5BSST2 | 002 | 2 |
| 2.5BSST2 | 003 | 3 |
| 2.5BSST2 | 004 | 4 |
| 2.5BSST2 | 005 | 5 |
| 2.5BSST2 | 006 | 6 |
| 2.5BSST2 | 007 | 7 |
| 2.5BSST2 | 008 | 8 |
| 2.5BSST2 | 009 | 9 |
| 2.5BSST2 | 010 | 10 |
| 2.5BSST2 | 011 | 11 |
| 2.5BSST2 | 012 | 12 |
| 2.5BSST2 | 013 | 13 |
| 2.5BSST2 | 014 | 14 |
| 2.5BSST2 | 015 | 15 |
| 2.5BSST2 | 016 | 16 |
| 2.5BSST2 | 017 | 17 |
| 2.5BSST2 | 018 | 18 |
| 2.5BSST2 | 019 | 19 |
| 2.5BSST2 | 020 | 20 |
| 2.5BSST2 | 021 | 21 |
| 2.5BSST2 | 022 | 22 |
| 2.5BSST2 | 023 | 23 |
| 2.5BSST2 | 024 | 24 |
| 2.5BSST2 | 025 | 25 |
| 2.5BSST2 | 026 | 26 |
| 2.5BSST2 | 027 | 27 |
| 2.5BSST2 | 028 | 28 |
| 2.5BSST2 | 029 | 29 |
| 2.5BSST2 | 030 | 30 |
| 2.5BSST2 | 031 | 31 |
| 2.5BSST2 | 032 | 32 |
| 2.5BSST2 | 033 | 33 |
| 2.5BSST2 | 034 | 34 |
| 2.5BSST2 | 035 | 35 |
| 2.5BSST2 | 036 | 36 |
| 2.5BSST2 | 037 | 37 |
| 2.5BSST2 | 038 | 38 |
| 2.5BSST2 | 039 | 39 |
| 2.5BSST2 | 040 | 40 |
| 2.5BSST2 | 041 | 41 |
| 2.5BSST2 | 042 | 42 |
| 2.5BSST2 | 043 | 43 |
| 2.5BSST2 | 044 | 44 |
| 2.5BSST2 | 045 | 45 |
| 2.5BSST2 | 046 | 46 |
| 2.5BSST2 | 047 | 47 |
| 2.5BSST2 | 048 | 48 |
| 2.5BSST2 | 049 | 49 |
| 2.5BSST2 | 050 | 50 |
| 2.5BSST2 | 051 | 51 |
| 2.5BSST2 | 052 | 52 |
| 2.5BSST2 | 053 | 53 |
| 2.5BSST2 | 054 | 54 |
| 2.5BSST2 | 055 | 55 |
| 2.5BSST2 | 056 | 56 |
| 2.5BSST2 | 057 | 57 |
| 2.5BSST2 | 058 | 58 |
| 2.5BSST2 | 059 | 59 |
| 2.5BSST2 | 060 | 60 |
| 2.5BSST2 | 061 | 61 |
| 2.5BSST2 | 062 | 62 |
| 2.5BSST2 | 063 | 63 |
| 2.5BSST2 | 064 | 64 |
| 2.5BSST2 | 065 | 65 |
| 2.5BSST2 | 066 | 66 |
| 2.5BSST2 | 067 | 67 |
| 2.5BSST2 | 068 | 68 |
| 2.5BSST2 | 069 | 69 |
| 2.5BSST2 | 070 | 70 |
| 2.5BSST2 | 071 | 71 |
| 2.5BSST2 | 072 | 72 |
| 2.5BSST2 | 073 | 73 |
| 2.5BSST2 | 074 | 74 |
| 2.5BSST2 | 075 | 75 |
| 2.5BSST2 | 076 | 76 |
| 2.5BSST2 | 077 | 77 |
| 2.5BSST2 | 078 | 78 |
| 2.5BSST2 | 079 | 79 |
| 2.5BSST2 | 080 | 80 |
| 2.5BSST2 | 081 | 81 |
| 2.5BSST2 | 082 | 82 |
| 2.5BSST2 | 083 | 83 |
| 2.5BSST2 | 084 | 84 |
| 2.5BSST2 | 085 | 85 |
| 2.5BSST2 | 086 | 86 |
| 2.5BSST2 | 087 | 87 |
| 2.5BSST2 | 088 | 88 |
| 2.5BSST2 | 089 | 89 |
| 2.5BSST2 | 090 | 90 |
| 2.5BSST2 | 091 | 91 |
| 2.5BSST2 | 092 | 92 |
| 2.5BSST2 | 093 | 93 |
| 2.5BSST2 | 094 | 94 |
| 2.5BSST2 | 095 | 95 |
| 2.5BSST2 | 096 | 96 |
| 2.5BSST2 | 097 | 97 |
| 2.5BSST2 | 098 | 98 |
| 2.5BSST2 | 099 | 99 |
| 2.5BSST2 | 100 | 100 |



| | | |
|-------------------------------|-------------------------------------------|-----------|
| Title | | |
| 2.5BSST START BOARD R1 | | |
| Size | Number | Revision |
| A4 | | |
| Date: | 04-17-2013 | Sheet of |
| File: | Z:\2.5BSST\2.5BSST2 Start Board R1.SchDoc | Drawn By: |

B135 2BSST CHA PSB R1



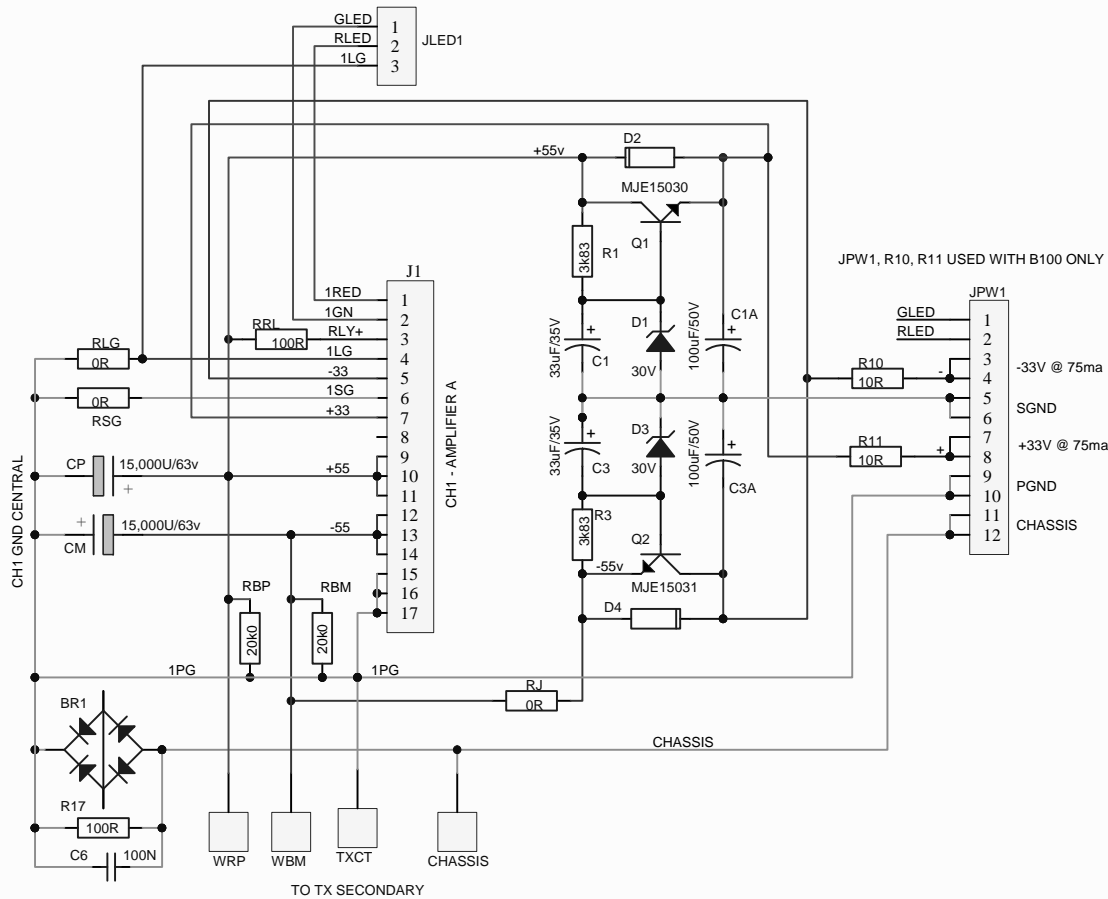
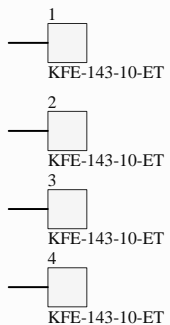
Title : **B135/2BSST CHA PSB R1**

Date : Drawn : Sheet : Rev :



B135 2BSST CH B PSB R1

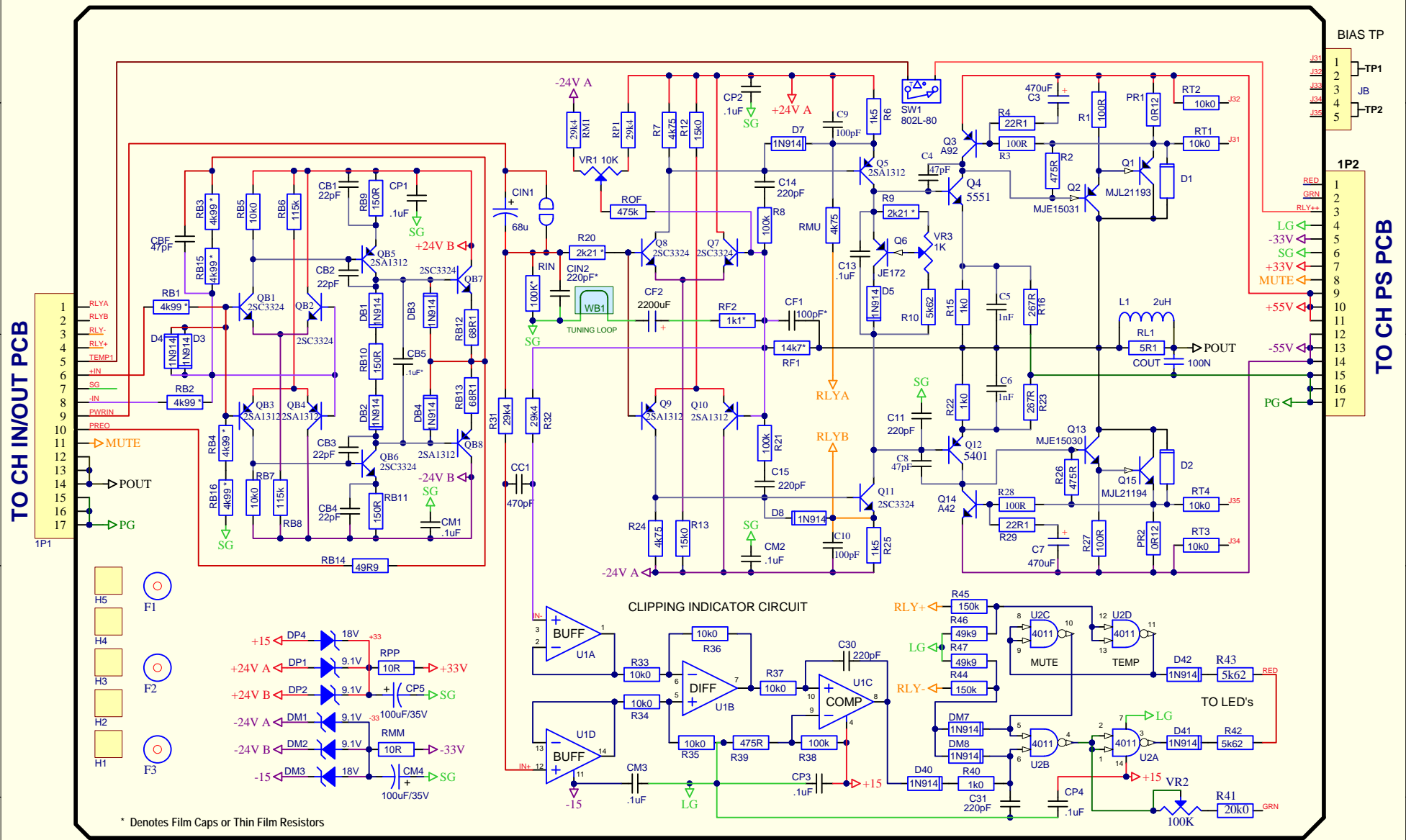
USED WITH 2BSST ONLY



| | | |
|--------------------------------------|------------------------------------------------------------------------------|--------------------|
| | BRYSTON LTD PHONE (705) 742-5325 FAX (705) 742-0882 WWW.BRYSTON.CA | Size : A |
| | Title : B135 2BSST CHB PSB R1 | Rev : 3 |
| File : B135 2BSST CH B PSB R1.SCHDOC | | Sheet : 1 of 1 |
| Date : 06-27-2012 | | Drawn : |

PCB

B135 2BSST 875 CH B R1



* Denotes Film Caps or Thin Film Resistors


| Resistor | B135 / 2.5BSST2 | Bryston Part # | 875Z / HT | Bryston Part # |
|----------|-----------------|--------------------|-----------|------------------|
| RIN | 100K | RSTNPW1206100KBEEA | 1k | RSMK2-1K-1%0000 |
| RB2 | 4K99 | RSTNPW12064K99BEEA | 10k | RSMK2-10K-1%0000 |
| RB14 | 49R9 | RSEJ8ENF49R9V | 10R | RSMRS25F-10R-1% |
| RB4 | 4k99 | RSTNPW12064K99BEEA | 499k | RSMK2-499K-1%00 |
| RB16 | 4k99 | RSTNPW12064K99BEEA | 499k | LDN300TGR2D |

JULY 3, 2012
 Q7, Q8, Q11, QB1, QB2, QB6, QB7
 Q5, Q9, Q10, QB3, QB4, QB5, QB8
 Q4
 Q12
 R3, R28
 C4, C8
 C5, C6
 RP1, RM1

MMBT100A CHANGED TO 2SC3324GR
 MMBT200A CHANGED TO 2SA1312GR
 MMBT100A CHANGED TO MMBT5551-7F
 MMBT200A CHANGED TO MMBT5401-7F
 220R CHANGED TO 100R
 6.8pF CHANGED TO 47pF
 470pF CHANGED TO 1nF
 49K9 CHANGED TO 29K4

NOV 20, 2012
 VR2
 R41
 R43

1K0 CHANGED TO 100K
 499R CHANGED TO 20K
 20K CHANGED TO 5K62

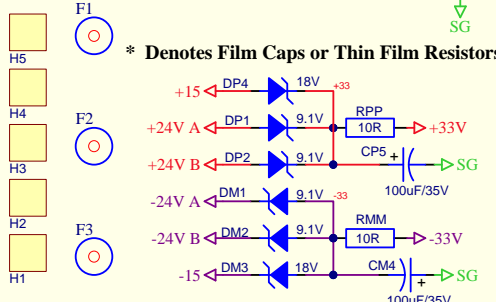
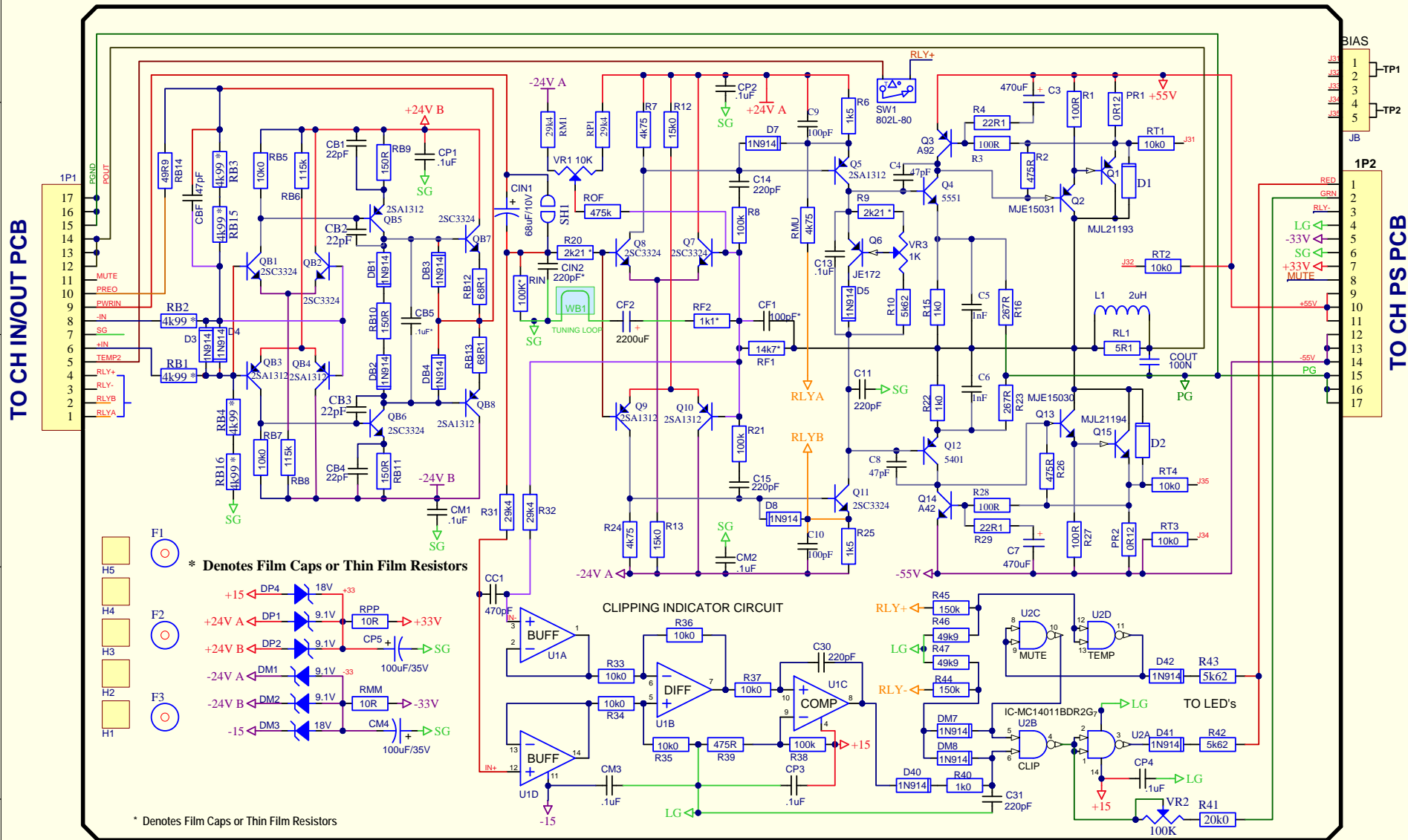


BRYSTON LTD

P.O. BOX 2170, 677 NEAL DR. PETERBOROUGH, ON. CANADA K9J 7Y4
 PHONE (705) 742-5325 FAX (705) 742-0882 WWW.BRYSTON.CA

| | | |
|--------------------------------------|-------------------|--------|
| Title: B135 2BSST 875 CH B R1 | | |
| File: | Sheet: of | Rev: 1 |
| Date: JULY 2012 | Drawn: DGN | |

PCB B135 2BSST 875 CH A R1




* Denotes Film Caps or Thin Film Resistors

| Resistor | B135 / 2.5BSST2 | Bryston Part # | 875Z / HT | Bryston Part # |
|----------|-----------------|--------------------|-----------|------------------|
| R1N | 100K | RSTNPW1206100KBEEA | 1k | RSMK2-1K-1%0000 |
| RB2 | 4K99 | RSTNPW12064K99BEEA | 10k | RSMK2-10K-1%0000 |
| RB14 | 49R9 | RSEJ8ENF49R9V | 10R | RSMRS25F-10R-1% |
| RB4 | 4k99 | RSTNPW12064K99BEEA | 499k | RSMK2-499K-1%00 |
| RB16 | 4k99 | RSTNPW12064K99BEEA | 499k | LDN300TGR2D |

JULY 3, 2012
 Q7,Q8,Q11,QB1,QB2,QB6,QB7
 Q5,Q9,Q10,QB3,QB4,QB5,QB8
 MMBT100A CHANGED TO 2SC3324GR
 MMBT200A CHANGED TO 2SA1312GR
 MMBT100A CHANGED TO MMBT5551-7F
 MMBT200A CHANGED TO MMBT5401-7F
 Q12
 R3,R28
 220R CHANGED TO 100R
 C4,C8
 6.8pF CHANGED TO 47pF
 470pF CHANGED TO 1nF
 49K9 CHANGED TO 29K4

NOV 20, 2012
 VR2
 R41
 R43
 1K0 CHANGED TO 100K
 499R CHANGED TO 20K
 20K CHANGED TO 5K62



BRYSTON LTD

P.O. BOX 2170, 677 NEAL DR. PETERBOROUGH, ON, CANADA K9J 7Y4
 PHONE (705) 742-5325 FAX (705) 742-0882 WWW.BRYSTON.CA

Title : B135 2BSST 875 CH A R1

File : _____ Sheet : _____ of _____ Rev : 1

Date : **JULY 2012** Drawn : **DGN**