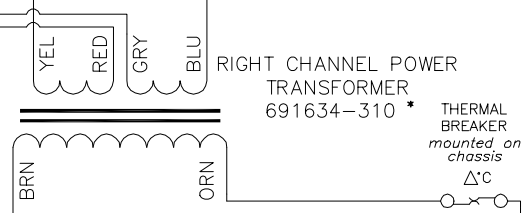
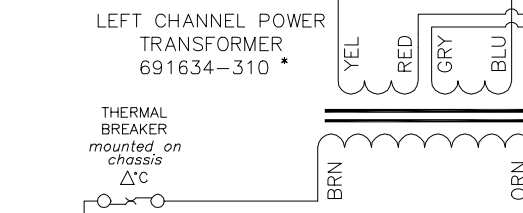
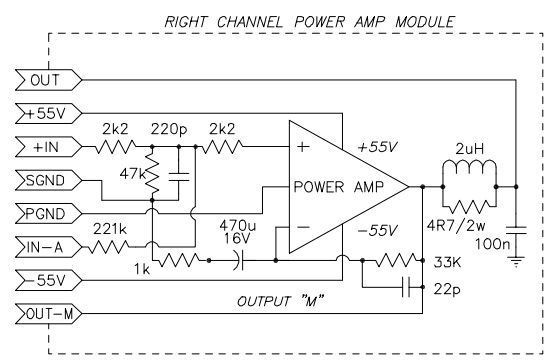
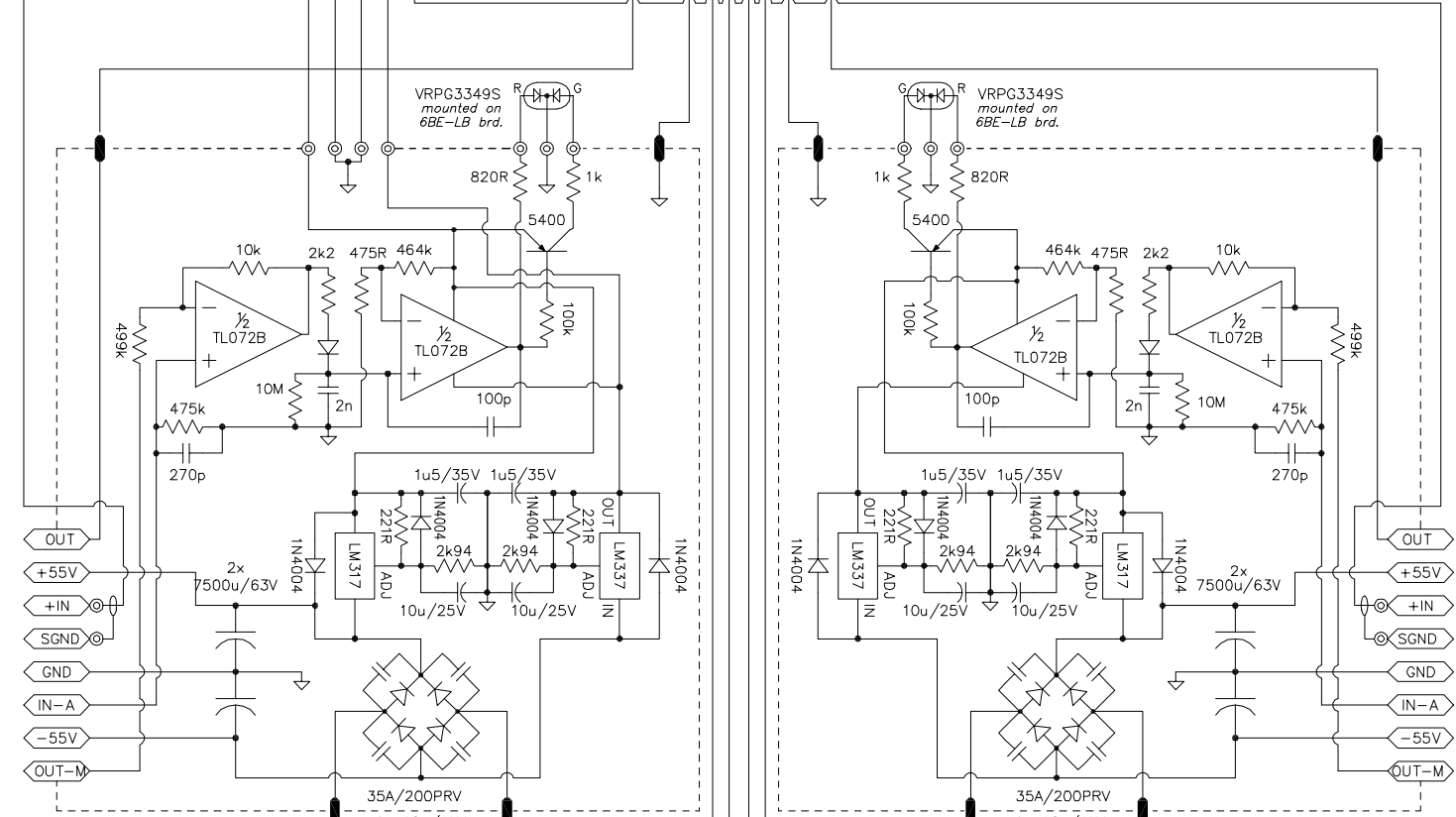
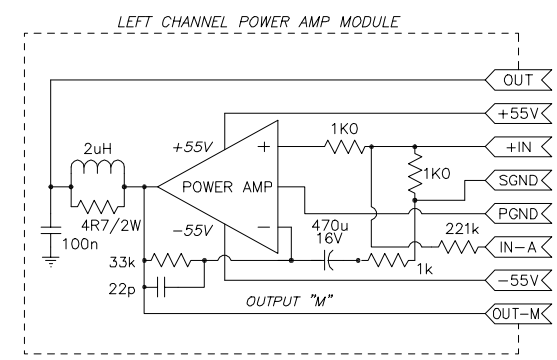
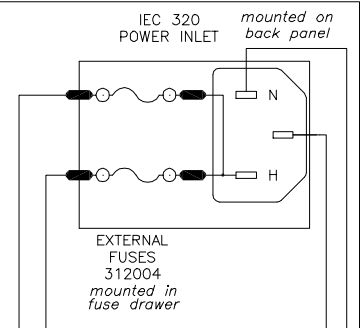
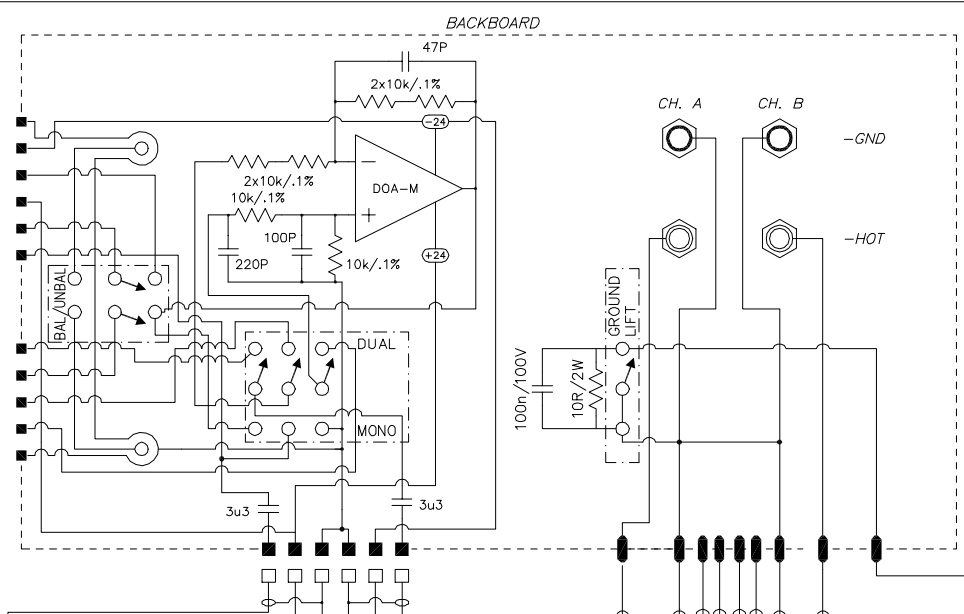
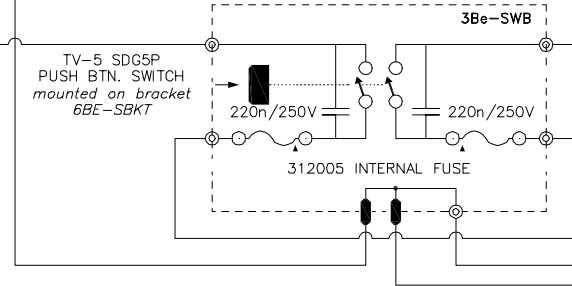


GAIN CONTROL BOARD ON NPB MODELS ONLY



THERMAL BREAKER mounted on chassis Δ°C

THERMAL BREAKER mounted on chassis Δ°C



- EDGE CONNECTOR
- BRD EDGE FINGER
- QUICK DISCONNECT TABS/SOCKETS
- .040" SQ. PIN/SOCKET
- .025" SQ. PIN/SOCKET
- SOLDER PAD for hardwire interconnect

NOTES:

\* Part no. for 120V models only.

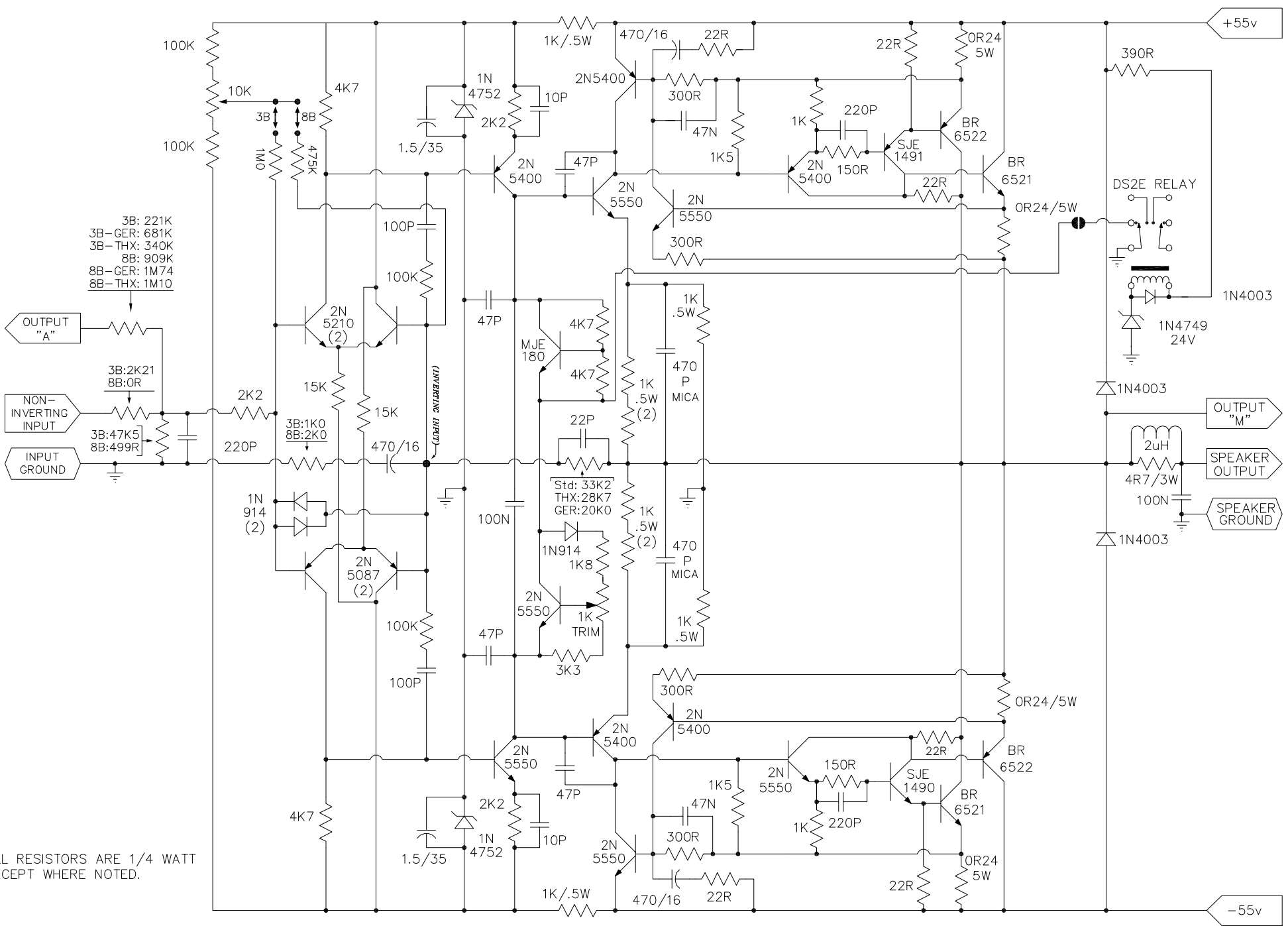
115-230V #691634-918

100V #6X1939

**BRYSTON** Ltd.  
57 Westmore Dr. Rexdale, Ont. M9V 3Y6 (416)746-1800

**3Be AMPLIFIER OVERALL SCHEMATIC**

Rev 1.1 30 AUG 93 FILE: 3Be-OS



ALL RESISTORS ARE 1/4 WATT EXCEPT WHERE NOTED.

Rev 0 29 June 1992  
 Derived from 3B-MB-5/9.1  
 Rev 1 May 94  
 200K(2) in DC-0/S chg'd to 100K  
 2N5210 bias transistor chg'd to  
 2N5550; 8B data added.



3Be/8B POWER AMPLIFIER MAIN BOARD (7B-MB/2.51) SCHEMATIC

REVISION #1 MAY 94



FILE: 3BE-MBS