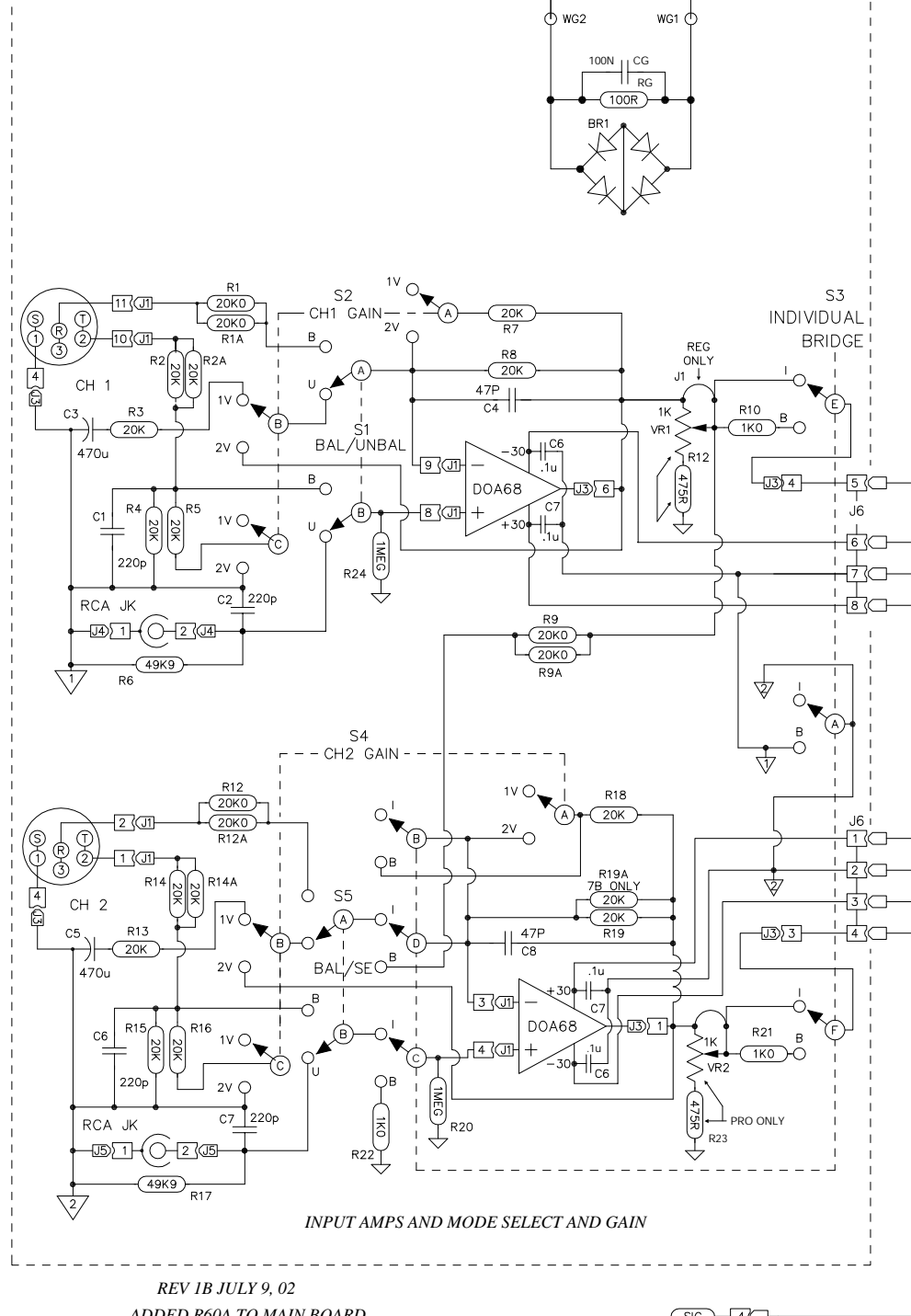


SST 2XLR + SST 2SWITCH PCB'S

SST-4B78-PSB



INPUT AMPS AND MODE SELECT AND GAIN

REV 1B JULY 9, 02

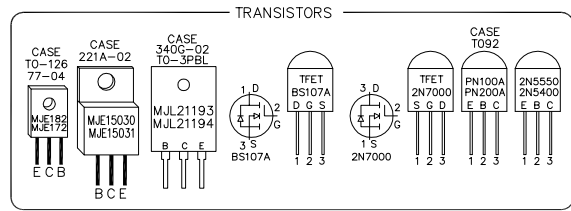
ADDED R60A TO MAIN BOARD

REV 1A JUNE 24, 02

CHANGED R16, 33, 34 + 36 TO 301R ECO 616

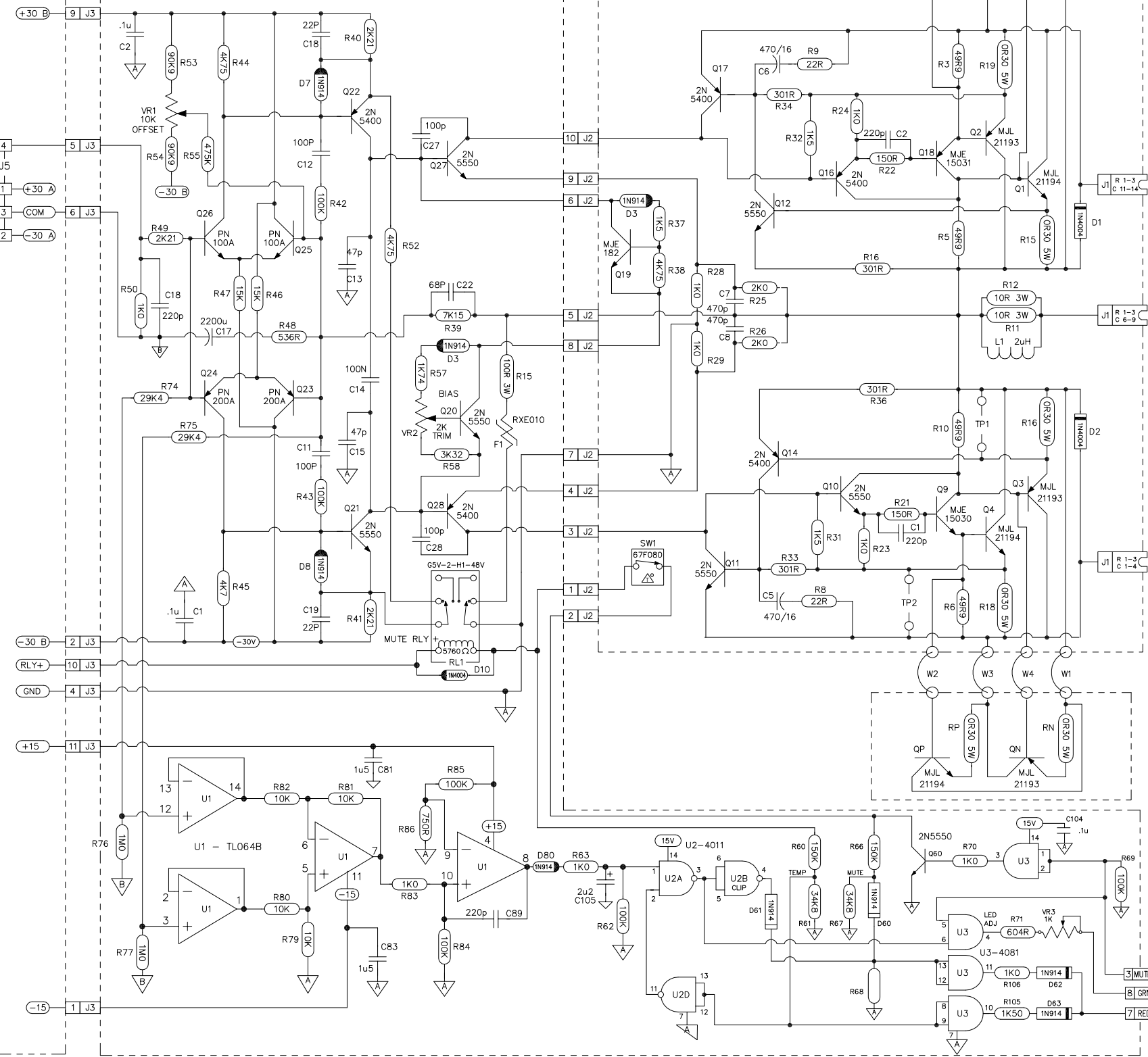
Rev 1E change C26, C8 to 10N and R44 to 30K1 on SSB

Rev 2 - ADD 4081 TO MAIN BOARD



SST- MB rev 7
no bs107 or 2n700

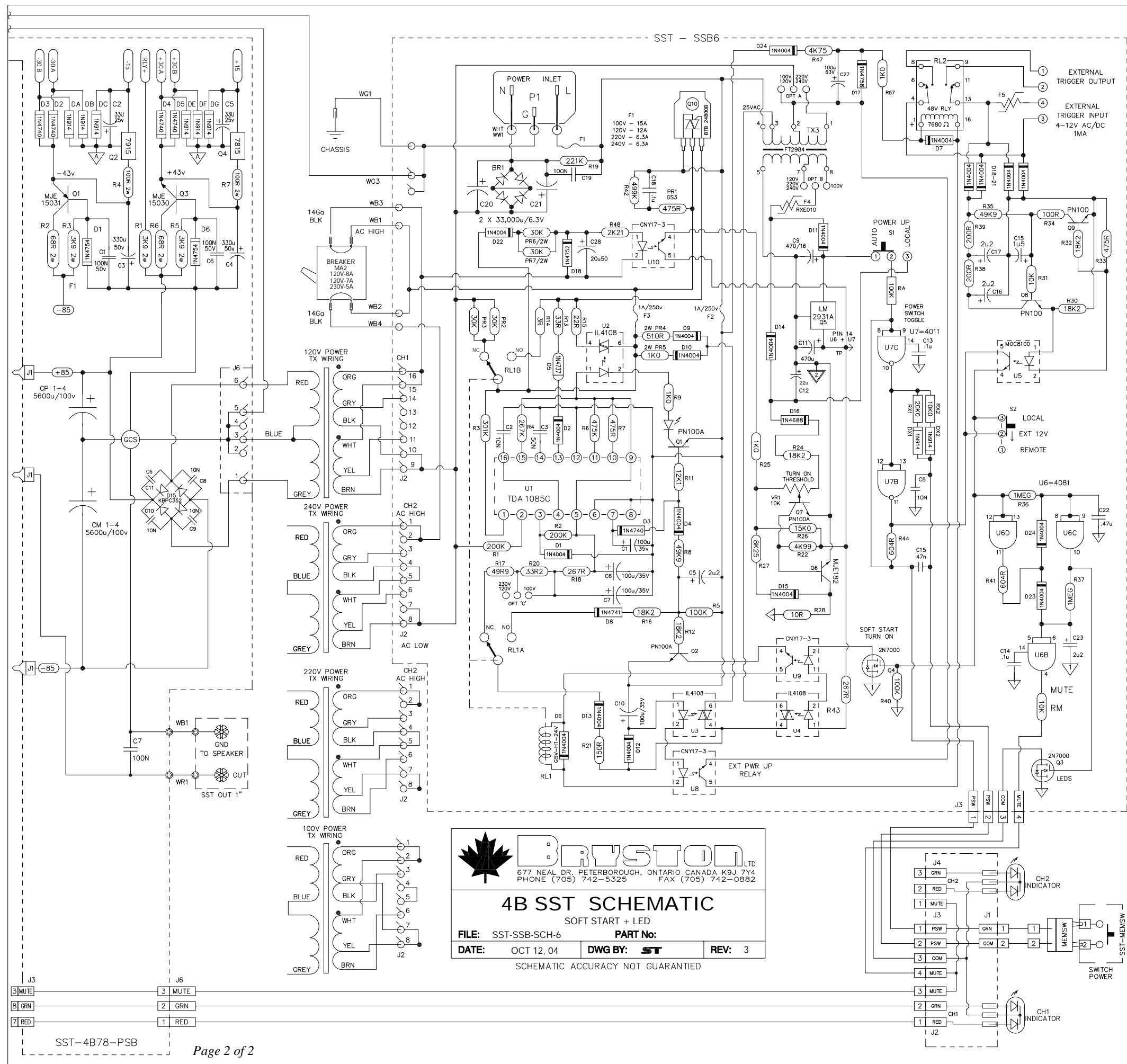
SST-PWR 5.25"




4B SST SCHEMATIC

INPUT - MAIN - POWER AMP

FILE: 4B-SST-SCH-2A PART No: DATE: AUG 5, 04 DWG BY: ST REV: 2A




DRYSTON LTD
 677 NEAL DR. PETERBOROUGH, ONTARIO CANADA K9J 7Y4
 PHONE (705) 742-5325 FAX (705) 742-0882

4B SST SCHEMATIC
 SOFT START + LED
 FILE: SST-SSB-SCH-6 PART No:
 DATE: OCT 12, 04 DWG BY: **ST** REV: 3

SCHEMATIC ACCURACY NOT GUARANTEED