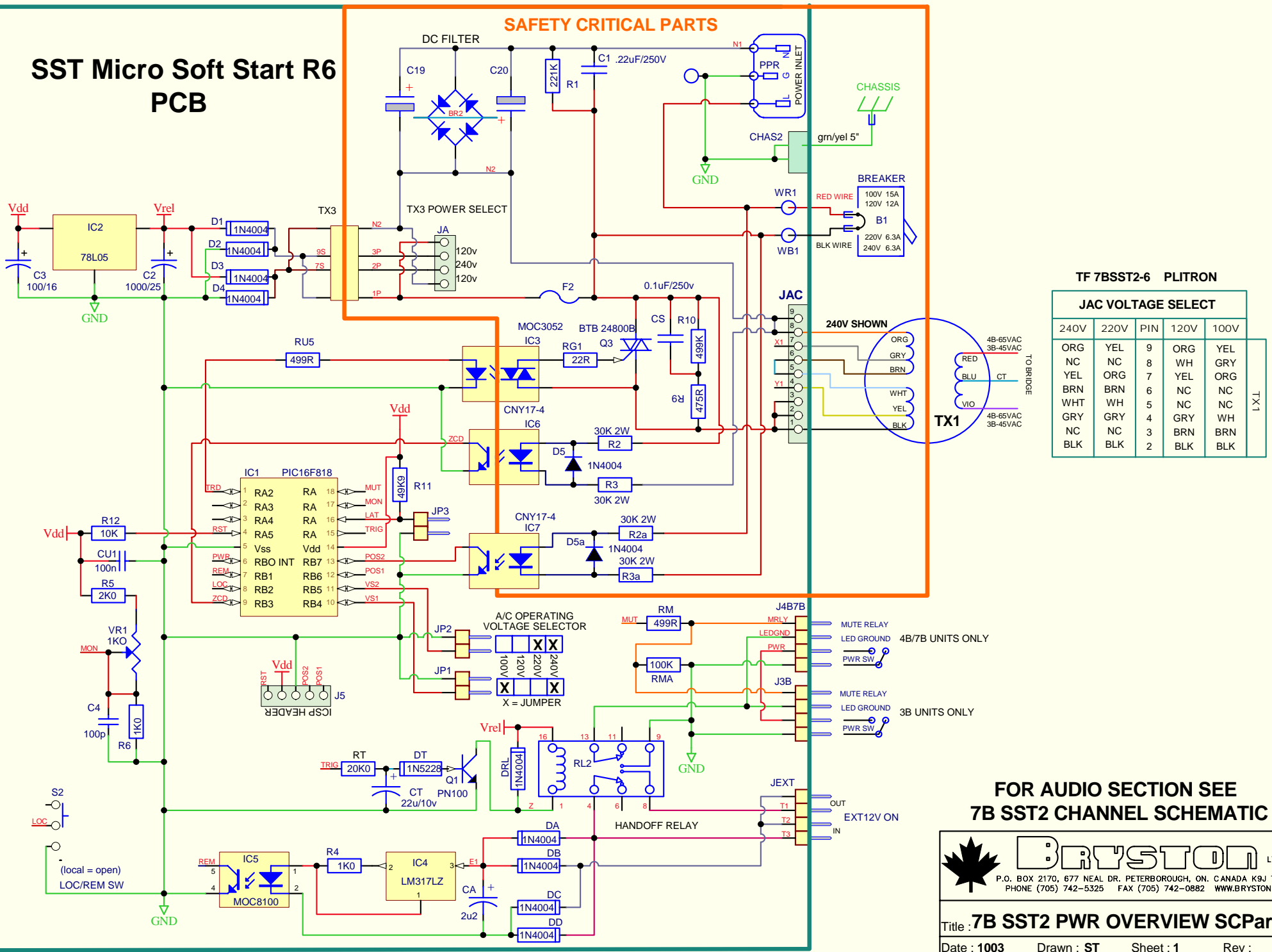


SST Micro Soft Start R6 PCB

SAFETY CRITICAL PARTS

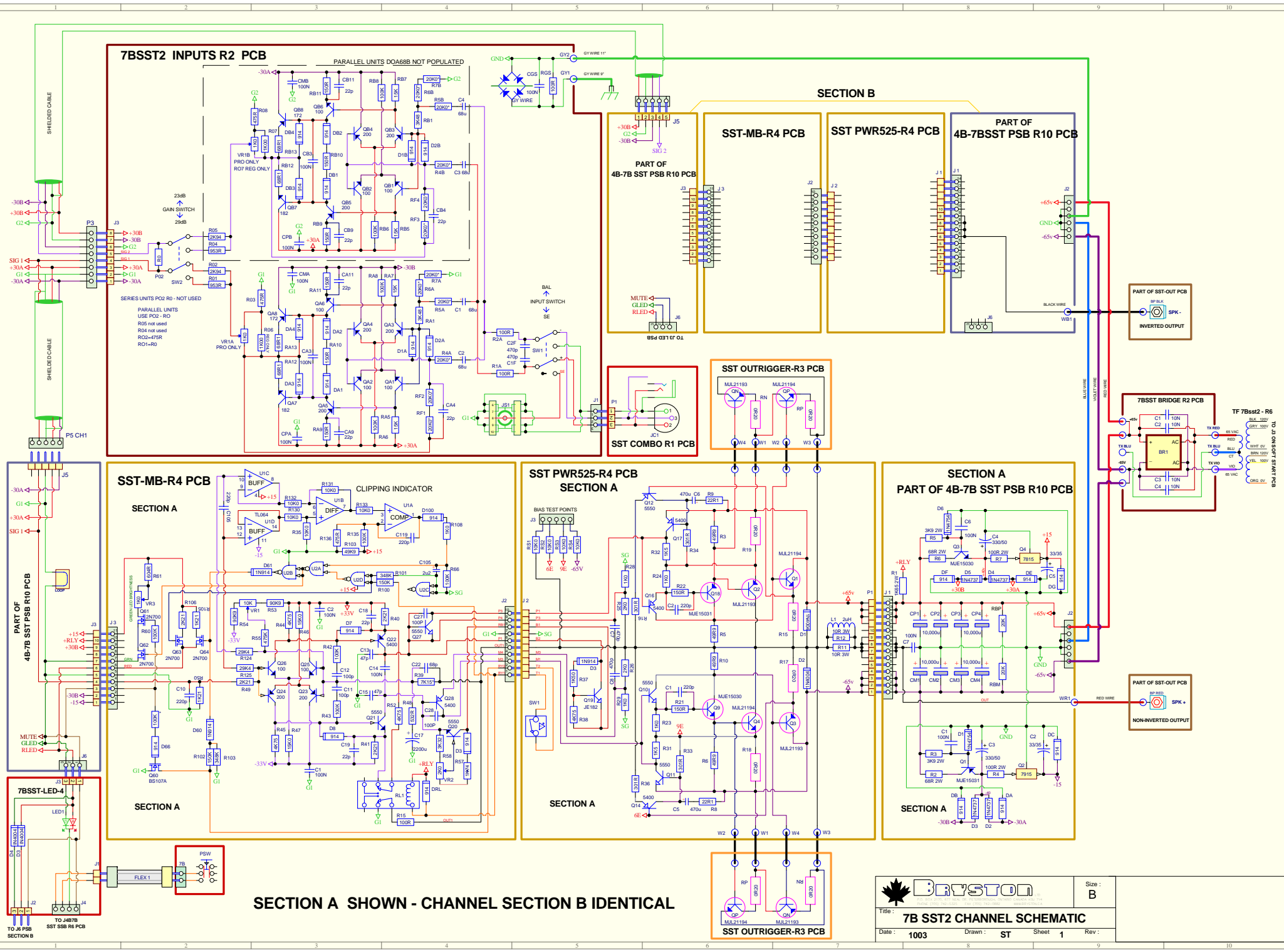


TF 7BSST2-6 PLITRON

JAC VOLTAGE SELECT				
240V	220V	PIN	120V	100V
ORG	YEL	9	ORG	YEL
NC	NC	8	WH	GRY
YEL	ORG	7	YEL	ORG
BRN	BRN	6	NC	NC
WHT	WH	5	NC	NC
GRY	GRY	4	GRY	WH
NC	NC	3	BRN	BRN
BLK	BLK	2	BLK	BLK

FOR AUDIO SECTION SEE
7B SST2 CHANNEL SCHEMATIC





SECTION A SHOWN - CHANNEL SECTION B IDENTICAL

	Size : B
	Title : 7B Sst2 CHANNEL SCHEMATIC
Date : 1003	Drawn : ST
Sheet : 1	Rev : 1