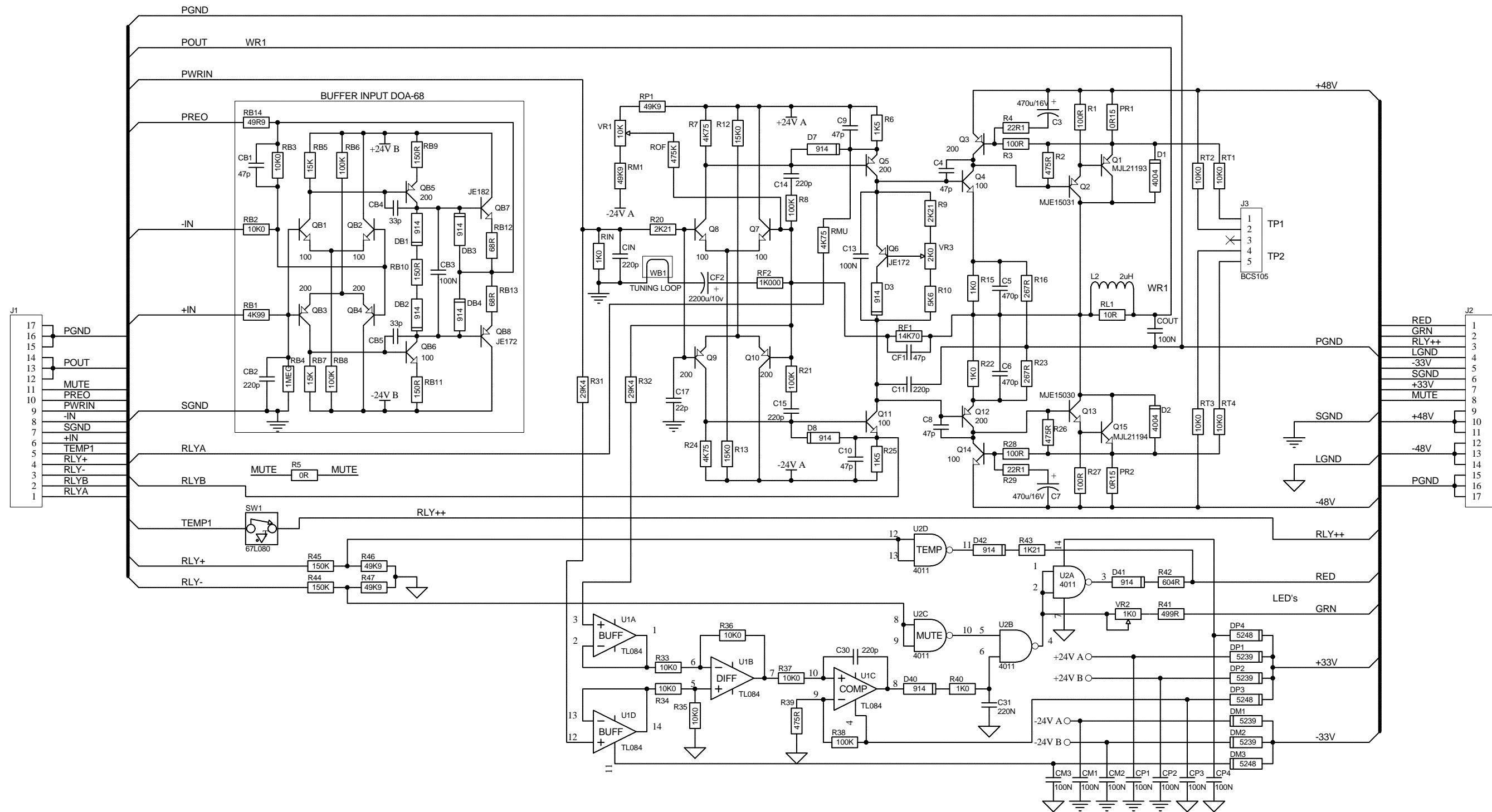


- 11531B4B
- 11531B4B
- 11531B4B
- 11531B4B
- 11531B4B

REV 2 - CHANGES
 RB3 - CHANGE TO 10K
 RB4 - CHANGE TO 1MEG
 REMOVE DB3A IN BIAS CHAIN

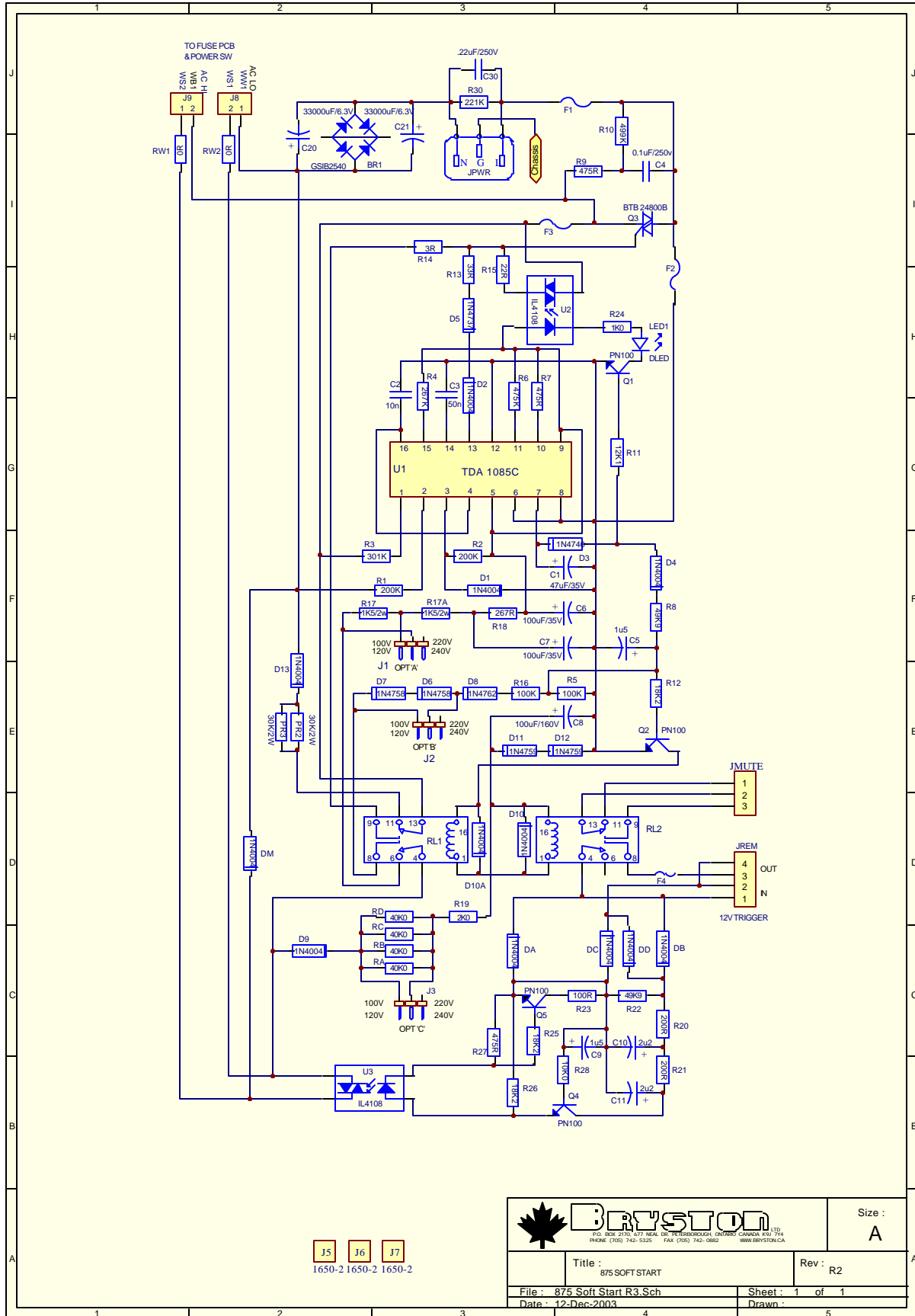
		Size : B
P.O. BOX 2170, 677 NEAL DR. PETERBOROUGH, ONTARIO CANADA K9J 7Y4 PHONE (705) 742-5325 FAX (705) 742-0882 WWW.BRYSTON.CA		
Title : 875 LEFT CHANNEL R2		Rev : R1
File : Left channel R2.sch		Sheet : 1 of 1
Date : 11-Sep-2003		Drawn : D.M.



- 11531B4B
- 11531B4B
- 11531B4B
- 11531B4B
- 11531B4B

REV 2 - CHANGES
 RB3 - CHANGE TO 10K0
 RB4 - CHANGE TO 1MEG
 REMOVED DB3A IN BIAS CHAIN

		Size: B
875 RIGHT CHANNEL R2		Rev: R2
File: Right channel R2.sch	Sheet: 1 of 1	
Date: 11-Sep-2003	Drawn: D.M.	



BRYSTON

1650-2 1650-2 1650-2

Size : A

Title : 875 SOFT START

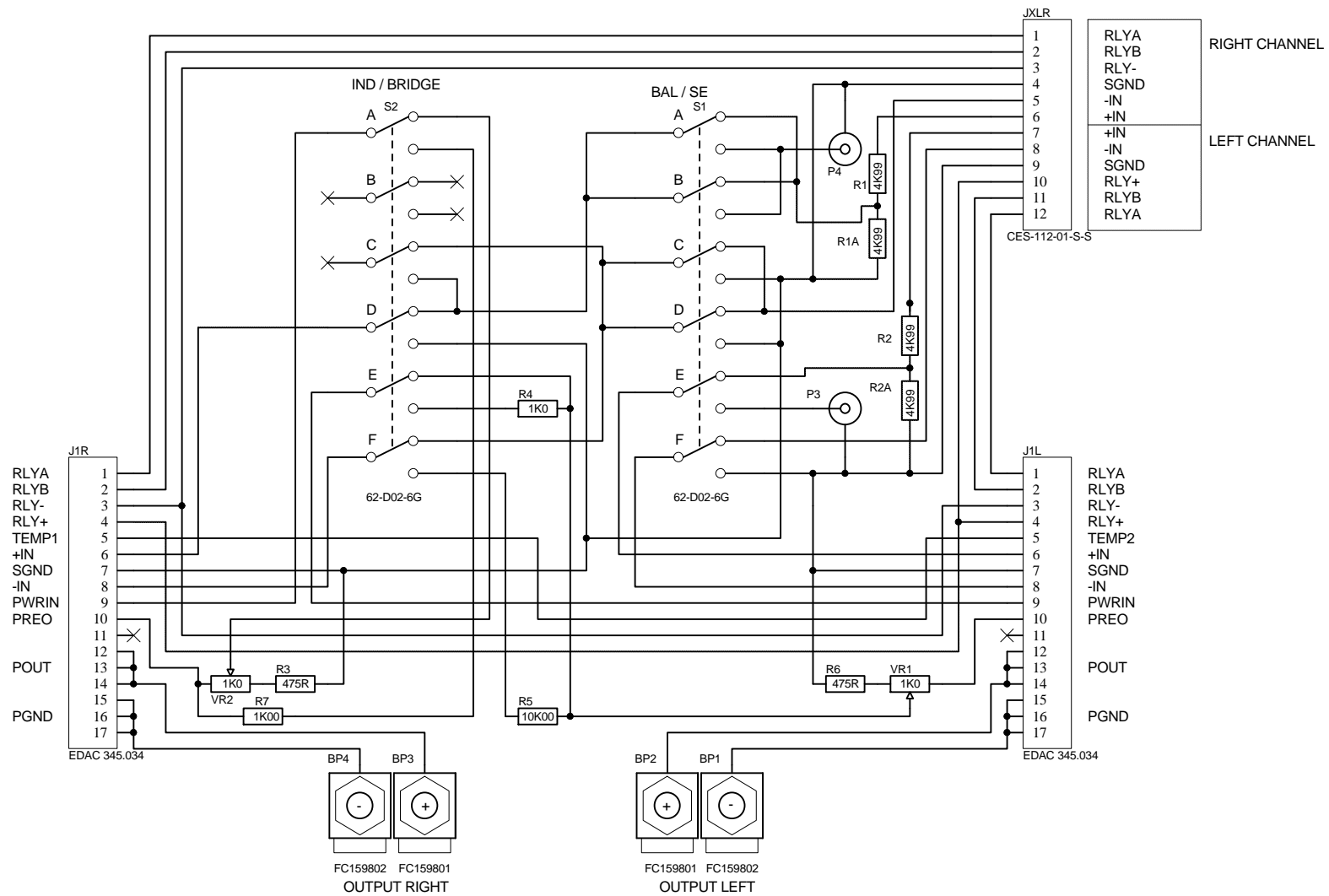
Rev : R2


File : 875 Soft Start R3.Sch

Date : 12-Dec-2003

Sheet : 1 of 1

Drawn :



		Size :
		A
Title : 875HT IN-OUT PCB		Rev :
File : HT_IN-OUT R2.Sch	Sheet : 1 of 1	
Date : 8-Oct-2003	Drawn : D.M.	

P.O. BOX 2170, 677 NEAL DR., PETERBOROUGH, ONTARIO CANADA K9J 7Y4
 PHONE (705) 742-5325 FAX (705) 742-0882 WWW.BRYSTON.CA

