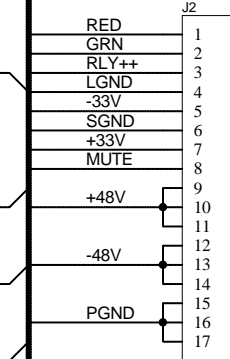
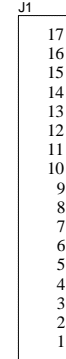
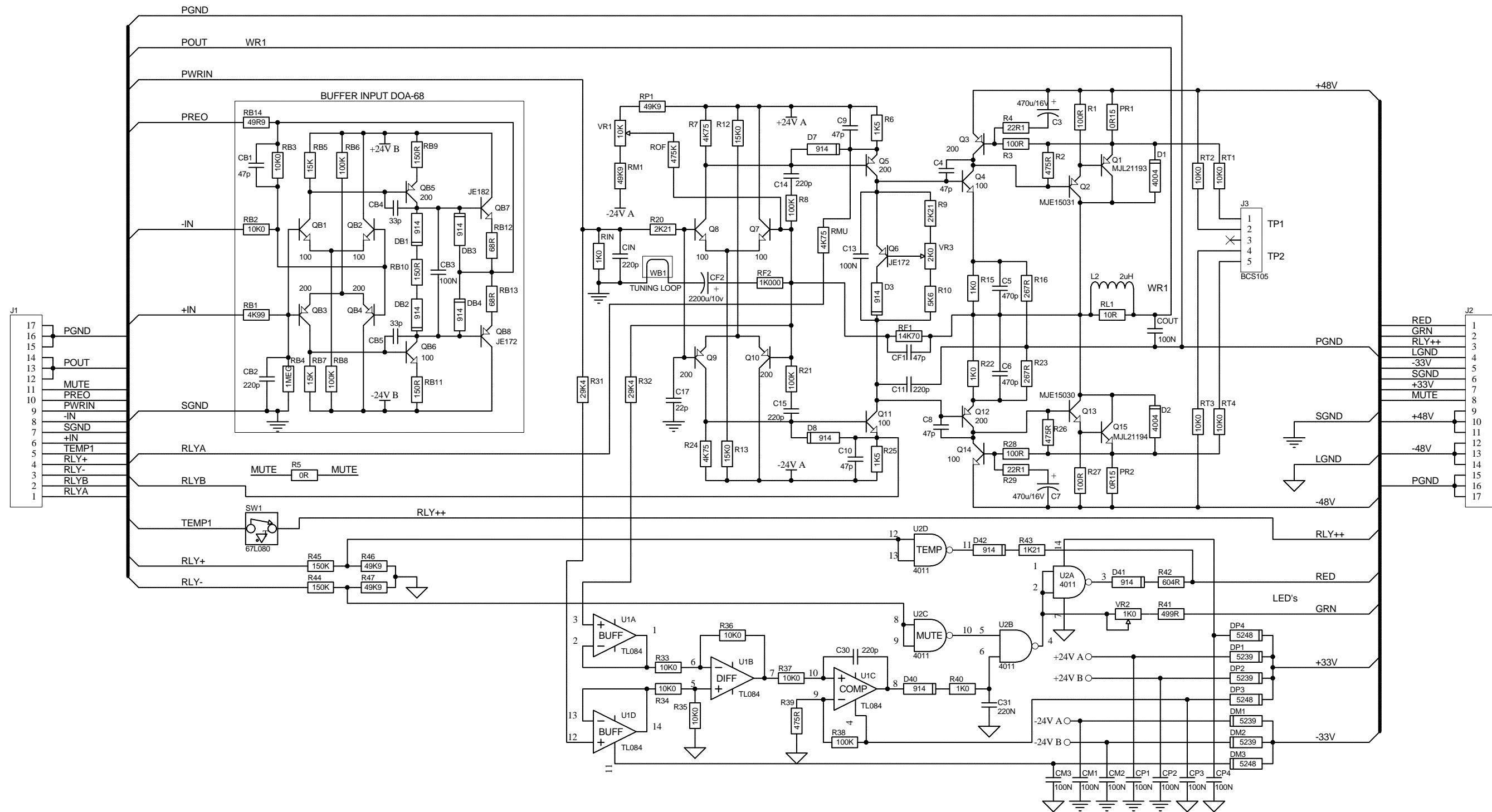


- 11531B4B
- 11531B4B
- 11531B4B
- 11531B4B
- 11531B4B

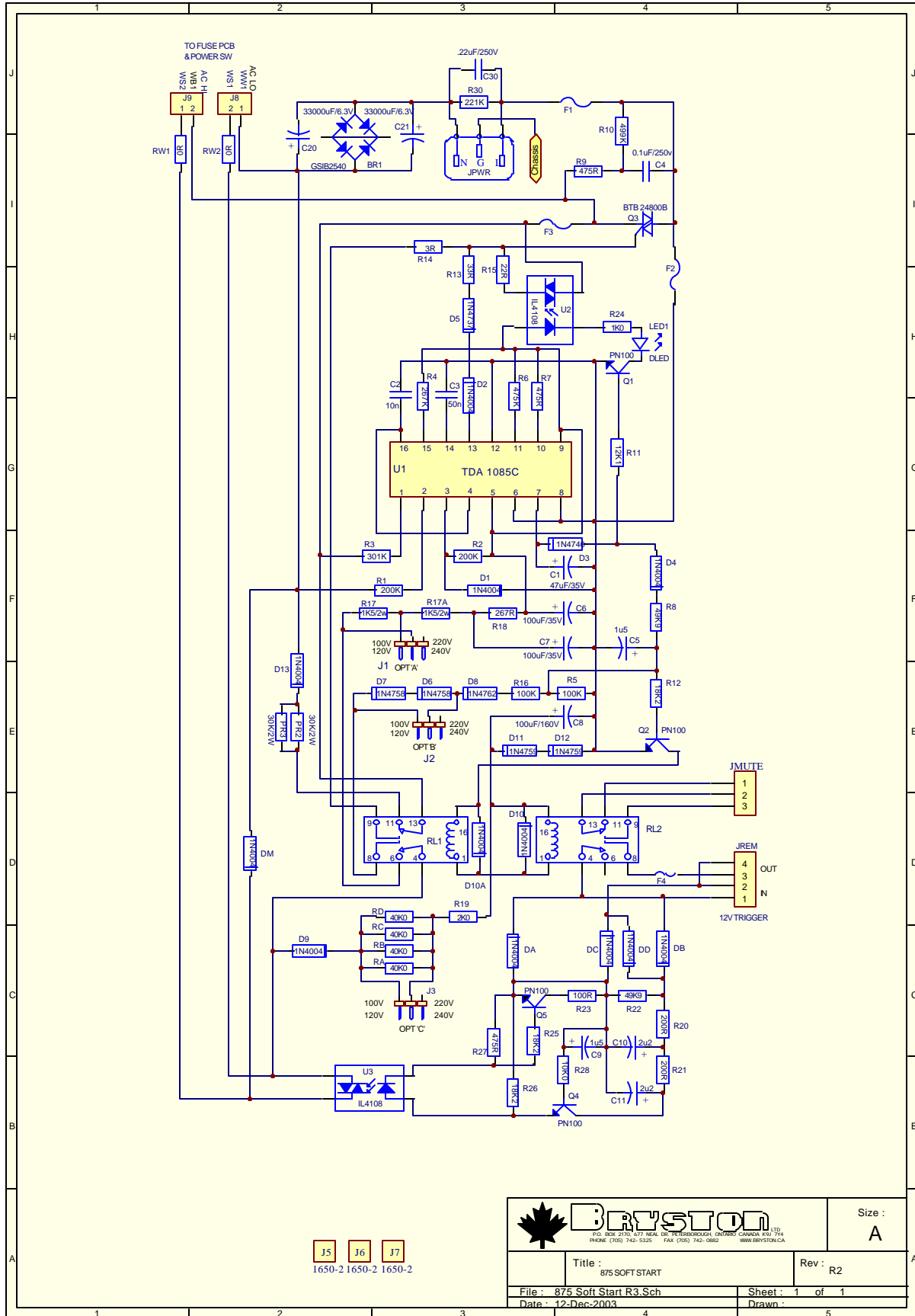
REV 2 - CHANGES
 RB3 - CHANGE TO 10K
 RB4 - CHANGE TO 1MEG
 REMOVE DB3A IN BIAS CHAIN

		Size : B
875 LEFT CHANNEL R2		Rev : R1
File : Left channel R2.sch Date : 11-Sep-2003	Sheet : 1 of 1 Drawn : D.M.	



REV 2 - CHANGES
 RB3 - CHANGE TO 10K0
 RB4 - CHANGE TO 1MEG
 REMOVED DB3A IN BIAS CHAIN

		Size: B
875 RIGHT CHANNEL R2		Rev: R2
File: Right channel R2.sch	Sheet: 1 of 1	
Date: 11-Sep-2003	Drawn: D.M.	



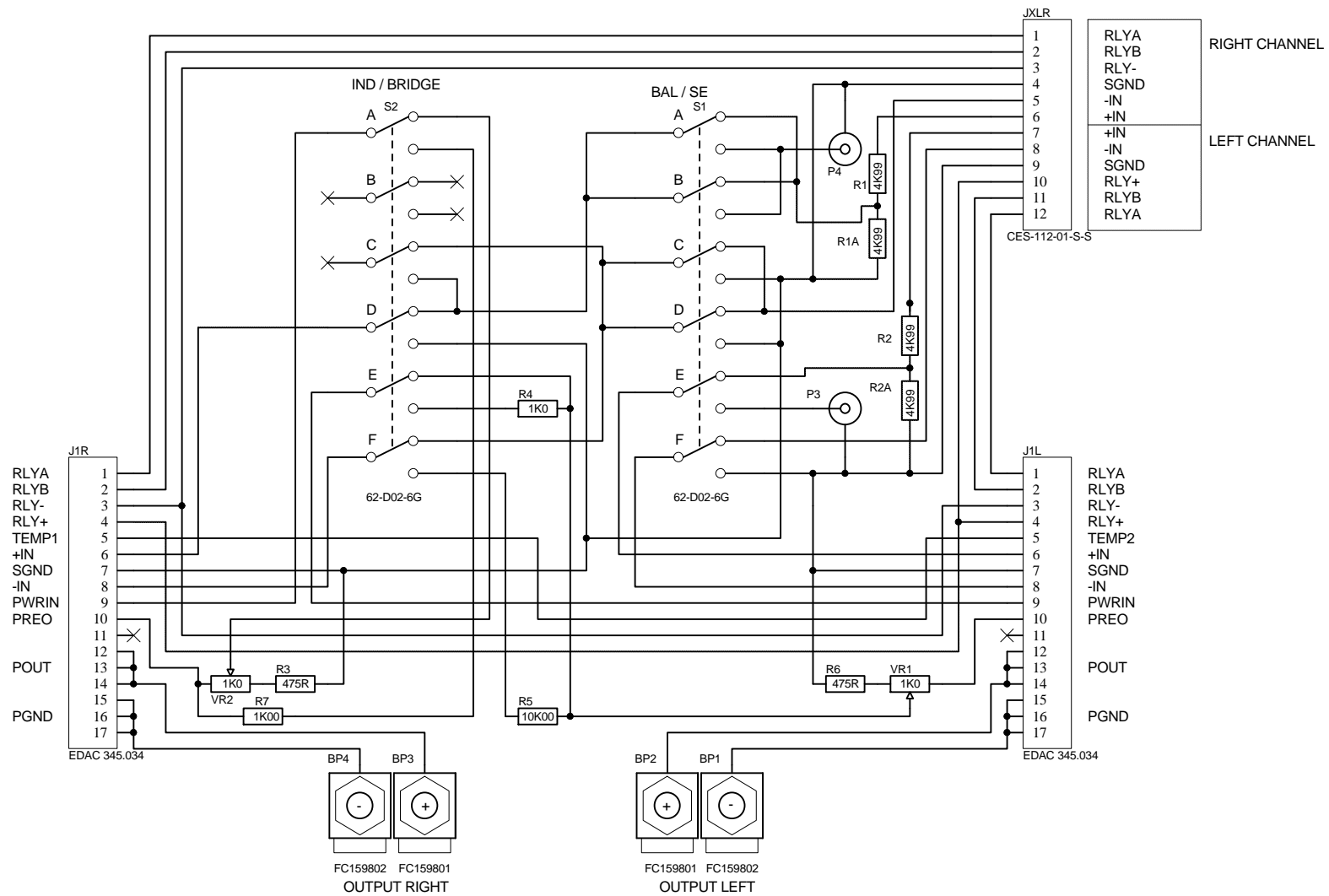
J5 1650-2 J6 1650-2 J7 1650-2


BRYSTON
 P.O. BOX 2160, 5170 NEAL DR., THE BURNINGWOODS, OAKBROOK, CANADA, R0 7H4
 PHONE (505) 742-5325 FAX (505) 742-0882 WWW.BRYSTON.CA

Title : 875 SOFT START
 Rev : R2

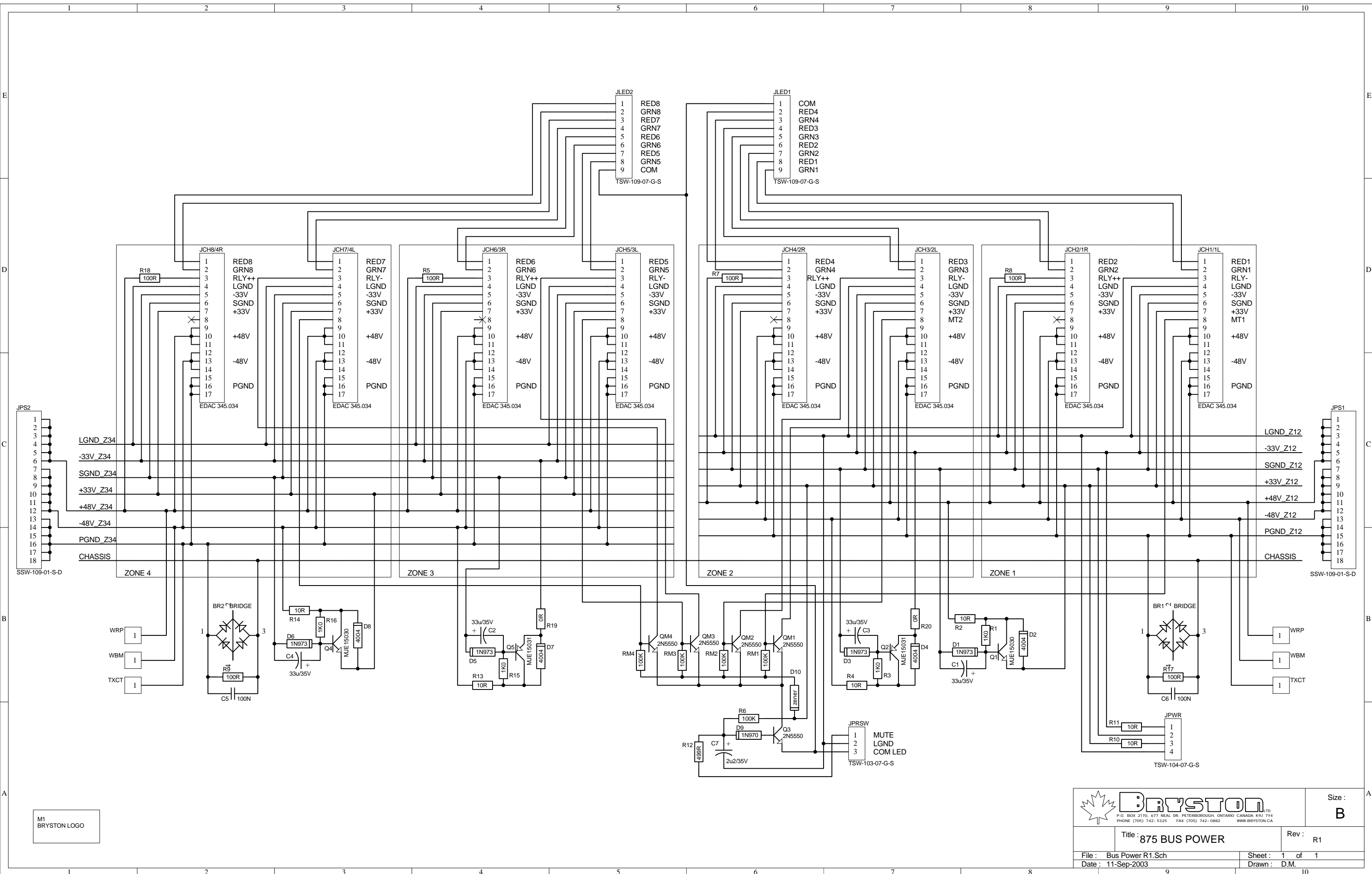
File : 875 Soft Start R3.Sch Sheet : 1 of 1
 Date : 12-Dec-2003 Drawn :

Size :
A




		Size :
		A
Title : 875HT IN-OUT PCB		Rev :
File : HT_IN-OUT R2.Sch	Sheet : 1 of 1	
Date : 8-Oct-2003	Drawn : D.M.	

P.O. BOX 2170, 677 NEAL DR., PETERBOROUGH, ONTARIO CANADA K9J 7Y4
 PHONE (705) 742-5325 FAX (705) 742-0882 WWW.BRYSTON.CA



M1
BRYSTON LOGO

 BRYSTON <small>P.O. BOX 2170, 677 NEAL DR. PETERBOROUGH, ONTARIO CANADA K9J 7Y4 PHONE (705) 742-5325 FAX (705) 742-0882 WWW.BRYSTON.CA</small>		Size : B
Title : 875 BUS POWER		Rev : R1
File : Bus Power R1.Sch	Sheet : 1 of 1	
Date : 11-Sep-2003	Drawn : D.M.	