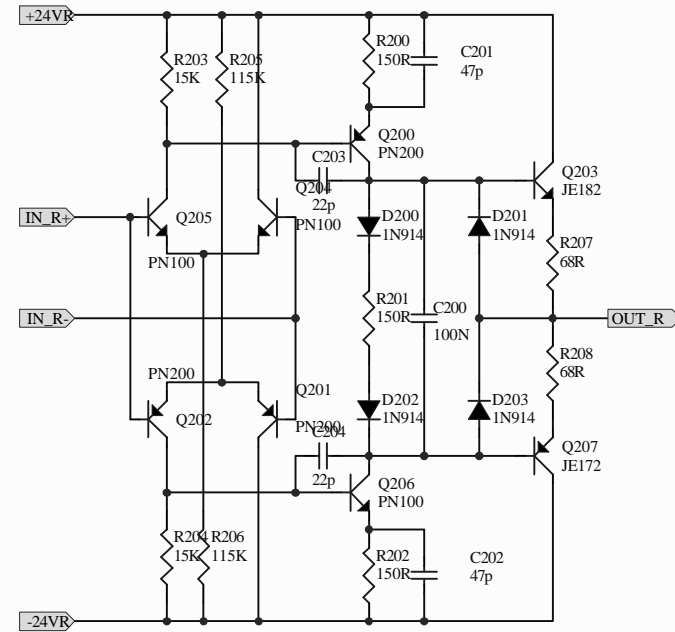

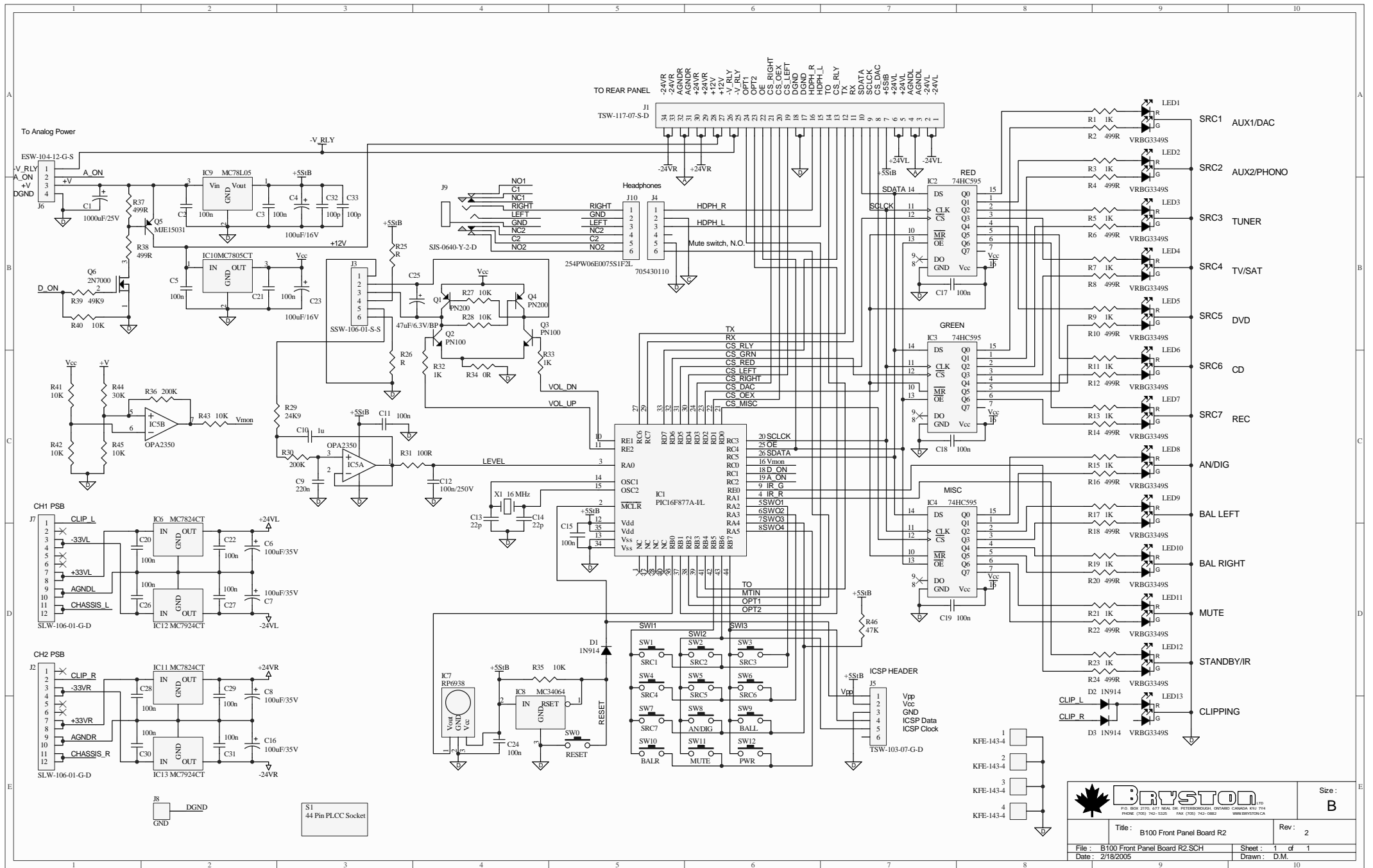


 BRYSTON LTD <small>P.O. BOX 2170, 677 NEAL DR. PETERBOROUGH, ONTARIO CANADA K9J 7Y4 PHONE (705) 742-5325 FAX (705) 742-0882 WWW.BRYSTON.CA</small>		Size :
		A
Title : B100 Digital Power Supply R2		Rev : 2
File : B100 DIG PS Board R2.SCH		Sheet : 1 of 1
Date : 2/18/2005		Drawn : D.M.

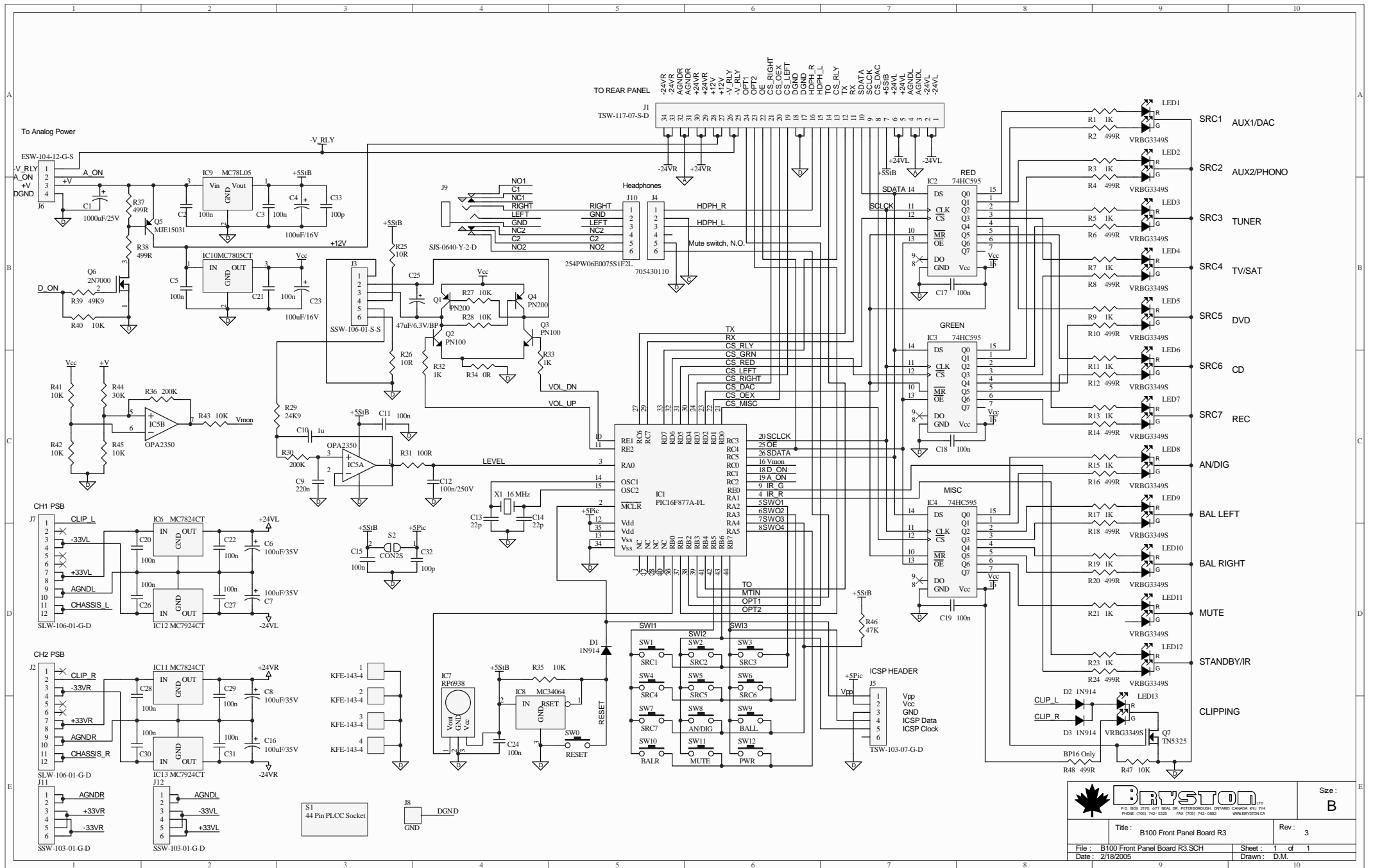
RIGHT



 BRYSTON <small>P.O. BOX 2170, 677 NEAL DR. PETERBOROUGH, ONTARIO CANADA K9J 7Y4 PHONE (705) 742-5325 FAX (705) 742-0882 WWW.BRYSTON.CA</small>		Size :
		A
Title : Output Buffers		Rev : 0
File : DOA-68_R.SCH		Sheet : 1 of 1
Date : 2/18/2005		Drawn : D.M.

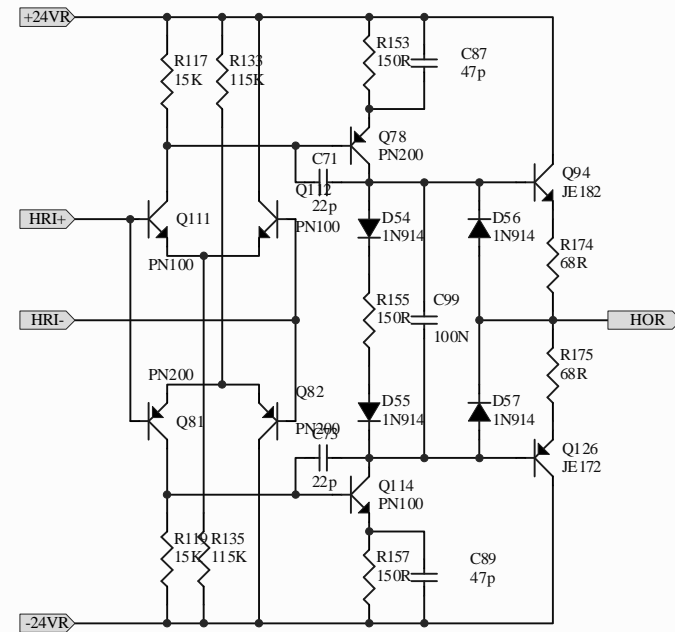



		Size:
		B
Title: B100 Front Panel Board R2		Rev: 2
File: B100 Front Panel Board R2.SCH	Sheet: 1 of 1	Drawn: D.M.
Date: 2/18/2005		

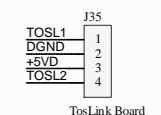
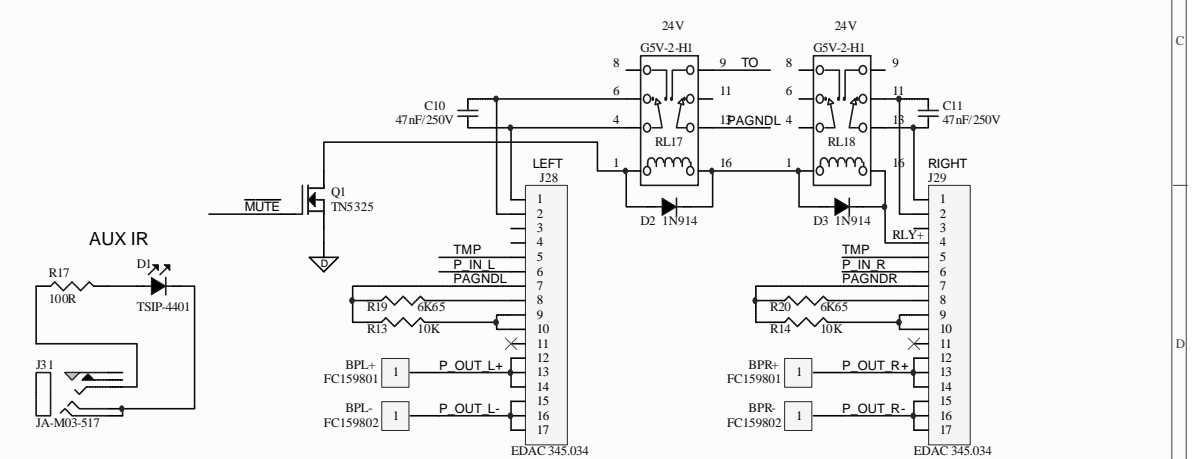
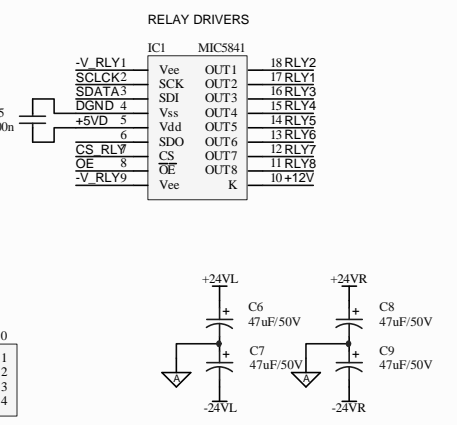
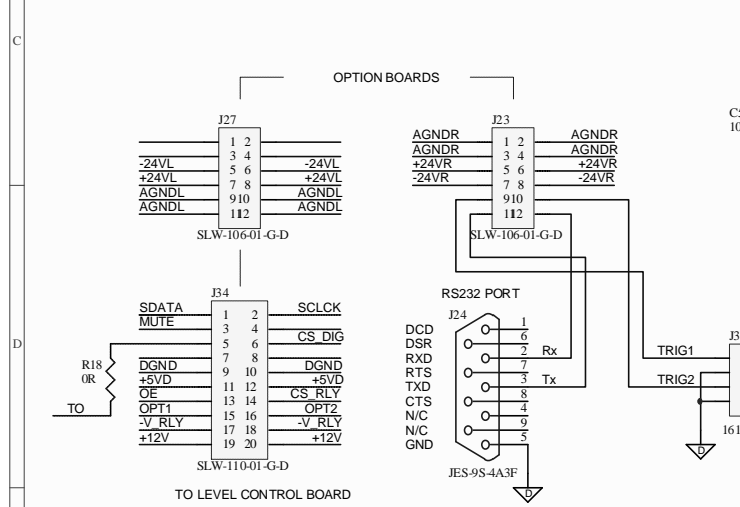
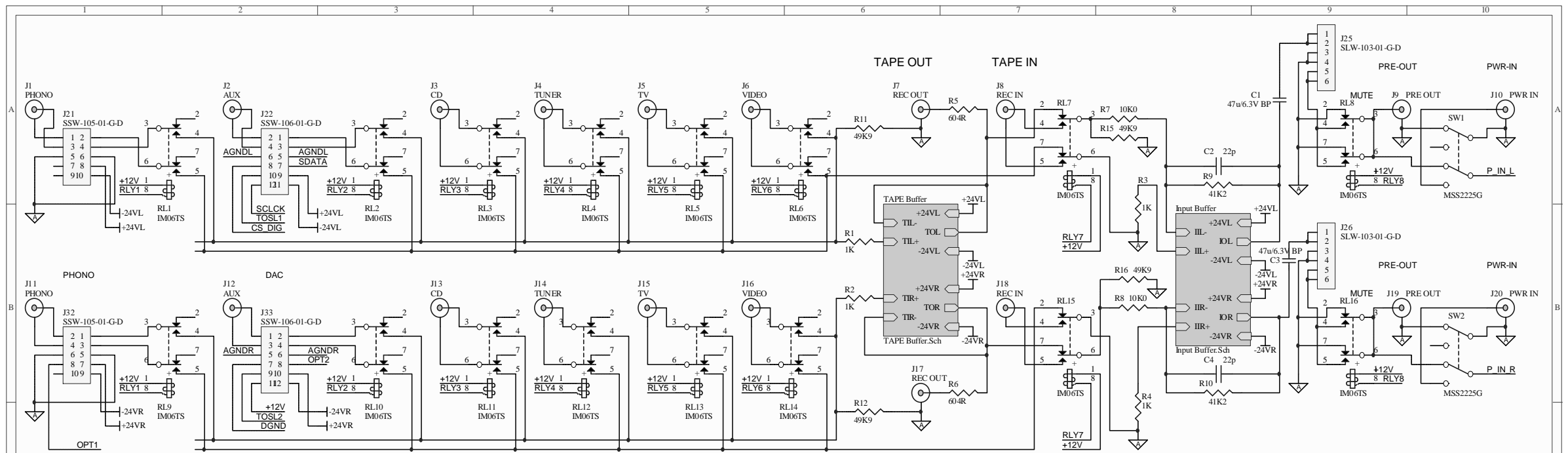


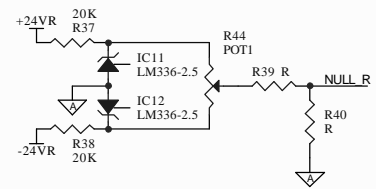
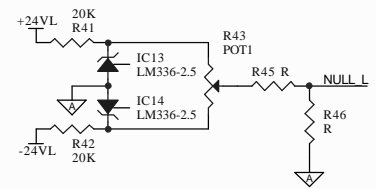
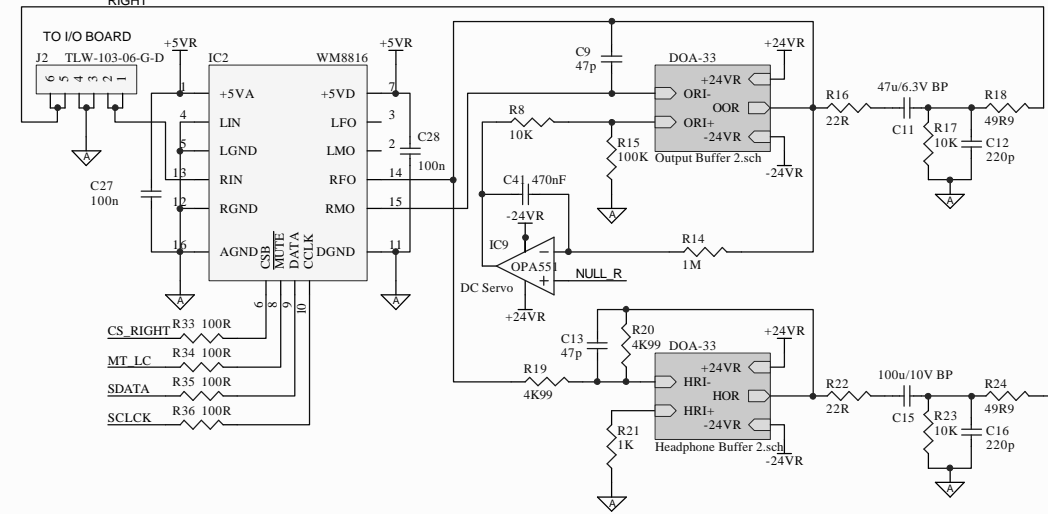
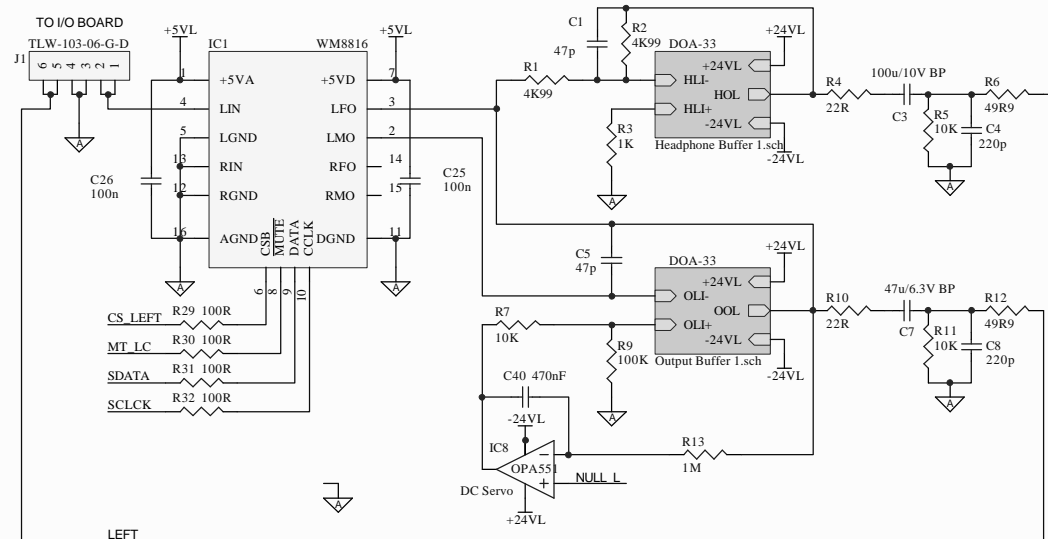
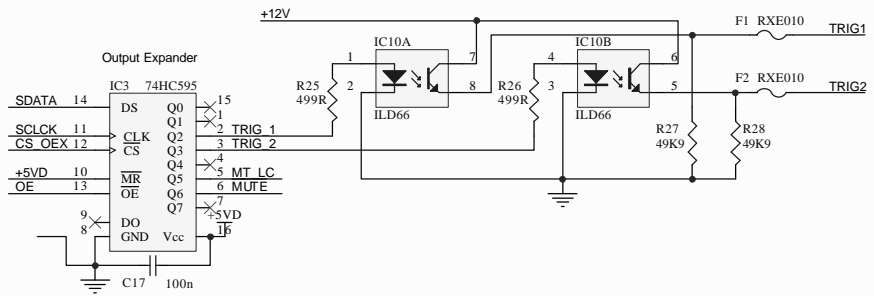
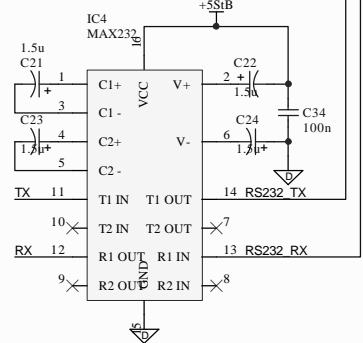
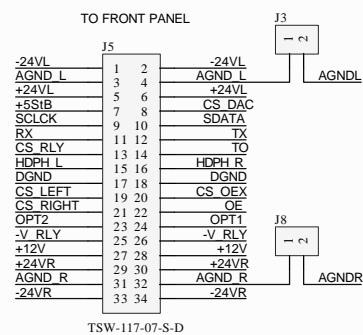
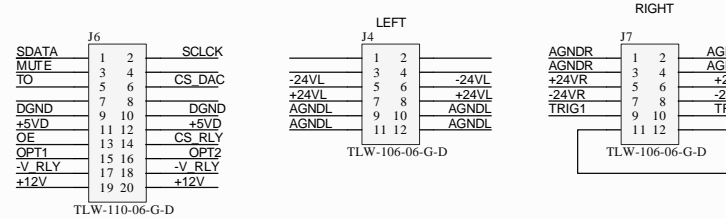
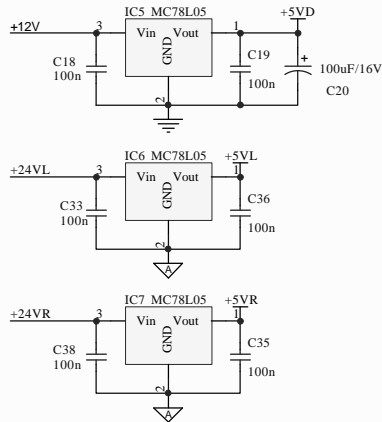
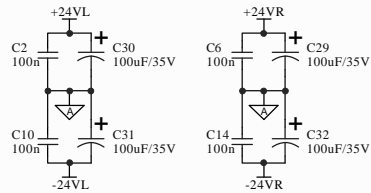
		Size:	B
		Title:	B100 Front Panel Board R3
File:	B100 Front Panel Board R3.SCH	Sheet:	1 of 1
Date:	2/18/2005	Drawn:	D.M.

RIGHT



 <b style="font-size: 24pt; font-weight: bold;">BRYSTON <small>LTD.</small> <small>P.O. BOX 2170, 677 NEAL DR., PETERBOROUGH, ONTARIO, CANADA K9J 7Y4</small> <small>PHONE (205) 742-5325 FAX (705) 742-0882 WWW.BRYSTON.CA</small>	Size : <b style="font-size: 24pt;">A
	Title : Headphone Buffers Rev : 0
File : Headphone Buffer 2.SCH Date : 2/18/2005	Sheet : 1 of 1 Drawn : D.M.





1 2 3 4 5 6 7 8 9 10

A

A

B

B

C

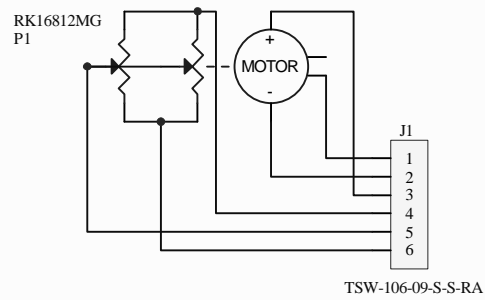
C


D

D

E

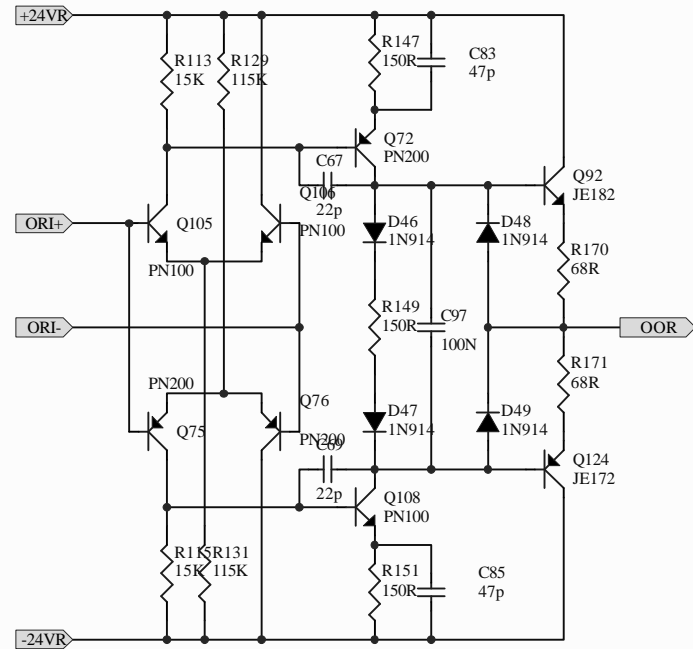
E




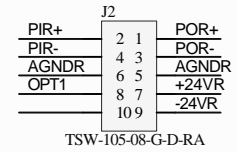
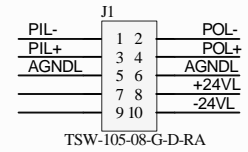
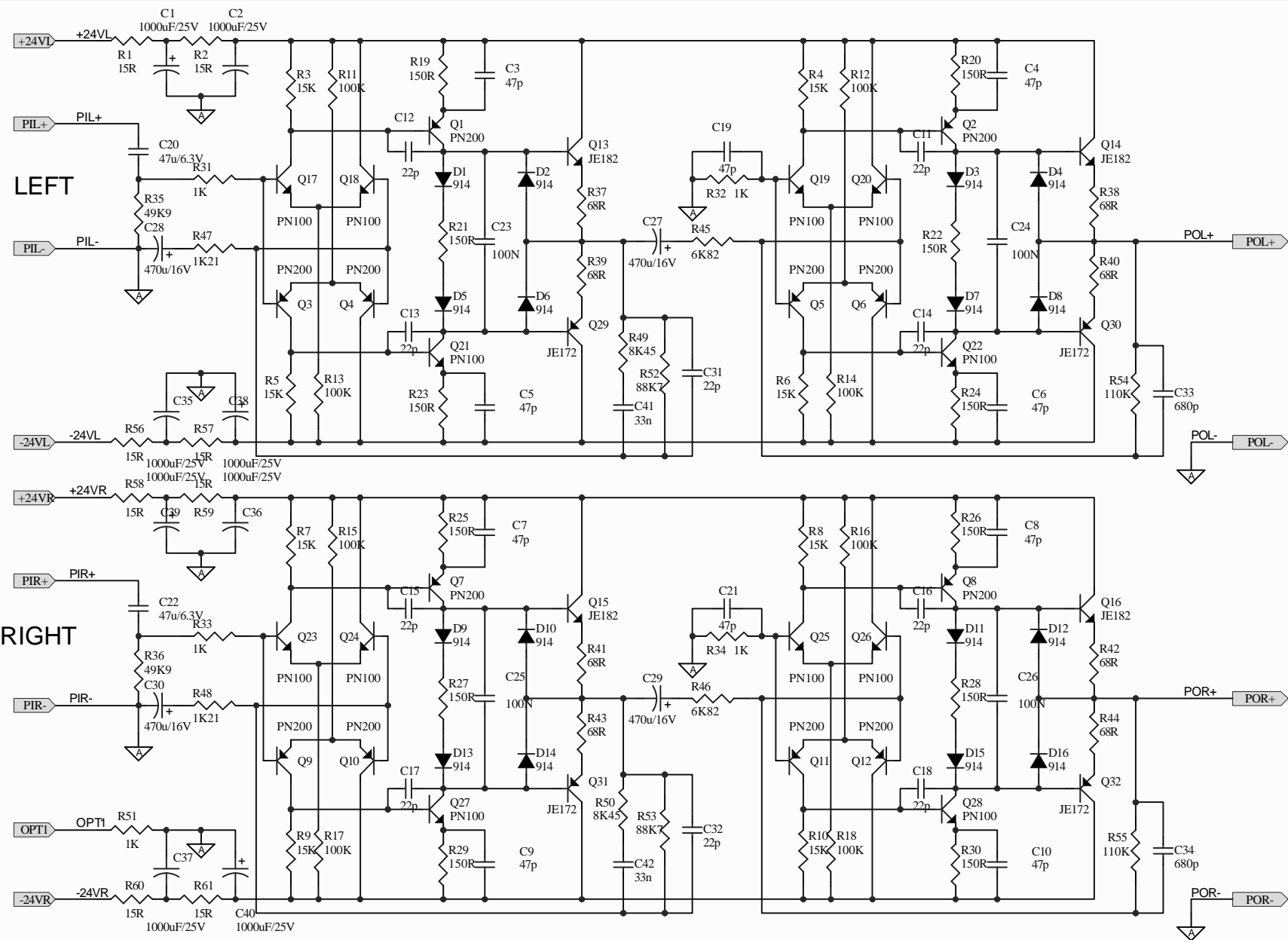
	BRYSTON LTD <small>P.O. BOX 2170, 677 NEAL DR. PETERBOROUGH, ONTARIO CANADA K9J 7Y4 PHONE (705) 742-5325 FAX (705) 742-0882 WWW.BRYSTON.CA</small>	Size : A
	Title : B100 Motor Pot Board	Rev : 2
File : B100 Motor Pot Board R2.Sch	Sheet : 1 of 1	
Date : 2/18/2005	Drawn :	


1 2 3 4 5 6 7 8 9 10

RIGHT



 <b style="font-size: 24pt;">BRYSTON <small>LTD. P.O. BOX 2170, 677 NEAL DR. PETERBOROUGH, ONTARIO CANADA K9J 7Y4 PHONE (705) 742-5325 FAX (705) 742-0882 WWW.BRYSTON.CA</small>	Size : A
	Rev : 0
Title : Output Buffers	
File : Output Buffer 2.SCH	Sheet : 1 of 1
Date : 2/18/2005	Drawn : D.M.



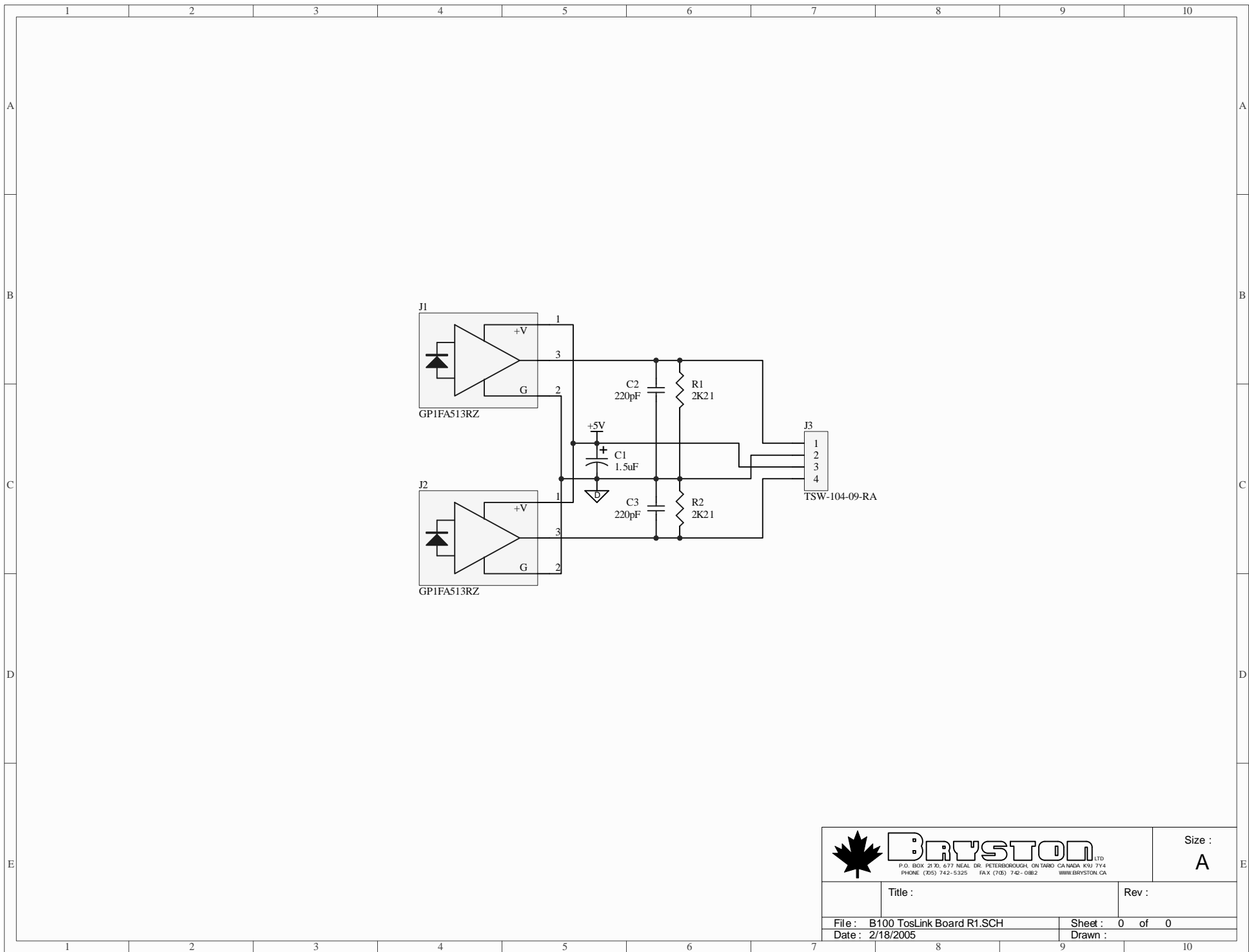


BRYSTON LTD.

P.O. BOX 2170, 677 NEAL DR. PETERBOROUGH, ONTARIO CANADA K9J 7Y4
PHONE (705) 742-5325 FAX (705) 742-0882 WWW.BRYSTON.CA

Size :
A

Title : B150 Phono Option Board		Rev : 0
File : B100 Phono Board R1.SCH		Sheet : 1 of 1
Date : 2/18/2005		Drawn : D.M.

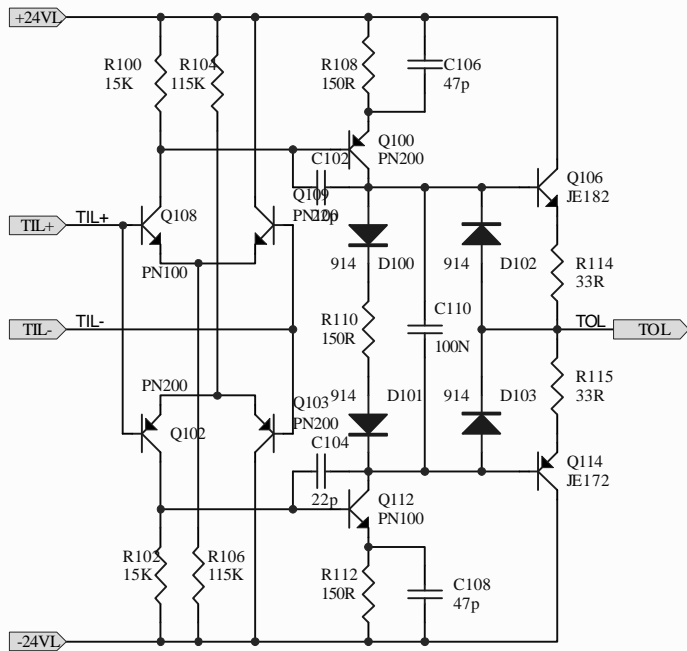


BRYSTON LTD.
 P.O. BOX 2170, 677 NEAL DR., PETERBOROUGH, ONTARIO, CANADA K9J 7Y4
 PHONE (205) 742-5325 FAX (705) 742-0882 WWW.BRYSTON.CA

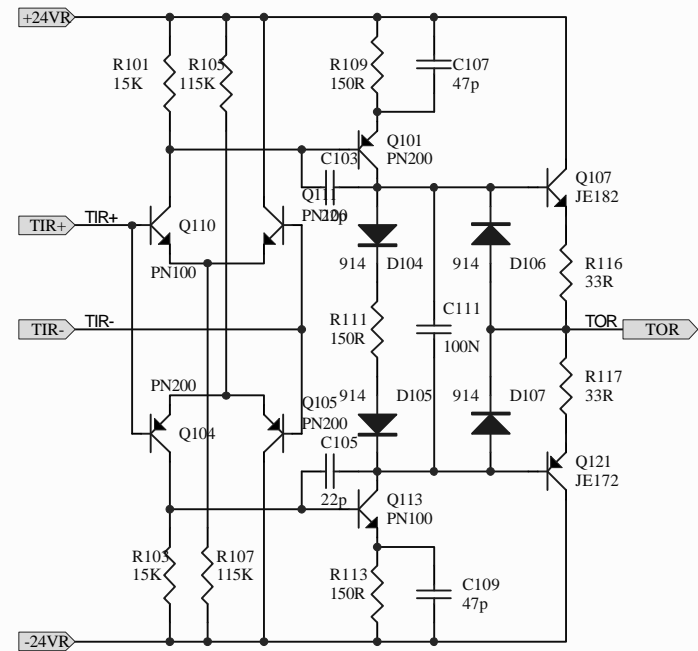
Size :
A


Title :		Rev :	
File : B100 TosLink Board R1.SCH		Sheet : 0 of 0	
Date : 2/18/2005		Drawn :	

LEFT

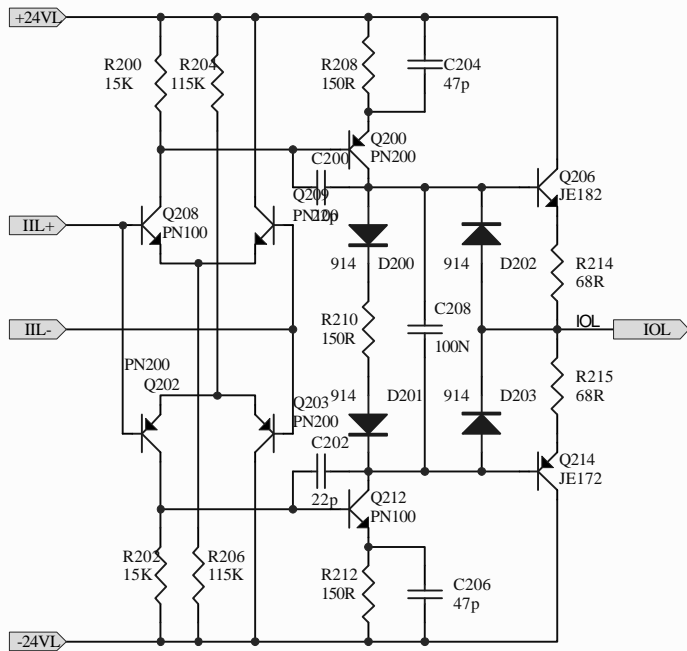


RIGHT

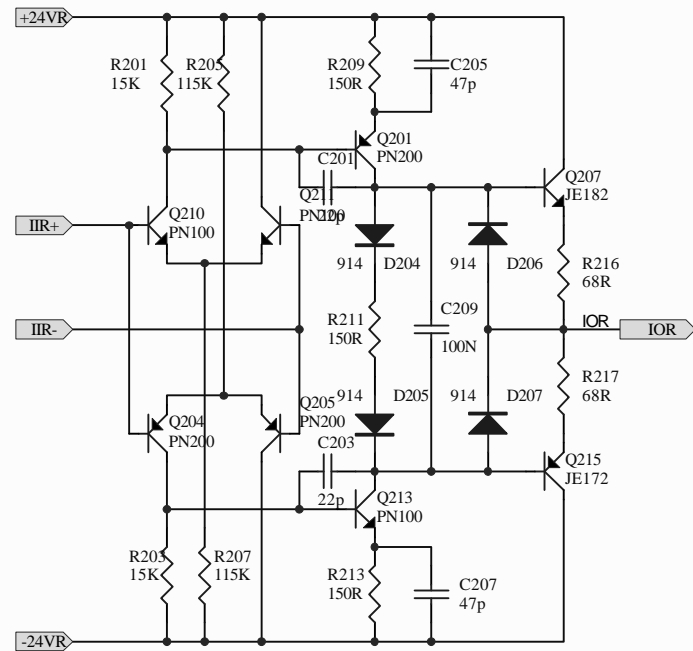



 BRYSTON <small>P.O. BOX 2170, 677 NEAL DR. PETERBOROUGH, ONTARIO CANADA K9J 7Y4 PHONE (705) 742-5325 FAX (705) 742-0882 WWW.BRYSTON.CA</small>		Size:
		A
Title: TAPE Output Buffer		Rev: 0
File: TAPE Buffer.Sch	Sheet: 1 of 1	
Date: 2/18/2005	Drawn: D.M.	

LEFT



RIGHT



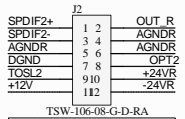
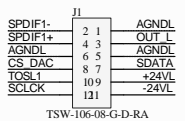
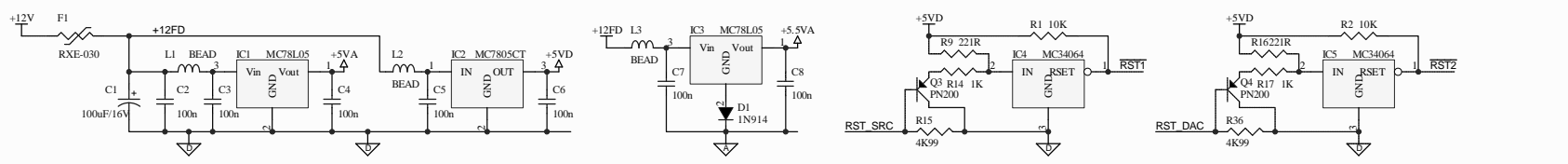
 BRYSTON <small>P.O. BOX 2170, 677 NEAL DR. PETERBOROUGH, ONTARIO CANADA K9J 7Y4 PHONE (705) 742-5325 FAX (705) 742-0882 WWW.BRYSTON.CA</small>		Size:
		A
Title: Input Buffers		Rev: 0
File: Input Buffer.Sch	Sheet: 1 of 1	
Date: 2/18/2005	Drawn: D.M.	

AUDIO
0 - LPCM
1 - Other

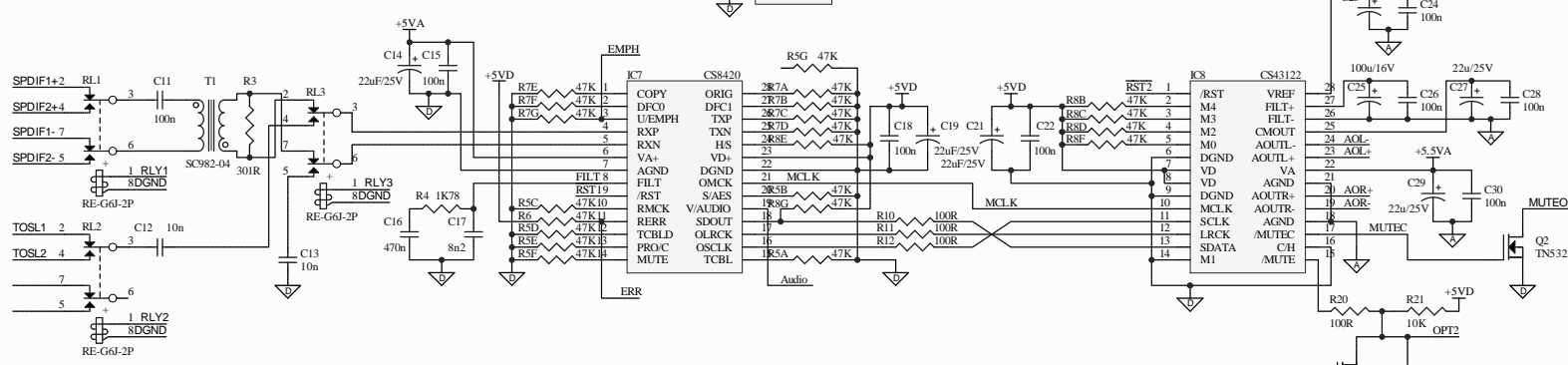
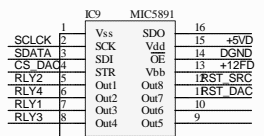
PROC
0 - Consumer
1 - Pro

RERR
0 - Lock
1 - Problem

EMPH
0 - 50/15 us preemphasis
1 - otherwise



Pin J2-6 doubles as OPT2 detection during boot-up, and ERR detection during normal operation.
DAC YES:NO : '0'/'1'
AUDIO YES:NO : '1'/'0'

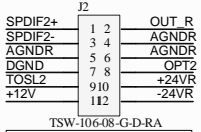
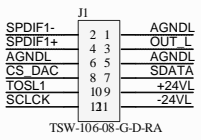
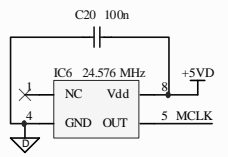
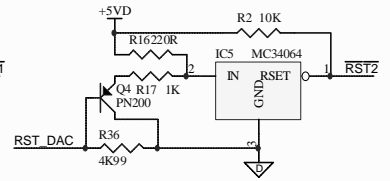
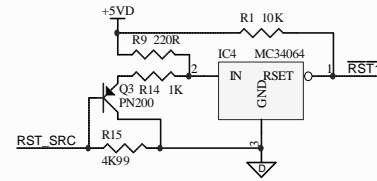
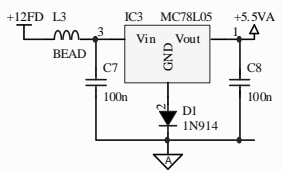
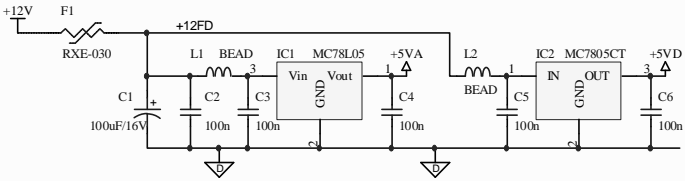


AUDIO
0 - LPCM
1 - Other

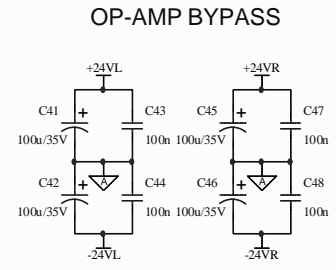
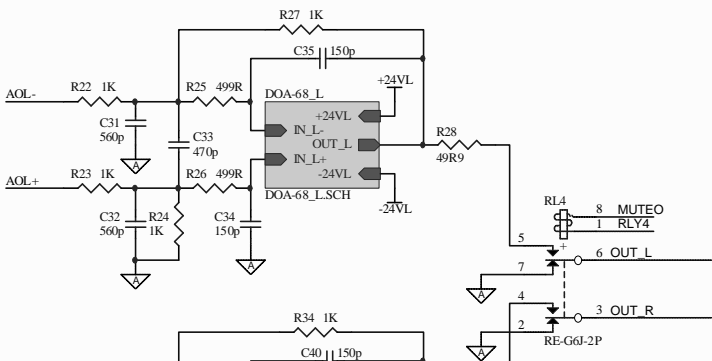
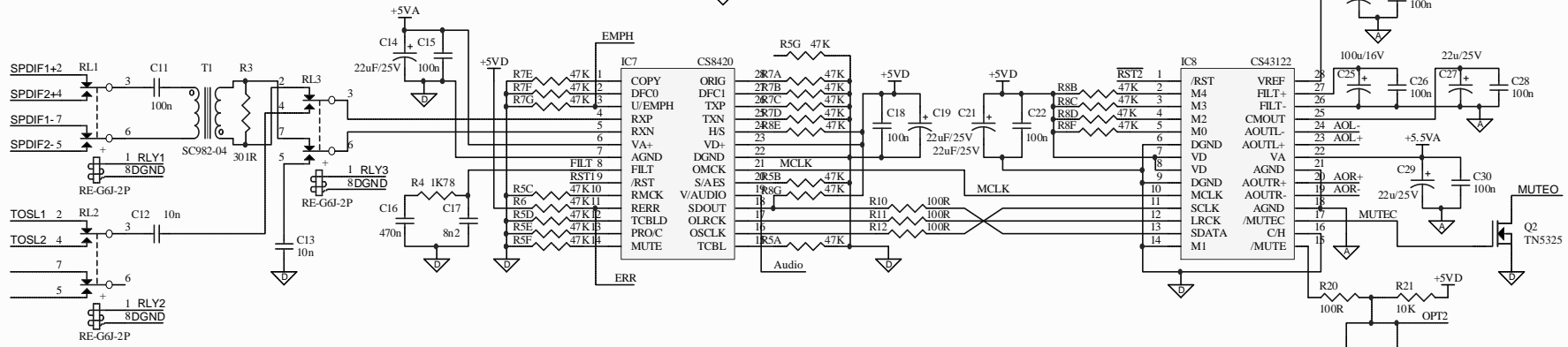
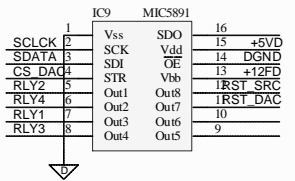
PROC
0 - Consumer
1 - Pro

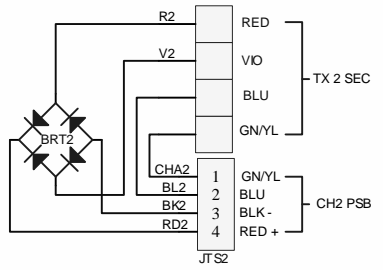
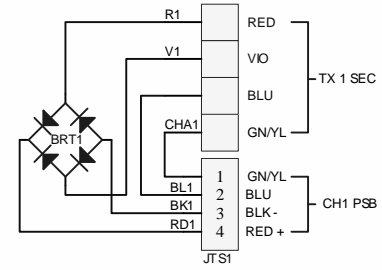
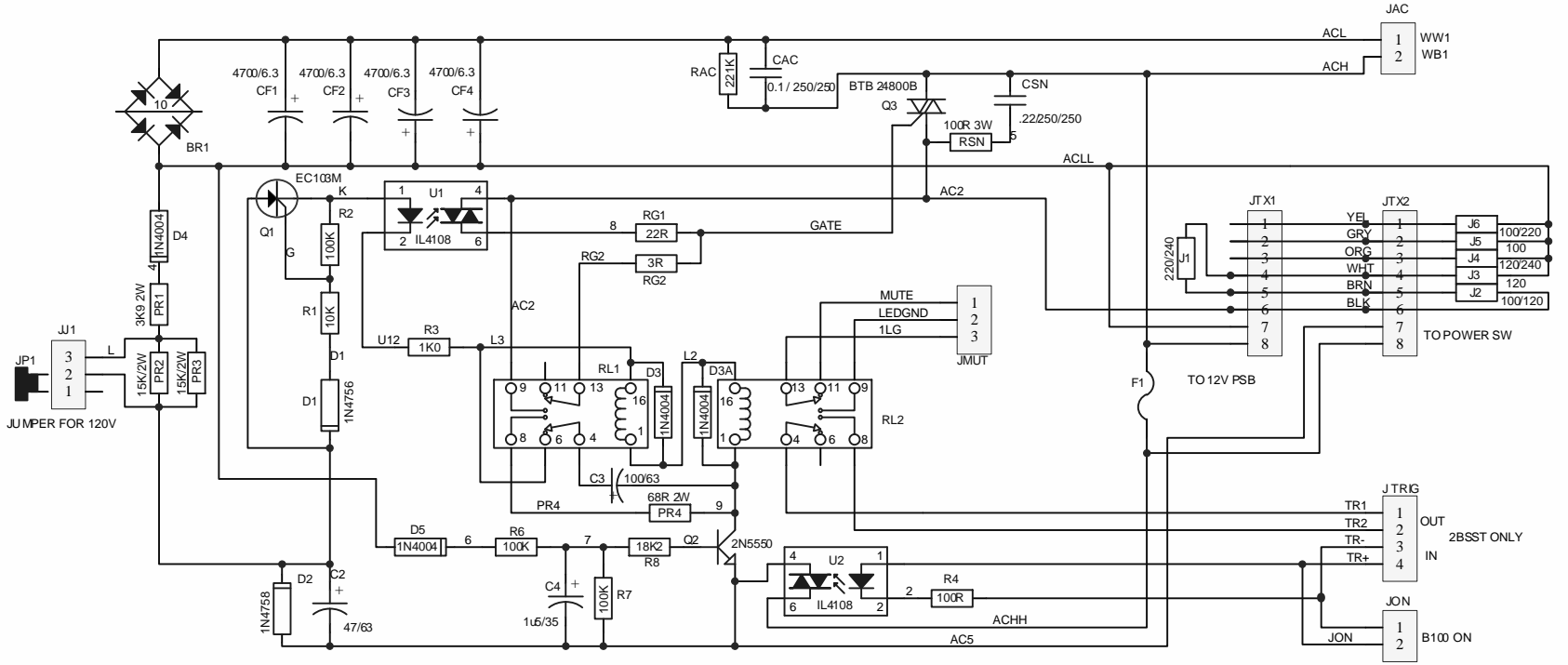
RERR
0 - Lock
1 - Problem

EMPH
0 - 50/15 us pre-emphasis
1 - otherwise




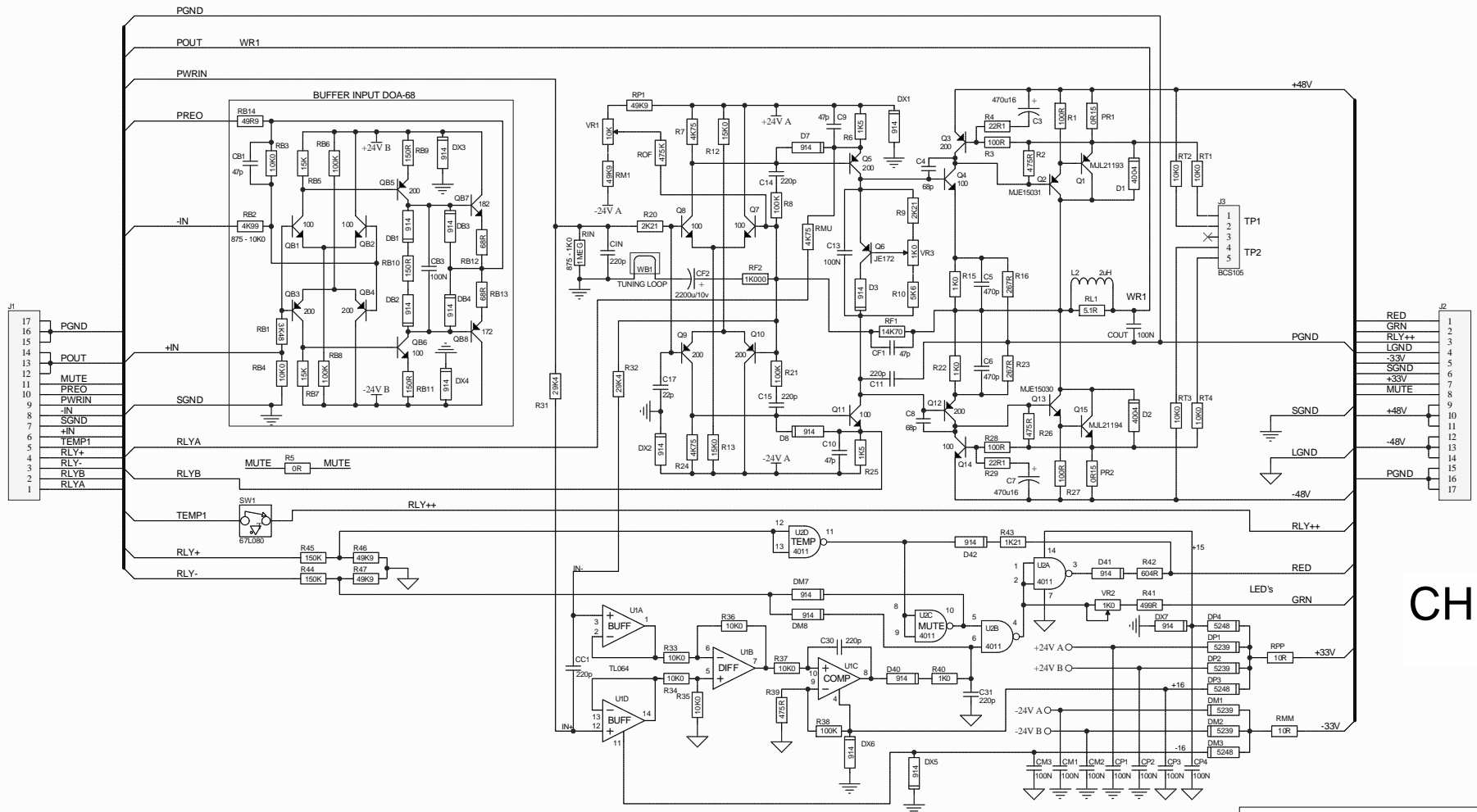
Pin J2-6 doubles as OPT2 detection during boot-up, and ERR detection during normal operation.
DAC YES/NO: "0"/"1"
AUDIO YES/NO: "1"/"0"





B100/2BSST START CIRCUIT R3

	BRYSTON <small>LTD.</small>	Size : A
	<small>P.O. BOX 2170, 677 NEAL DR., PETERBOROUGH, ONTARIO, CANADA K9J 7Y4 PHONE (205) 742-5325 FAX (705) 742-0882 WWW.BRYSTON.CA</small>	
Title : B100/2BSST START BOARD		Rev : R3
File : 2BSST Start Board R3.SCH		Sheet : 1 of 1
Date : 2/18/2005		Drawn :

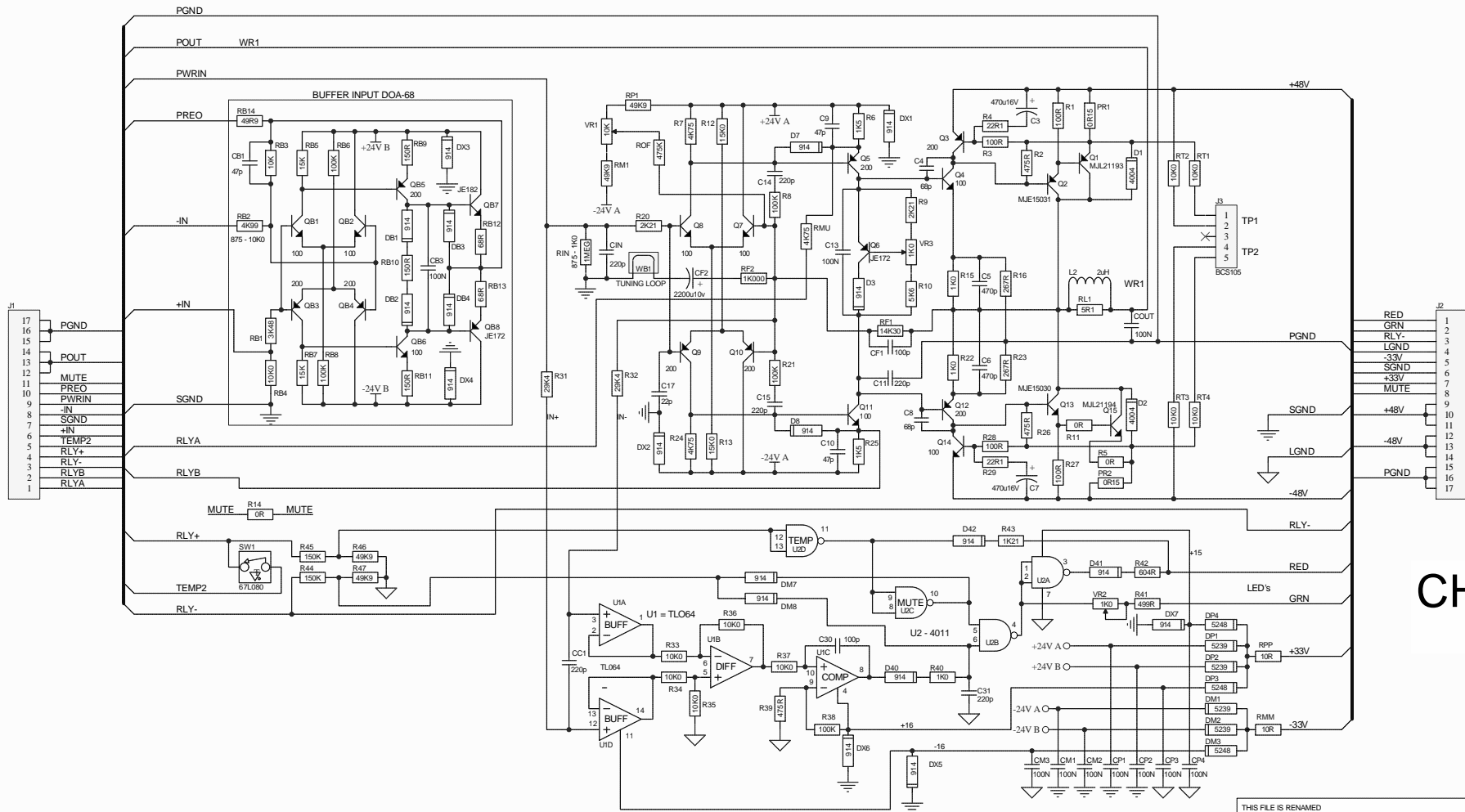


- 11531B4B
- 11531B4B
- 11531B4B
- 11531B4B
- 11531B4B

THIS FILE HAS BEEN RENAMED
 FORMALLY 875 RIGHT CH R3
 channel.
 Rev 5 - fixed DX5 and DX6 polarity
 added CC1 across pins 3, and 12 of
 the to64, change r4 to 10k when 875

REV 4 CHANGES		Title : B100 2BSST 875 CHANNEL B		Size : B
Date : 2/18/2005		Rev : R5		Sheet : 1 of 1
File : Channel B R5.sch		Date : 2/18/2005		Drawn : ST





CH A

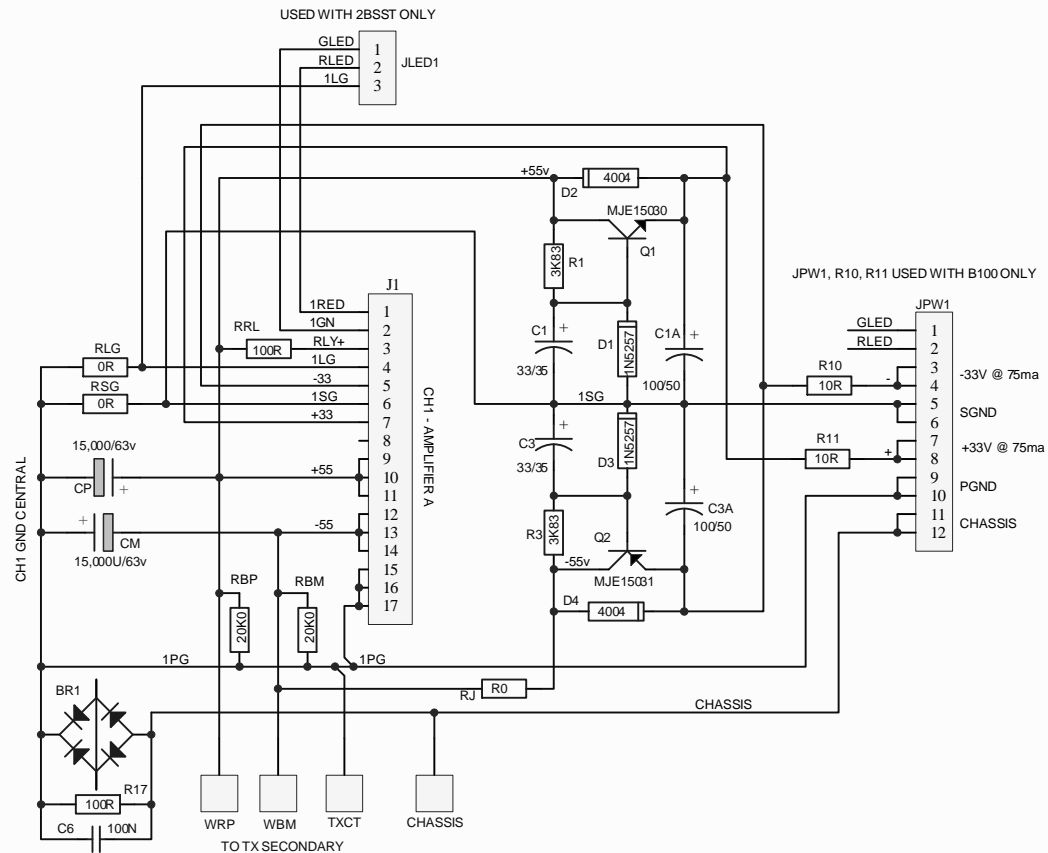
- 11531B4B
- 11531B4B
- 11531B4B
- 11531B4B
- 11531B4B

THIS FILE IS RENAMED
FORMERLY 975 LEFT CH R3
REV 4 CHANGES
ADD DX1 THROUGH DX7
OPTIONS FOR R1V, R6Z AND R64
REV 5 - ADD CC1 ACROSS TLO64 INPUTS
CHANGE POLARITY OF DX5 AND DX6
R64 STAYS 10K FOR ALL ADRS INSTATIONS

CRYSTON LTD.
P.O. BOX 2713, 677 NEAL DR. PETERBOROUGH, ONTARIO CANADA K7A 7Y4
PHONE: (705) 743-5225 FAX: (705) 743-0882 WWW.CRYSTONCA.COM

Title: **B100_2BSST_875 CHANNEL A** Rev: **R5**

File: Channel A R5.sch Sheet: 1 of 1
Date: 2/18/2005 Drawn: ST



CH1 POWER SUPPLY PCB R4



Size :
A

Title :
B100/2BSST CH1 PSB

Rev :
4

File : B100_2BSST CH1 PSB R4.SCH
 Date : 2/18/2005

Sheet : 1 of 1
 Drawn :