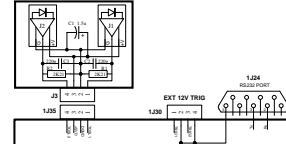
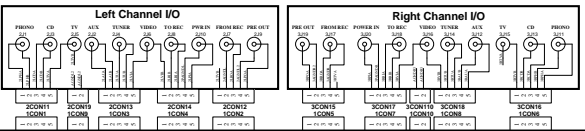


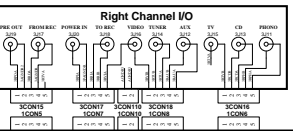
B135 BP17 TosLink Board R1



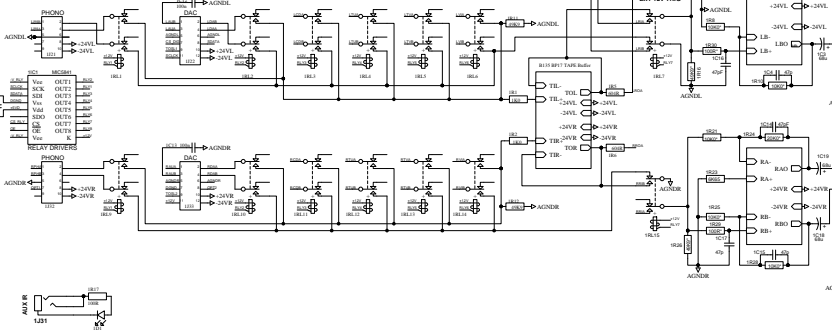
Left Channel I/O



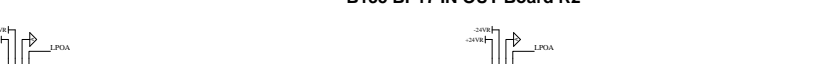
Right Channel I/O



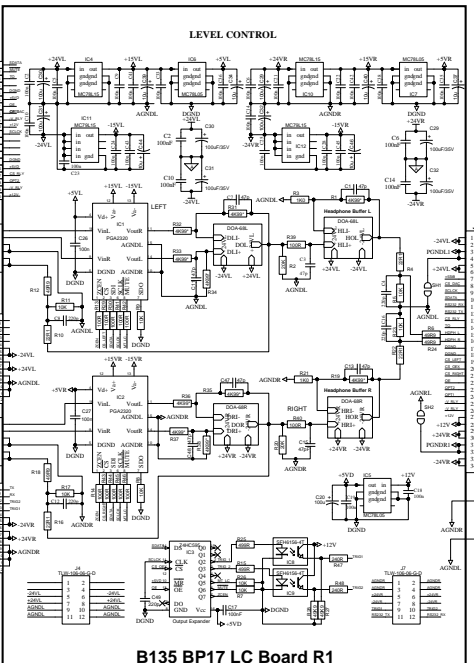
OPTIONS INPUTS



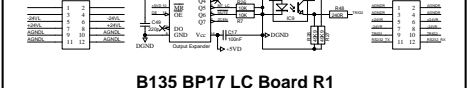
B135 BP17 IN OUT Board R2



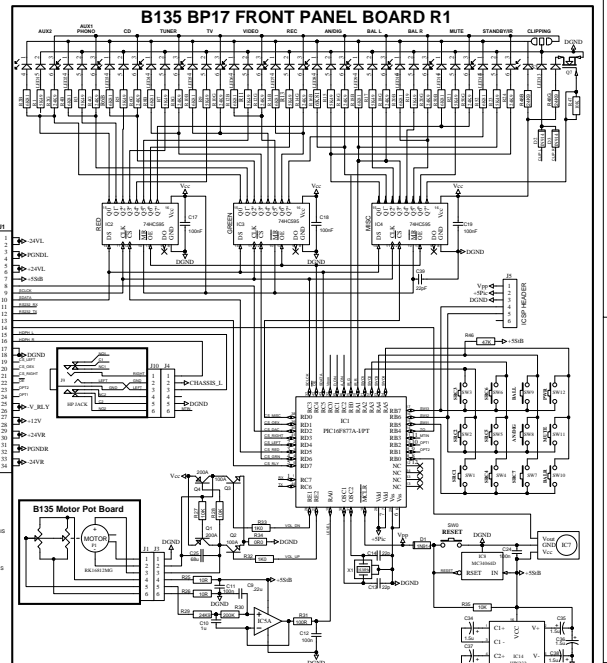
LEVEL CONTROL



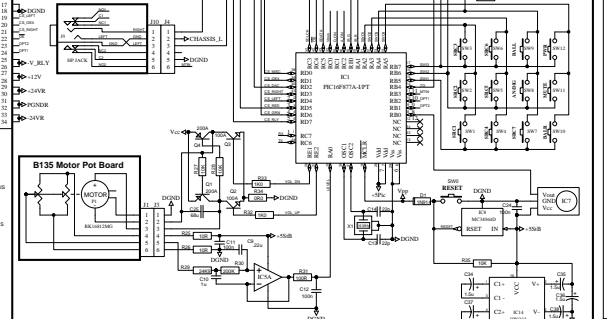
B135 BP17 LC Board R1



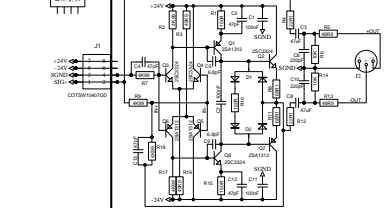
B135 BP17 FRONT PANEL BOARD R1



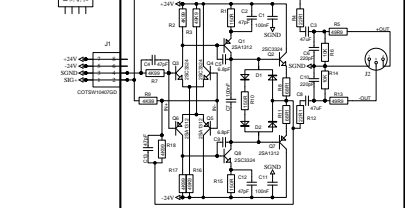
B135 Motor Pot Board



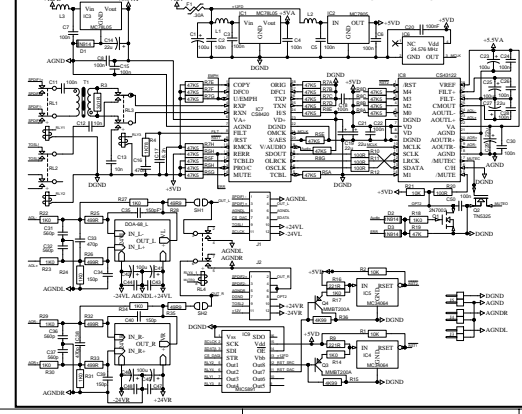
BP17 BAL OUT INVERTER R1



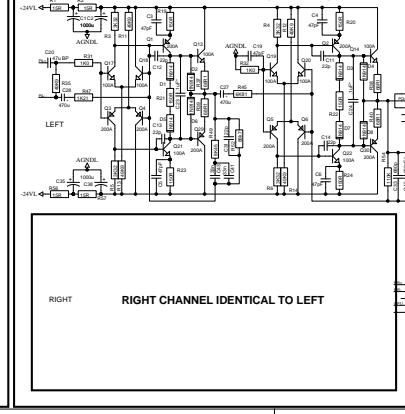
BP17 BAL OUT INVERTER R1



B135/BP17 DAC Board R1 (OPTION)

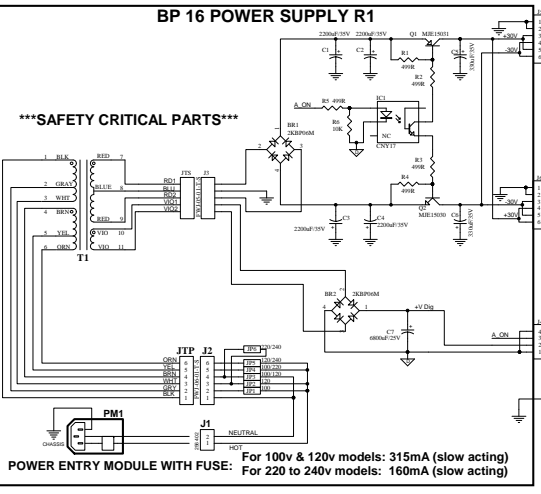


B135 BP17 PHONO Board R1 (OPTION)



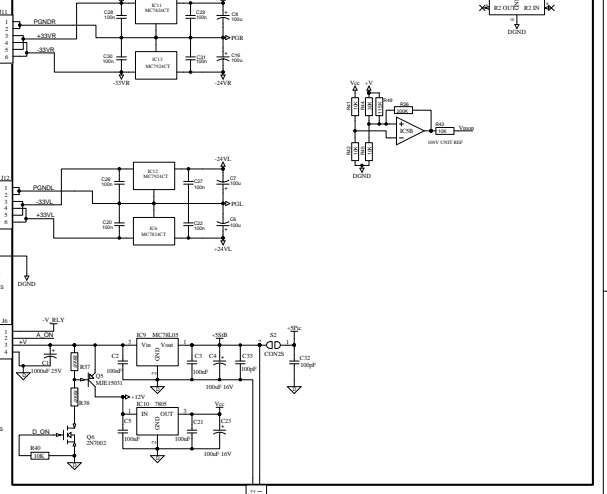
RIGHT CHANNEL IDENTICAL TO LEFT

BP 16 POWER SUPPLY R1



\*\*\*SAFETY CRITICAL PARTS\*\*\*

POWER ENTRY MODULE WITH FUSE: For 100v & 120v models: 315mA (slow acting) For 220 to 240v models: 160mA (slow acting)



# BP17 PREAMPLIFIER OVERALL SCHEMATIC