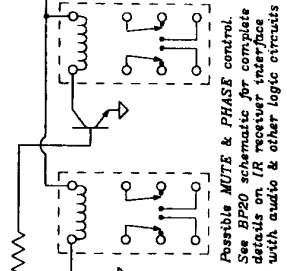
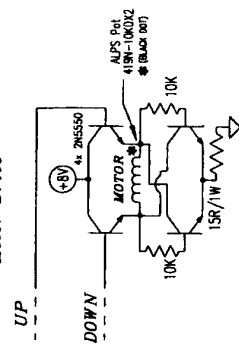


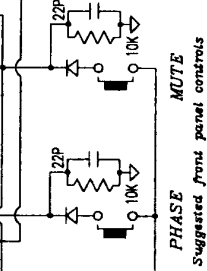
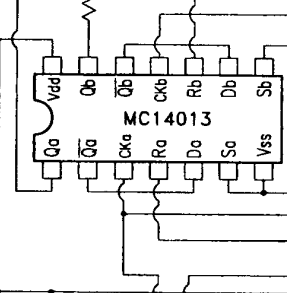
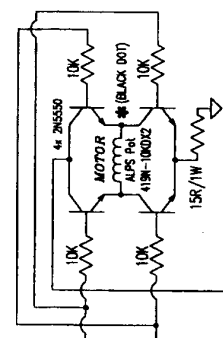
Alternate H-Bridge Motor Drive



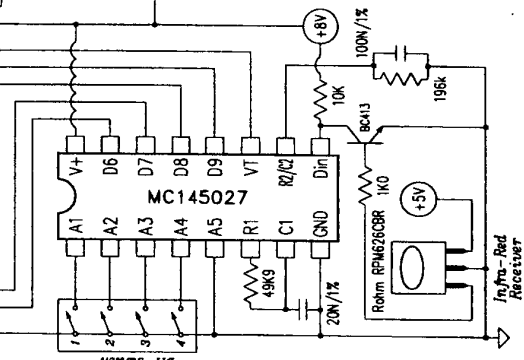
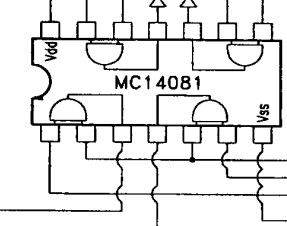
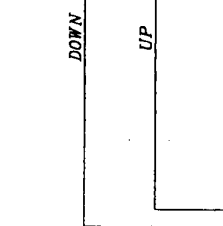
Possible MUTE & PHASE control. See BP20 schematic for complete details on I/R receiver interface with audio & other logic circuits

RESET-ON-POWER-UP PULSE

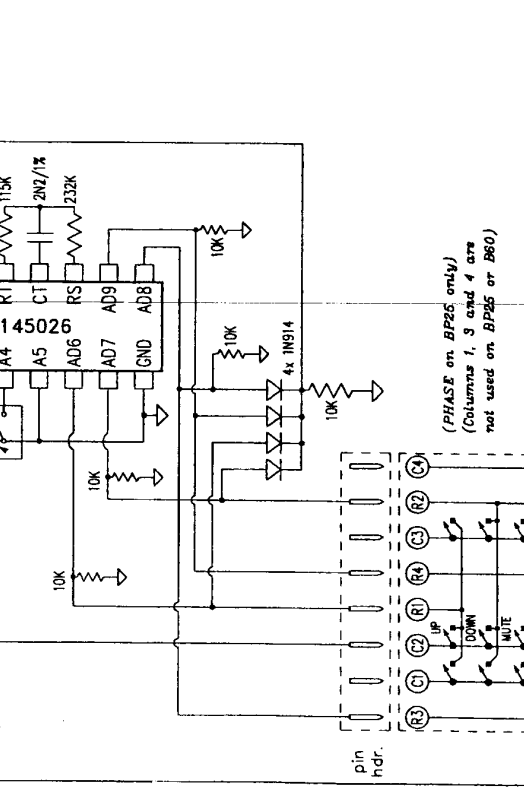
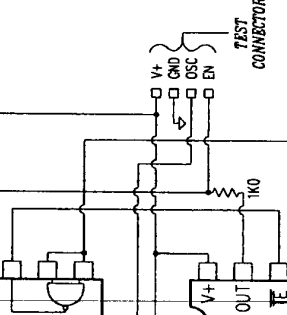
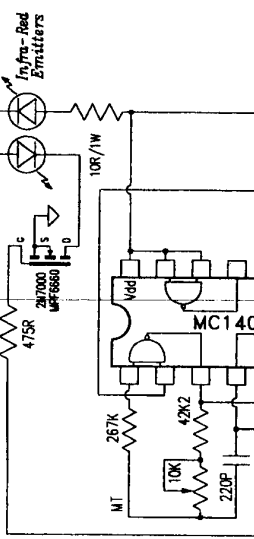
RECEIVER



PHASE MUTE Suggested front panel controls



TRANSMITTER



(PHASE on BP25 only) (Columns 1, 3 and 4 are not used on BP25 or B60)

REV 0.0 16 OCT 98
Prototype derived from RC25s v1.1. MOSFET driver replaces bipolar, used with 4x4 keypad matrix switch.

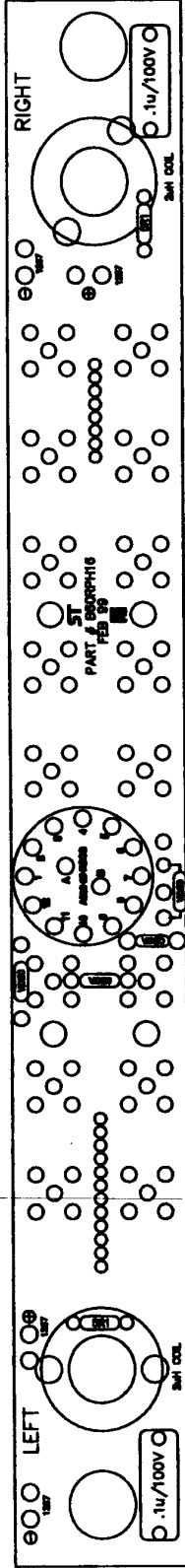
BOYSTON Inc.
P.O. Box 2170, Peterborough, Ont., Canada K9J-7Y4 (705)742-5255

SCHEMATIC for "TYPE 4" REMOTE CONTROLS
for BP25 PreAmps & B60 Integrated Amps

Date: 16 OCT 98
File: RC4-25S
Part No: RC4-25S

RC4-xxx-4SP membrane switch array (only centre columns used on BP25 and B60)

The two DIP switches set the device addresses and all are normally closed. The transmitter DIP switch (*) must match the receiver switch (**)



REV 1.6 FEB 1999 **ST**

ADDED JUMPERS FOR PHONO OPTION
ADDED GOLD PLATING

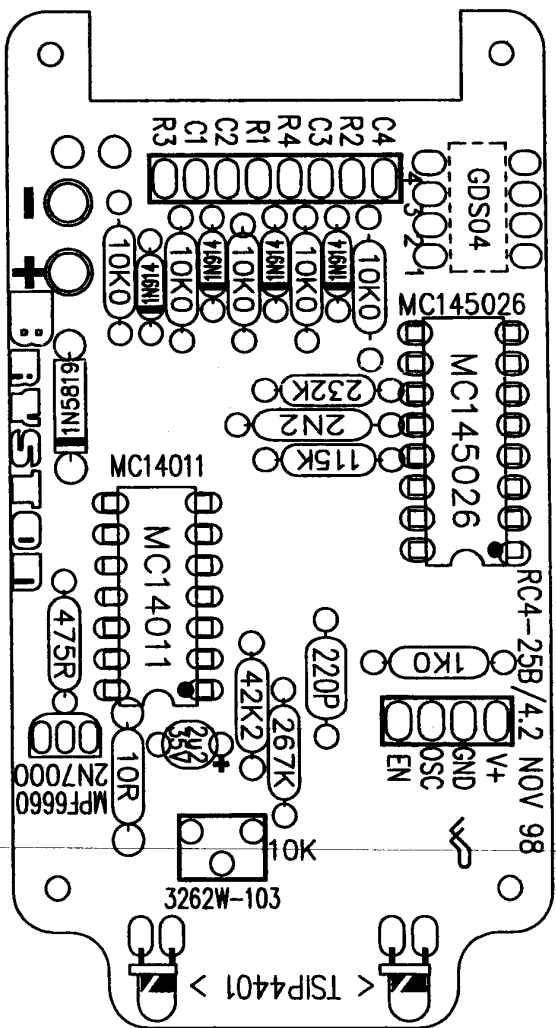


CRYSTAL LTD
577 NEAL DR. PETERBOROUGH, ONTARIO CANADA K9J 7Y5
PHONE (705) 742-8325 FAX (705) 742-0862

RCA INPUT BOARD
B60(R) RCA/PHONO INPUT BOARD

FILE: B60PH16 PART No: B60PH16

DATE: FEB 1999 DWG BY: **PS** REV: 1.6



REV 4.1 14 OCT 98
 Prototype, derived from
 RC25B/1.2

REV 4.2 9 Nov 98
 Reversed membrane sw.
 pinout, clarified legend,
 added strain relief hole for
 battery leads

- A: P62x112x32
- B: P100_100 (.07 pad, .096 hole)
- C: P75_32 (P75x32)
- D: P125x75x40
- E: P55x100x28
- F: P125x55x28
- G: P100x40

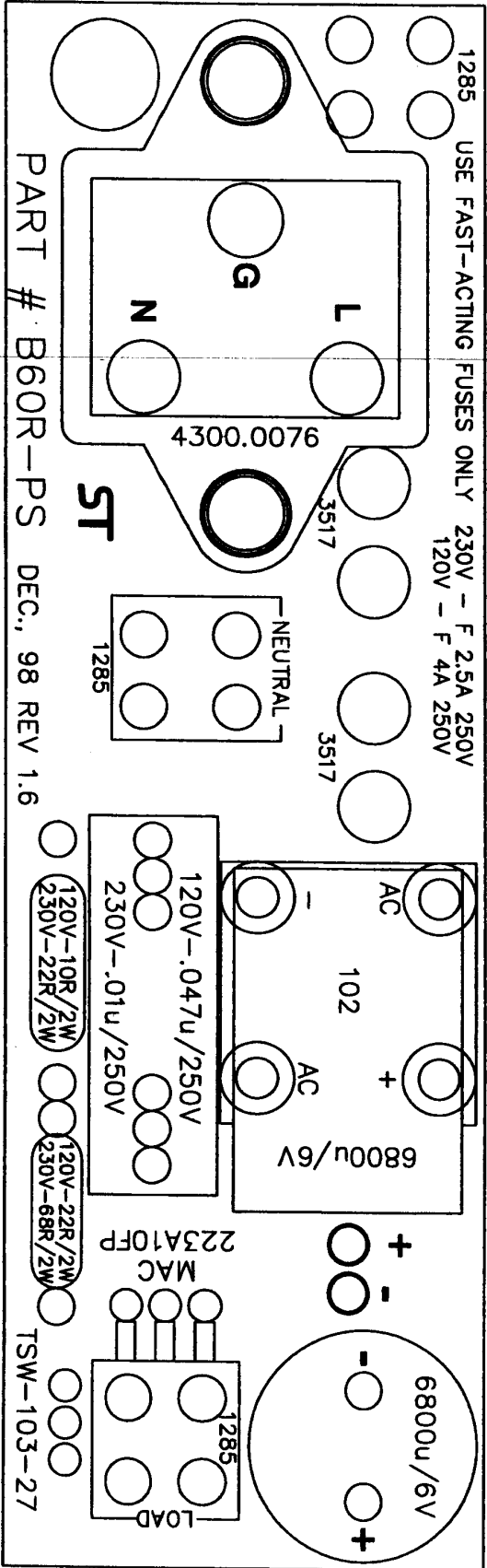
- H: P75x120
- J: P125x40
- K: P125x75_35
- N: P75x100_35

BRISTOL
 P.O. BOX 2170, 877 NEAL DRIVE, PETERBOROUGH, ONTARIO, CANADA K0J 7Y
 PHONE: 705-742-5325 FAX: 705-742-0882 INTERNET: www.bristol.com

RC4-25 REMOTE CONTROL TRANSMITTER
 for use RC4 MACHINED ALUMINUM ENCLOSURE
 and with both BP-25 Preamp & B90 Amplifier

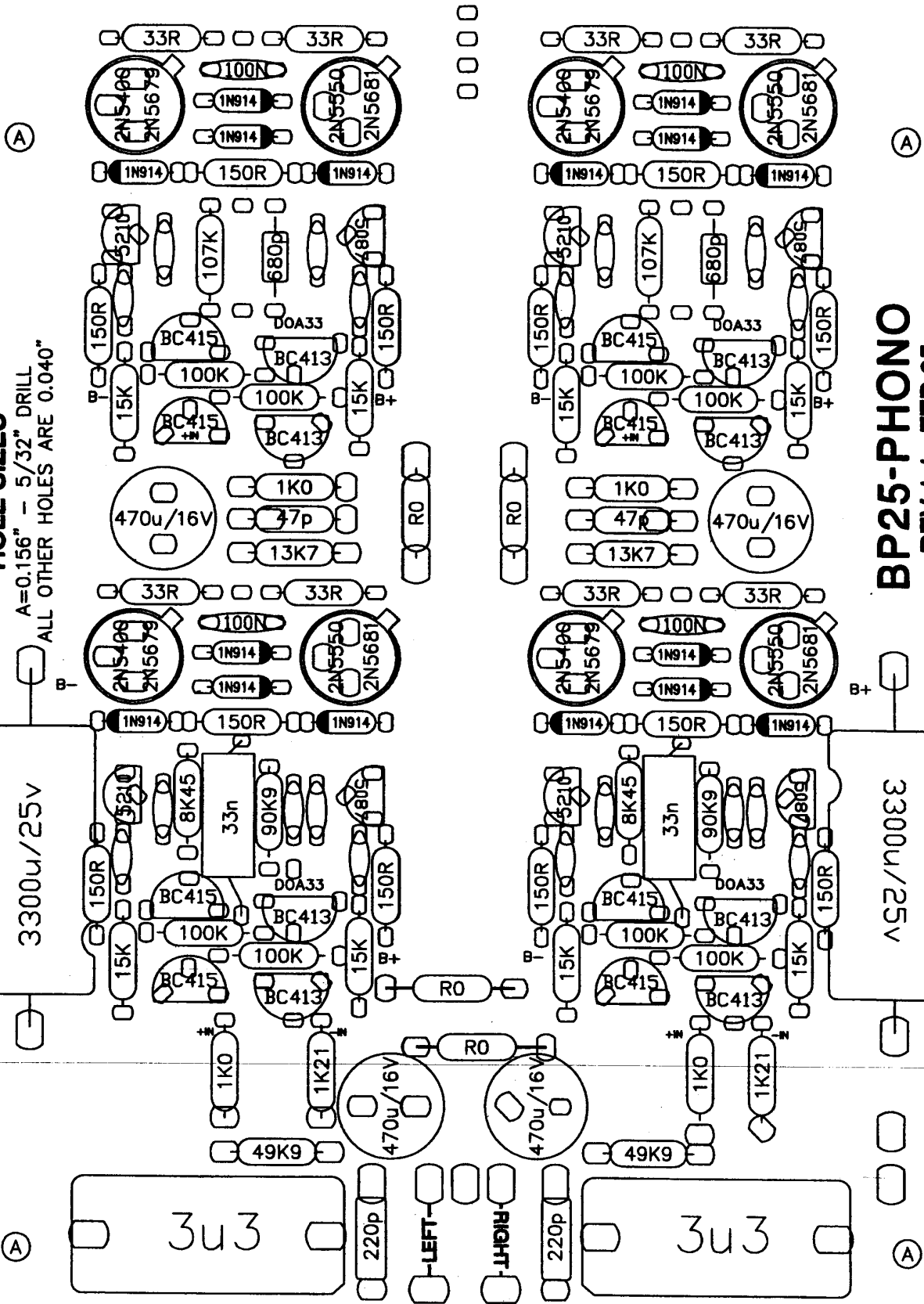
File: RC4-25b2
 Part/Rev No: RC4-25b/4.2
 Date: 9 NOV 1998

ENGR:



HOLE SIZES

A=0.156" - 5/32" DRILL
ALL OTHER HOLES ARE 0.040"

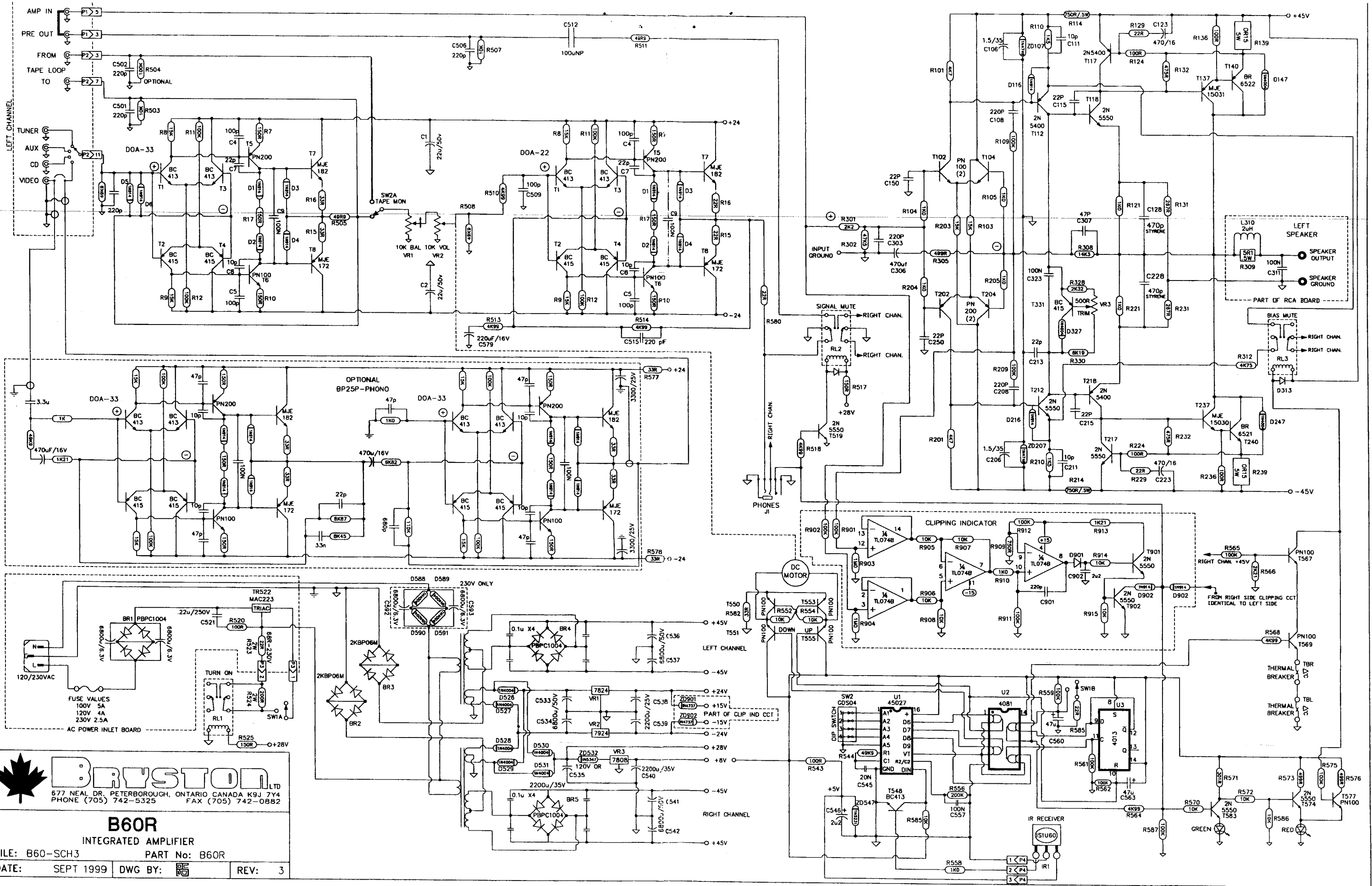


BP25-PHONO
REV 1.1 FEB 95

BRYSTON LTD
877 NEAL DR. PETERBOURCH, ONTARIO CANADA K9J 7Y4
PHONE: (705) 742-5325 FAX: (705) 742-0882

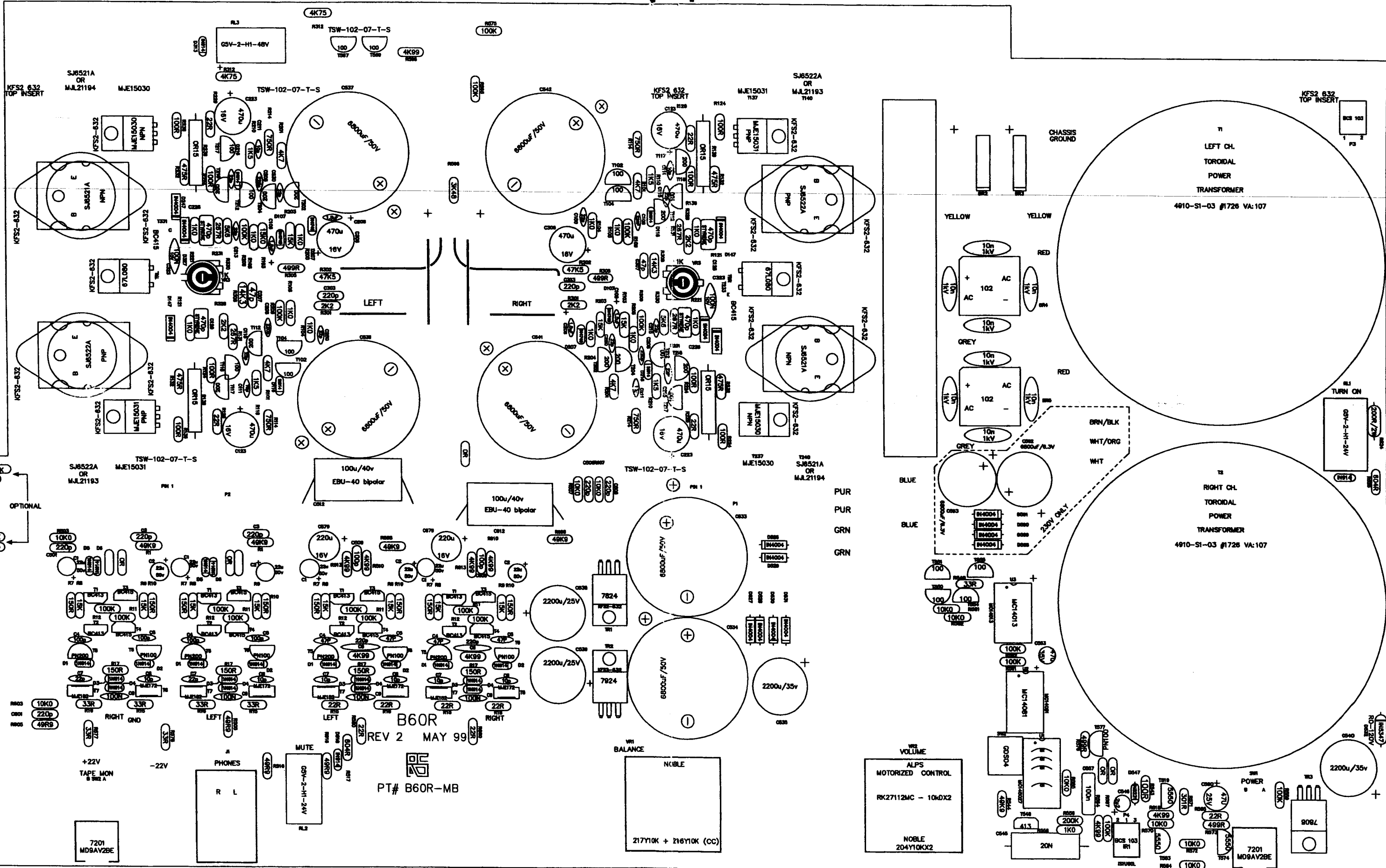
LAYERS
COMPONENTS

PHONO PREAMP
PART# BP25-PHO - R1.1 - FEB 95
USE 063 MAS BOARD WITH 2oz COPPER



BRVSTON LTD
 677 NEAL DR. PETERBOROUGH, ONTARIO CANADA K9J 7Y4
 PHONE (705) 742-5325 FAX (705) 742-0882

B60R
 INTEGRATED AMPLIFIER
 FILE: B60-SCH3 PART No: B60R
 DATE: SEPT 1999 DWG BY: REV: 3



B60R
REV 2 MAY 99
PT# B60R-MB

NOBLE
217Y10K + 218Y10K (CC)

VOL VOLUME
ALPS
MOTORIZED CONTROL
RK27112MC - 10kx2
NOBLE
204Y10KX2

7201
MDSAV2BE

7201
MDSAV2BE