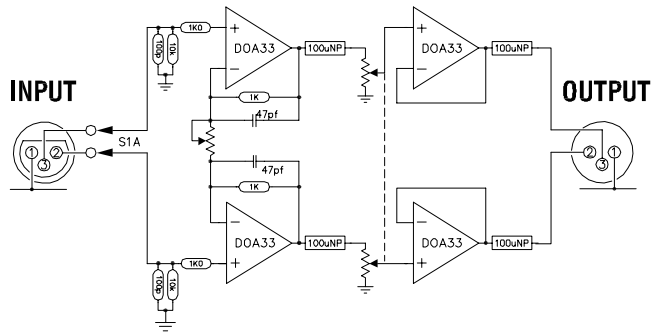
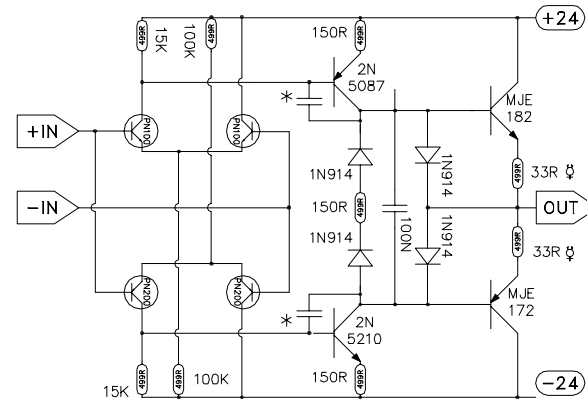


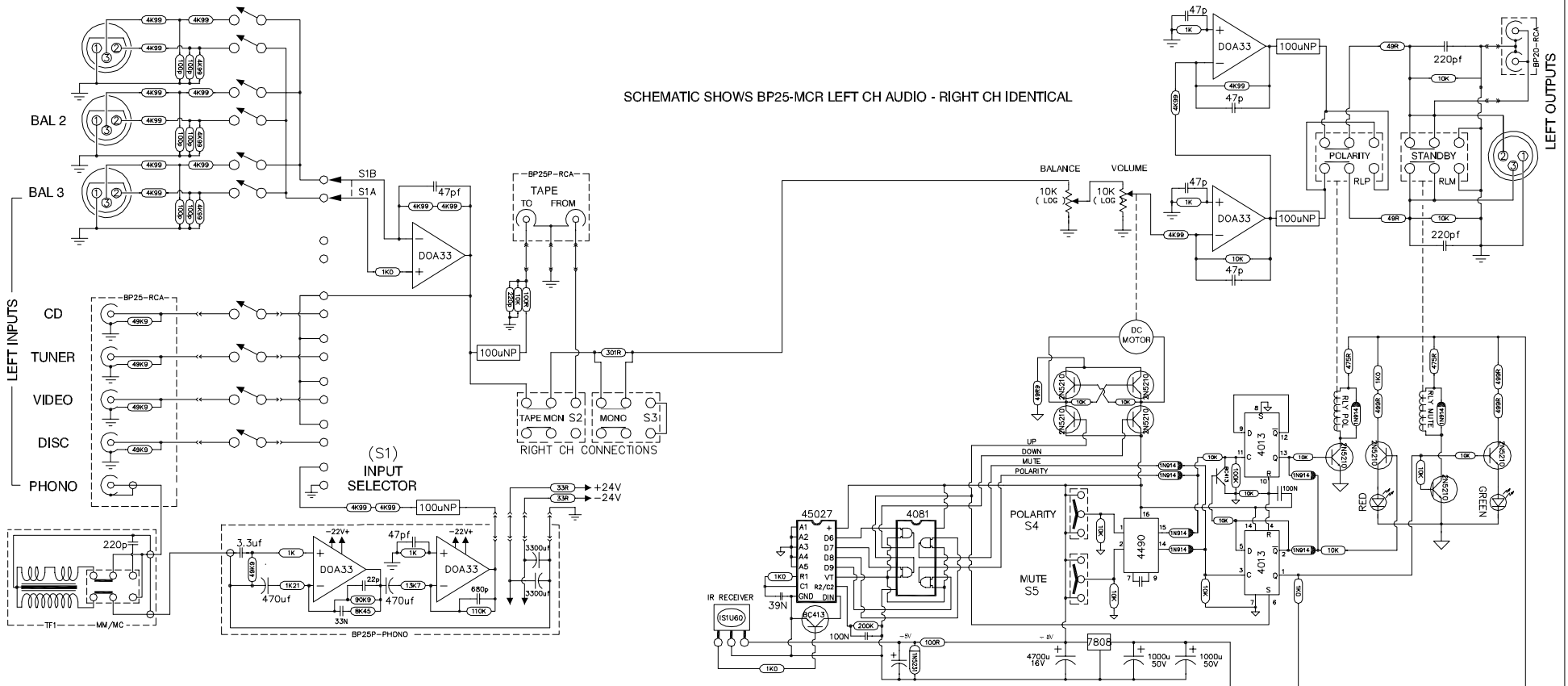
Conceptual Schematic of Balanced Audio Signal Flow



Discrete OpAmp Schematic DOA-33



SCHMATIC SHOWS BP25-MCR LEFT CH AUDIO - RIGHT CH IDENTICAL



BRVSTON LTD
 677 NEAL DR. PETERBOURGH, ONTARIO CANADA K9J 7Y4
 PHONE (705) 742-5325 FAX (705) 742-0882

BP26 PREAMP
 MAIN SCHEMATIC

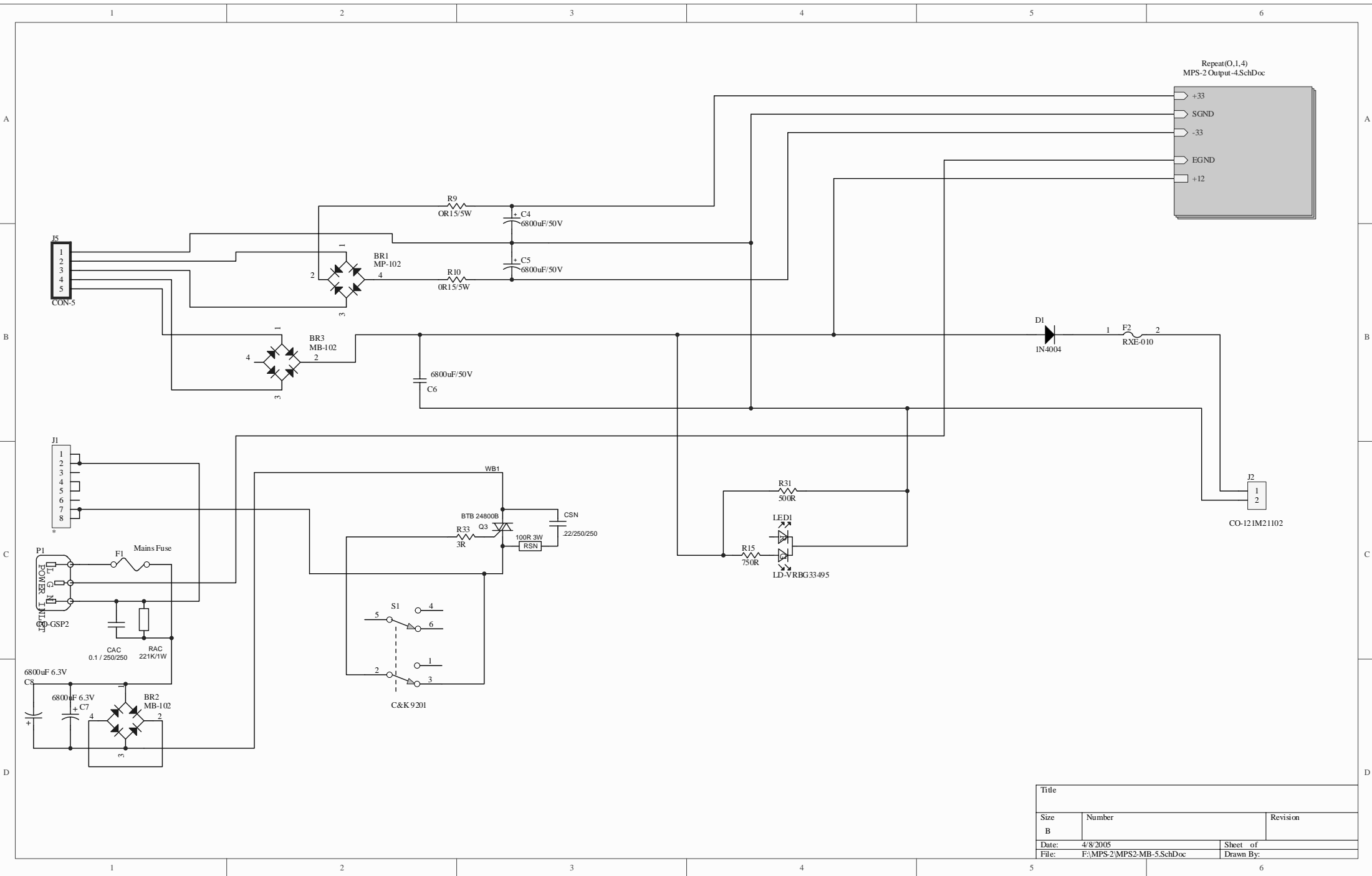
FILE: BP26-SCHEMATIC-1 PART No:
 DATE: 2005-01-17 DWG BY: REV: 1

CONNECTION to MPS2 Power Supply

INPUT XLR-6 PIN ASSIGNMENT
 PIN 1 - +37V
 PIN 2 - Mute I/O
 PIN 3 - Sig Gnd
 PIN 4 - Earth Gnd
 PIN 5 - -37V
 PIN 6 - +12V
 (* PIN 6 not connected with MPS-1 PS.)

Optional Jumper used only with MPS-1 (not installed with MPS-2)

Optional Jumper shorts signal ground to Chassis (not used)



Repeat(O,1,4)
MPS-2 Output-4.SchDoc

+33
SGND
-33
EGND
+12

J5
CON-5

J1
1
2
3
4
5
6
7
8

P1
POWER SWITCH
L
G
N

C7
6800uF 6.3V
C8
6800uF 6.3V
BR2
MB-102

S1
C&K 9201

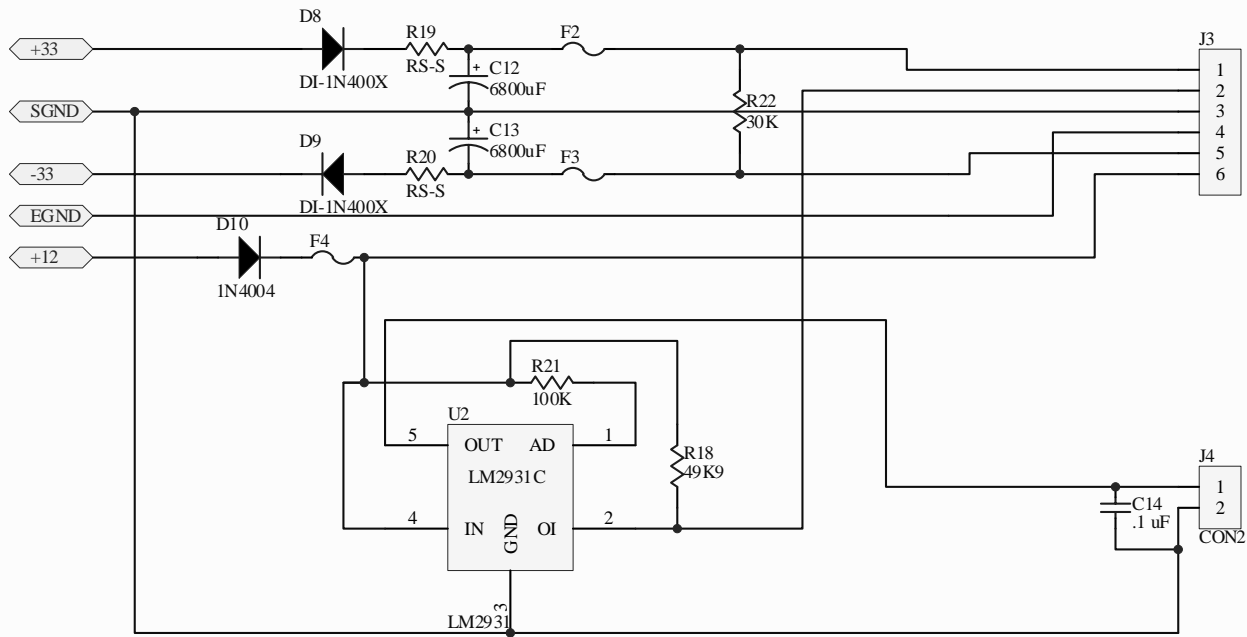
WB1
BTB 24800B
R33 3R
Q3
100R 3W
RSN
CSN 22/250/250

R31 500R
LED1
LD-VRGB33495
R15 750R

D1
IN4004
F2
RXE-010

J2
1
2
CO-121M21102

Title	
Size B	Number Revision
Date: 4/8/2005	Sheet of
File: F:\MPS-2\MPS2-MB-5.SchDoc	Drawn By:



Title		
Size	Number	Revision
A		
Date:	12/22/2004	Sheet of
File:	F:\MPS-2\MPS-2 Output-4.SchDoc	Drawn By: