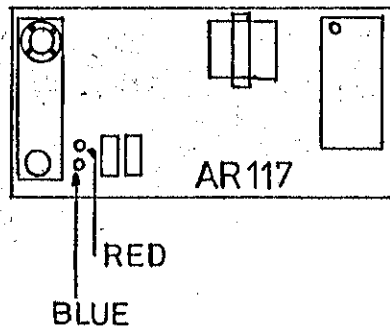


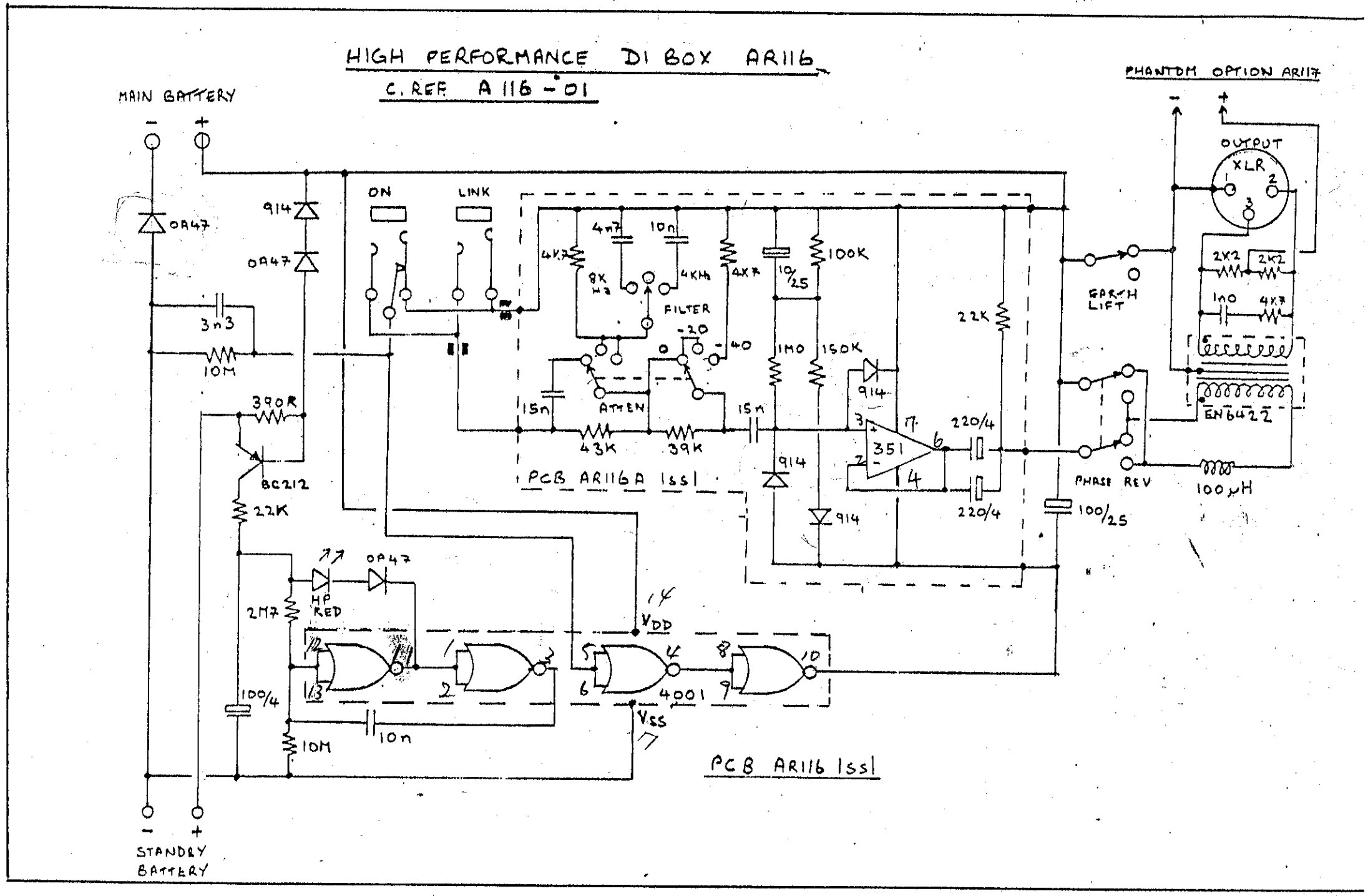
FITTING INSTRUCTIONS FOR AR117 PHANTOM UNIT TO AR116

- 1: Remove AR116 from plastic box and unclip batteries, if fitted.
- 2: At top of AR116, (main battery end) sandwiched between printed circuit board and front panel are a red and blue wire terminated in a blue sleeve. With a small screw-driver, or similar tool, pull out these two wires, remove blue sleeve, and straighten up so they stand up adjacent to the battery clip.
- 3: Cut blue sleeve in half and fit one to each of the two wires. Strip back the insulation of both wires by about 4mm and tin with solder.
- 4: Remove AR117 from its metal sleeve, and solder the red wire and blue wire from the AR116 to their respective pins on the AR117. These pins are located immediately behind the battery clip and in front of the blue capacitors. See diagram below. Slide blue sleeve up wire and over joint.
- 5: Connect main battery clip onto the AR117 and replace metal sleeve.
- 6: To ease fitting of whole unit back into plastic box, the strip of black foam, which normally cushions the battery should be removed.

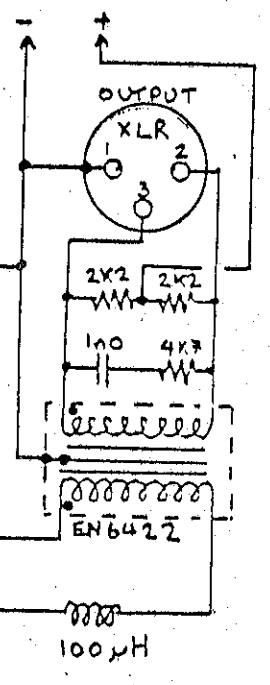
NOTE: If a battery is connected in the standby position, this will serve to power the AR116 in the event of a failure of the phantom powering. However it should be remembered that, in this case, the unit will have to be switched off by removing the jack plug from the input socket, as when the phantom power is switched off from the power supply (mixing console or separate unit) the standby battery will automatically take over and flash the warning lamp.



HIGH PERFORMANCE DI BOX AR116
 C. REF. A116-01

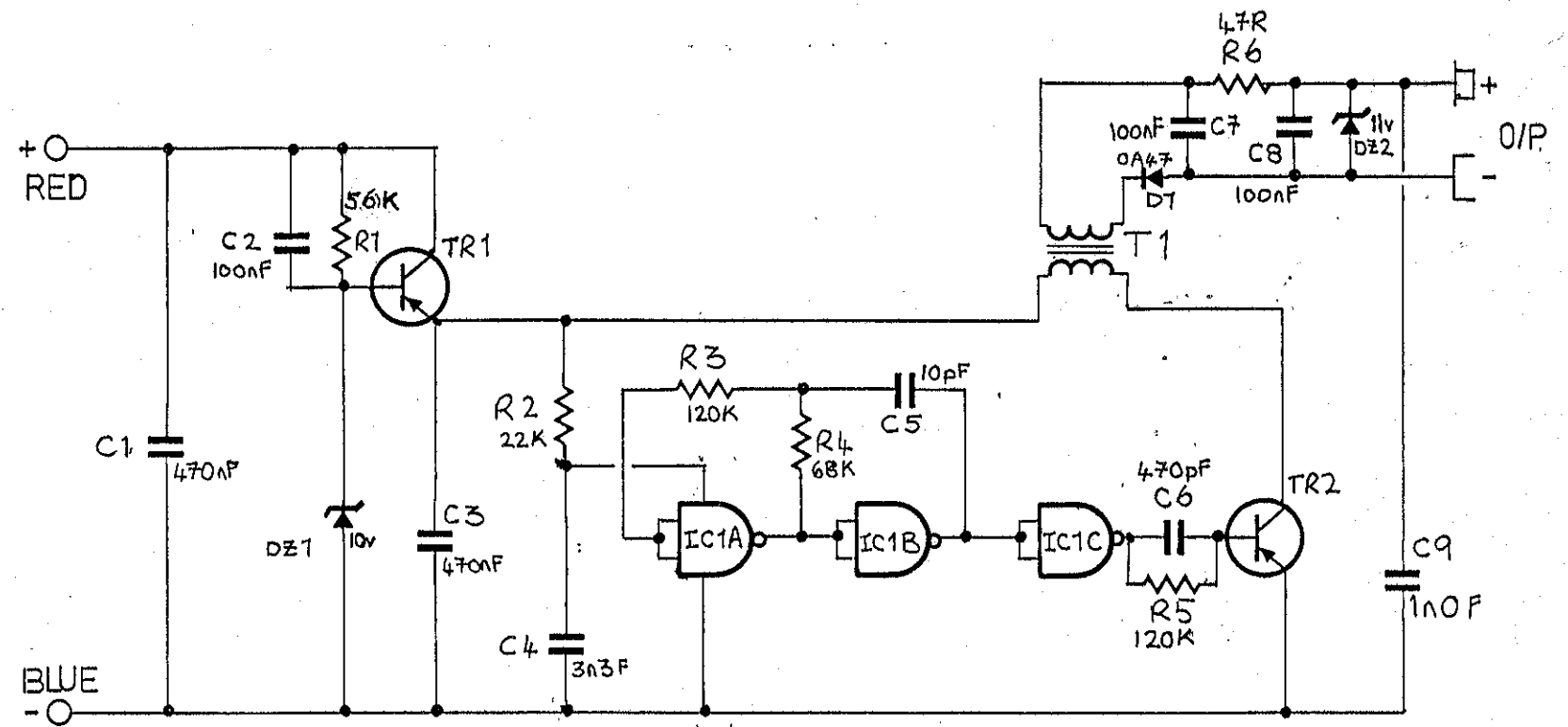


PHANTOM OPTION AR117



PHANTOM UNIT AR 117

C.REF A117-02



IC 1= CD4001B SELECTED

T1 = I.T.T. PTATA 1:1 ratio

DZ 1,2 = BZY 88C series

TR 1,2 = BC182L

copyright BROOKE SIREN SYSTEMS