

DRAWING NUMBER
DPR 402 Issue 4 MAIN CIRCUIT
SERIAL N° 4800 UPWARDS.

ALL UNMARKED OP AMPS WITH UNSPECIFIED DIODES IN 4348 SUPPLYS USE ±Ve
NPN BC182
PNP BC212
□ = CHASSIS CONNECTION
OP AMPS 1/2 LF353 CON12/21 REAR BARRIER STRIP
COMPONENT NUMBERING 998 / 999
CH1 CH2

ISSUE	DATE	MOD. No.	ISSUE	DATE	MOD. No.
1	1-7-86	0	2	12 Dec 87	1
3	13 Dec 88	1			

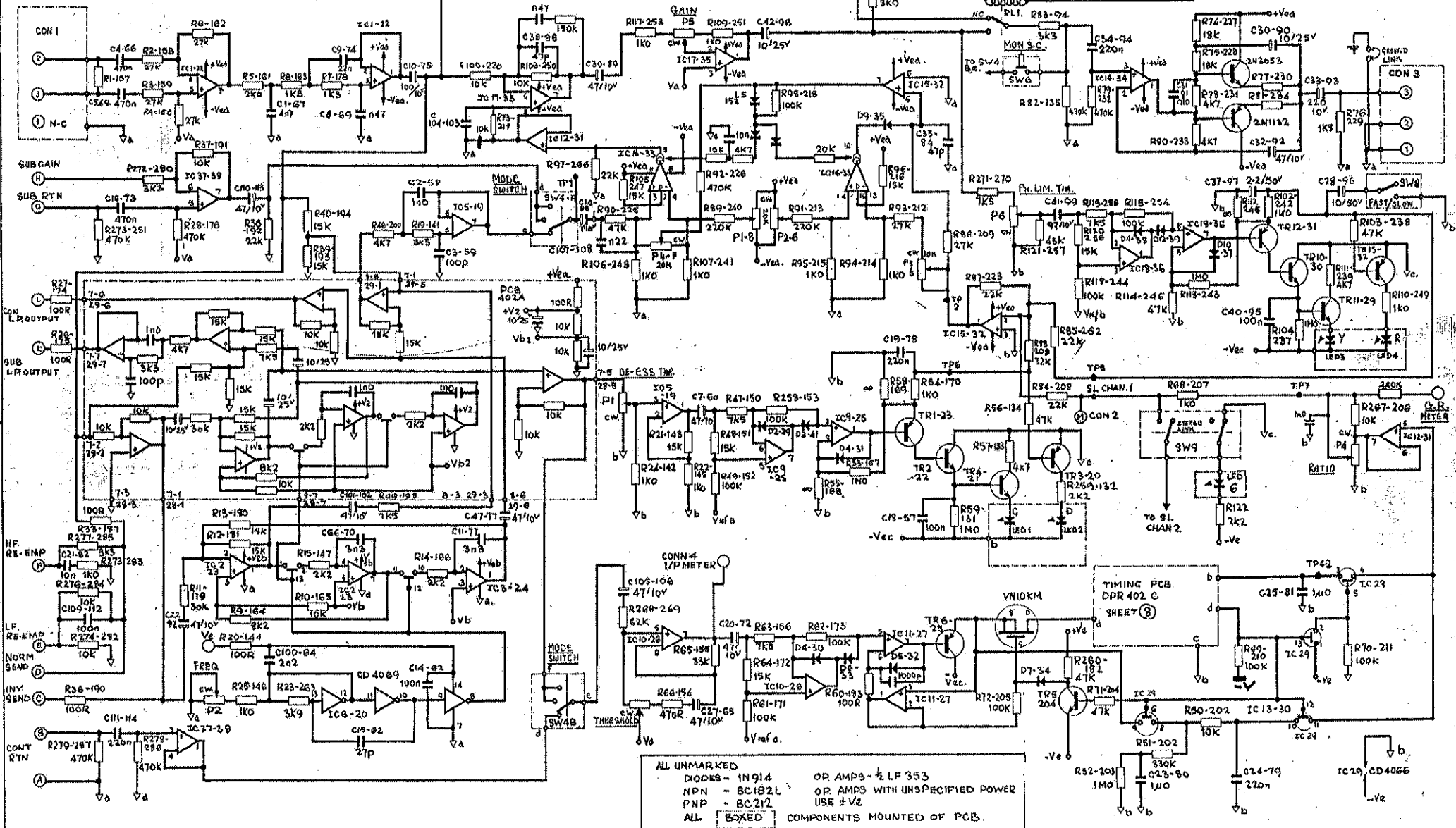
MATERIAL	FINISH

TOLERANCES - UNLESS STATED
UNIT ± 0
0 ± 0
.00 ± 0
.000 ± 0
DIMENSIONS IN

NOTES
CHANNEL 1 SHOWN
CHANNEL 2 IDENTICAL
PCB ISSUE NUMBER 4

SCALE:	© COPYRIGHT	DRAWN BY	DATE
	BSS BROOKE SIREN SYSTEMS	Colby	13 Dec 84
TITLE COMPRESSOR PEAK LIMITER DE-ESSER DPR. 402 MAIN CIRCUIT DIAGRAM		DRAWING NUMBER ISS DPR 402 4	
UNITS FROM SERIAL N° 4800 UPWARDS.		MUSWELL HILL LONDON N10. UK.	

DRAWING NUMBER
SERIAL No. 6A TO 4300
DPR 402



2	Sept 74				
ISSUE DATE	MOD No.	ISSUE DATE	MOD No.	ISSUE DATE	MOD No.

MATERIAL	
FINISH	

TOLERANCES - UNLESS STATED

UNIT ± 0
0 ± 0
.00 ± 0
.000 ± 0

DIMENSIONS IN

NOTES

CHANNEL 1 SHOWN
CHANNEL 2 IDENTICAL

SCALE

DRAWN BY G.M.C.

DATE 25/1/84

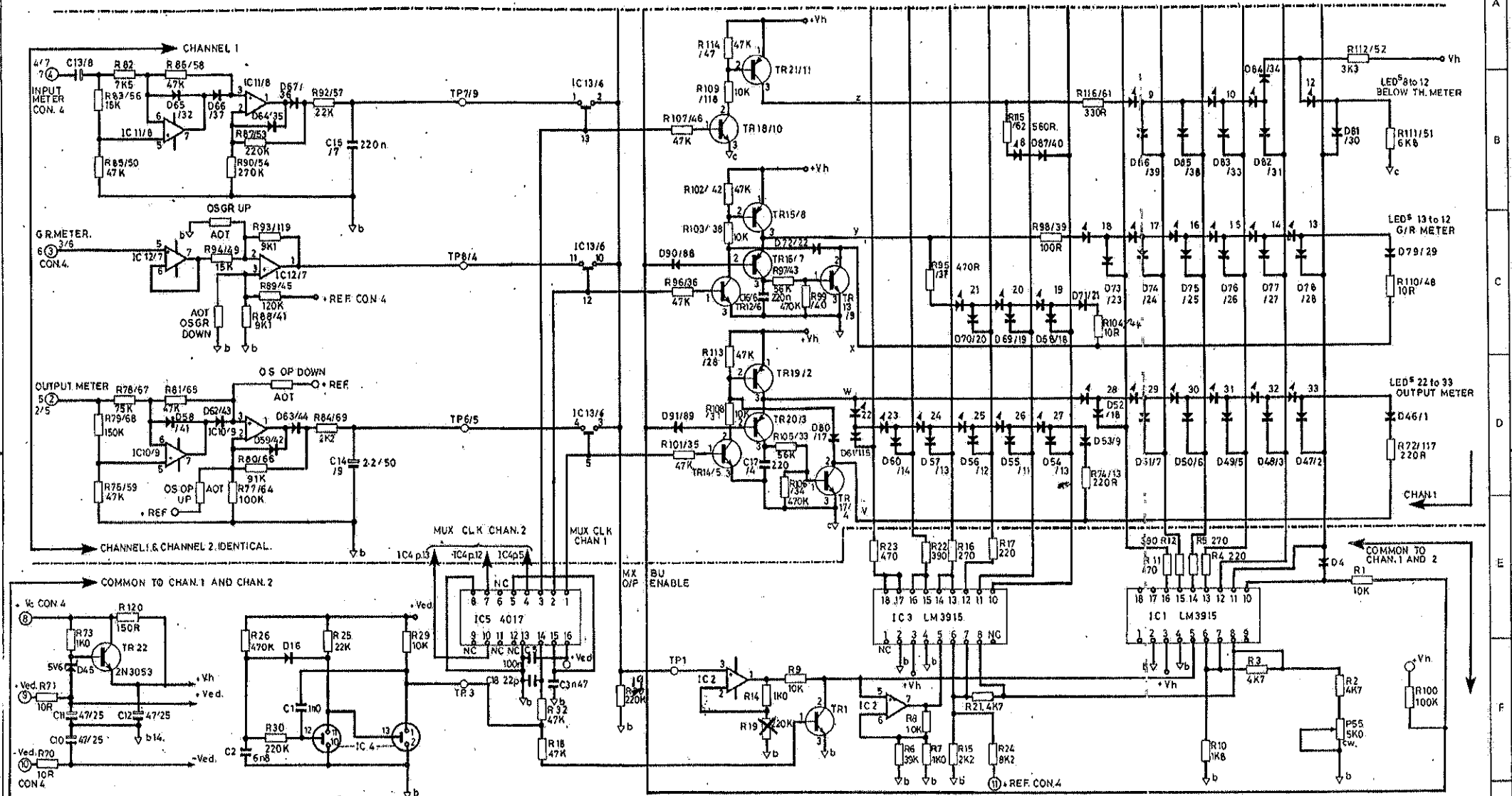
© COPYRIGHT BSS BROOKE SIREN SYSTEMS SYDNEY ROAD HUBBARD HILL LONDON N10

TITLE: COMPRESSOR PEAK LIMITER DE-ESSER DPR 402

DRAWING NUMBER: DPR 402

ISS.

DRAWING NUMBER
DPR 402 B / 4



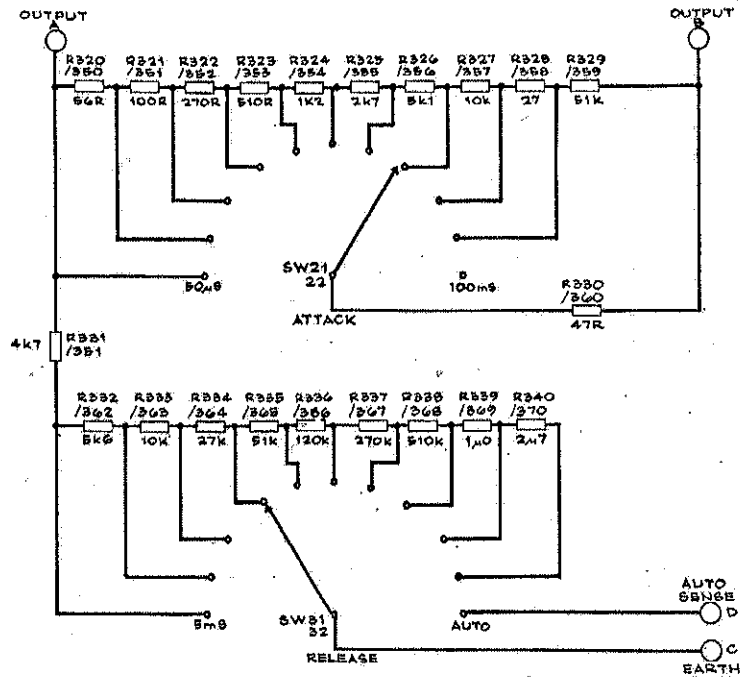
ALL UNMARKED
 - DIODES - 1N4148
 - NPN - BC162
 - PNP - BC212
 OUTPUT AMPS = 1/2 LF 353 POWER FROM ± Vcd
 ANALOGUE SW = 1/2 4066 POWER FROM Vcb

ISSUE	DATE	MOD. No.	ISSUE	DATE	MOD. No.
1	1.7.86	Compliments			
2	12.12.85	Connections			
3	18.12.84				

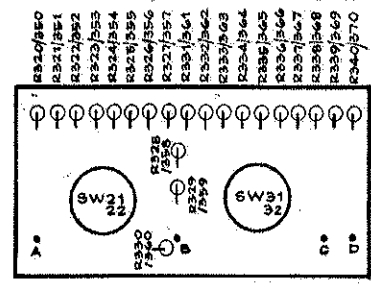
MATERIAL	FINISH	TOLERANCES - UNLESS STATED	UNIT
		± 0	
		0	± 0
		.00	± 0
		.000	± 0
		DIMENSIONS IN	

NOTES
 CHANNEL ONE & TWO IDENTICAL IN PART AS SHOWN
 PCB ISSUE NUMBER 4

SCALE: © COPYRIGHT Telephone 01-444 7892.
BSS BROOKE SIREN SYSTEMS SYDNEY ROAD, MUSWELL HILL, LONDON N10, UK
 TITLE: **DPR. 402 METERING CIRCUIT**
 (COMPRESSOR PEAK LIMITER)
 SERIAL N° 4000 AND UPWARDS
 DRAWN BY: *[Signature]*
 DATE: 26/10/84
 DRAWING NUMBER: **DPR 402 B**
 ISS: 4



RESISTORS R320 TO R340 & SWITCHES SW21 & SW31
ARE CHANNEL 1.
RESISTORS R350 TO R370 & SWITCHES SW22 & SW32
ARE CHANNEL 2.



No.	DESCRIPTION	CHK'D	APP'D	DATE
	ALTERATIONS			

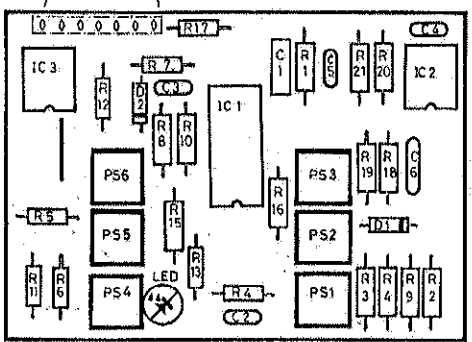
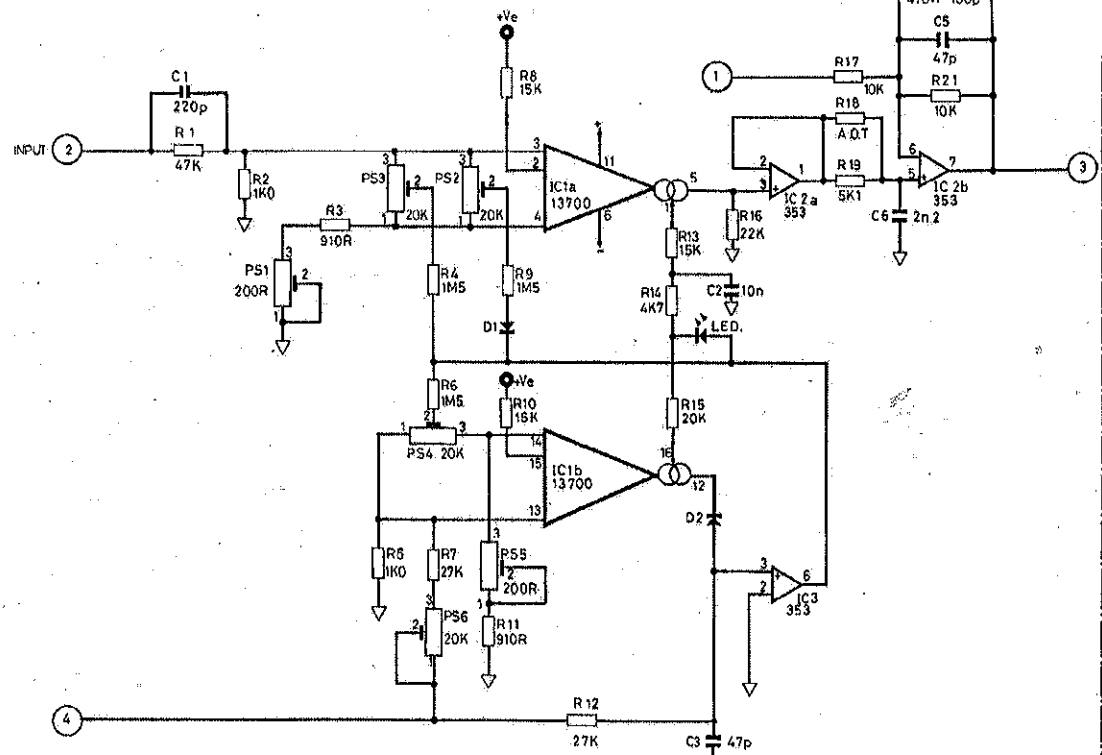
DPR 402 TIMING PCB 402C CIRCUIT DIAGRAM & OVERLAY.

DRAWN Robbie	TRACED	CHECKED	APPROVED	DATE 30 th September 84.	SCALE
-----------------	--------	---------	----------	---	-------

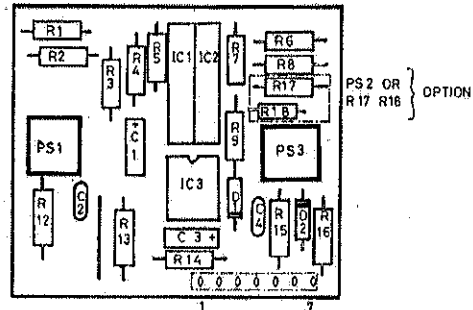
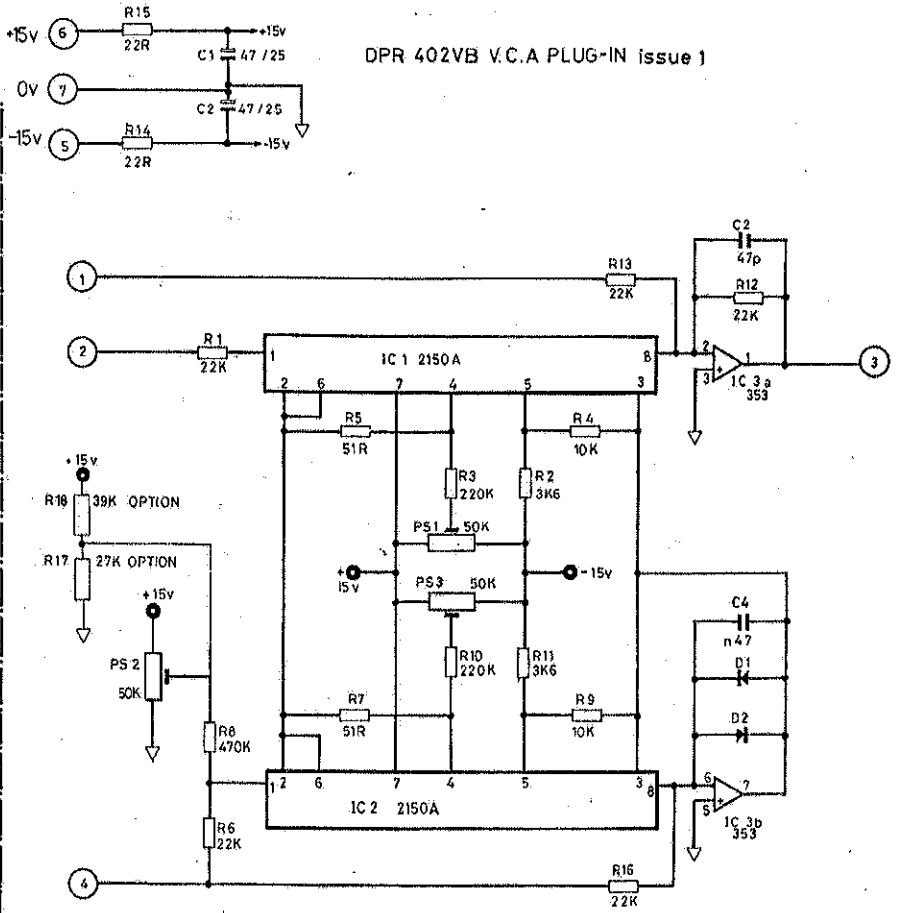
DRAWING No.

DRAWING NUMBER

DPR 402A V.C.A. PLUG-IN issue 1.



DPR 402VB V.C.A PLUG-IN issue 1



ISSUE	DATE	MOD. No.	ISSUE	DATE	MOD. No.

MATERIAL	
FINISH	

TOLERANCES - UNLESS STATED	UNIT ± 0
	0 ± 0
	.00 ± 0
	.000 ± 0
DIMENSIONS IN	

NOTES

SCALE:	© COPYRIGHT	Telephone 01-444 7892
	BROOKE SIREN SYSTEMS LTD.	SYDNEY ROAD MUSWELL HILL LONDON N10.
TITLE	DPR 402A DPR 402VB V.C.A	DRAWING NUMBER
	CIRCUIT DIAGRAM and OVERLAY	ISS
DRAWN BY		
DATE		
