

DRAWING NUMBER ISSUE

S-B260CS-04

BSS HARMAN INTERNATIONAL INDUSTRIES LIMITED
 CRANBORNE HOUSE
 CRANBORNE ROAD
 POTTERS BAR
 HERTS
 EN6 3JN
 BSS Audio. Tel 01707 660667
 Fax 01707 660755

TITLE:
 JBL C260 SIGNAL PROCESSOR

SHEET 1

FILENAME: S-B260CS-04.SCH

DRAWN: MGW

DATE: 2/6/99

CHECKED:

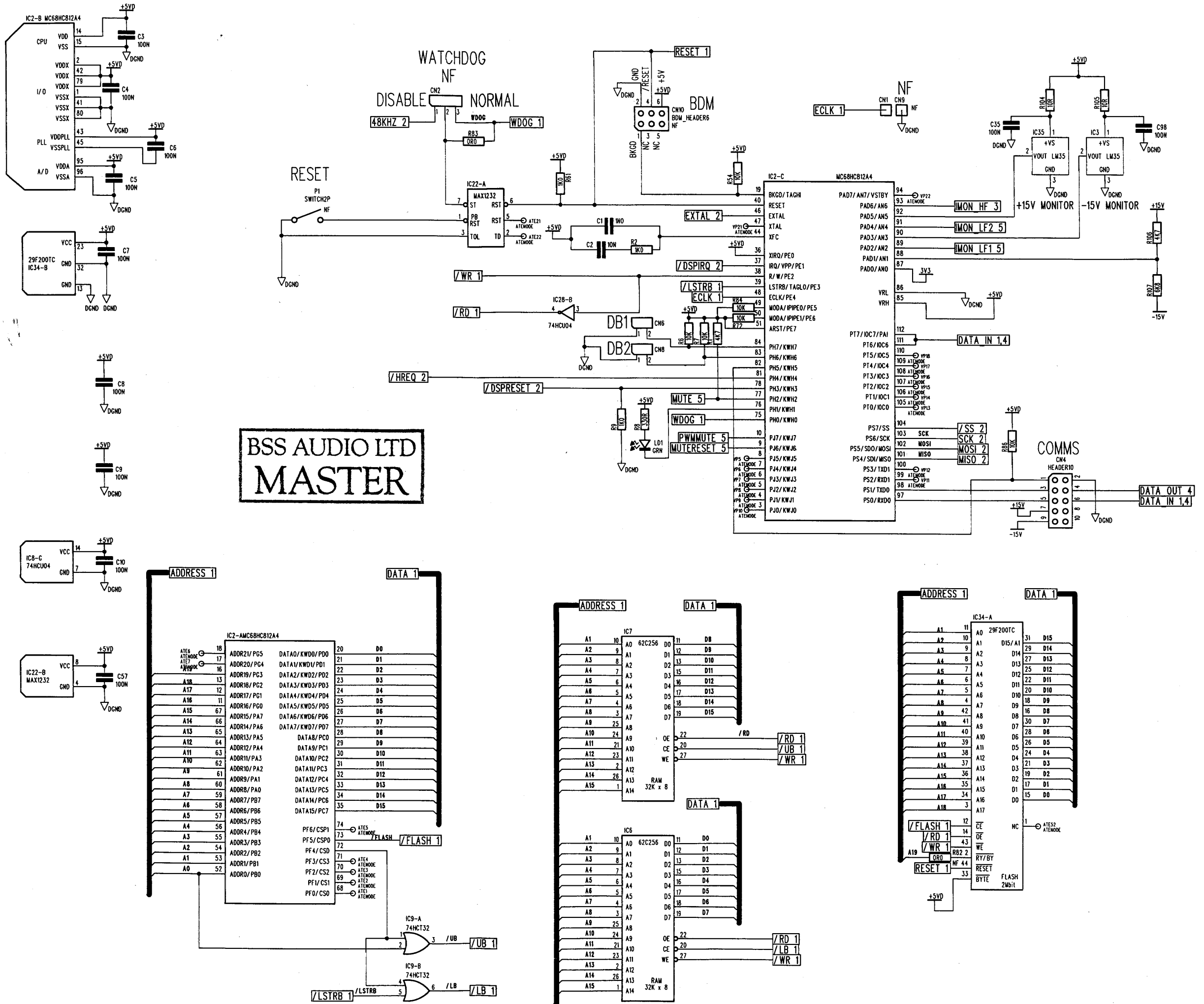
MATERIAL:

FINISH:

ISSUE COMMENTS:

1. PRODUCTION RELEASE
2. ECN0341 26/04/00
3. ECN0366 05/09/00
4. ECN0380 06/10/00

THIS DRAWING IS THE COPYRIGHT OF BSS Audio Ltd. ALL REPRODUCTION AND COPYING, OTHER THAN THAT FOR LICENCED MANUFACTURERS OWN INTERNAL USE, OR DISCLOSURE OF PART OR WHOLE TO A THIRD PARTY WITHOUT PRIOR WRITTEN AUTHORISATION IS IN VIOLATION OF THE COPYRIGHT.
 © BSS Audio Ltd 1994



**BSS AUDIO LTD
 MASTER**

DRAWING NUMBER ISSUE

S-B260CS-04

HARMAN INTERNATIONAL INDUSTRIES LIMITED
CRANBORNE HOUSE
CRANBORNE ROAD
POTTERS BAR
HERTS
EN6 3JN

BSS Audio. Tel 01707 660667 Fax 01707 660755

TITLE: JBL C260 SIGNAL PROCESSOR
SHEET 2

FILENAME: S-B260CS-04.SCH

DRAWN: MGW

DATE: 2/6/99

CHECKED: *[Signature]*

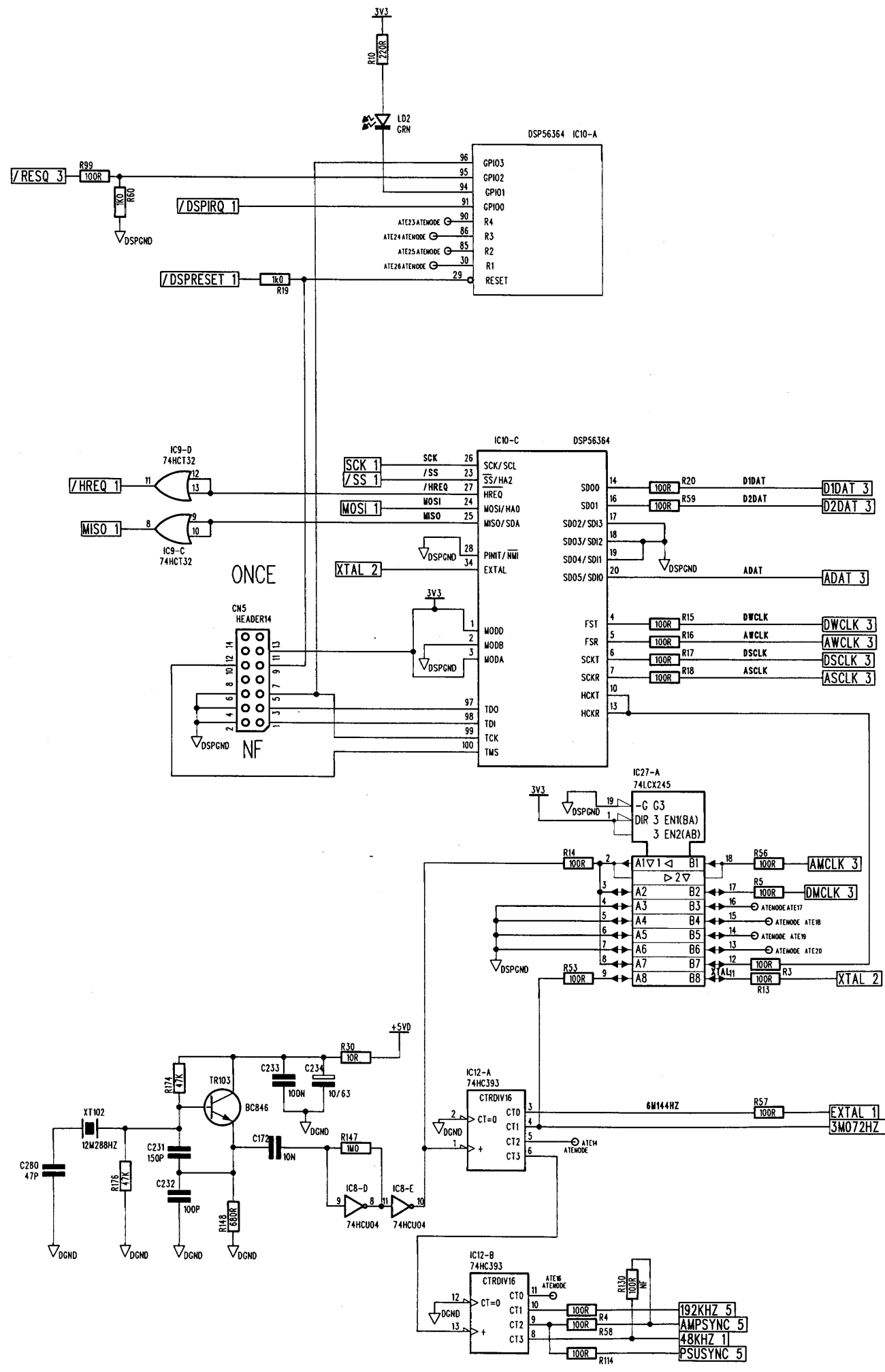
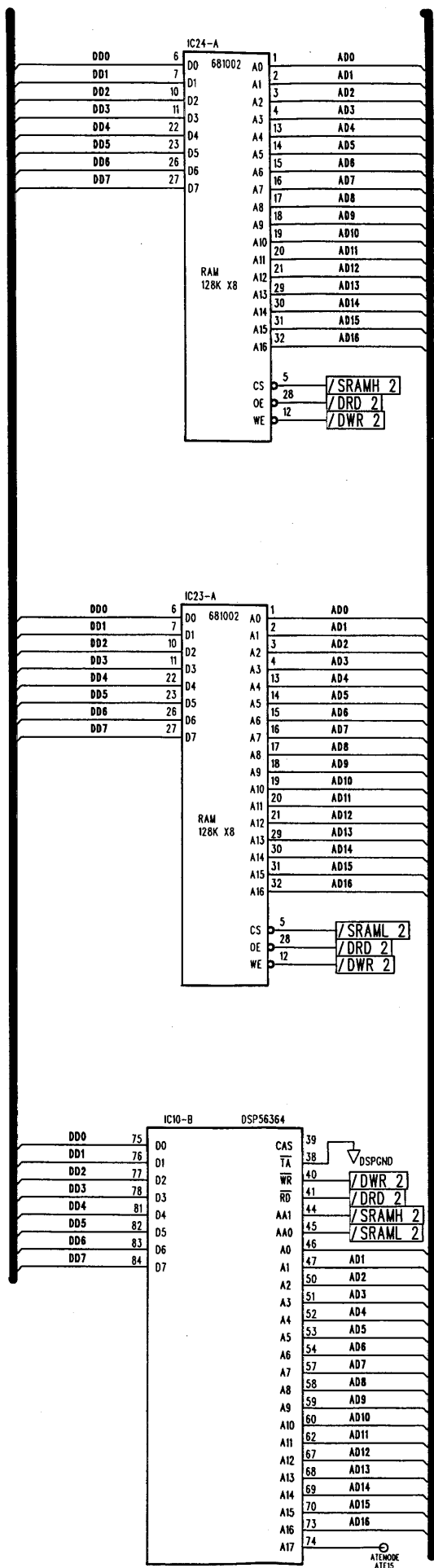
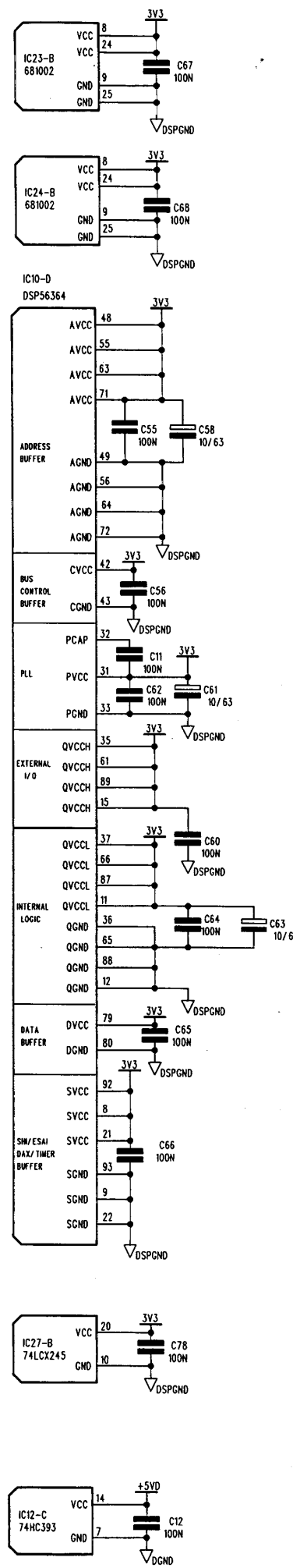
MATERIAL:

FINISH:

ISSUE COMMENTS:

**BSS AUDIO LTD
MASTER**

THIS DRAWING IS THE COPYRIGHT OF BSS Audio Ltd. ALL REPRODUCTION AND COPYING, OTHER THAN THAT FOR LICENCED MANUFACTURERS OWN INTERNAL USE, OR DISCLOSURE OF PART OR WHOLE TO A THIRD PARTY WITHOUT PRIOR WRITTEN AUTHORISATION IS IN VIOLATION OF THE COPYRIGHT. © BSS Audio Ltd 1994



DRAWING NUMBER ISSUE

S-B260CS-04

BSS HARMAN INTERNATIONAL INDUSTRIES LIMITED
 CRANBORNE HOUSE
 CRANBORNE ROAD
 POTTERS BAR
 HERTS
 EN6 3JN
 BSS Audio. Tel 01707 660667 Fax 01707 660755

TITLE: JBL C260 SIGNAL PROCESSOR
SHEET 3

FILENAME: S-B260CS-04.SCH

DRAWN: MGW

DATE: 2/6/99

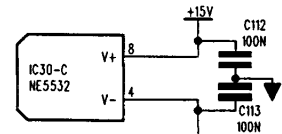
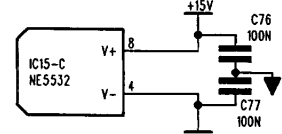
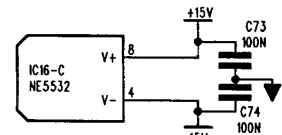
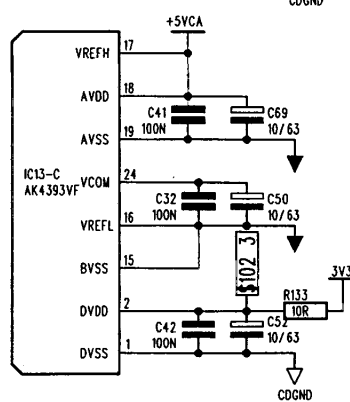
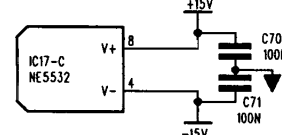
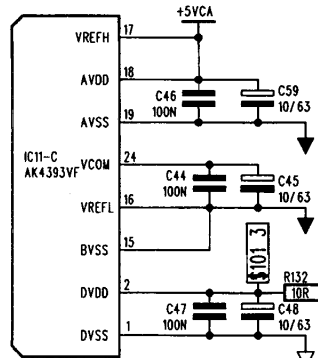
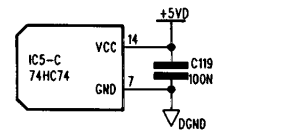
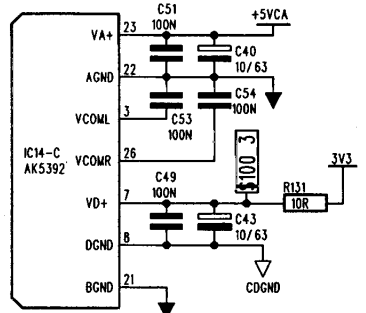
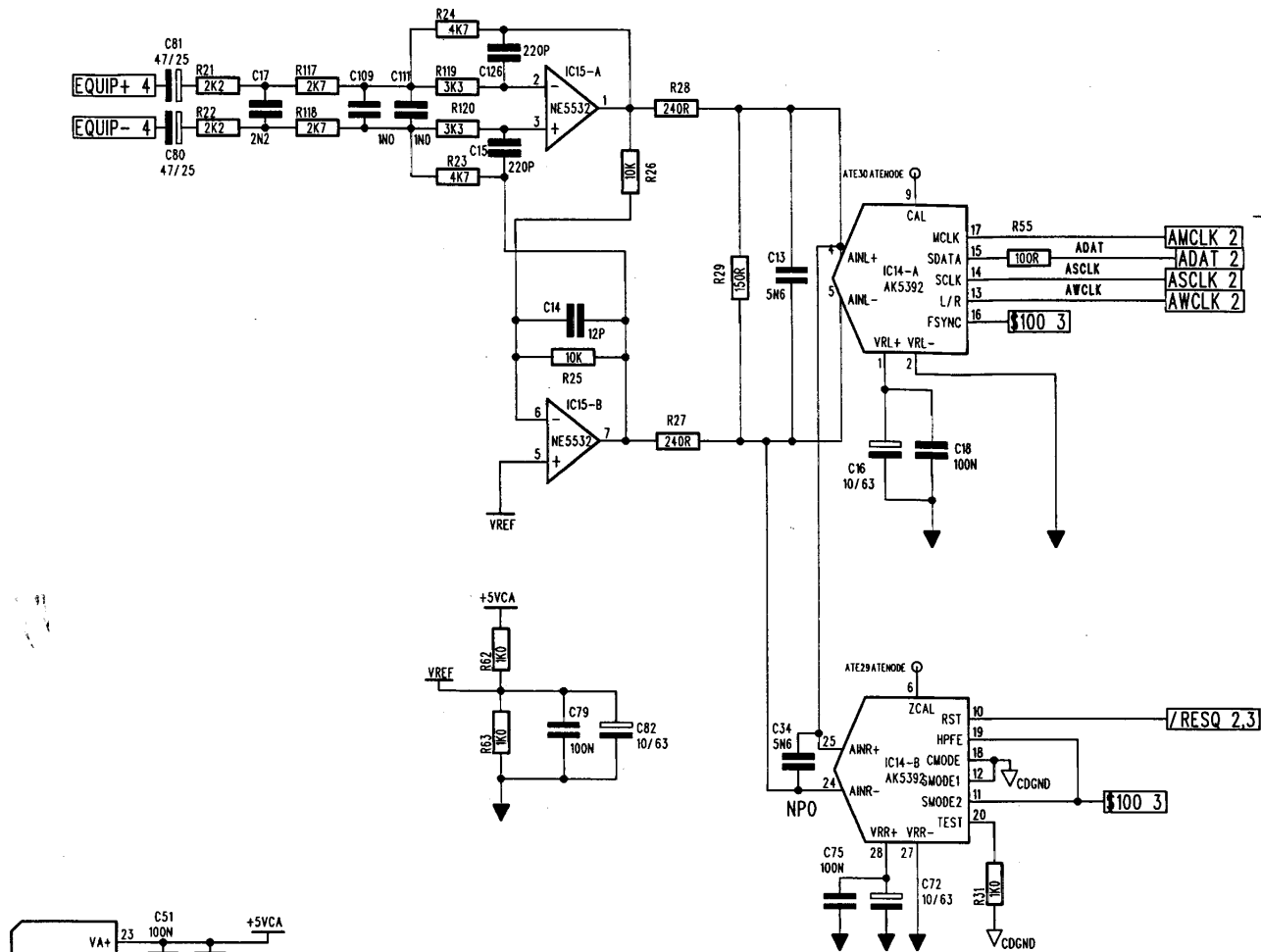
CHECKED: *[Signature]*

MATERIAL:

FINISH:

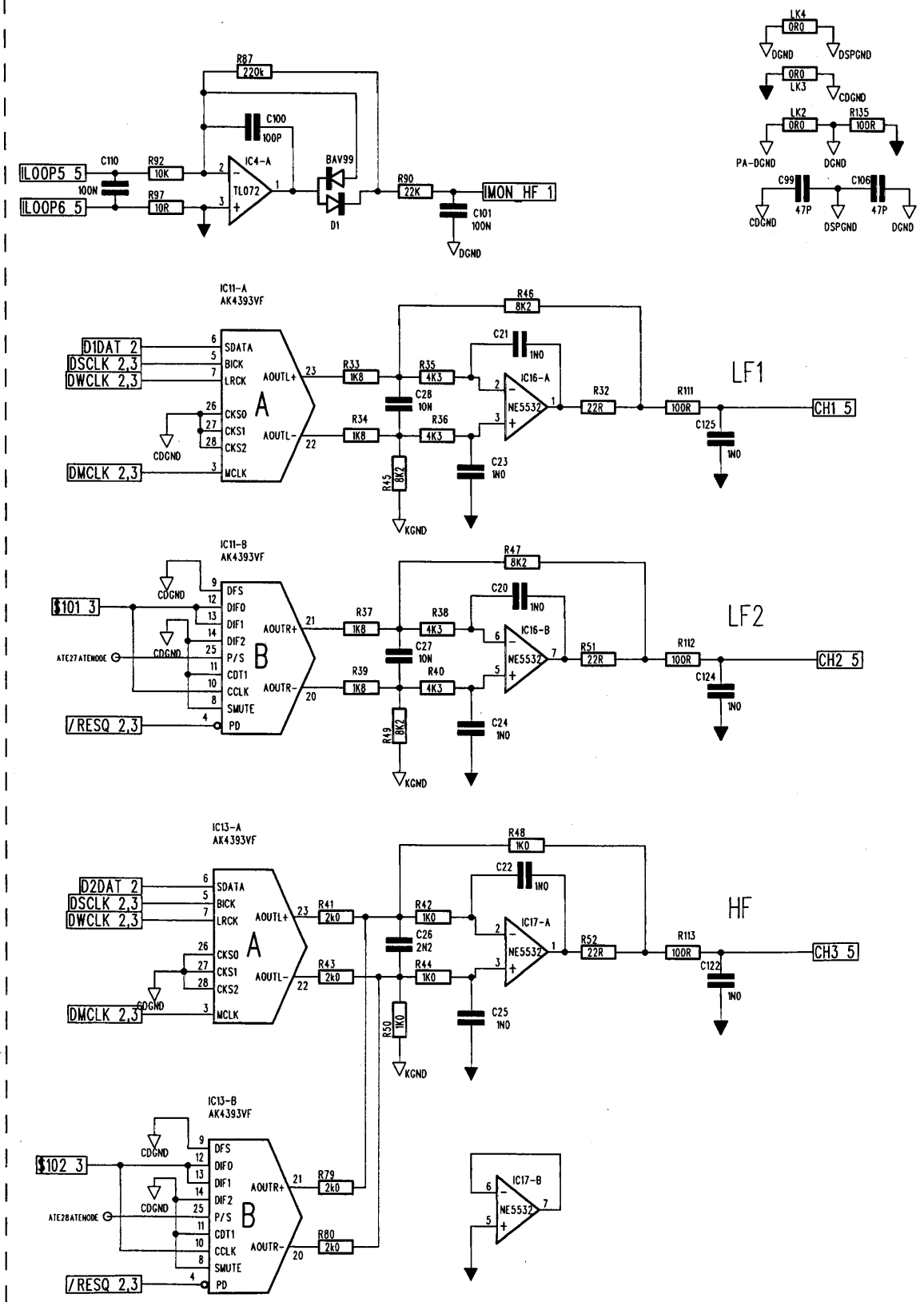
ISSUE COMMENTS:

THIS DRAWING IS THE COPYRIGHT OF BSS Audio Ltd. ALL REPRODUCTION AND COPYING, OTHER THAN THAT FOR LICENCED MANUFACTURERS OWN INTERNAL USE, OR DISCLOSURE OF PART OR WHOLE TO A THIRD PARTY WITHOUT PRIOR WRITTEN AUTHORISATION IS IN VIOLATION OF THE COPYRIGHT. © BSS Audio Ltd 1994



BSS AUDIO LTD
MASTER

SIGNAL PROCESSOR





TITLE: JBL B260 SIGNAL PROCESSOR

FILENAME: S-B260SC-04.SCH

DRAWN BY: MGW

DATE: 2/6/99

CHECKED: *[Signature]*

LAYERS: SHEET 4

ISSUE DETAILS

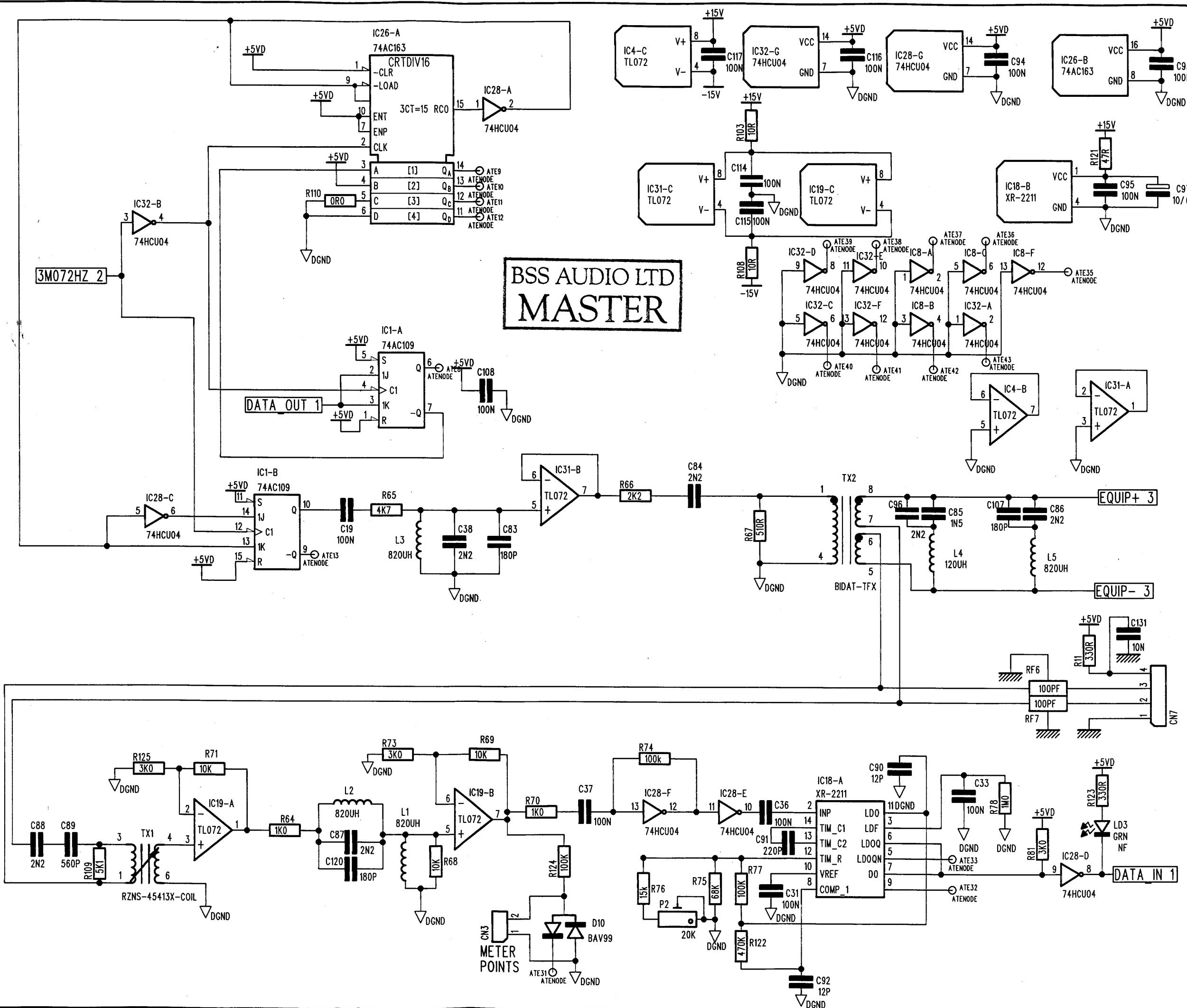
DIMENSIONS:

MATERIALS:

FINISH:

ARTWORK:

NOTES



BSS AUDIO LTD MASTER

DRAWING NUMBER ISSUE
S-B260CS-04

BSS HARMAN INTERNATIONAL INDUSTRIES LIMITED
 CRANBORNE HOUSE
 CRANBORNE ROAD
 POTTERS BAR
 HERTS
 EN6 3JN
 BSS Audio Tel 01707 660667
 Fax 01707 660755

TITLE:
JBL C260 SIGNAL PROCESSOR
 SHEET 5

FILENAME: **S-B260CS-04.SCH**

DRAWN: **MGW**

DATE: **2/6/99**

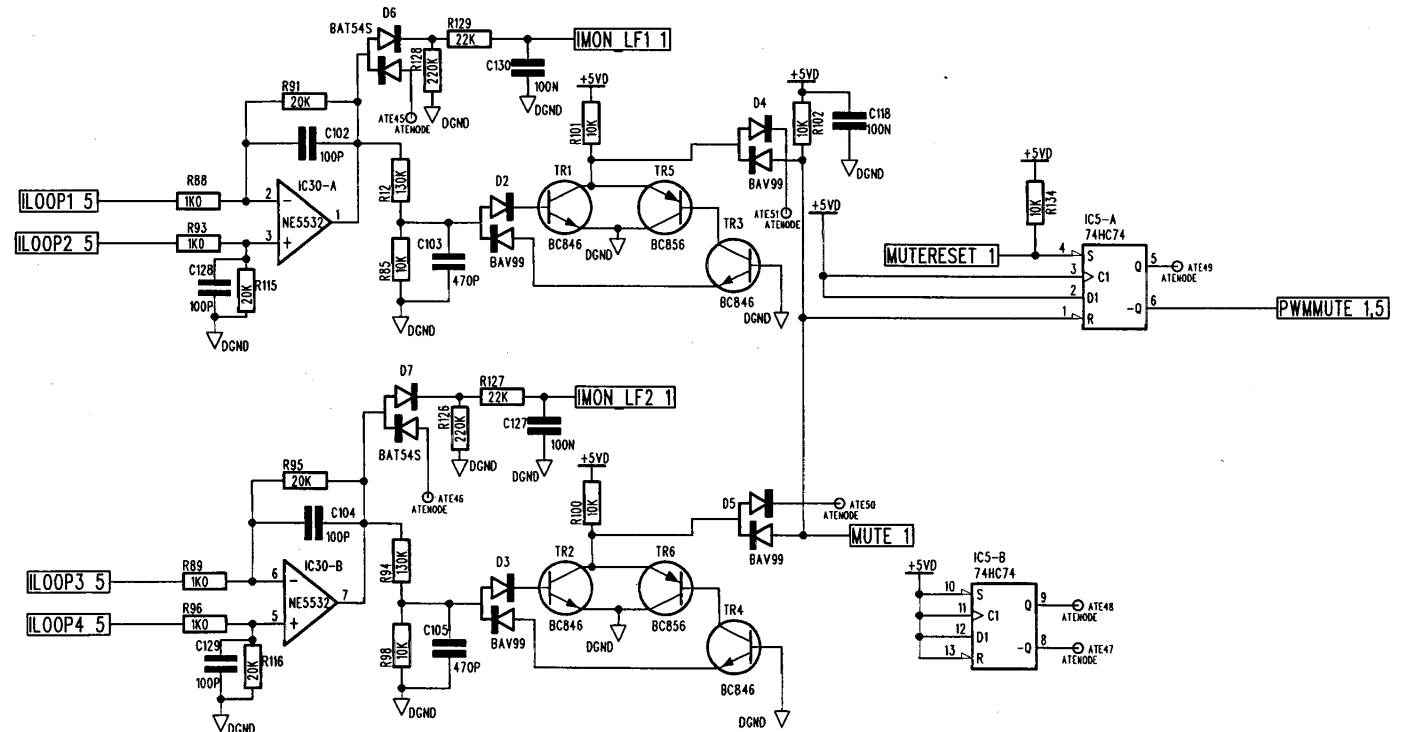
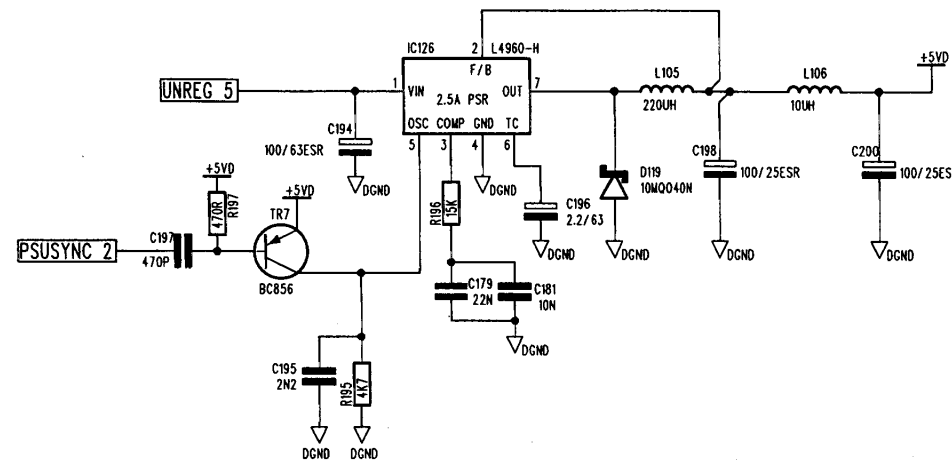
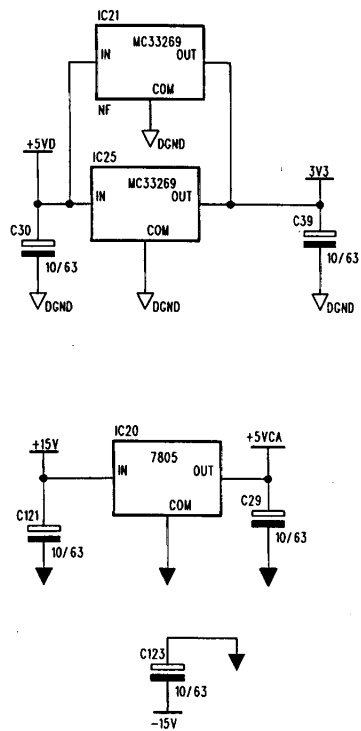
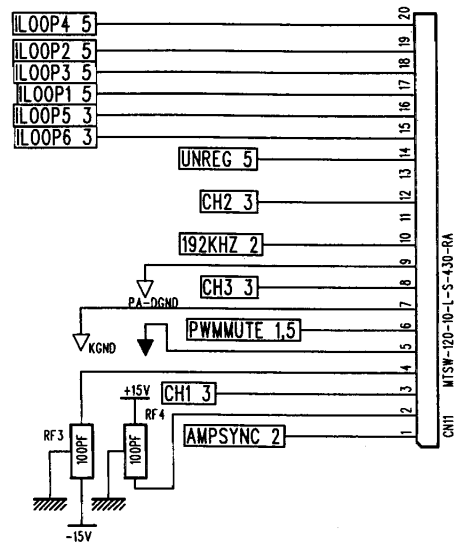
CHECKED: *[Signature]*

MATERIAL:

FINISH:

ISSUE COMMENTS:

TO POWER AMP BOARD



BSS AUDIO LTD
MASTER

THIS DRAWING IS THE COPYRIGHT OF BSS Audio Ltd. ALL REPRODUCTION AND COPYING, OTHER THAN THAT FOR LICENCED MANUFACTURES OWN INTERNAL USE, OR DISCLOSURE OF PART OR WHOLE TO A THIRD PARTY WITHOUT PRIOR WRITTEN AUTHORISATION IS IN VIOLATION OF THE COPYRIGHT. © BSS Audio Ltd 1994