

SCHEMATIC NUMBER      ISSUE

# 310S-132



UNIT 5, MERLIN CENTRE  
 ACREWOOD WAY,  
 ST. ALBANS  
 HERTS. AL4 0JY  
 ENGLAND  
 Phone 0727 45242  
 Fax 0727 45277

**BSS Audio Ltd.**

TITLE      FDS-310 INPUT STAGES AND PSU

FILENAME      310\310S-132

DRAWN      PJW/NOJ

DATE      07/04/92

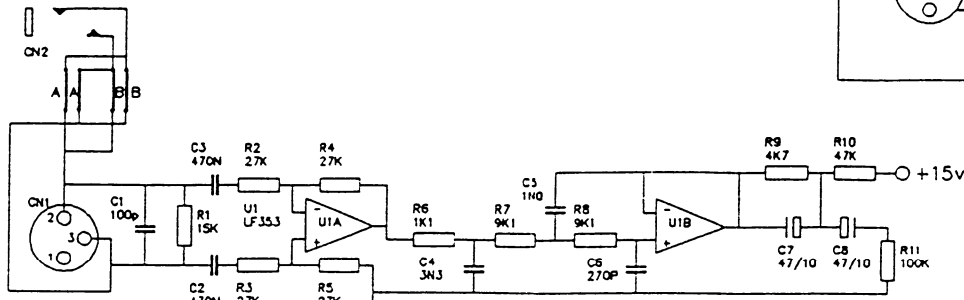
CHECKED      -

THIS IS PAGE 1 OF 3 PAGE(S)

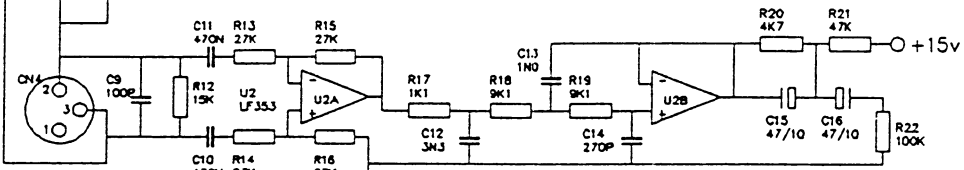
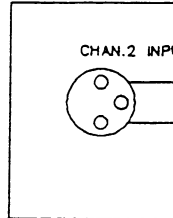
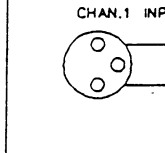
ISSUE COMMENTS

07/04/92 DRAWING RAISED TO ISSUE 2 IN LINE WITH  
 310S-232 NO MODIFICATIONS

INPUT XLR TO PHONEJACK LINKING  
 "A" LINKS PIN 3 TO TIP, AND PIN 2 TO RING  
 "B" LINKS PIN 3 TO RING AND PIN 2 TO TIP

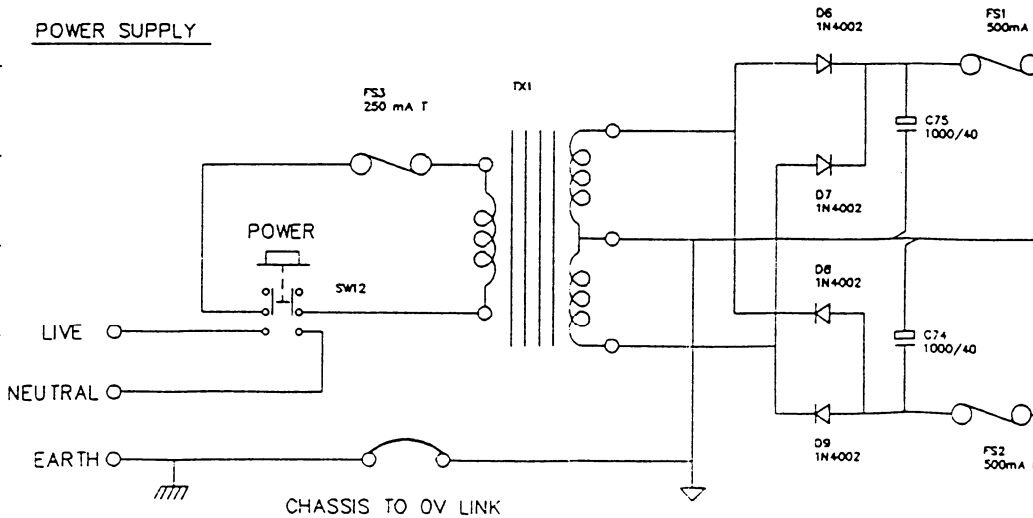


CHANNEL 1 INPUT STAGE

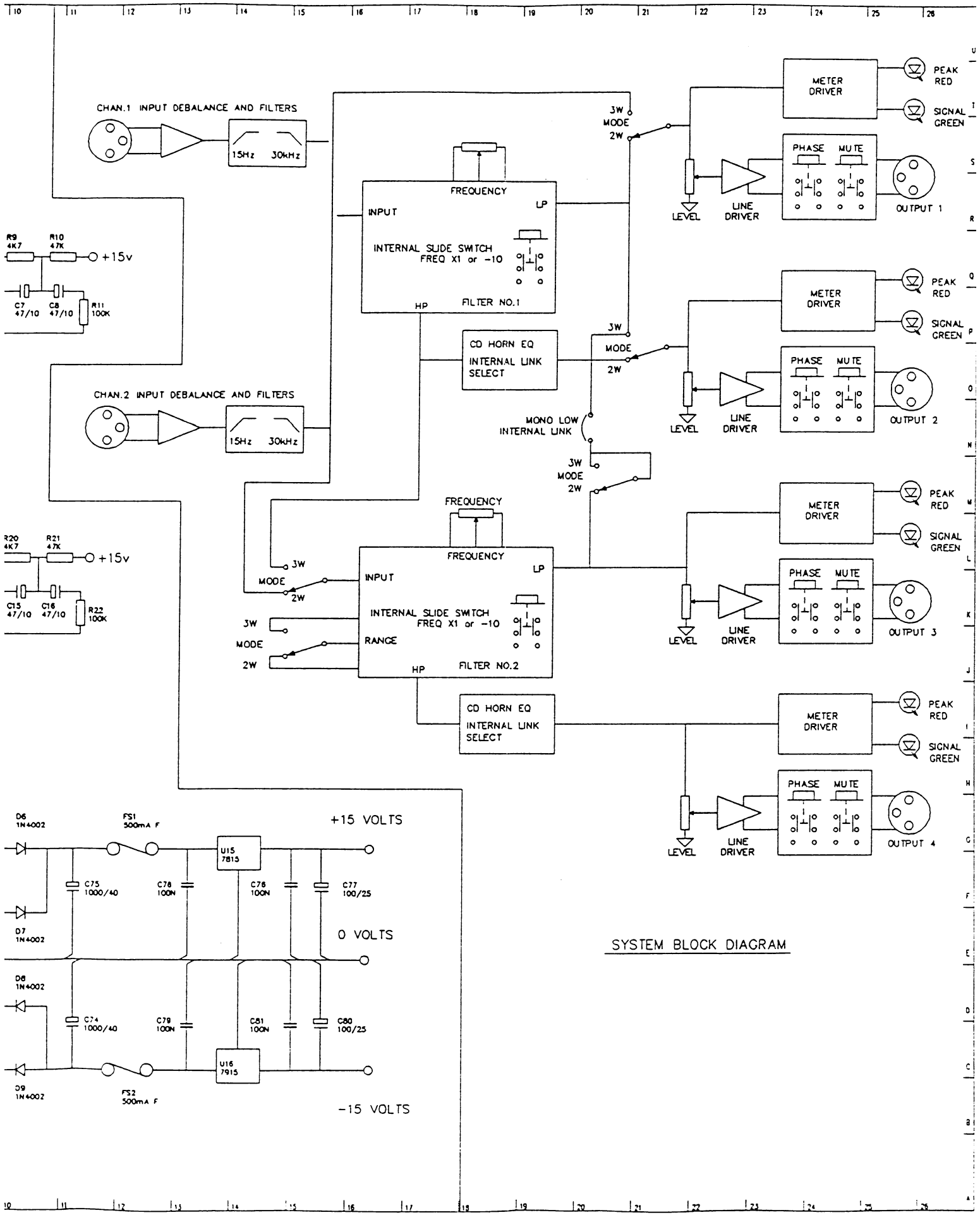


CHANNEL 2 INPUT STAGE

POWER SUPPLY



THIS DRAWING IS THE COPYRIGHT OF BSS Audio Ltd. ALL REPRODUCTION AND COPYING, OTHER THAN THAT FOR LICENCED MANUFACTURERS OWN INTERNAL USE, OR DISCLOSURE OF PART OR WHOLE TO A THIRD PARTY WITHOUT PRIOR WRITTEN AUTHORISATION IS IN VIOLATION OF THE COPYRIGHT.  
 © BSS Audio Ltd. 1991, 1992



SYSTEM BLOCK DIAGRAM

# 310S-232



UNIT 5, MERLIN CENTRE  
ACREWOOD WAY,  
ST. ALBANS  
HERTS. AL4 0JY  
ENGLAND  
Phone 0727 45242  
Fax 0727 45277

TITLE FDS-310 MAIN CIRCUIT BLOCK

FILENAME 310/310S-232

DRAWN PJW/NOJ

DATE 07/04/92

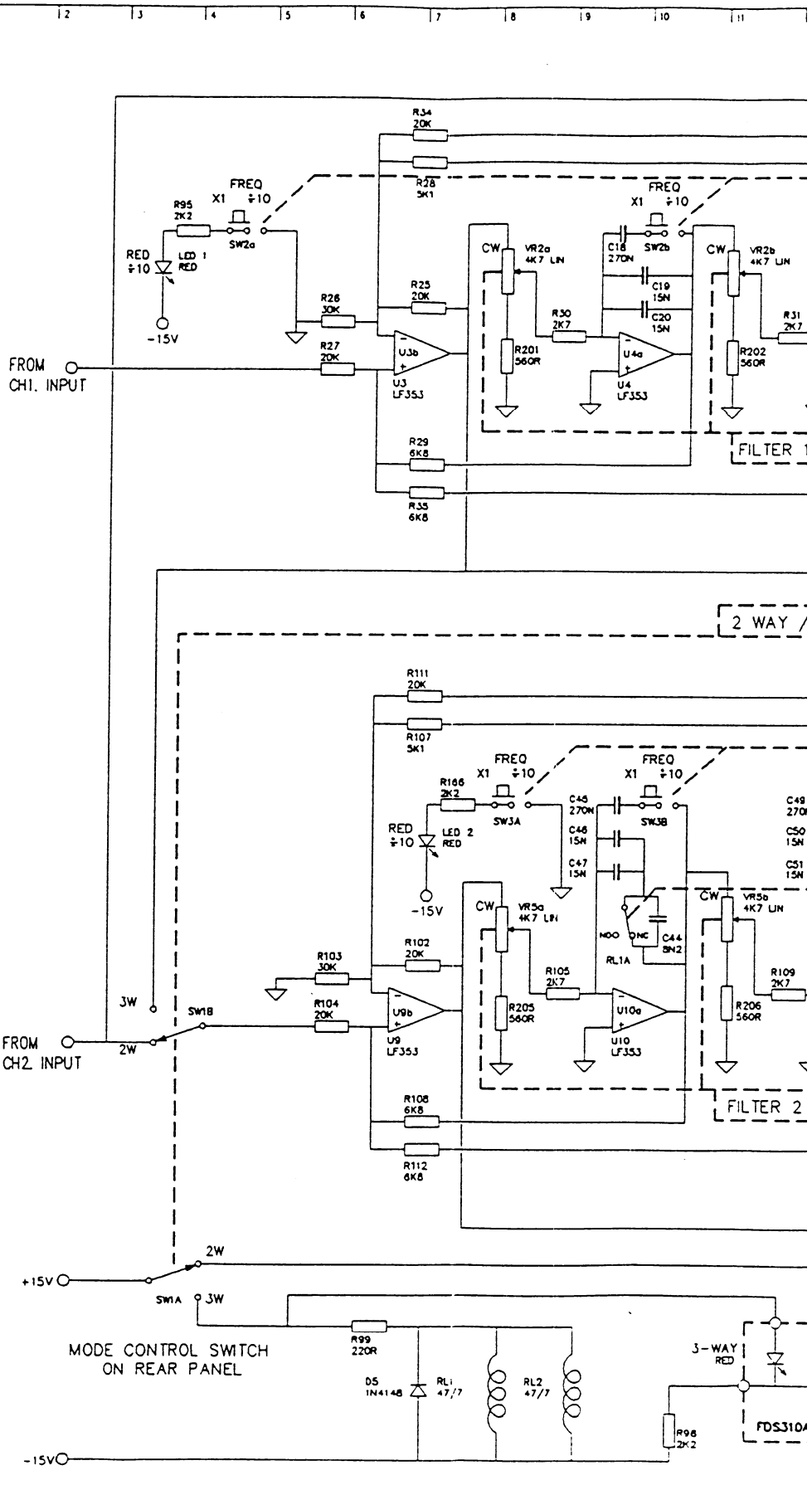
CHECKED -

THIS IS PAGE 2 OF 3 PAGE(S)

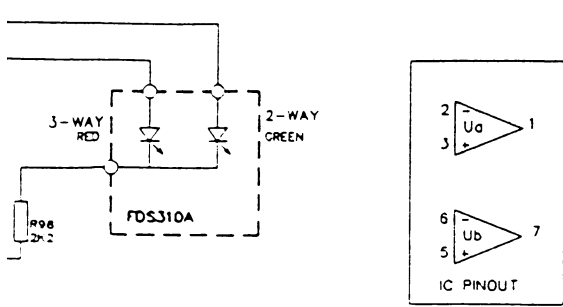
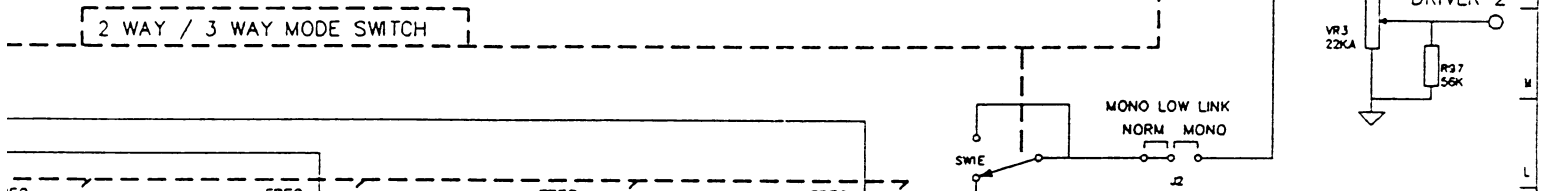
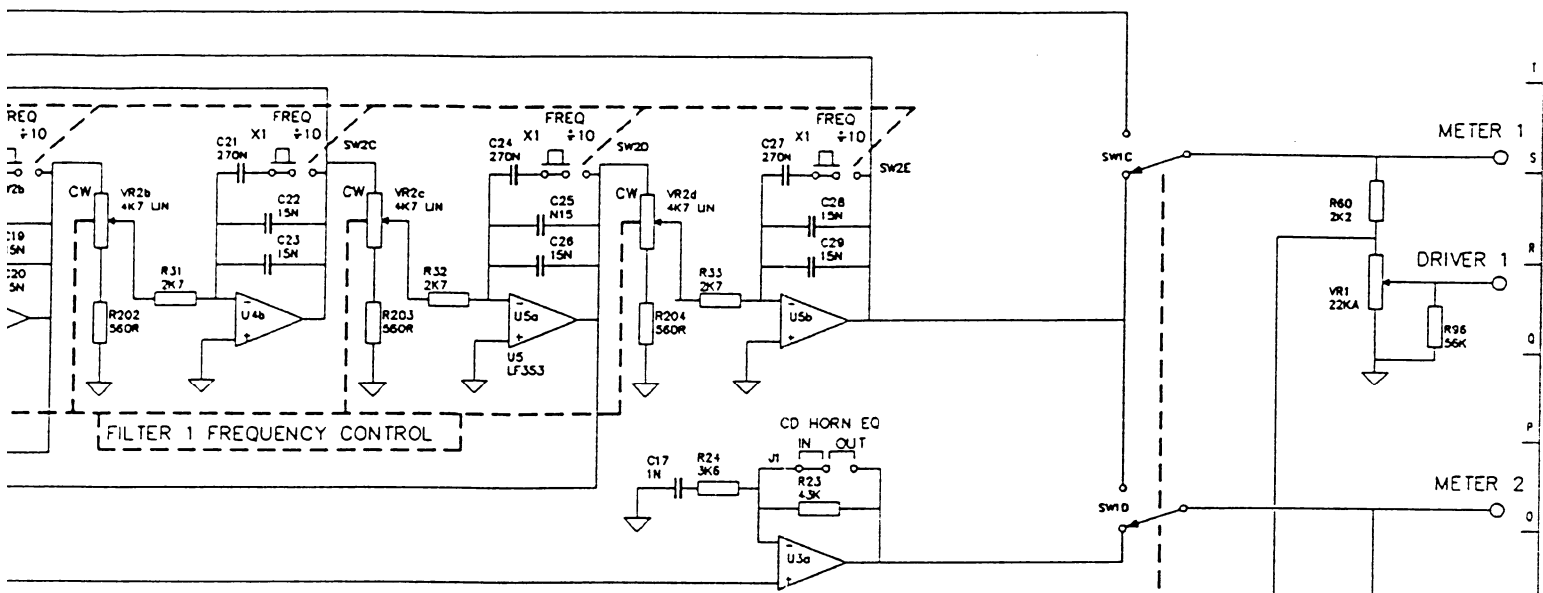
ISSUE COMMENTS

07/06/92 - MODIFICATIONS -  
FREQUENCY CONTROL POTS CHANGED TO LINEAR  
SPECIFICATION, CIRCUIT MODS AS FOLLOWS:  
CHANGED CONNECTIONS:  
VR2a, VR2b, VR2c AND VR2d ALSO VR5a, VR5b, VR5c  
AND VR5d,  
ADDITIONAL COMPONENTS:  
R201, R202, R203, R204, R205, R206, R207 AND  
R208  
CHANGED VALUE:  
R30, R31, R32, R33, R105, R109, R110, R113.  
C18, C19, C21, C22, C24, C25, C27, C28, C44, C45,  
C46, C48, C49, C50, C52, C53, C54, C56, C57, C58.  
COMPONENTS DELETED  
NONE

ISSUE RAISED TO ISSUE 2



THIS DRAWING IS THE COPYRIGHT OF BSS Audio Ltd. ALL REPRODUCTION AND COPYING, OTHER THAN THAT FOR LICENCED MANUFACTURERS OWN INTERNAL USE, OR DISCLOSURE OF PART OR WHOLE TO A THIRD PARTY WITHOUT PRIOR WRITTEN AUTHORISATION IS IN VIOLATION OF THE COPYRIGHT.  
© BSS Audio Ltd. 1991, 1992



SCHEMATIC NUMBER ISSUE

# 310S-332



UNIT 5, MERLIN CENTRE  
ACREWOOD WAY,  
ST. ALBANS  
HERTS. AL4 0JY  
ENGLAND  
Phone 0727 45242  
Fax 0727 45277

**BSS Audio Ltd.**

TITLE FDS-310 METERING AND LINE DRIVERS

FILENAME 310\310S-332

DRAWN PJW\NOJ

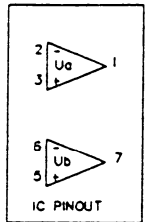
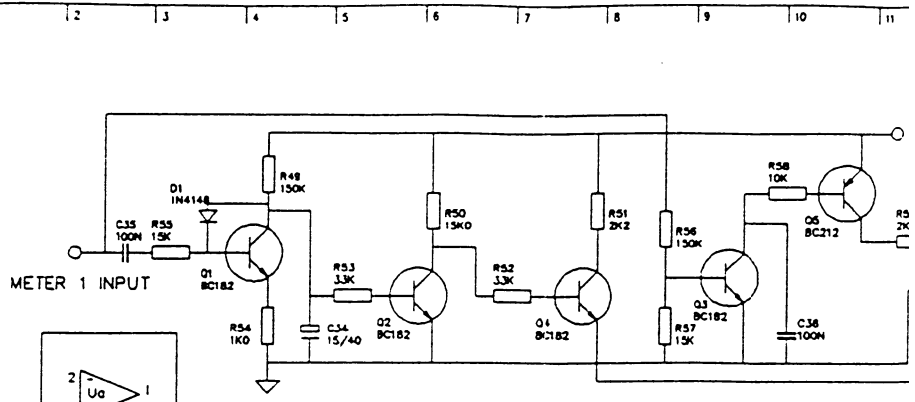
DATE 07/04/92

CHECKED -

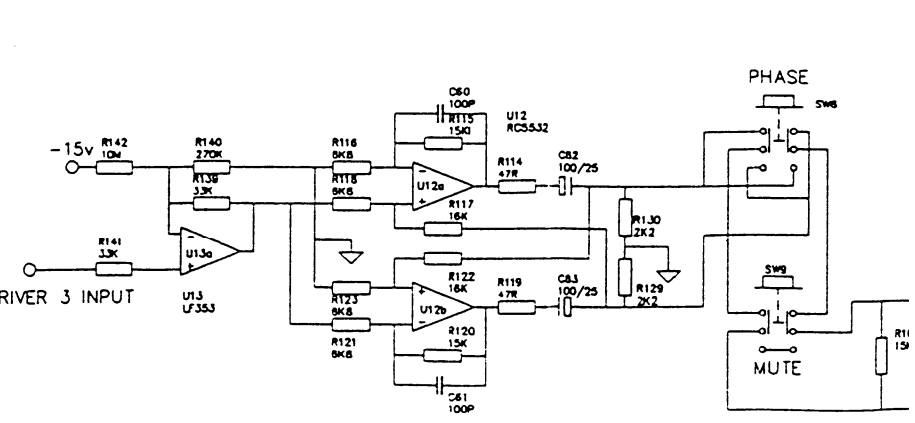
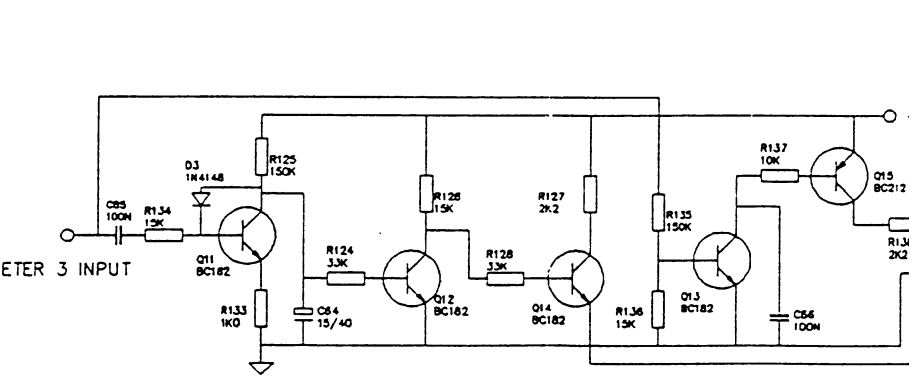
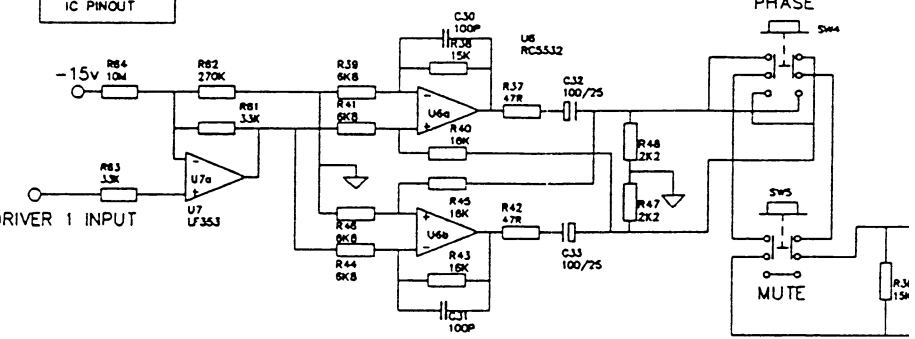
THIS IS PAGE 3 OF 3 PAGE(S)

ISSUE COMMENTS

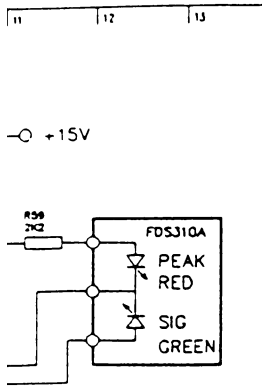
07/04/92 DRAWING RAISED TO ISSUE 2 INLINE WITH 310S-232, NO MODIFICATIONS.



OUTPUT XLR TO PHONE.  
"A" LINKS PIN 3 TO TIP  
"B" LINKS PIN 2 TO TIP



THIS DRAWING IS THE COPYRIGHT OF BSS Audio Ltd. ALL REPRODUCTION AND COPYING, OTHER THAN THAT FOR LICENCED MANUFACTURERS OWN INTERNAL USE, OR DISCLOSURE OF PART OR WHOLE TO A THIRD PARTY WITHOUT PRIOR WRITTEN AUTHORISATION IS IN VIOLATION OF THE COPYRIGHT. © BSS Audio Ltd. 1991, 1992



JNEJACK LINKING  
TIP, AND PIN 2 TO RING  
TIP, AND PIN 3 TO RING

