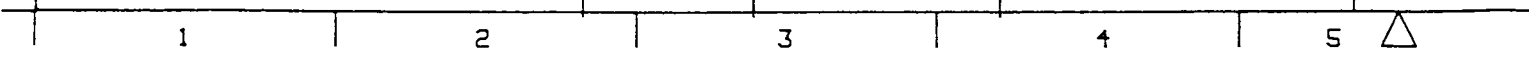
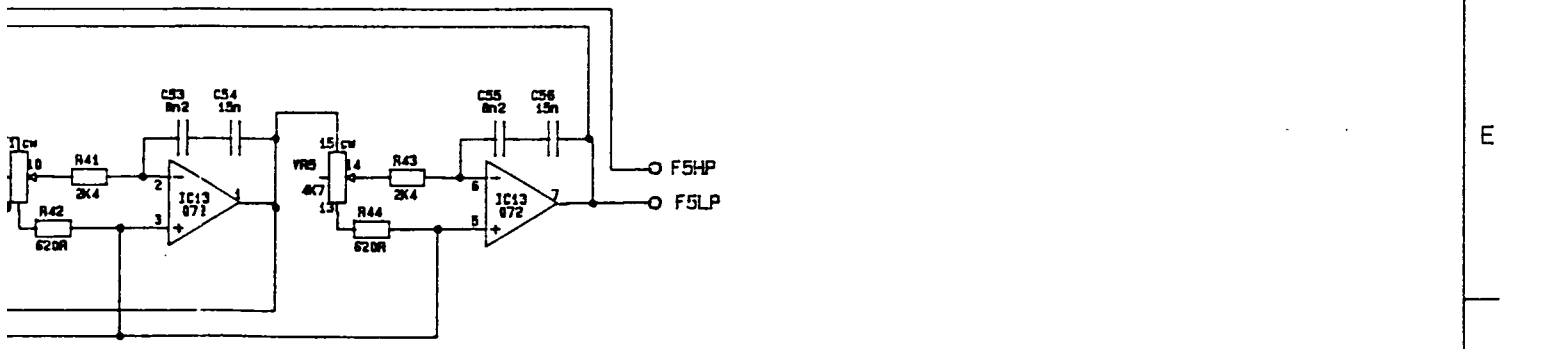
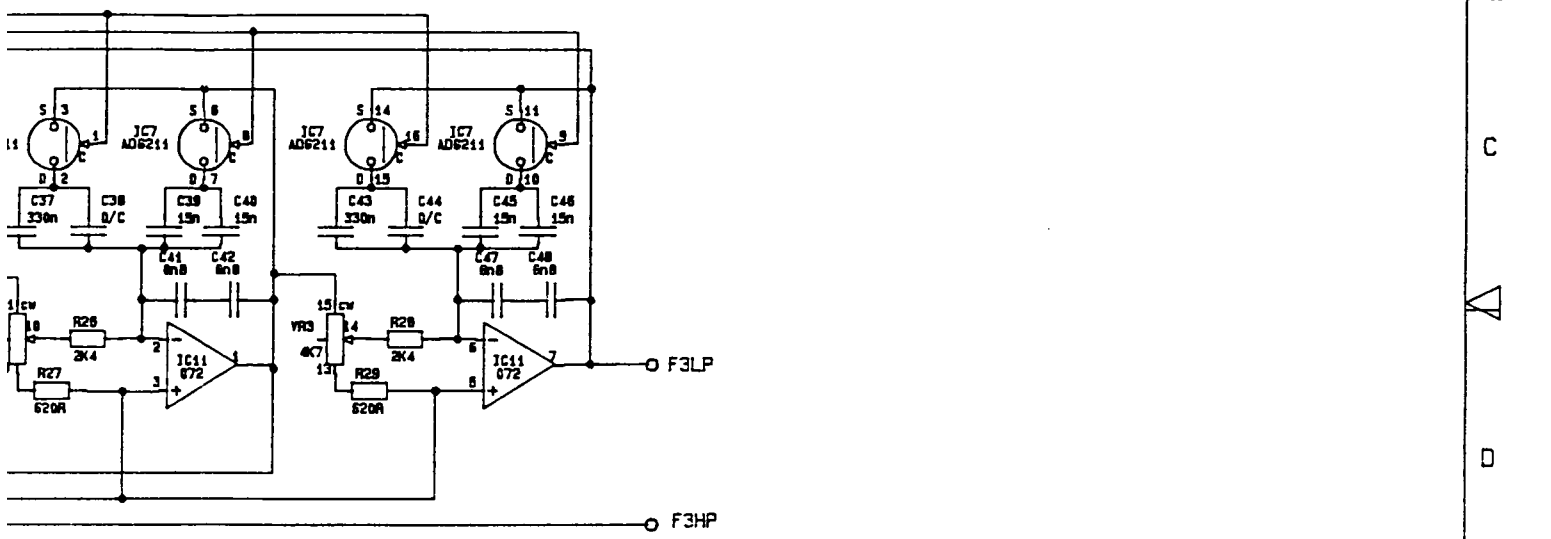
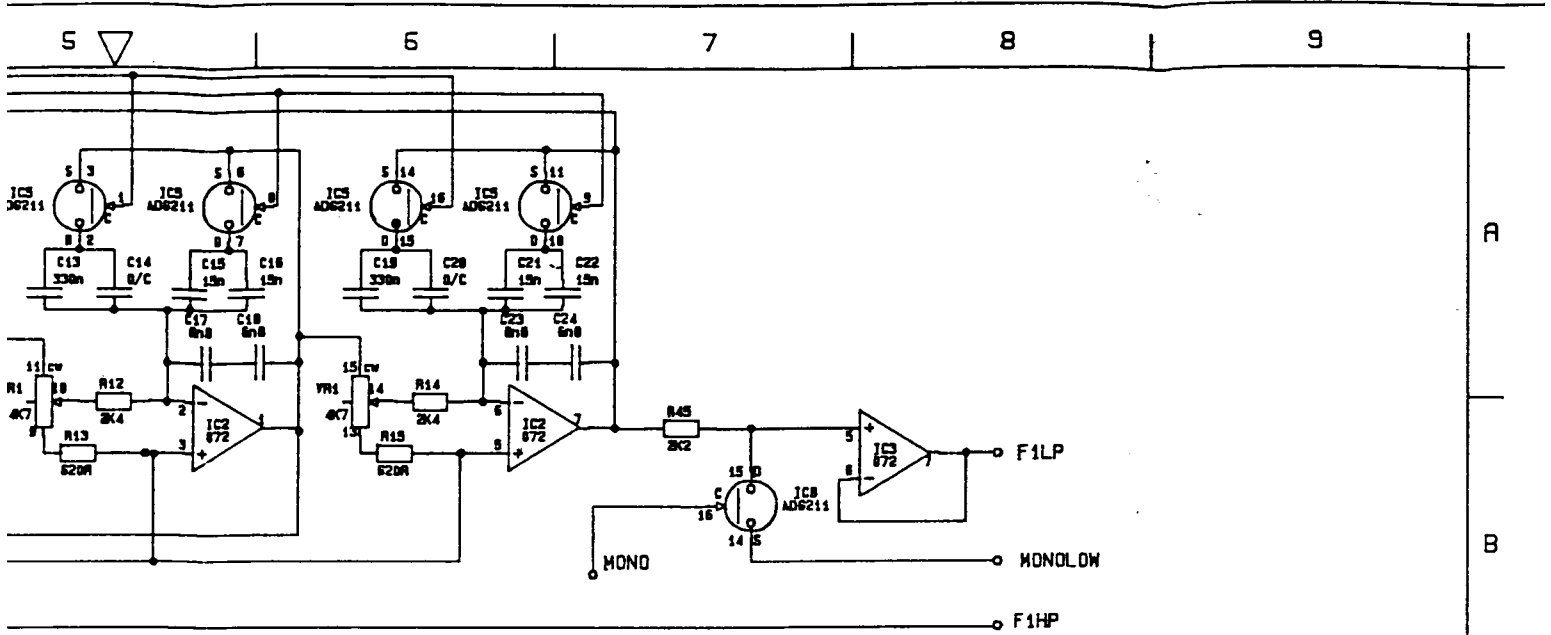
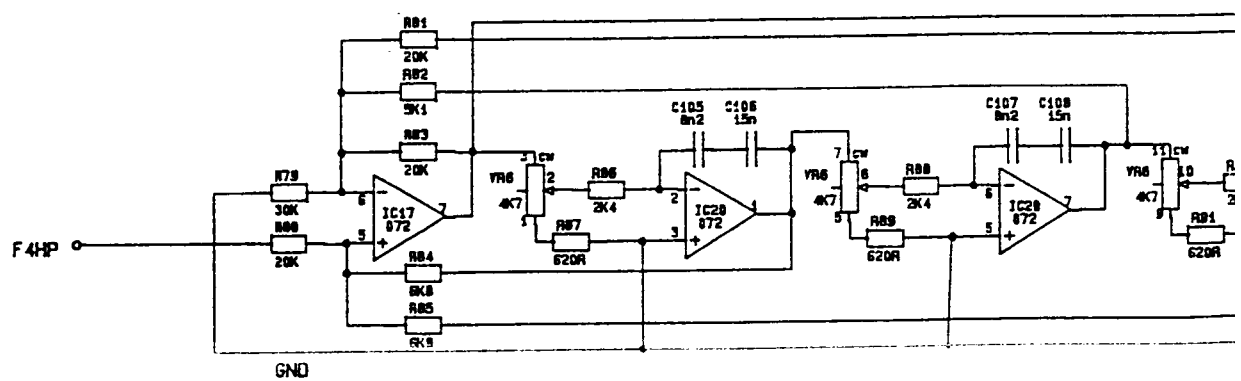
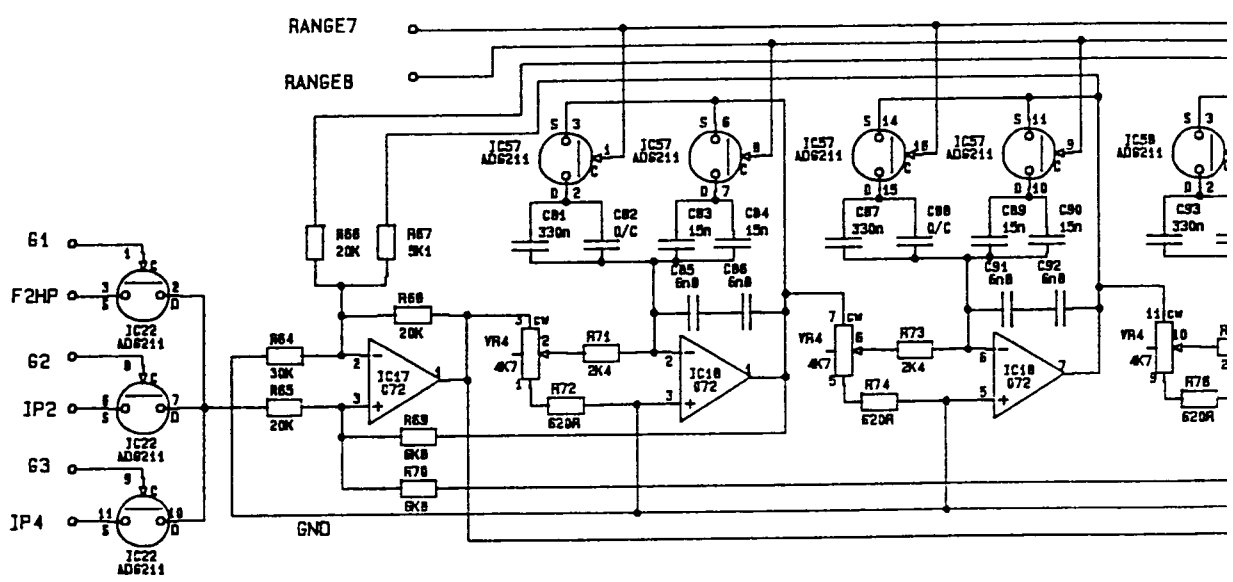
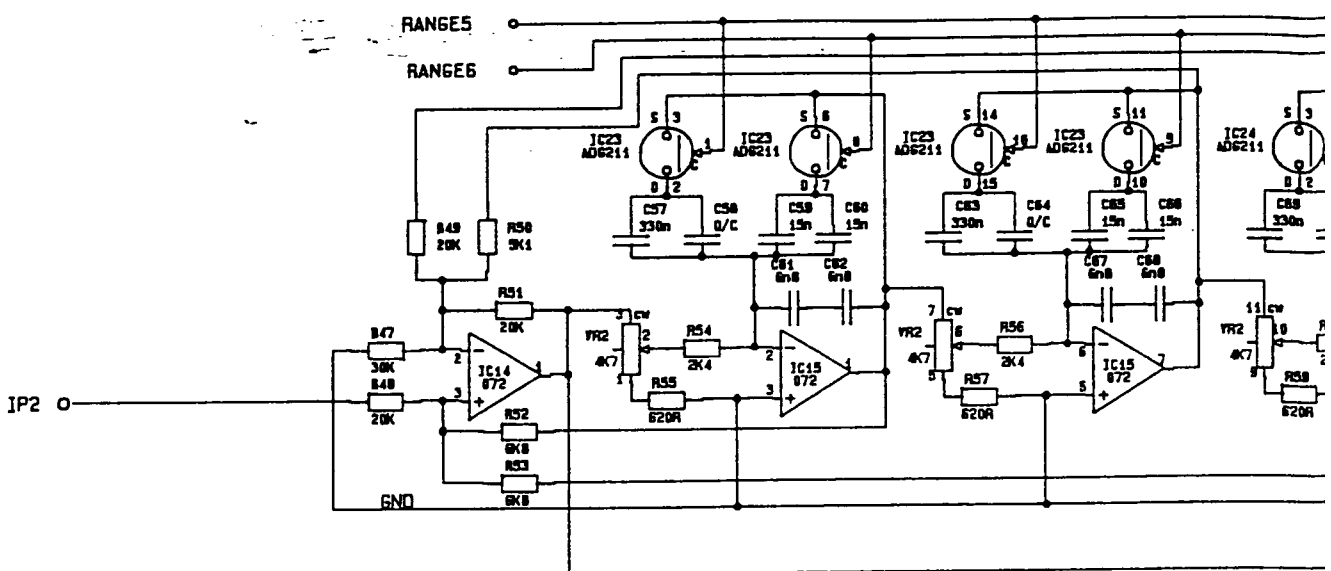


MODS	ISSUE NO.	DATE	DRAWN BY	TITLE
	A	OCT 91	PJW	318





TITLE	DRAWING NO.	SHEET 1 OF 5 SHEETS
318 Main PCB	3185-	A 3
5	6	8 BSS AUDIO LTD



MODS

ISSUE NO.

DATE

DRAWN BY

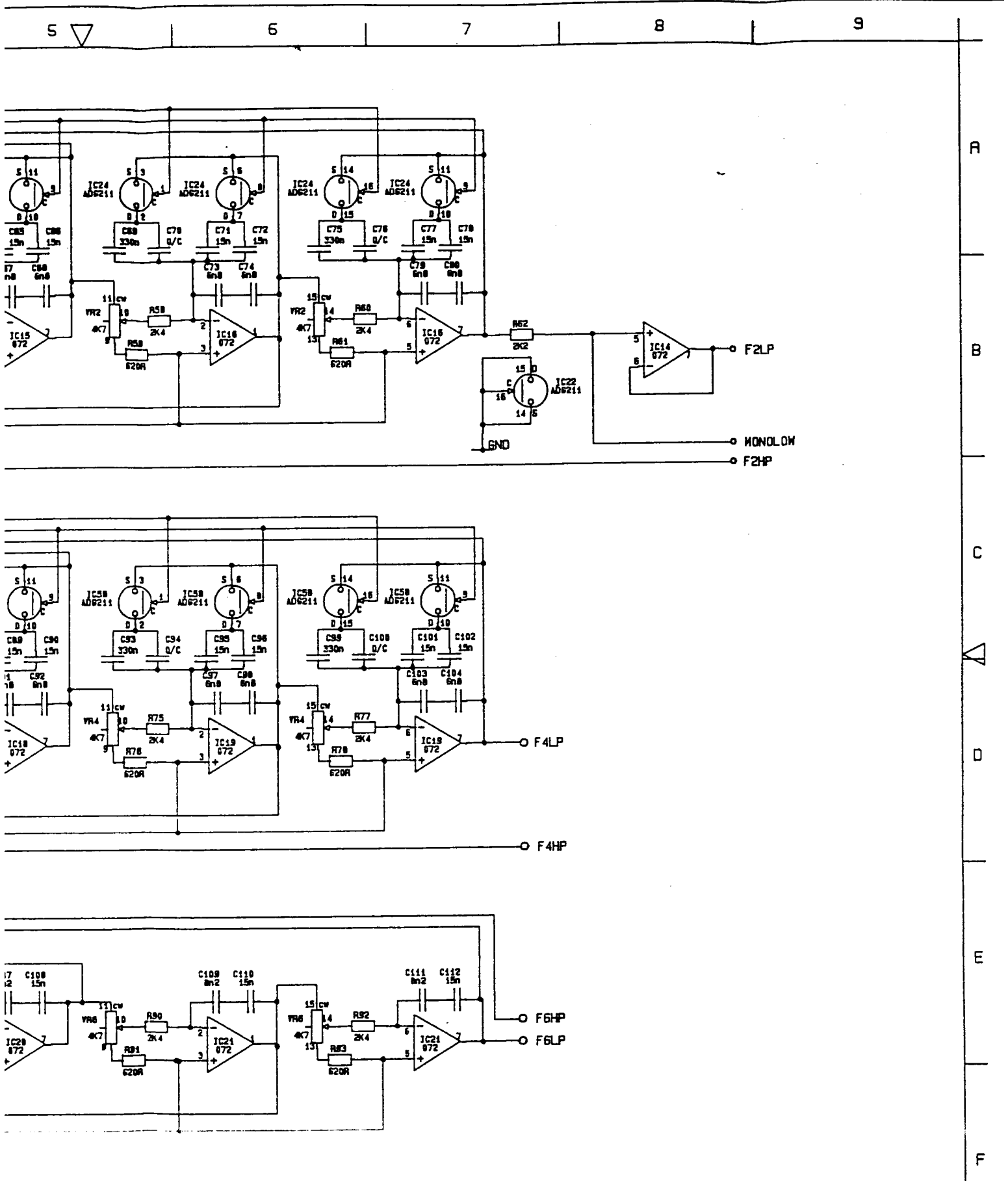
TITLE

A

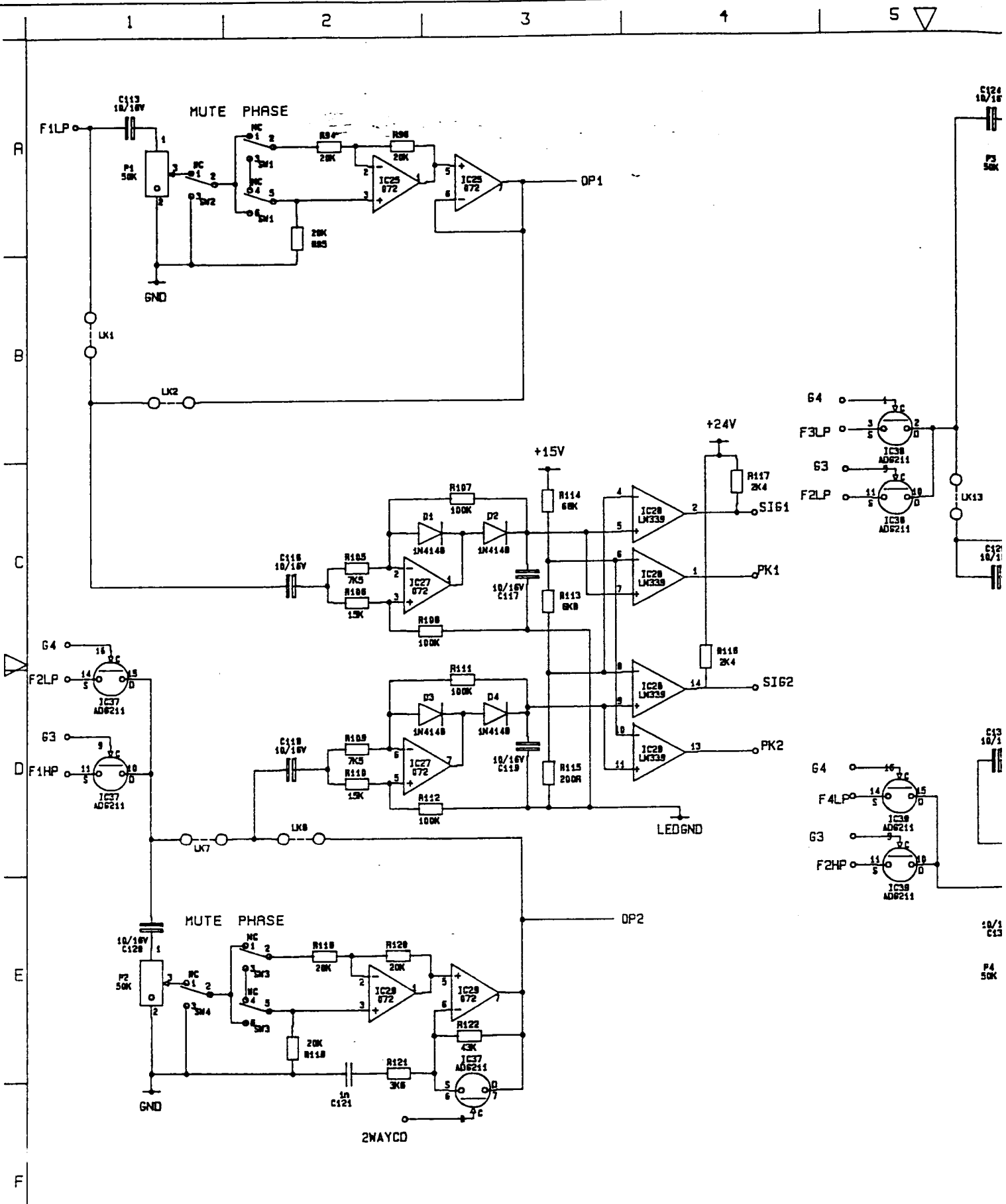
OCT 91

PJW

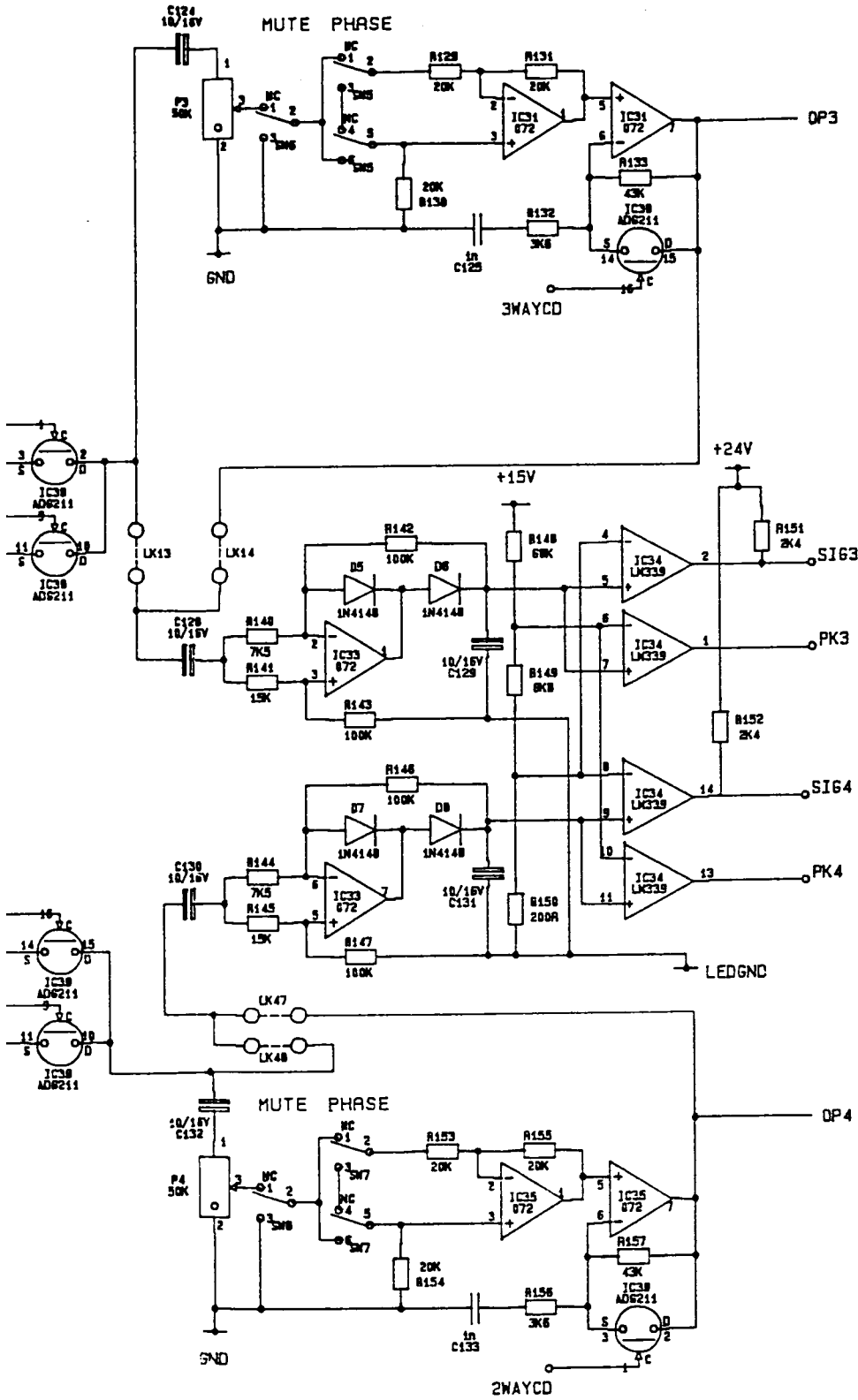
318



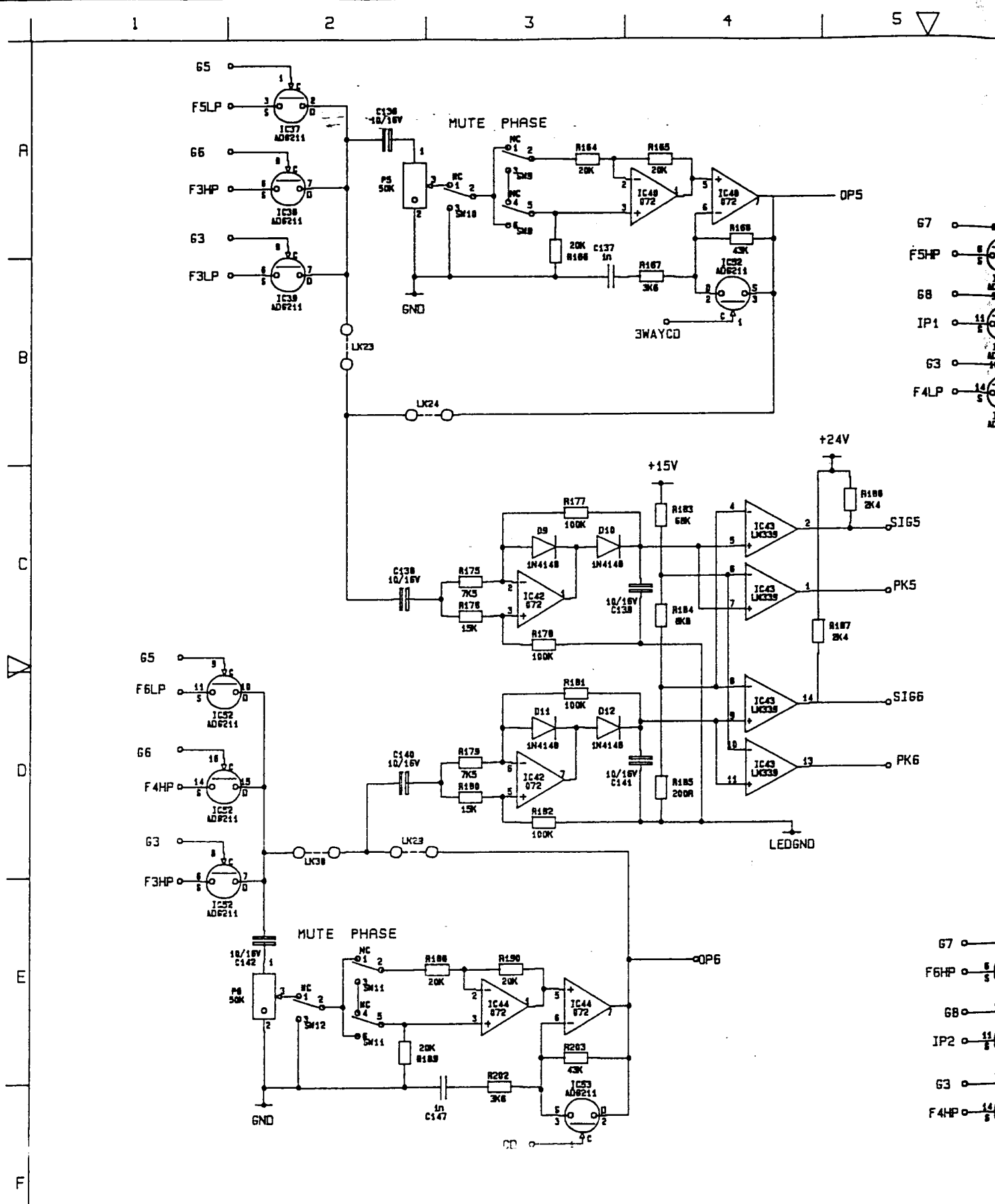
TITLE	DRAWING NO.	SHEET OF SHEETS
318 Main PCB	3185-	2 OF 5
BSS AUDIO LTD		A 3



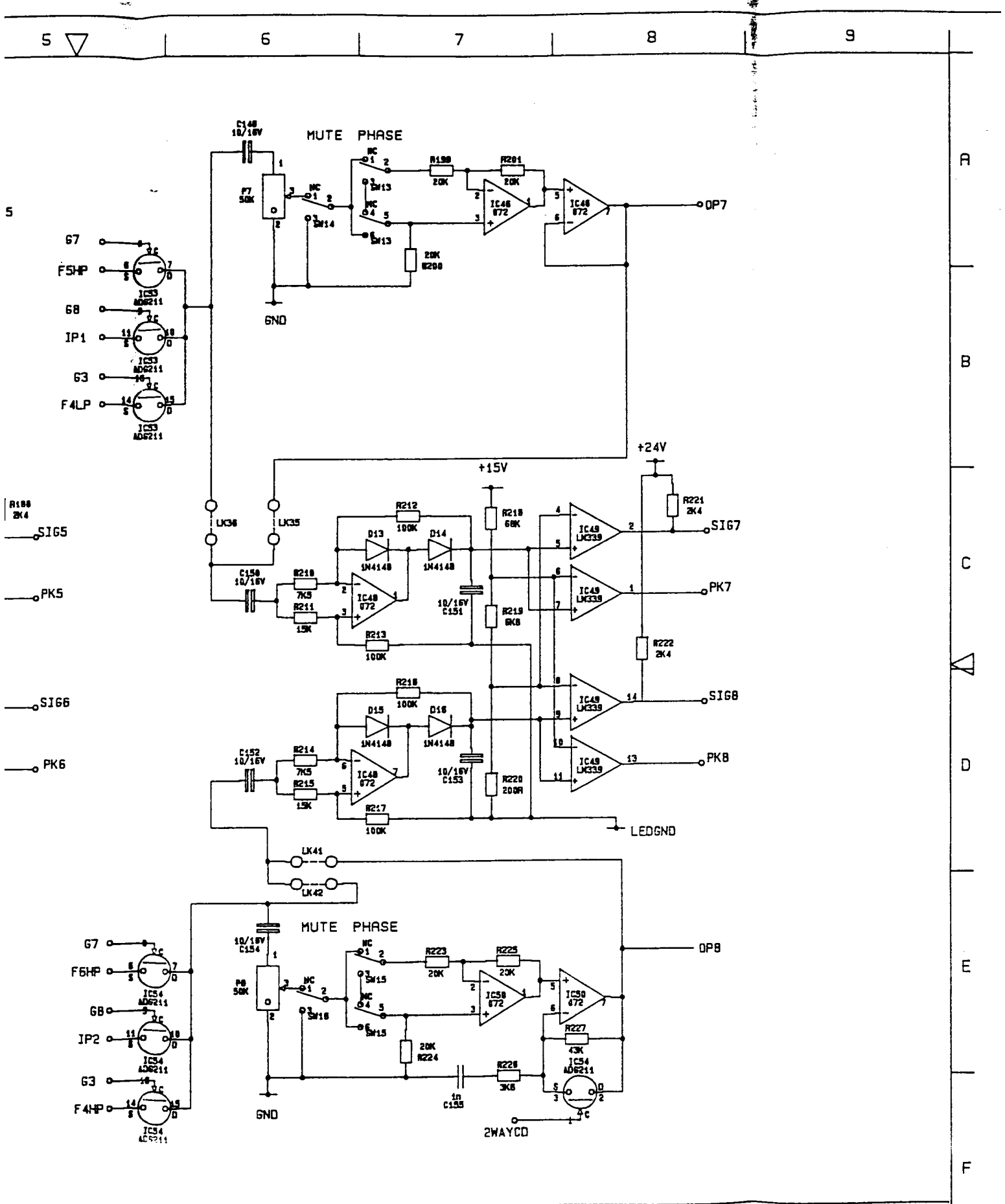
MODS	ISSUE NO.	DATE	DRAWN BY	TITLE
	A	OCT 91	PJW	318



TITLE	DRAWING NO.	SHEET	OF	SHEETS
318 Main PCB	318S-	3	5	3



MODS	ISSUE NO.	DATE	DRAWN BY	TITLE
	A	OCT 91	PJW	318



TITLE	DRAWING NO.	SHEET	OF	SHEETS
318 Main PCB	318S-	4	5	

A
3

COSW
 MONOSW
 MODESW-1
 MODESW-2
 MODESW-3
 MODESW-4
 D21

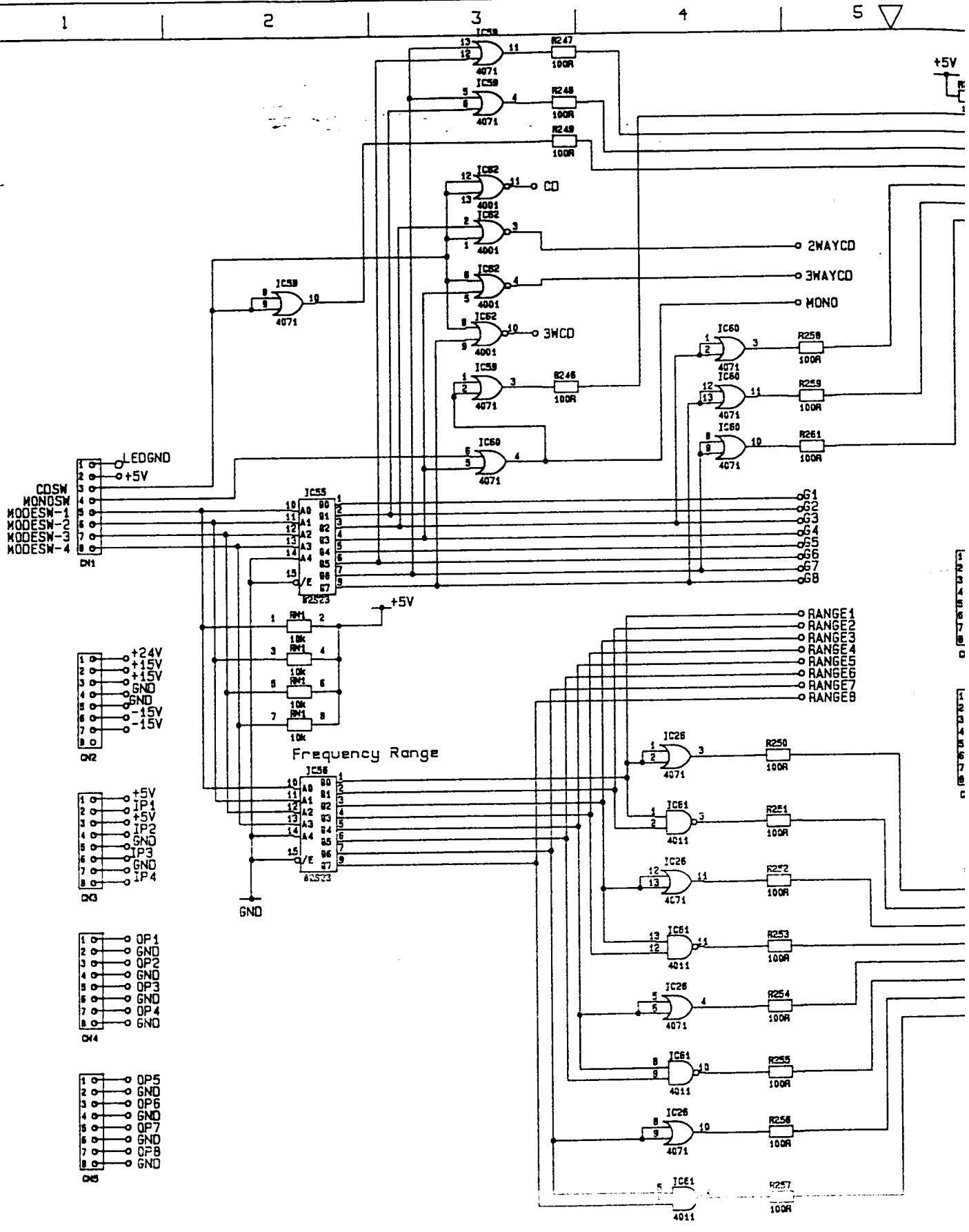
1 +24V
 2 +15V
 3 +15V
 4 5V
 5 GND
 6 -15V
 7 -15V
 8
 9
 10
 R2

1 +5V
 2 TP1
 3 +5V
 4 TP2
 5 GND
 6 TP3
 7 GND
 8 TP4
 9
 10
 R3

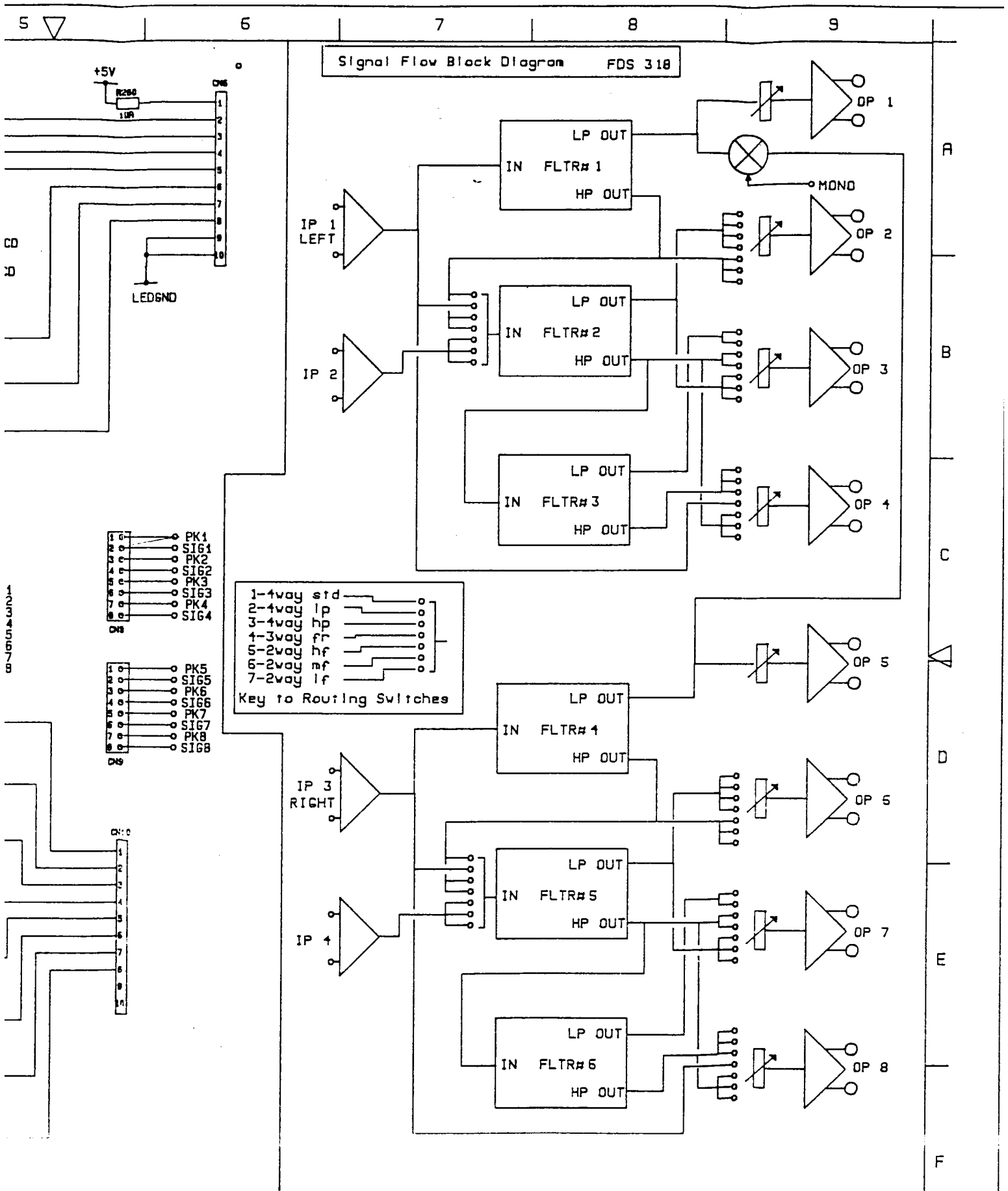
1 OP1
 2 GND
 3 OP2
 4 GND
 5 OP3
 6 GND
 7 OP4
 8 GND
 9
 10
 R4

1 OP5
 2 GND
 3 OP6
 4 GND
 5 OP7
 6 GND
 7 OP8
 8 GND
 9
 10
 R5

Frequency Range



MODS	ISSUE NO.	DATE	DRAWN BY	TITLE
	A	OCT 91	PJW	318



TITLE	DRAWING NO.	SHEET	OF	SHEETS	A 3
318 Main PCB	318S-	5	5		

1

2

3

4

5

A

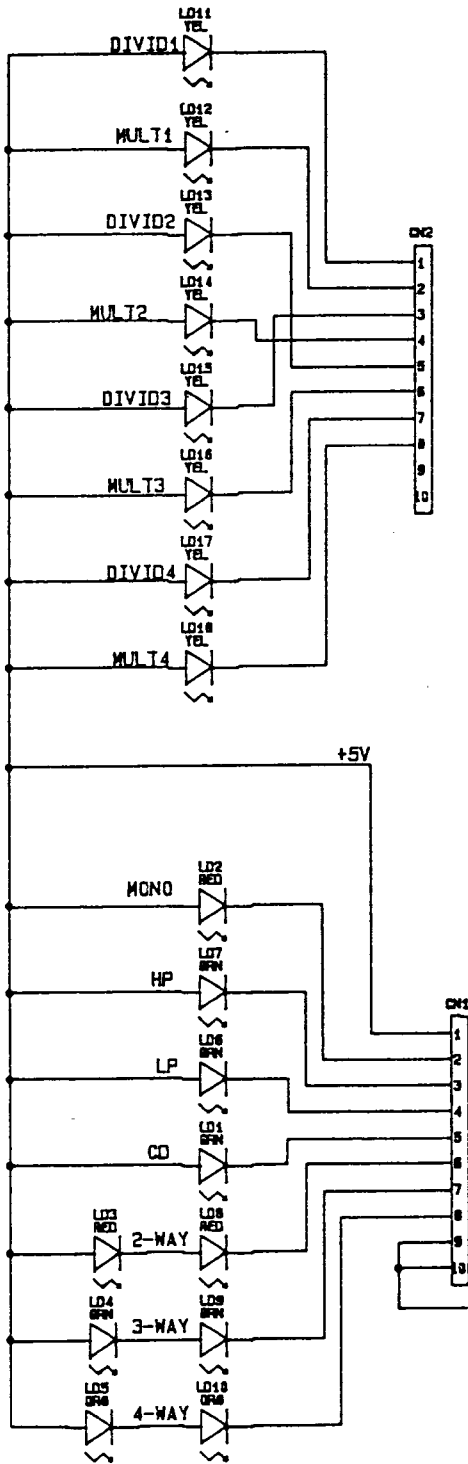
B

C

D

E

F



MODS

CN2 PINS 3 & 5 SWAPPED

ISSUE NO.

A

DATE

OCT 91

DRAWN BY

PJW

TITLE

F

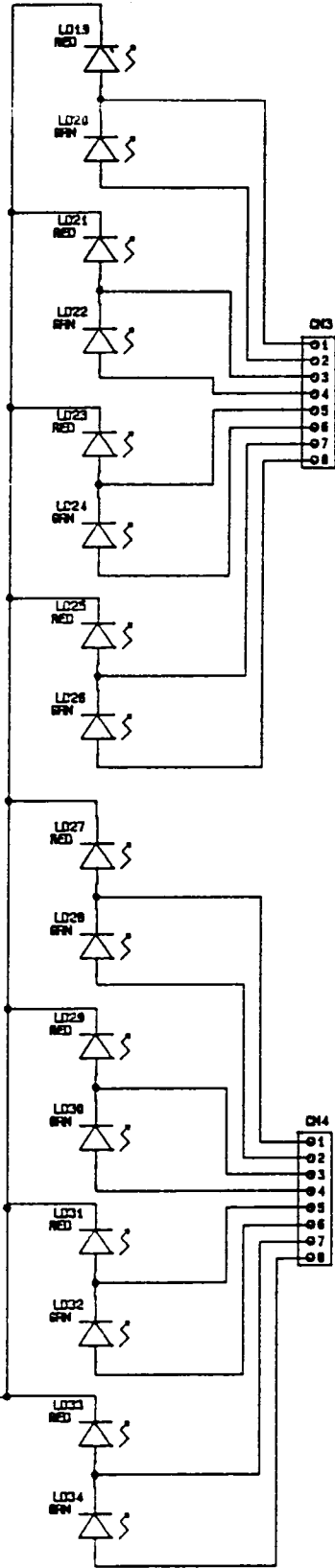
5

6

7

8

9



R

B

C

D

E

F

TITLE

FDS 318
LED PCB

DRAWING NO.

318SB

SHEET

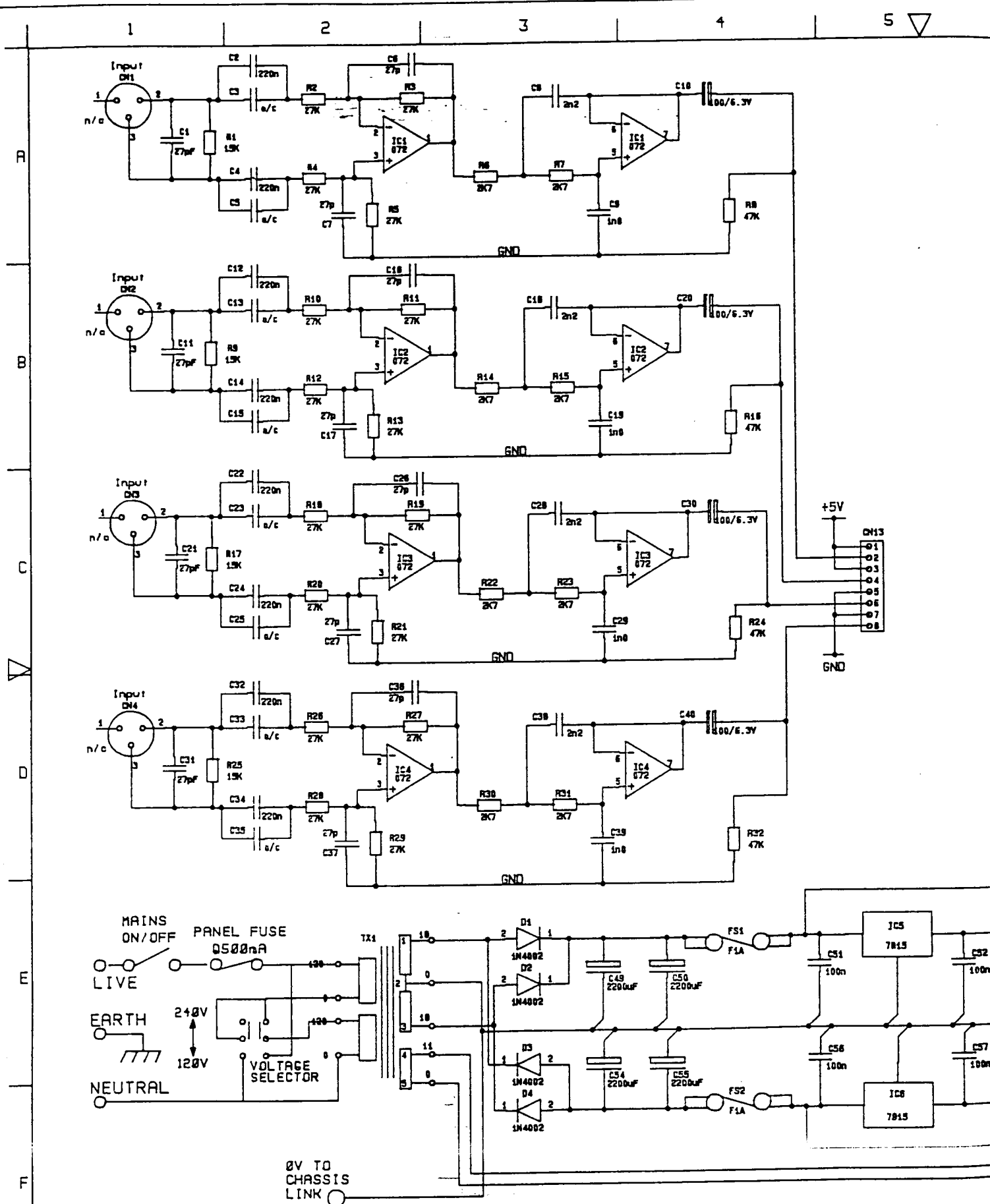
OF

SHEETS

1

1

3

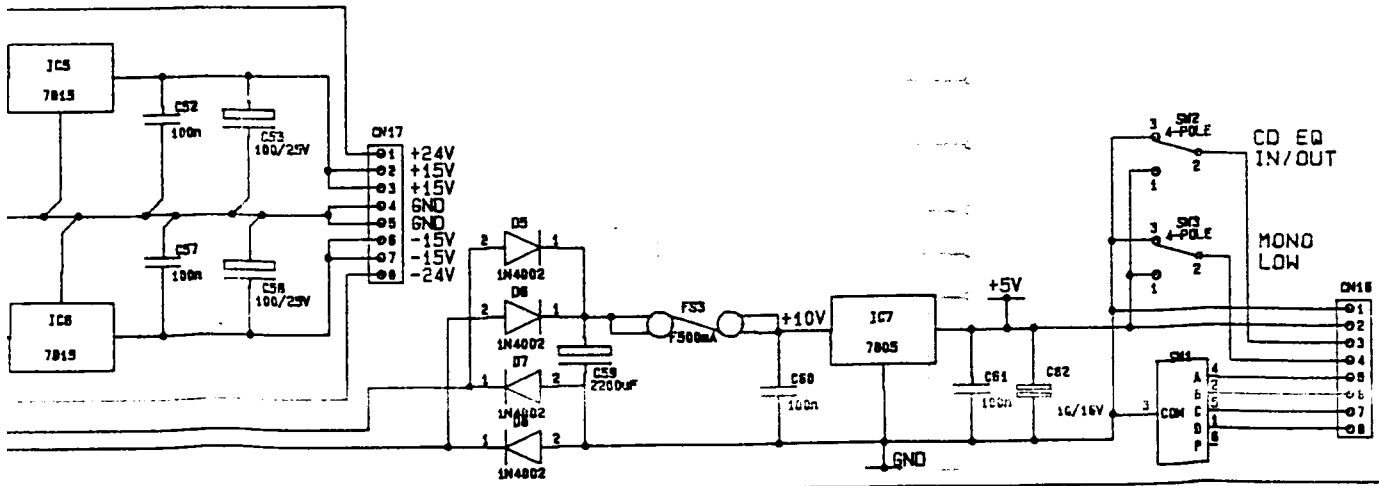


MODS	ISSUE NO.	DATE	DRAWN BY	TITLE
	A	OCT 91	PJW	INPUT POWER

5 6 7 8 9

A
B
C
D
E
F

DN13
-01
-02
-03
-04
-05
-06
-07
-08



TITLE FDS 318
INPUT / OUTPUT AND
POWER SUPPLY PCB

DRAWING NO.
318SA

SHEET 1 OF 2 SHEETS

A
3

1

2

3

4

5 ▽

R

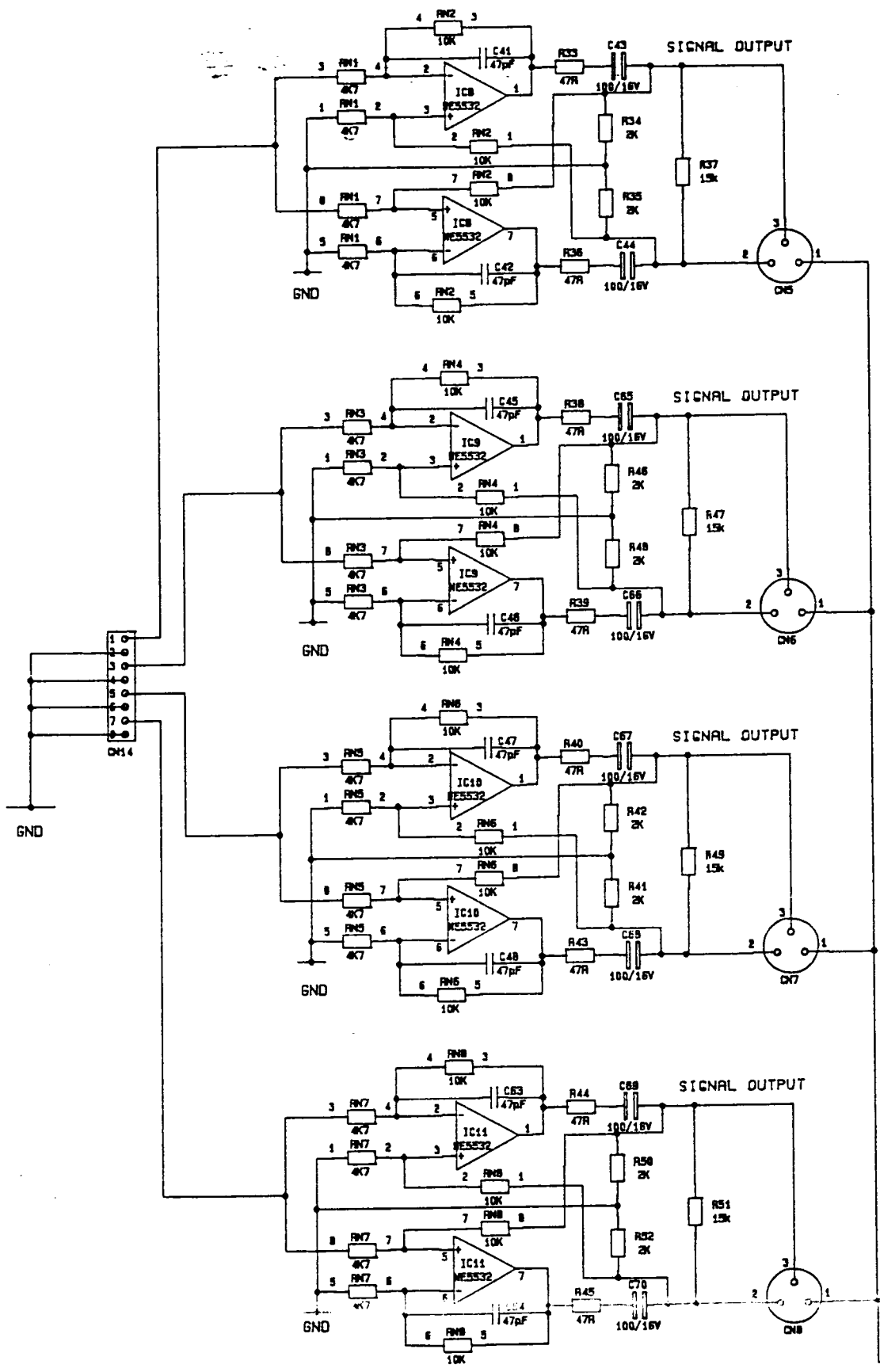
B

C

D

E

F



MODS

ISSUE NO.

DATE

DRAWN BY

TITLE

A

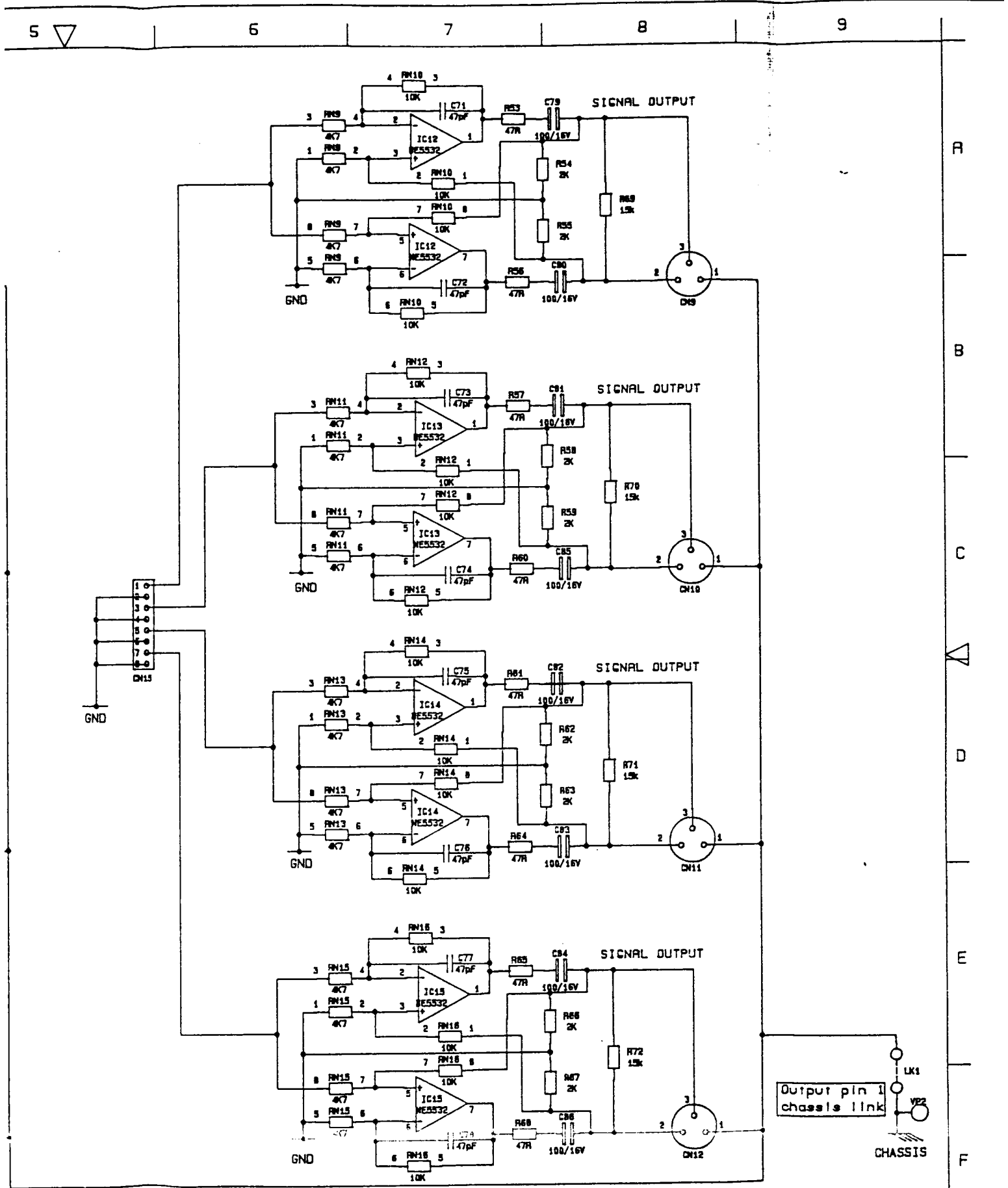
OCT 91

PJW

INPUT POWER

4

5 ▽



TITLE FDS 318
 INPUT / OUTPUT AND
 POWER SUPPLY PCB

DRAWING NO.
 318SA

SHEET OF SHEETS
 1 2

3