

DRAWING NUMBER ISSUE

S-B366AS-05

BSS HARMAN INTERNATIONAL INDUSTRIES LIMITED
 CRANBORNE HOUSE
 CRANBORNE ROAD
 POTTERS BAR
 HERTS
 EN6 3JN
 BSS Audio. Tel 01707 660667
 Fax 01707 660755

TITLE: POWER SUPPLY

SHEET 1 OF 10

FILENAME: S-B366AS-05.SCH

DRAWN: AW

DATE: 26-02-99

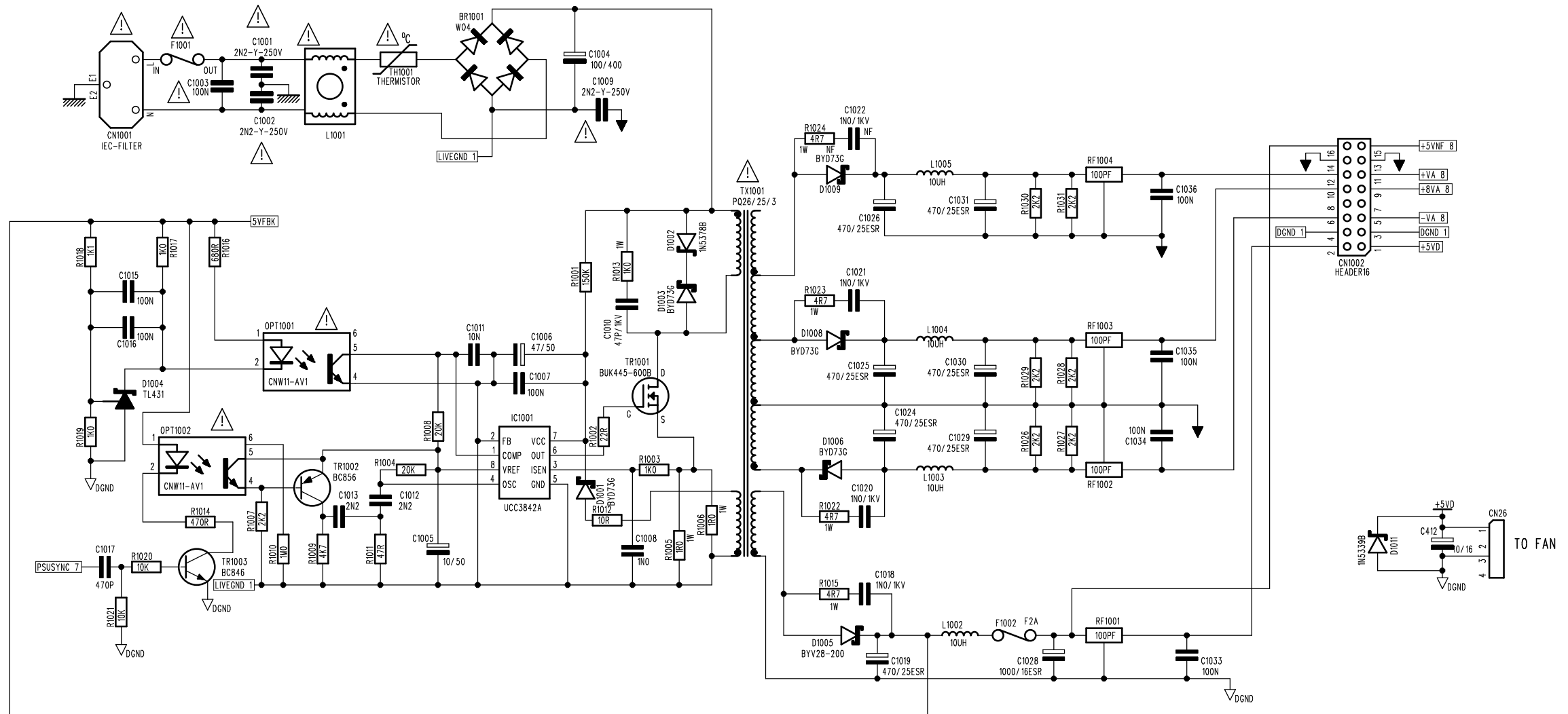
CHECKED:

MATERIAL:

FINISH:

ISSUE COMMENTS:

1. PRE-PRODUCTION RELEASE 26-02-99
2. PROTOTYPE ONLY 01-06-99
3. ECN0171 PRODUCTION RELEASE 10-6-99
4. ECN0270 05/01/00
- 4A. ECN0485 23/04/01
- 4B. ECN0548 15/01/02
5. ECN0687 24/09/03



⚠ ANY COMPONENT BEARING THIS MARK IS SAFETY CRITICAL PLEASE REFER TO SERVICE MANUAL

DRAWING NUMBER ISSUE

S-B366AS-05



HARMAN INTERNATIONAL INDUSTRIES LIMITED
CRANBORNE HOUSE
CRANBORNE ROAD
POTTERS BAR
HERTS
EN6 3JN
Tel 01707 660667
Fax 01707 660755

BSS Audio.

TITLE: OUTPUTS 1-4

SHEET 2 OF 10

FILENAME: S-B366AS-05.SCH

DRAWN: AW

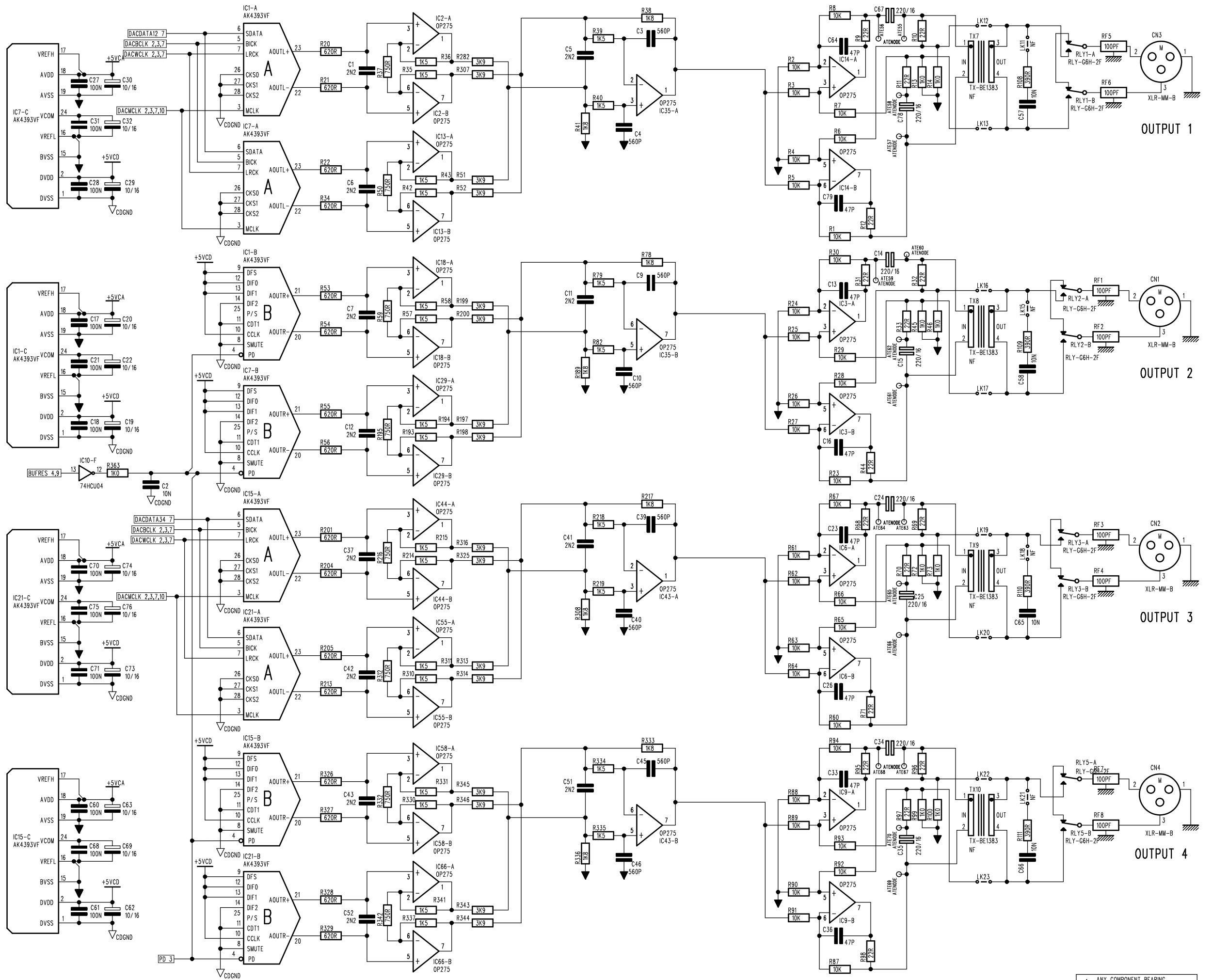
DATE: 10-09-98

CHECKED:

MATERIAL:

FINISH:

ISSUE COMMENTS:



THIS DRAWING IS THE COPYRIGHT OF BSS Audio Ltd. ALL REPRODUCTION AND COPYING, OTHER THAN THAT FOR LICENCED MANUFACTURERS OWN INTERNAL USE, OR DISCLOSURE OF PART OR WHOLE TO A THIRD PARTY WITHOUT PRIOR WRITTEN AUTHORISATION IS IN VIOLATION OF THE COPYRIGHT.
© BSS Audio Ltd 2001

ANY COMPONENT BEARING THIS MARK IS SAFETY CRITICAL PLEASE REFER TO SERVICE MANUAL

DRAWING NUMBER ISSUE

S-B366AS-05



HARMAN INTERNATIONAL INDUSTRIES LIMITED
CRANBORNE HOUSE
CRANBORNE ROAD
POTTERS BAR
HERTS
EN6 3JN
Tel 01707 660667
Fax 01707 660755

BSS Audio.

TITLE: OUTPUTS 5-6

SHEET 3 OF 10

FILENAME: S-B366AS-05.SCH

DRAWN: AW

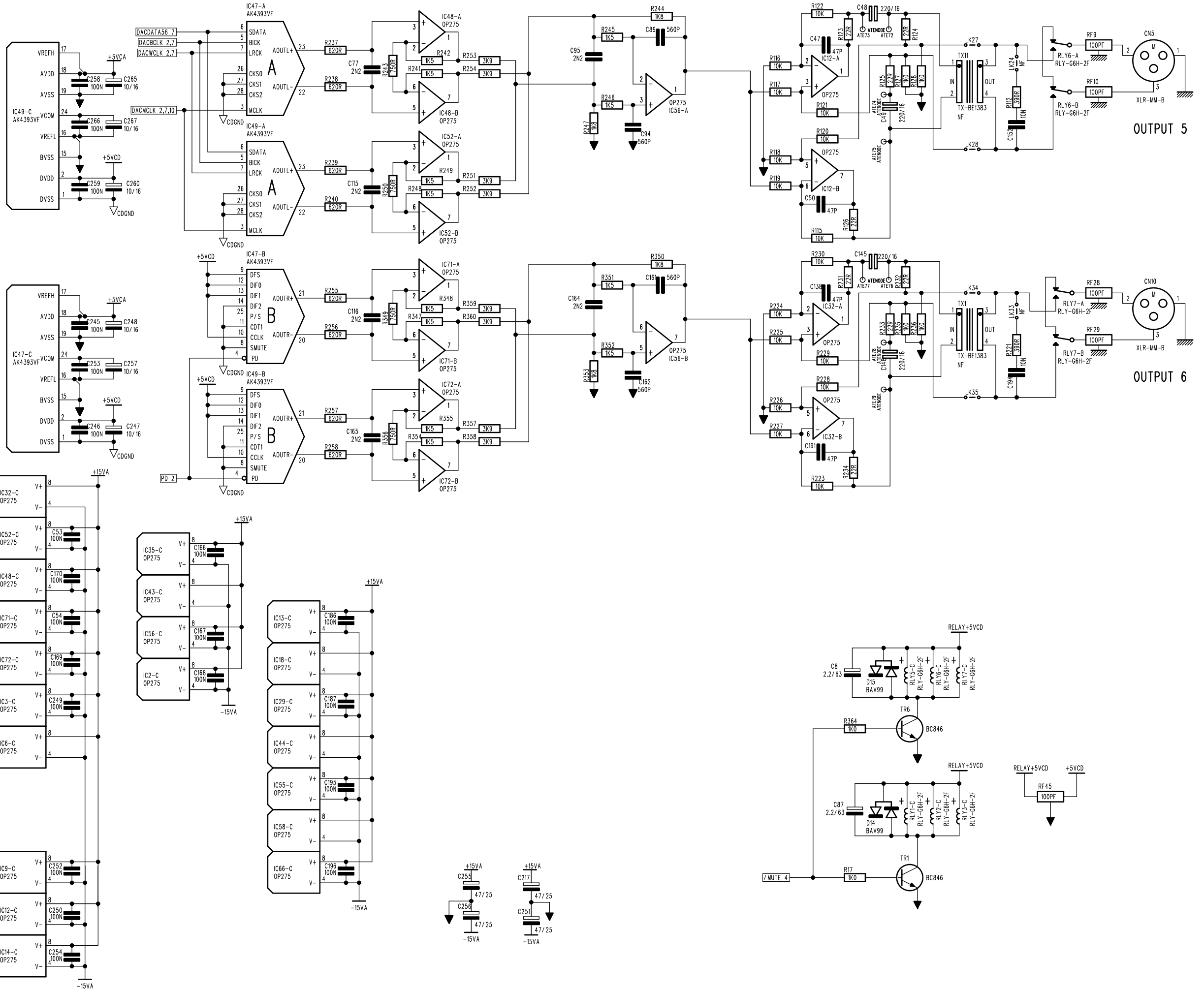
DATE: 26-02-99

CHECKED:

MATERIAL:

FINISH:

ISSUE COMMENTS:



THIS DRAWING IS THE COPYRIGHT OF BSS Audio Ltd. ALL REPRODUCTION AND COPYING, OTHER THAN THAT FOR LICENCED MANUFACTURES OWN INTERNAL USE, OR DISCLOSURE OF PART OR WHOLE TO A THIRD PARTY WITHOUT PRIOR WRITTEN AUTHORISATION IS IN VIOLATION OF THE COPYRIGHT. © BSS Audio Ltd 2001

DRAWING NUMBER ISSUE

S-B366AS-05



HARMAN INTERNATIONAL
INDUSTRIES LIMITED
CRANBORNE HOUSE
CRANBORNE ROAD
POTTERS BAR
HERTS
EN6 3JN
Tel 01707 660667
Fax 01707 660755

BSS Audio.

TITLE: MICROPROCESSOR

SHEET 4 OF 10

FILENAME: S-B366AS-05.SCH

DRAWN: AW

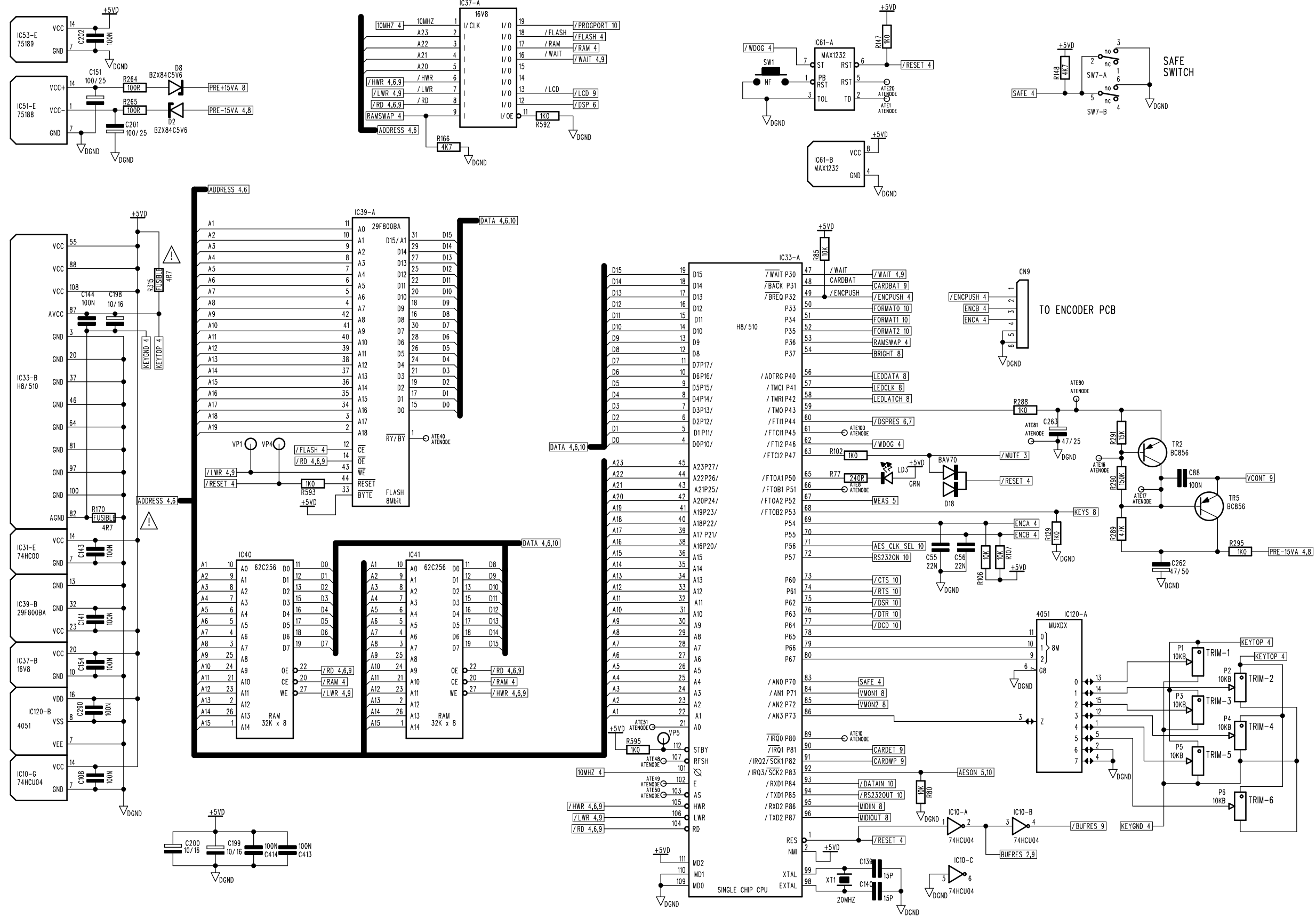
DATE: 10-09-98

CHECKED:

MATERIAL:

FINISH:

ISSUE COMMENTS:



THIS DRAWING IS THE COPYRIGHT OF BSS Audio Ltd. ALL REPRODUCTION AND COPYING, OTHER THAN THAT FOR LICENCED MANUFACTURERS OWN INTERNAL USE, OR DISCLOSURE OF PART OR WHOLE TO A THIRD PARTY WITHOUT PRIOR WRITTEN AUTHORISATION IS IN VIOLATION OF THE COPYRIGHT.
© BSS Audio Ltd 2001

ANY COMPONENT BEARING THIS MARK IS SAFETY CRITICAL PLEASE REFER TO SERVICE MANUAL

DRAWING NUMBER ISSUE

S-B366AS-05



HARMAN INTERNATIONAL INDUSTRIES LIMITED
CRANBORNE HOUSE
CRANBORNE ROAD
POTTERS BAR
HERTS
EN6 3JN
Tel 01707 660667
Fax 01707 660755

BSS Audio.

TITLE: INPUTS 1-3

SHEET 5 OF 10

FILENAME: S-B366AS-05.SCH

DRAWN: AW

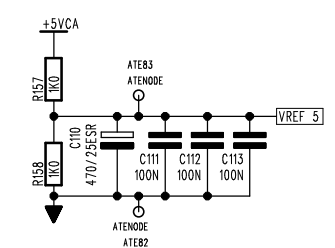
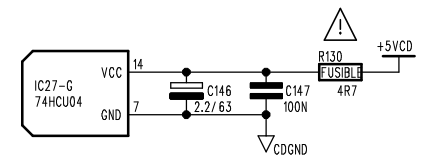
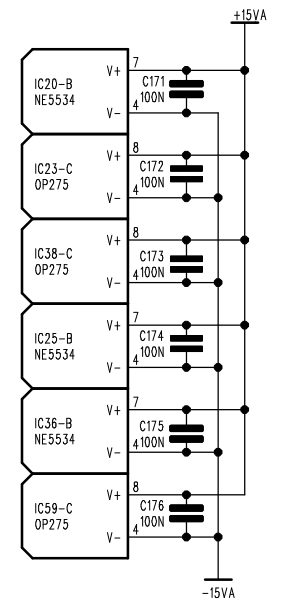
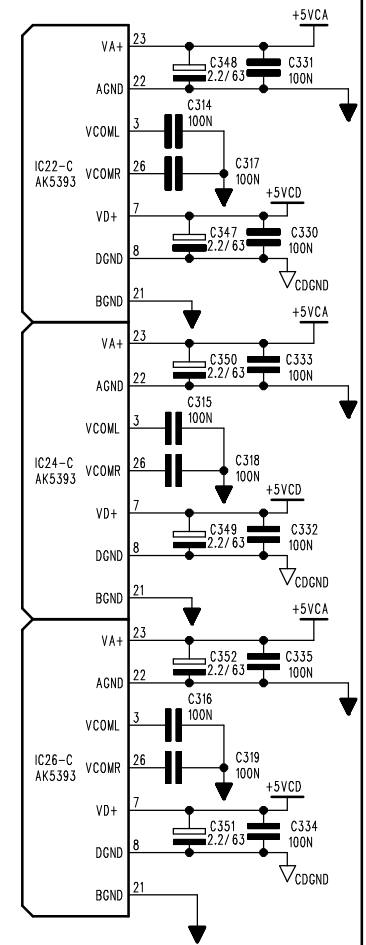
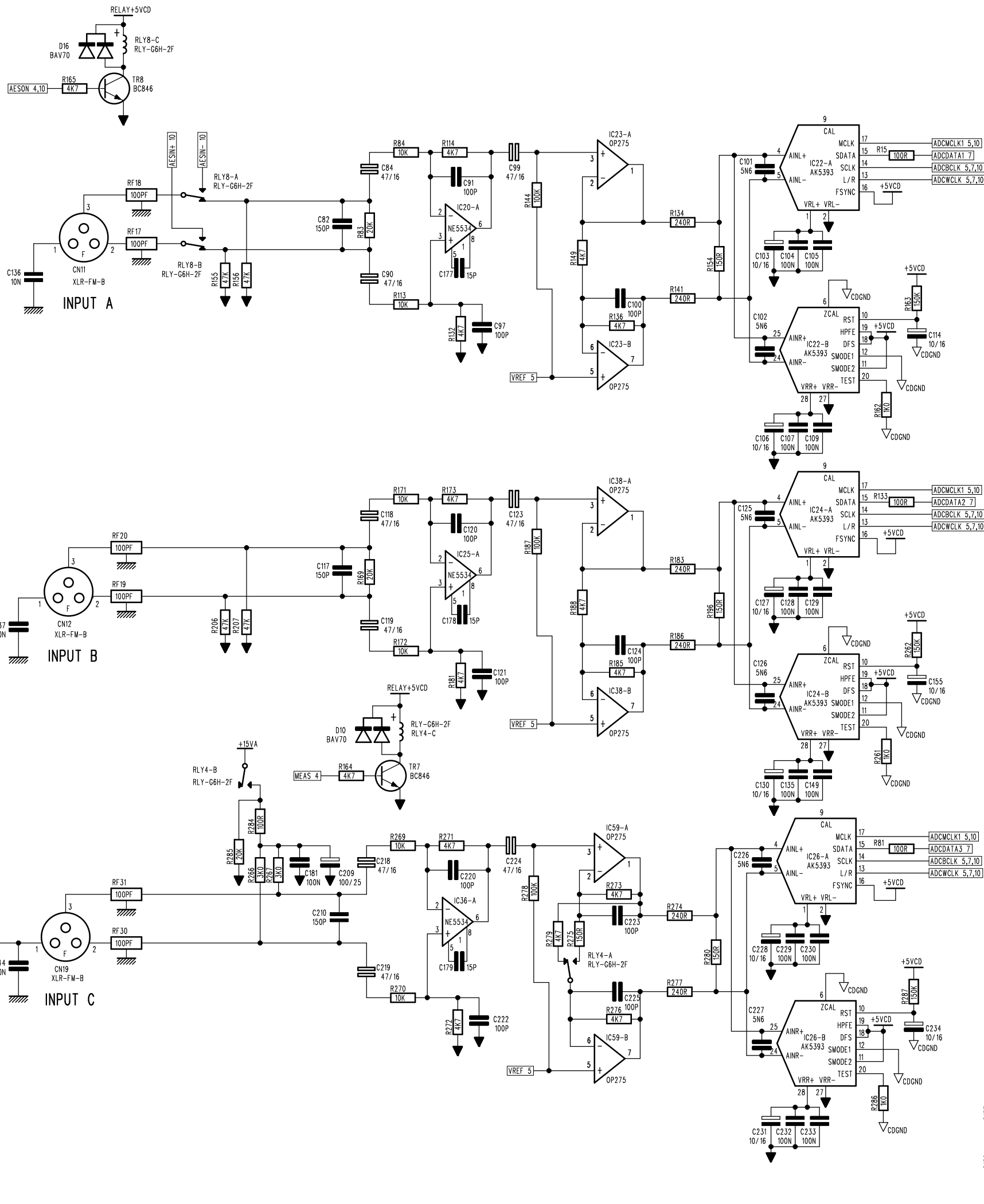
DATE: 26-02-99

CHECKED:

MATERIAL:

FINISH:

ISSUE COMMENTS:



THIS DRAWING IS THE COPYRIGHT OF BSS Audio Ltd. ALL REPRODUCTION AND COPYING, OTHER THAN THAT FOR LICENCED MANUFACTURES OWN INTERNAL USE, OR DISCLOSURE OF PART OR WHOLE TO A THIRD PARTY WITHOUT PRIOR WRITTEN AUTHORISATION IS IN VIOLATION OF THE COPYRIGHT. © BSS Audio Ltd 2001

ANY COMPONENT BEARING THIS MARK IS SAFETY CRITICAL PLEASE REFER TO SERVICE MANUAL

DRAWING NUMBER ISSUE

S-B366AS-05



HARMAN INTERNATIONAL INDUSTRIES LIMITED
CRANBORNE HOUSE
POTTERS BAR
HERTS
EN6 3JN
Tel 01707 660667
Fax 01707 660755

BSS Audio.

TITLE: DSP 0

SHEET 6 OF 10

FILENAME: S-B366AS-05.SCH

DRAWN: AW

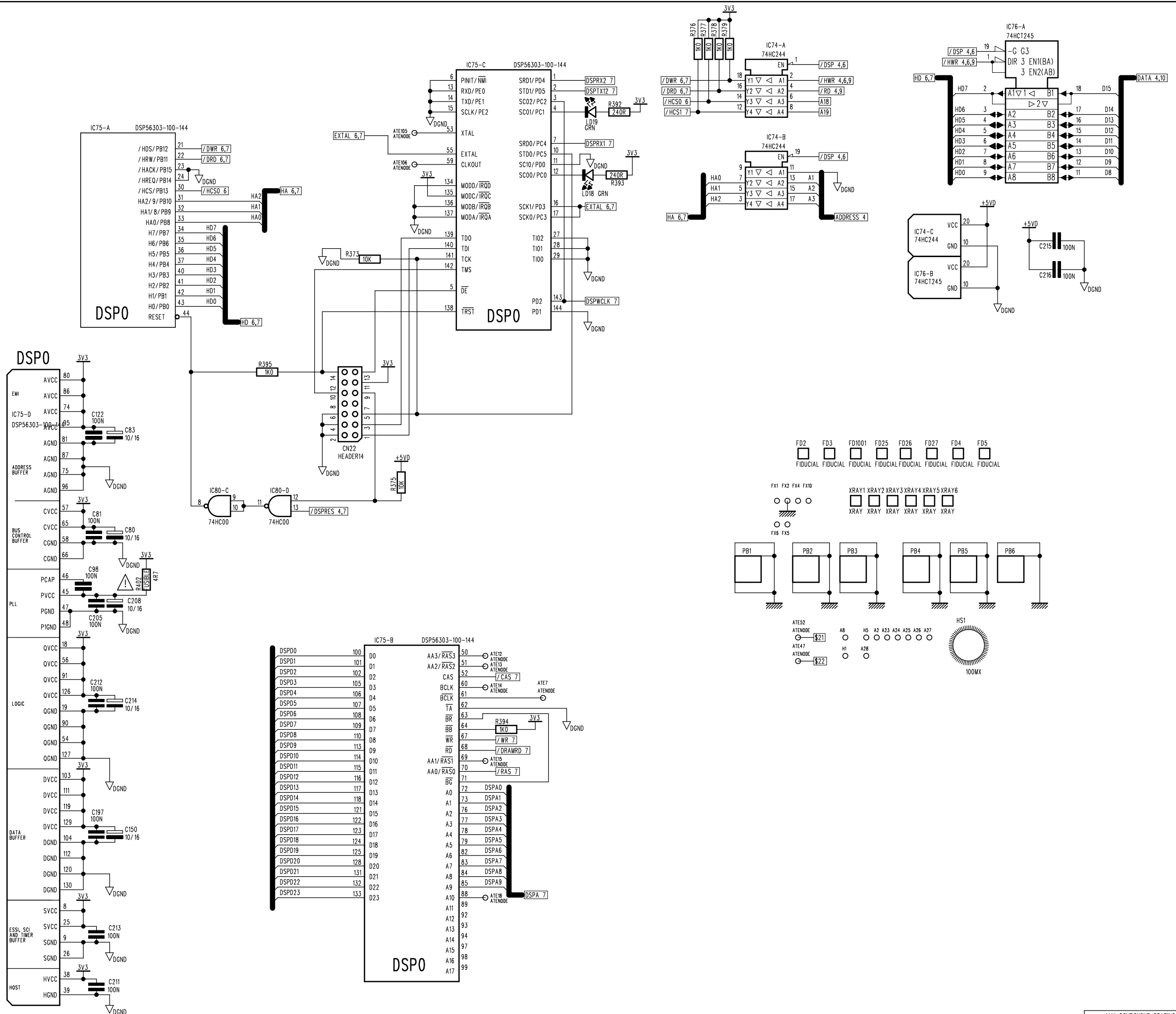
DATE: 26-02-99

CHECKED:

MATERIAL:

FINISH:

ISSUE COMMENTS:



DRAWING NUMBER ISSUE

S-B366AS-05



TITLE: DSP 1

SHEET 7 OF 10

FILENAME: S-B366AS-05.SCH

DRAWN: AW

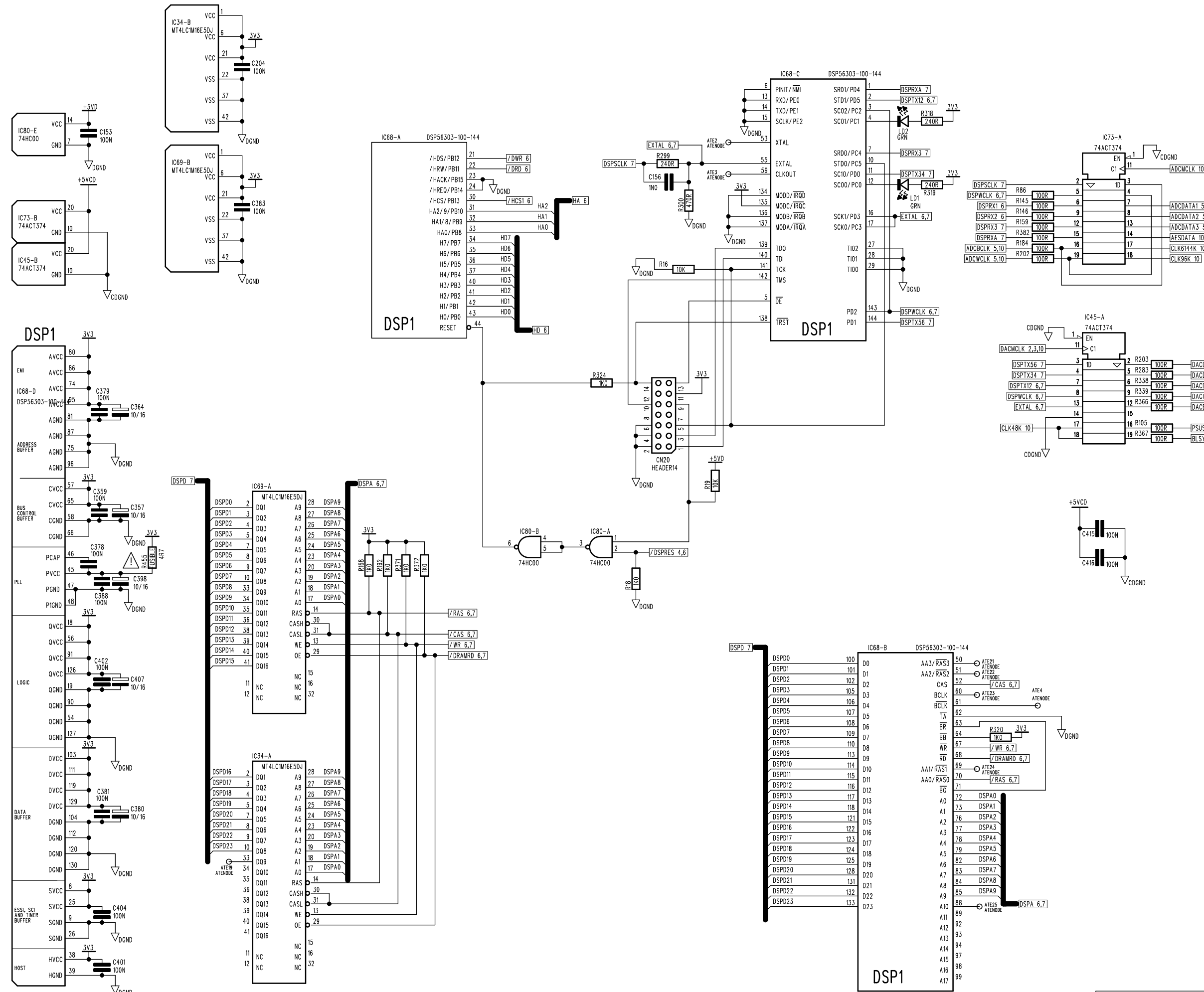
DATE: 26-02-99

CHECKED:

MATERIAL:

FINISH:

ISSUE COMMENTS:



THIS DRAWING IS THE COPYRIGHT OF BSS Audio Ltd. ALL REPRODUCTION AND COPYING, OTHER THAN THAT FOR LICENCED MANUFACTURERS OWN INTERNAL USE, OR DISCLOSURE OF PART OR WHOLE TO A THIRD PARTY WITHOUT PRIOR WRITTEN AUTHORISATION IS IN VIOLATION OF THE COPYRIGHT. © BSS Audio Ltd 2001

ANY COMPONENT BEARING THIS MARK IS SAFETY CRITICAL PLEASE REFER TO SERVICE MANUAL

DRAWING NUMBER ISSUE

S-B366AS-05



HARMAN INTERNATIONAL
INDUSTRIES LIMITED
CRANBORNE HOUSE
CRANBORNE ROAD
POTTERS BAR
HERTS
EN6 3JN
Tel 01707 660667
Fax 01707 660755

BSS Audio.

TITLE: MIDI, 3V3 SUPPLY,
VOLTAGE SENSING, BACKLIGHT
& REGULATORS

SHEET 8 OF 10

FILENAME: S-B366AS-05.SCH

DRAWN: AW

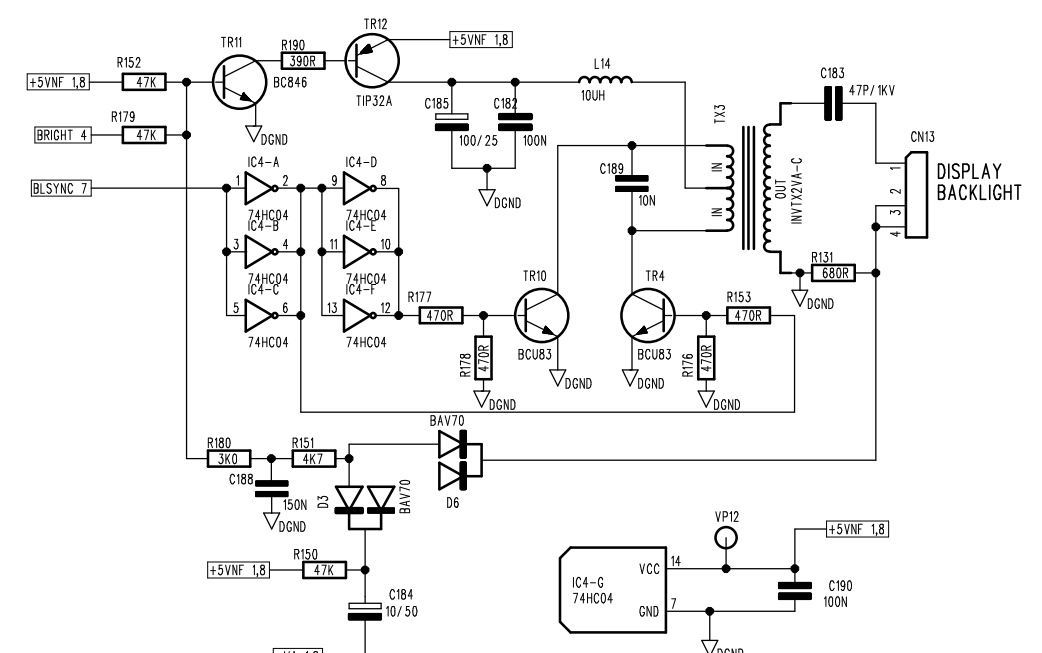
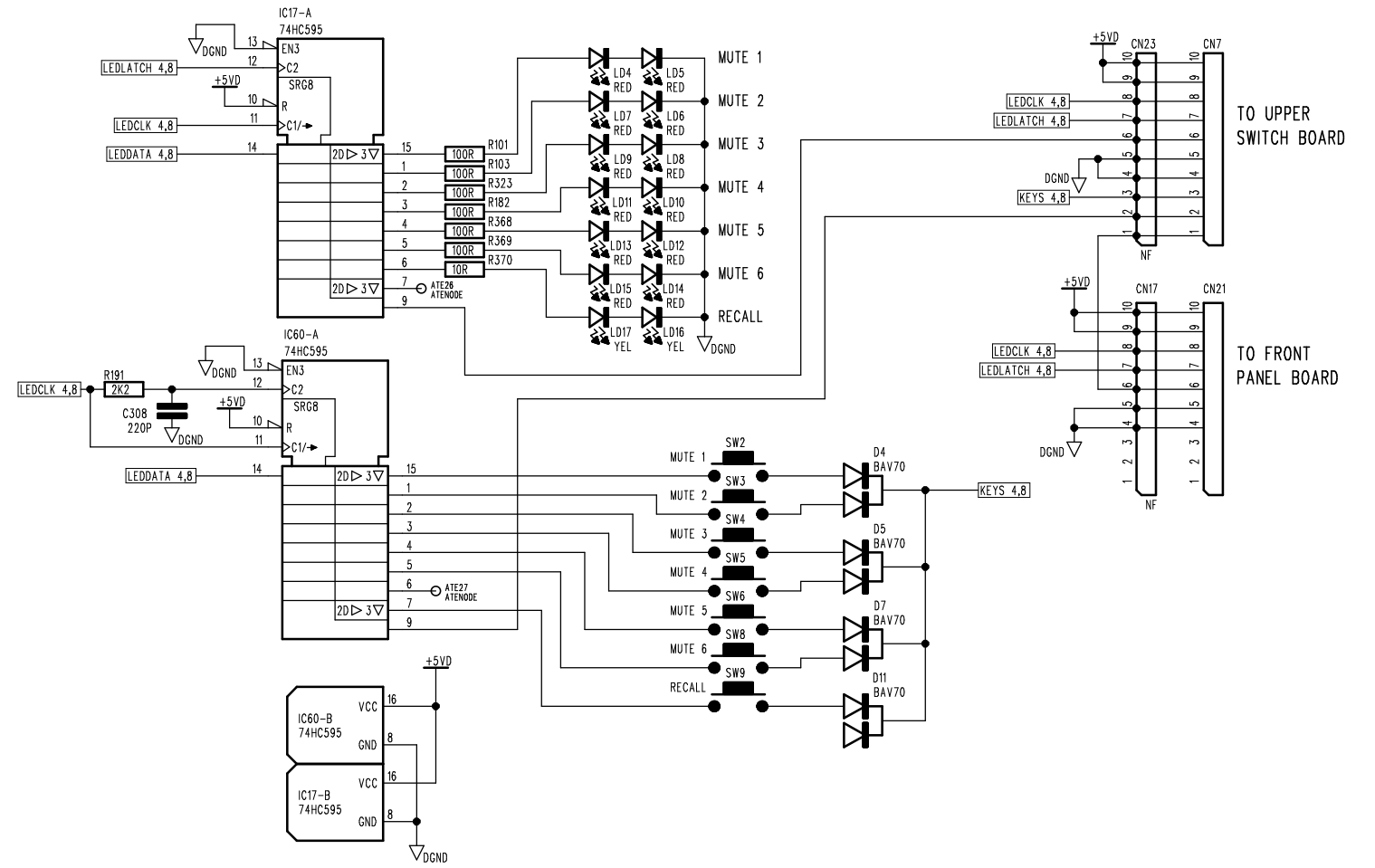
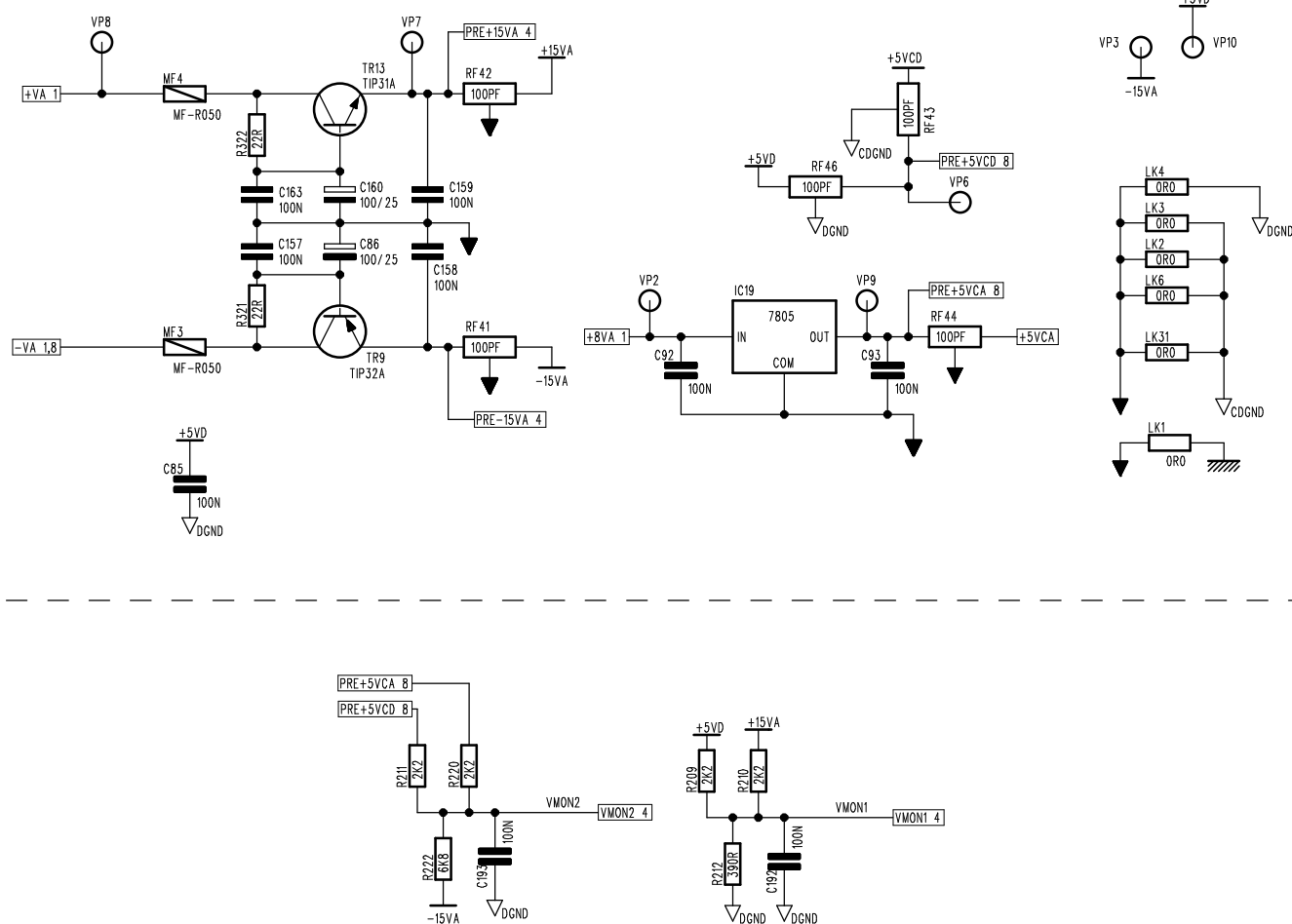
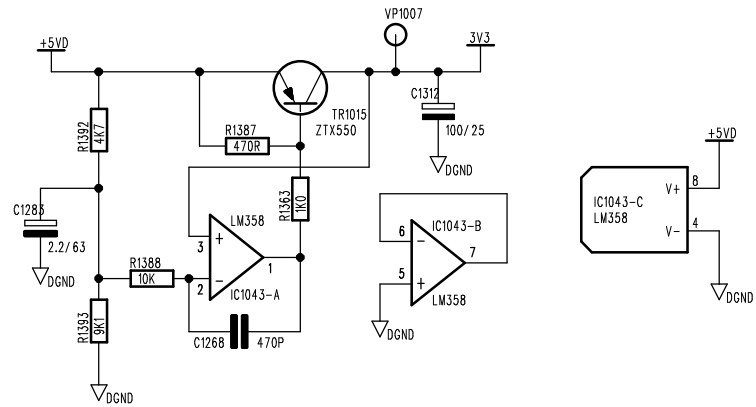
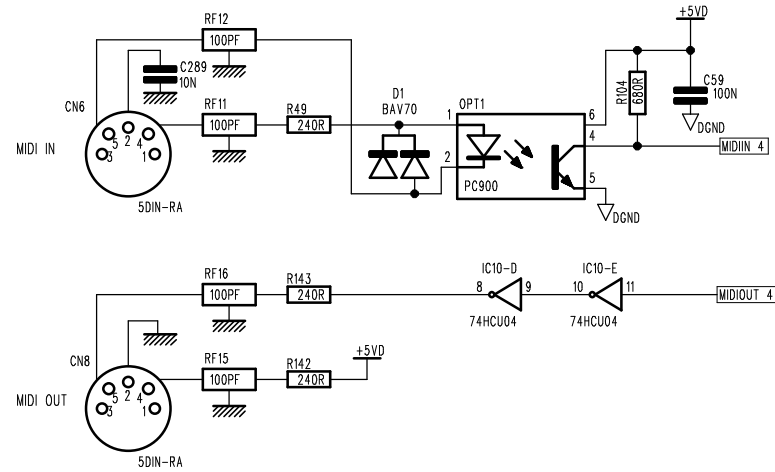
DATE: 26-02-99

CHECKED:

MATERIAL:

FINISH:

ISSUE COMMENTS:



DRAWING NUMBER ISSUE

S-B366AS-05



HARMAN INTERNATIONAL INDUSTRIES LIMITED
CRANBORNE HOUSE
CRANBORNE ROAD
POTTERS BAR
HERTS
EN6 3JN
Tel 01707 660667
Fax 01707 660755

BSS Audio.

TITLE: CARD & DISPLAY

SHEET 9 OF 10

FILENAME: S-B366AS-05.SCH

DRAWN: AW

DATE: 26-02-99

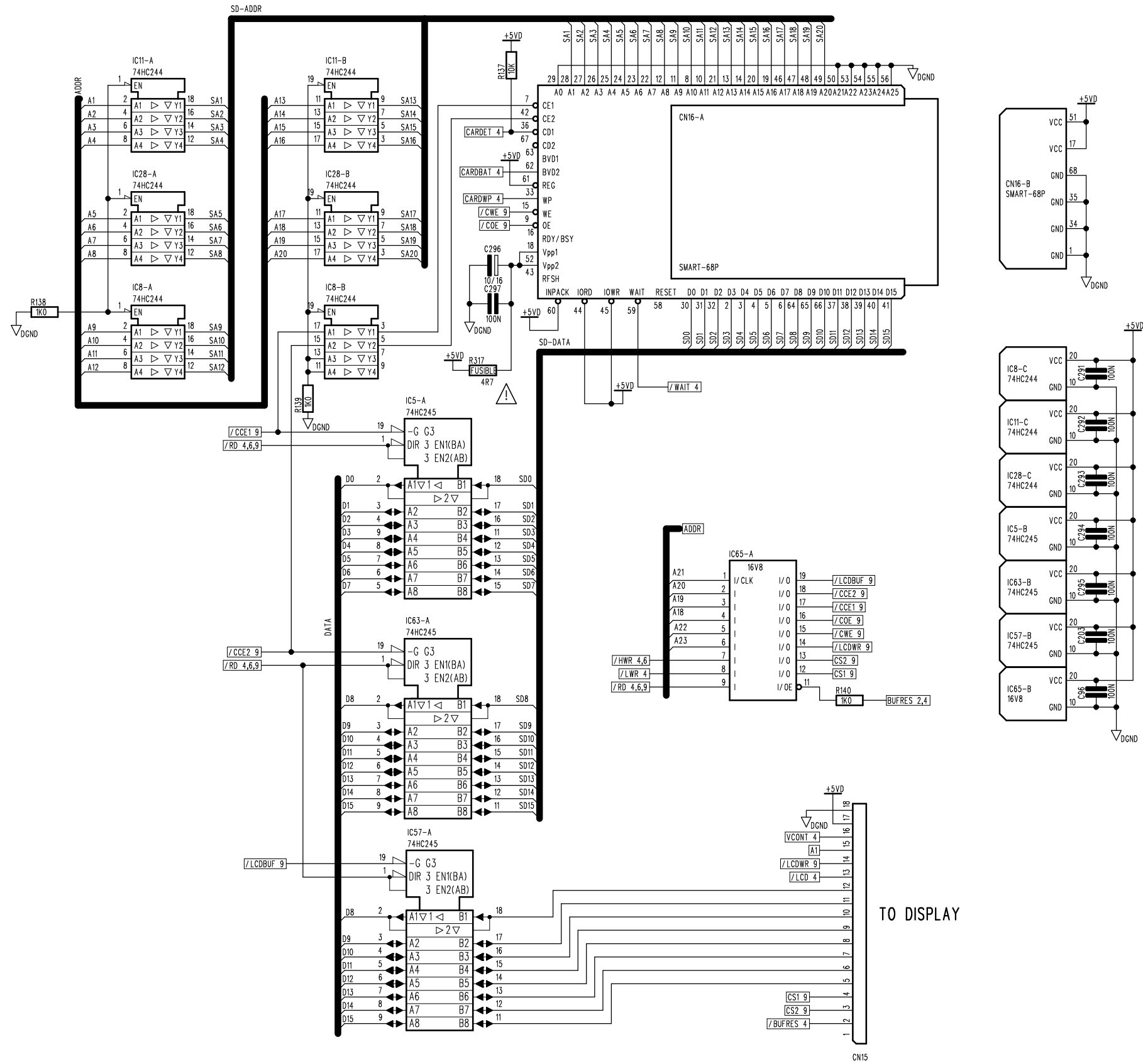
CHECKED:

MATERIAL:

FINISH:

ISSUE COMMENTS:

THIS DRAWING IS THE COPYRIGHT OF BSS Audio Ltd. ALL REPRODUCTION AND COPYING, OTHER THAN THAT FOR LICENCED MANUFACTURES OWN INTERNAL USE, OR DISCLOSURE OF PART OR WHOLE TO A THIRD PARTY WITHOUT PRIOR WRITTEN AUTHORISATION IS IN VIOLATION OF THE COPYRIGHT.
© BSS Audio Ltd 2001



TO DISPLAY

CN15

ANY COMPONENT BEARING THIS MARK IS SAFETY CRITICAL PLEASE REFER TO SERVICE MANUAL

DRAWING NUMBER ISSUE

S-B366AS-05



HARMAN INTERNATIONAL INDUSTRIES LIMITED
CRANBORNE HOUSE
CRANBORNE ROAD
POTTERS BAR
HERTS
EN6 3JN

BSS Audio. Tel 01707 660667
Fax 01707 660755

TITLE: AES / EBU & COMMS

SHEET 10 OF 10

FILENAME: S-B366AS-05.SCH

DRAWN: AW

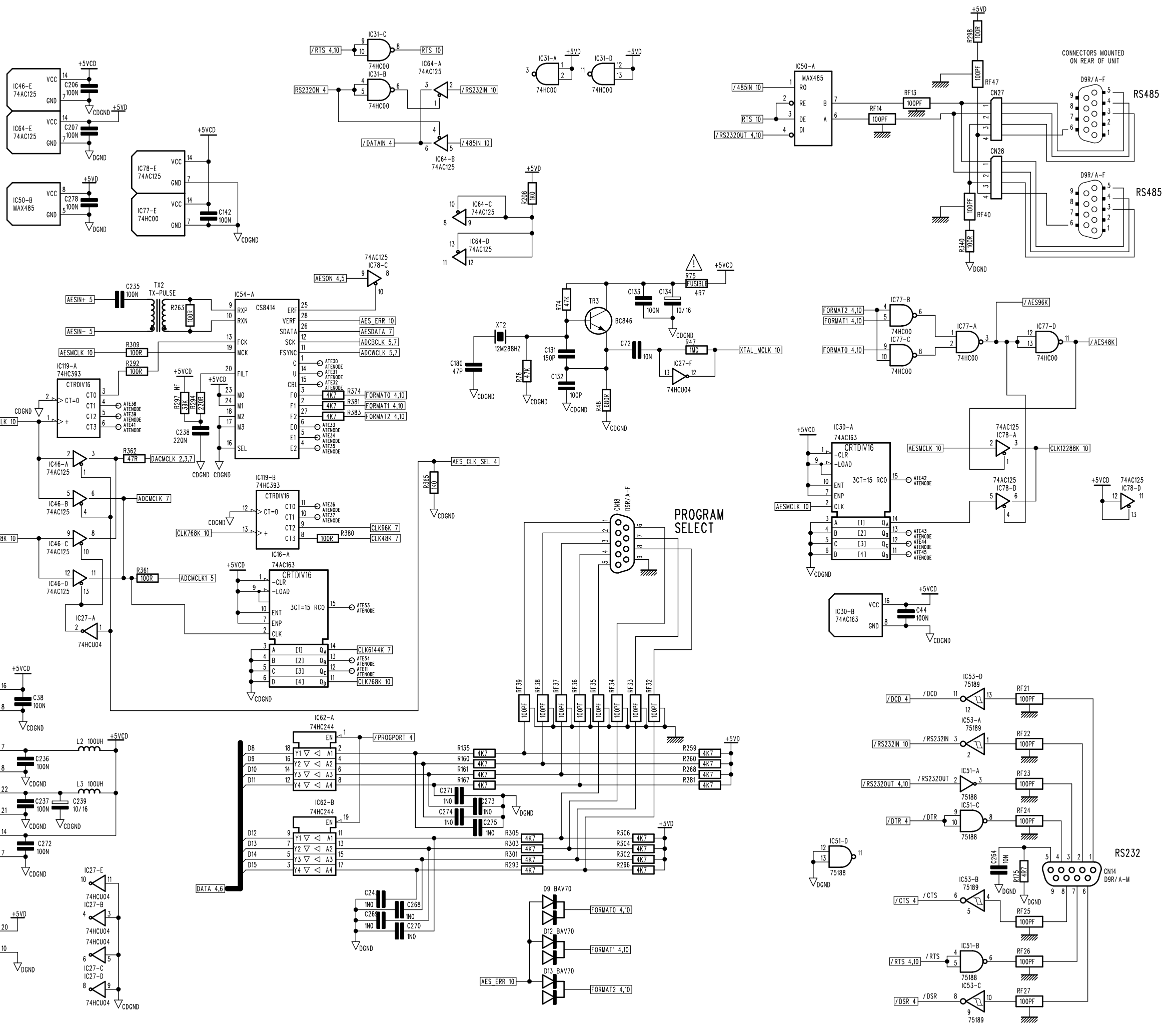
DATE: 26-02-99

CHECKED:

MATERIAL:

FINISH:

ISSUE COMMENTS:



THIS DRAWING IS THE COPYRIGHT OF BSS Audio Ltd. ALL REPRODUCTION AND COPYING, OTHER THAN THAT FOR LICENCED MANUFACTURERS OWN INTERNAL USE, OR DISCLOSURE OF PART OR WHOLE TO A THIRD PARTY WITHOUT PRIOR WRITTEN AUTHORISATION IS IN VIOLATION OF THE COPYRIGHT. © BSS Audio Ltd 2001

DRAWING NUMBER ISSUE
S-B366BS-03



HARMAN INTERNATIONAL
 INDUSTRIES LIMITED
 CRANBORNE HOUSE
 CRANBORNE ROAD
 POTTERS BAR
 HERTS
 EN6 3JN
 Tel 01707 660667
 Fax 01707 660755

BSS Audio.

TITLE: LED PANEL

SHEET 1 OF 1

FILENAME: S-B366BS-03.SCH

DRAWN: PST

DATE: 19/02/99

CHECKED:

MATERIAL:

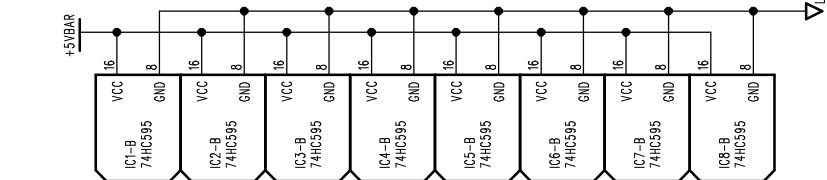
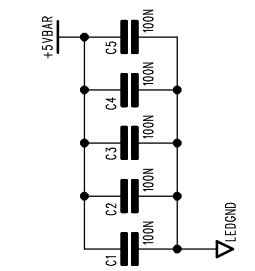
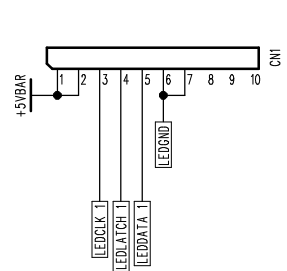
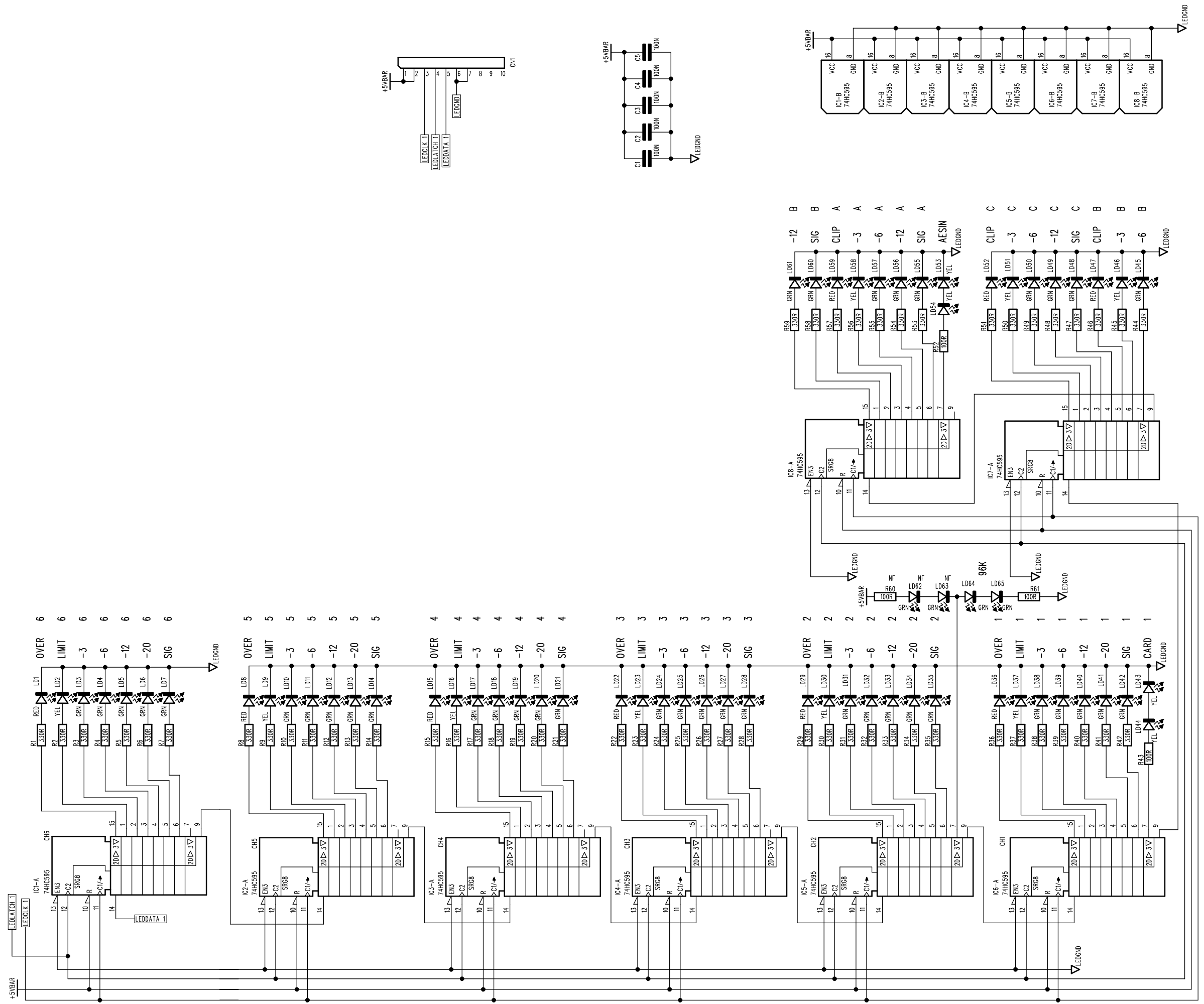
FINISH:

ISSUE COMMENTS:

1. PRE PRODUCTION RELEASE 23/02/99
2. PRODUCTION RELEASE 26/04/99
3. ECN0232 14/10/99

DRAWING No WAS 366SB-02

THIS DRAWING IS THE COPYRIGHT OF BSS Audio Ltd. ALL REPRODUCTION AND COPYING, OTHER THAN THAT FOR LICENCED MANUFACTURERS OWN INTERNAL USE, OR DISCLOSURE OF PART OR WHOLE TO A THIRD PARTY WITHOUT PRIOR WRITTEN AUTHORISATION IS IN VIOLATION OF THE COPYRIGHT.
 © BSS Audio Ltd 1994



DRAWING NUMBER ISSUE

S-B366CS-02



HARMAN INTERNATIONAL INDUSTRIES LIMITED
CRANBORNE HOUSE
CRANBORNE ROAD
POTTERS BAR
HERTS
EN6 3JN

BSS Audio. Tel 01707 660667
Fax 01707 660755

TITLE: UPPER SWITCH BOARD

SHEET 1 OF 1

FILENAME: S-B366CS-02.SCH

DRAWN: PST

DATE: 29/04/99

CHECKED:

MATERIAL:

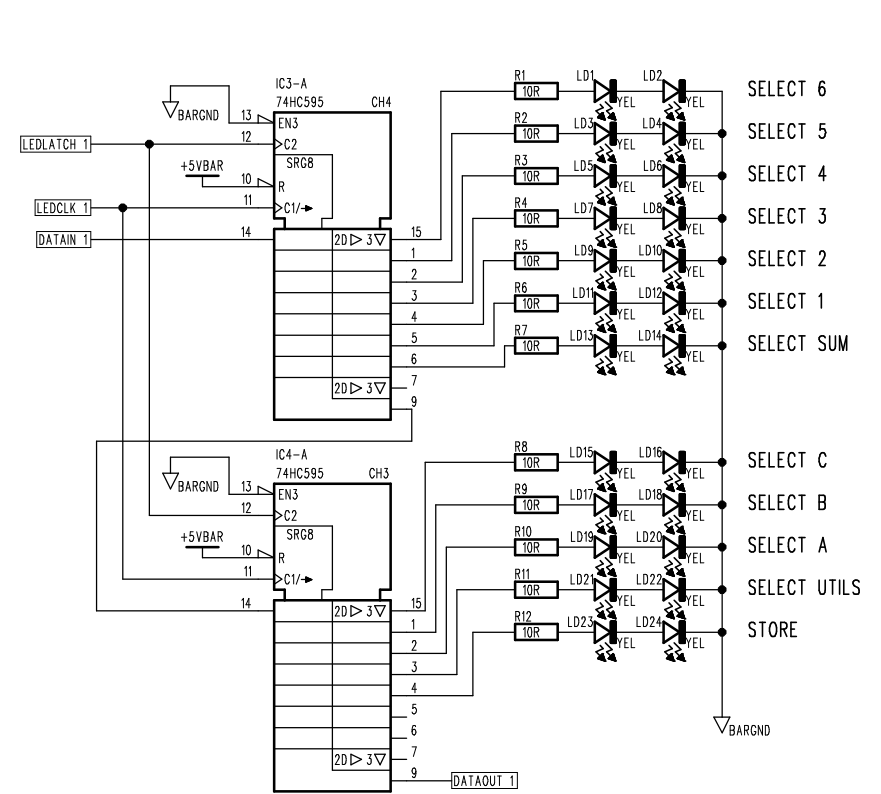
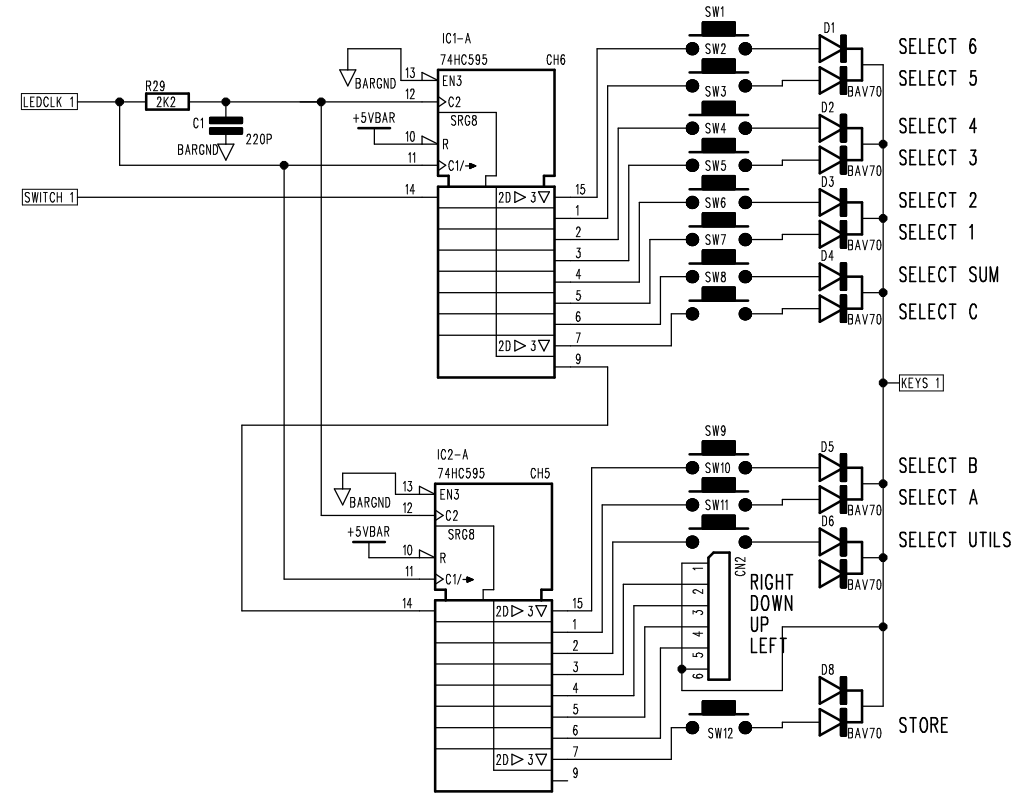
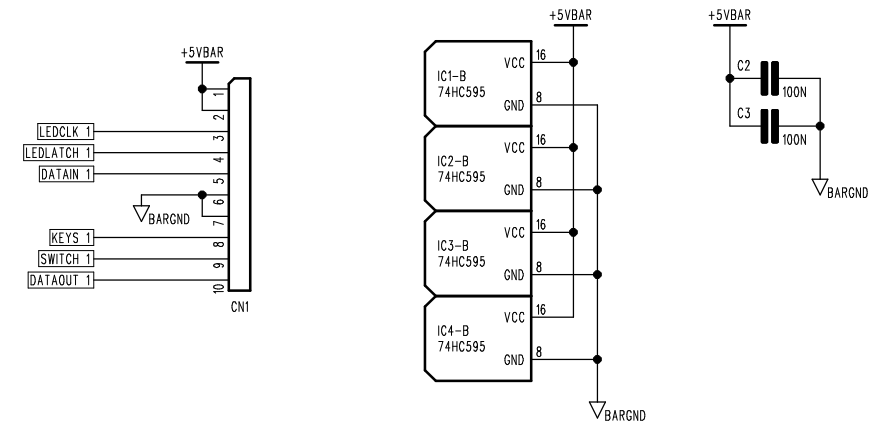
FINISH:

ISSUE COMMENTS:

- 1. PRE PRODUCTION RELEASE 23/02/99
- 2. PRODUCTION RELEASE 26/04/99

DRAWING No WAS 366SC-02.

THIS DRAWING IS THE COPYRIGHT OF BSS Audio Ltd. ALL REPRODUCTION AND COPYING, OTHER THAN THAT FOR LICENCED MANUFACTURES OWN INTERNAL USE, OR DISCLOSURE OF PART OR WHOLE TO A THIRD PARTY WITHOUT PRIOR WRITTEN AUTHORISATION IS IN VIOLATION OF THE COPYRIGHT. © BSS Audio Ltd 1994



DRAWING NUMBER ISSUE

S-B366DS-03



HARMAN INTERNATIONAL
INDUSTRIES LIMITED
CRANBORNE HOUSE
CRANBORNE ROAD
POTTERS BAR
HERTS
EN6 3JN

BSS Audio. Tel 01707 660667
Fax 01707 660755

TITLE: FRONT PANEL MODULE

SHEET 1 OF 1

FILENAME: S-B366DS-03.SCH

DRAWN: PST

DATE: 29/04/99

CHECKED:

MATERIAL:

FINISH:

ISSUE COMMENTS:

1. PRE PRODUCTION RELEASE 23/02/99
2. PRODUCTION RELEASE 26/04/99
3. ECN0281 19/01/00

DRAWING No WAS 366SD-02.

THIS DRAWING IS THE COPYRIGHT OF BSS Audio Ltd. ALL REPRODUCTION AND COPYING, OTHER THAN THAT FOR LICENCED MANUFACTURES OWN INTERNAL USE, OR DISCLOSURE OF PART OR WHOLE TO A THIRD PARTY WITHOUT PRIOR WRITTEN AUTHORISATION IS IN VIOLATION OF THE COPYRIGHT.
© BSS Audio Ltd 1994

