

DRAWING NUMBER ISSUE
S-B388CS-05

BSS HARMAN INTERNATIONAL INDUSTRIES LIMITED
 CRANBORNE HOUSE
 POTTERS BAR
 HERTS
 EN9 3JN
BSS Audio Ltd. Tel 01707 660667
 Fax 01707 660755

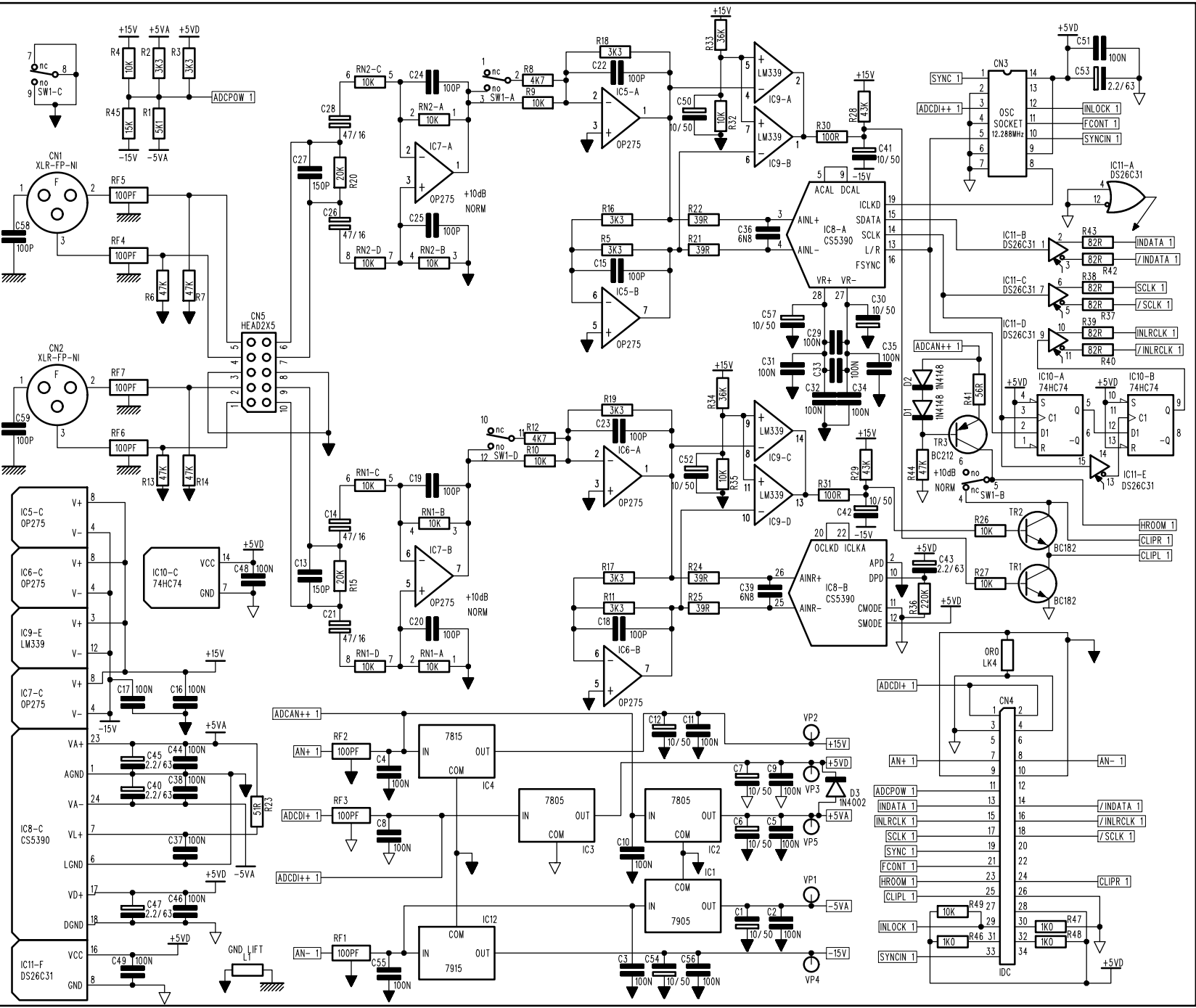
TITLE: 388 ADC BOARD
 FILENAME: S-B388CS-05.SCH
 DRAWN BY: Lam/TJR
 DATE: 13-10-95
 CHECKED:
 LAYERS: SHT 1 of 1

ISSUE DETAILS
 1. OP275'S WERE NE5532'S
 3A. ECN5710 - C30,57 WERE 220/10
 4. ECN5893-R46,47,48,49 ADDED
 C58,59 WERE 100P
 05. UPDATED TO NEW PART NUMBER

DRAWING No WAS 388SC-04.
 DIMENSIONS:
 MATERIALS:
 FINISH:
 ARTWORK:

NOTES

THIS DRAWING IS THE COPYRIGHT OF BSS Audio Ltd. ALL REPRODUCTION AND COPYING, OTHER THAN THAT FOR LICENCED MANUFACTURERS OWN INTERNAL USE, OR DISCLOSURE OF PART OR WHOLE TO A THIRD PARTY WITHOUT PRIOR WRITTEN AUTHORISATION IS IN VIOLATION OF THE COPYRIGHT.
 © BSS Audio Ltd 1995



DRAWING NUMBER ISSUE
S-B388ES-04

BSS HARMAN INTERNATIONAL INDUSTRIES LIMITED
 CRANBORNE HOUSE
 POTTERS BAR
 HERTS
 EN6 3JN
 BSS Audio Ltd. Tel 01707 660667
 Fax 01707 660755

TITLE: DAC BOARD

SHEET 1 of 4

FILENAME: S-B388ES-04.SCH

DRAWN: PSB/TJR

DATE: 10-07-95

CHECKED:

MATERIAL:

FINISH:

ISSUE COMMENTS:

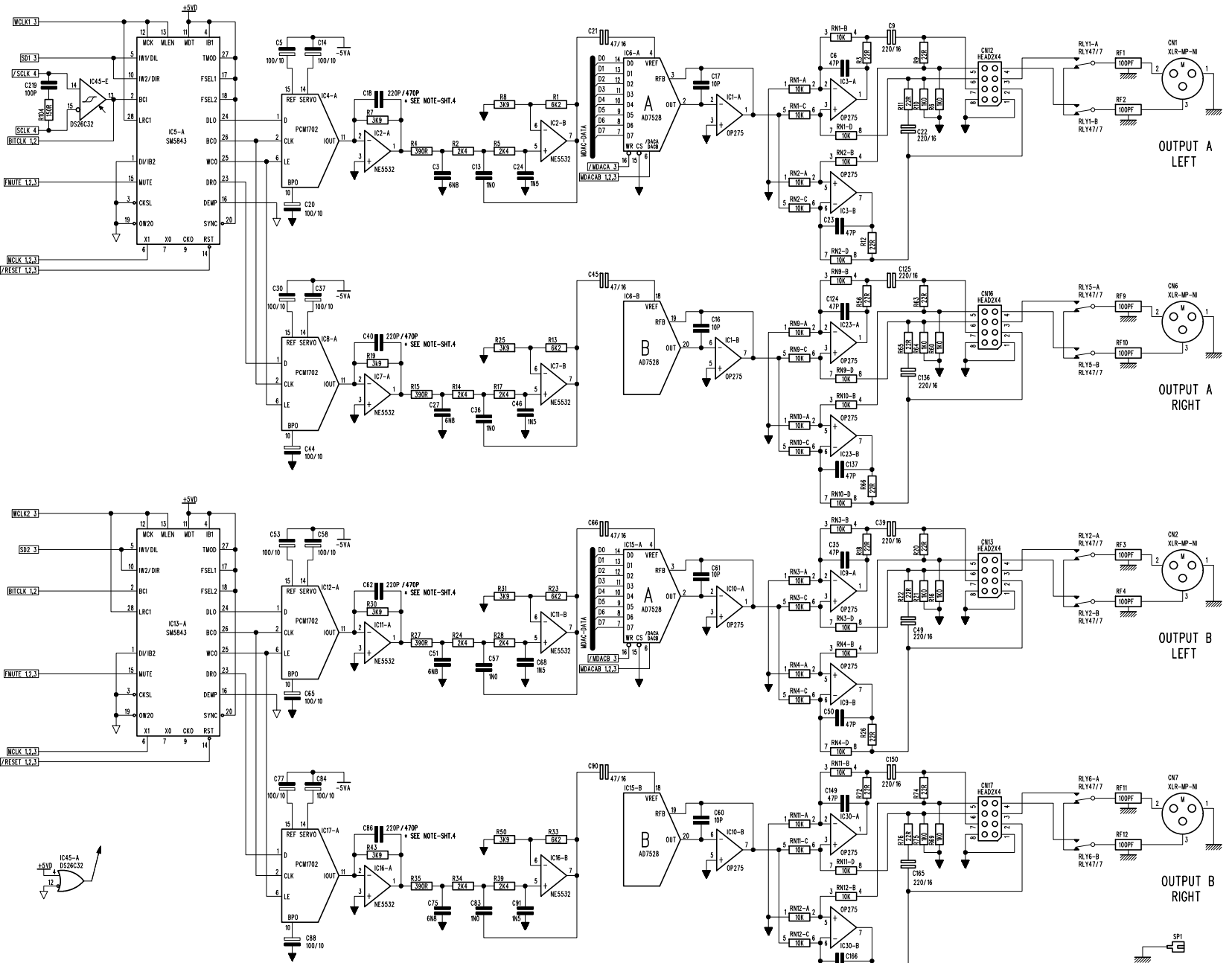
ISSUE 2a. SEE DCM1533
 ON "OUTPUT A LEFT"
 R9 & 11 WERE 47R
 R6 & 10 WERE 2K
 TYPICAL ON ALL CHANNELS

ISSUE 2b. SEE ECN 5659
 C18,40,62,86,112,134,156 & 178
 VALUE TO BE 470P WHEN ASSEMBLED
 FOR LMS 700.

04. DRAWING No UPDATED

DRAWING No WAS 388SE-03.

THIS DRAWING IS THE COPYRIGHT OF BSS Audio Ltd. ALL REPRODUCTION AND COPYING, OTHER THAN THAT FOR LICENCED MANUFACTURES OWN INTERNAL USE, OR DISCLOSURE OF PART OR WHOLE TO A THIRD PARTY WITHOUT PRIOR WRITTEN AUTHORISATION IS IN VIOLATION OF THE COPYRIGHT.
 © BSS Audio Ltd 1994



DRAWING NUMBER ISSUE
S-B388ES-04

BSS
 HARMAN INTERNATIONAL
 INDUSTRIES LIMITED
 CRANBORNE HOUSE
 POTTERS BAR
 HERTS
 EN6 3JN
 BSS Audio Ltd. Tel 01707 660667
 Fax 01707 660755

TITLE: DAC BOARD

SHEET 2 of 4

FILENAME: S-B388ES-04.SCH

DRAWN: PSB/TJR

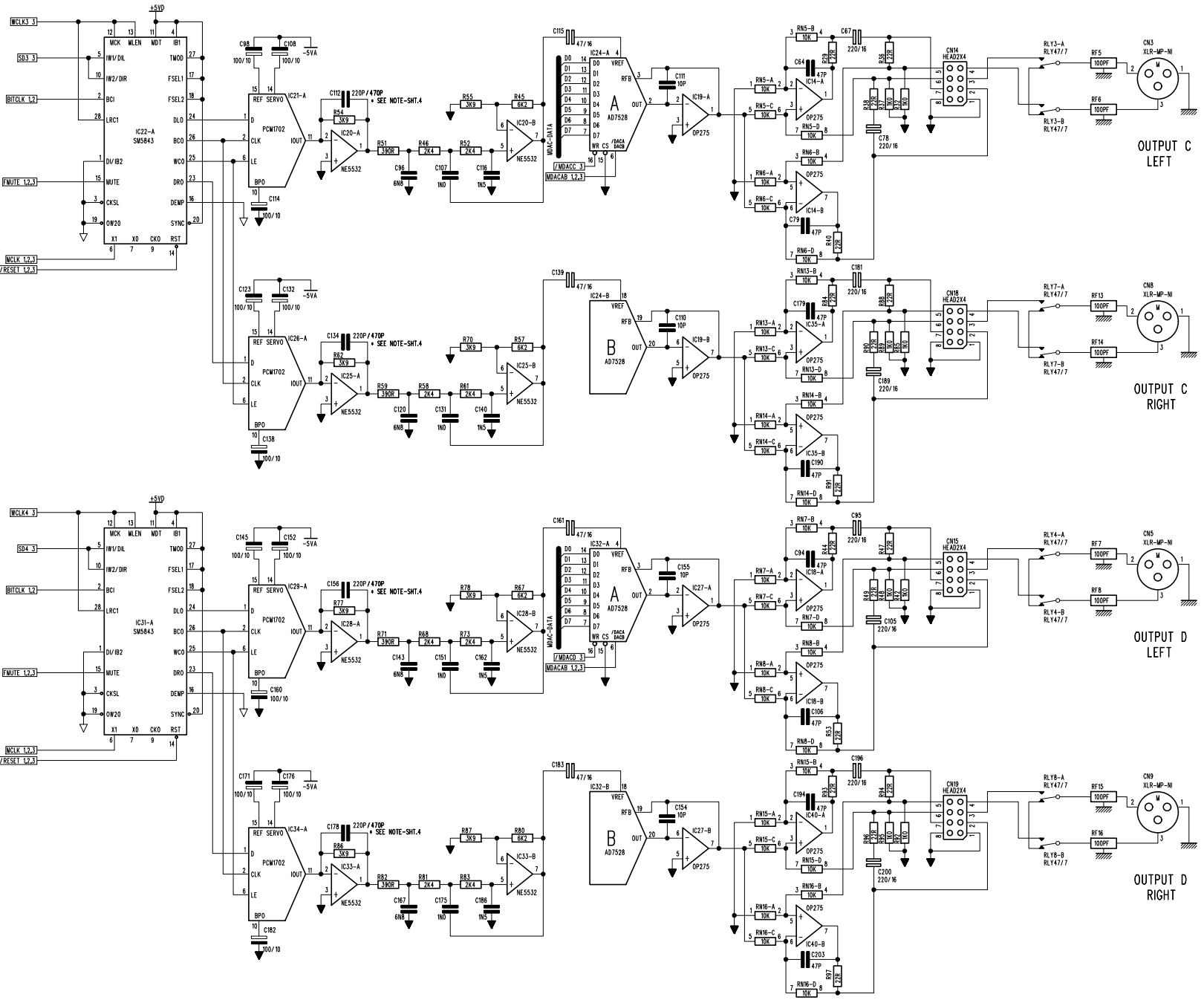
DATE: 10-07-95

CHECKED:

MATERIAL:

FINISH:

ISSUE COMMENTS:



THIS DRAWING IS THE COPYRIGHT OF BSS Audio Ltd. ALL REPRODUCTION AND COPYING, OTHER THAN THAT FOR LICENCED MANUFACTURES OWN INTERNAL USE, OR DISCLOSURE OF PART OR WHOLE TO A THIRD PARTY WITHOUT PRIOR WRITTEN AUTHORISATION IS IN VIOLATION OF THE COPYRIGHT. © BSS Audio Ltd 1994

DRAWING NUMBER ISSUE

S-B388EBS-03



HARMAN INTERNATIONAL
INDUSTRIES LIMITED
CRANBORNE HOUSE
CRANBORNE ROAD
POTTERS BAR
HERTS
EN6 3JN
Tel 01707 660667
Fax 01707 660755

BSS Audio Ltd.

TITLE : GENERAL PURPOSE 5 PIN XLR BOARD

FILENAME : S-B388EBS-03.SCH

DRAWN BY : PST

DATE : 27-7-94

CHECKED :

LAYERS : SHT 1 OF 1

ISSUE DETAILS

DRAWING No WAS 388SEB-03.

DIMENSIONS :

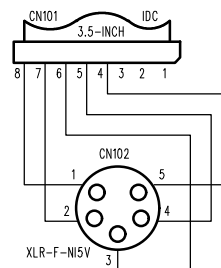
MATERIALS :

FINISH :

ARTWORK :

NOTES

THIS DRAWING IS THE COPYRIGHT OF BSS Audio Ltd. ALL REPRODUCTION AND COPYING, OTHER THAN THAT FOR LICENCED MANUFACTURERS OWN INTERNAL USE, OR DISCLOSURE OF PART OR WHOLE TO A THIRD PARTY WITHOUT PRIOR WRITTEN AUTHORISATION IS IN VIOLATION OF THE COPYRIGHT.
© BSS Audio Ltd 1993



DRAWING NUMBER ISSUE
S-B388AS-05

BSS HARMAN INTERNATIONAL INDUSTRIES LIMITED
 CRANBORNE ROAD
 POTTERS BAR
 HERTS
 EN6 3JN
 BSS Audio Ltd. Tel 01707 660667
 Fax 01707 660755

TITLE: **388 DSP MAIN BOARD**

SHEET 1 of 3

FILENAME: **S-B388AS-05.SCH**

DRAWN: **AW/PST**

DATE: **25/08/98**

CHECKED:

MATERIAL:

FINISH:

ISSUE COMMENTS:

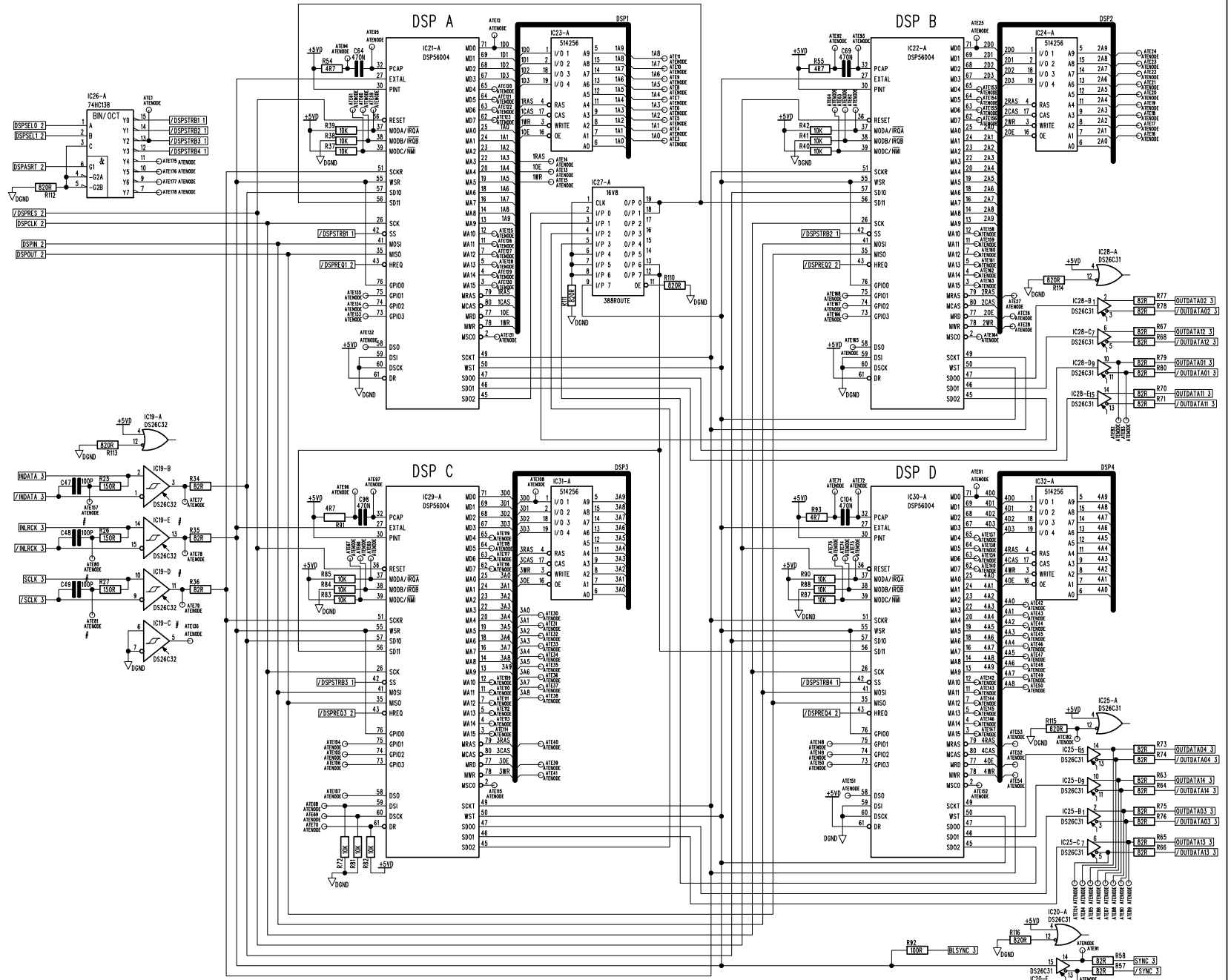
4A. ECN5939
 R15 & 18 WERE 10K AND C26 & 35
 WERE 10nF

4B. ECN0043
 LEDCLK AND LEDLATCH SWAPPED
 CLIP1 AND CLIP2 SWAPPED

5. UPDATED TO NEW PART NUMBER

DRAWING No WAS 388SA-04B.

THIS DRAWING IS THE COPYRIGHT OF BSS Audio Ltd. ALL REPRODUCTION AND COPYING, OTHER THAN THAT FOR LICENCED MANUFACTURERS OWN INTERNAL USE, OR DISCLOSURE OF PART OR WHOLE TO A THIRD PARTY WITHOUT PRIOR WRITTEN AUTHORISATION IS IN VIOLATION OF THE COPYRIGHT.
 © BSS Audio Ltd 1994



DRAWING NUMBER ISSUE
S-B388AS-05

HARMAN INTERNATIONAL INDUSTRIES LIMITED
 CRANBORNE HOUSE
 CRANBORNE ROAD
 POTTERS BAR
 HERTS
 EN6 3JN
BSS Audio Ltd. Tel 01707 660667
 Fax 01707 660755

TITLE: **388 DSP MAIN BOARD**

SHEET 2 of 3

FILENAME: **S-B388AS-05.SCH**

DRAWN: **AW/PST**

DATE: **25/08/98**

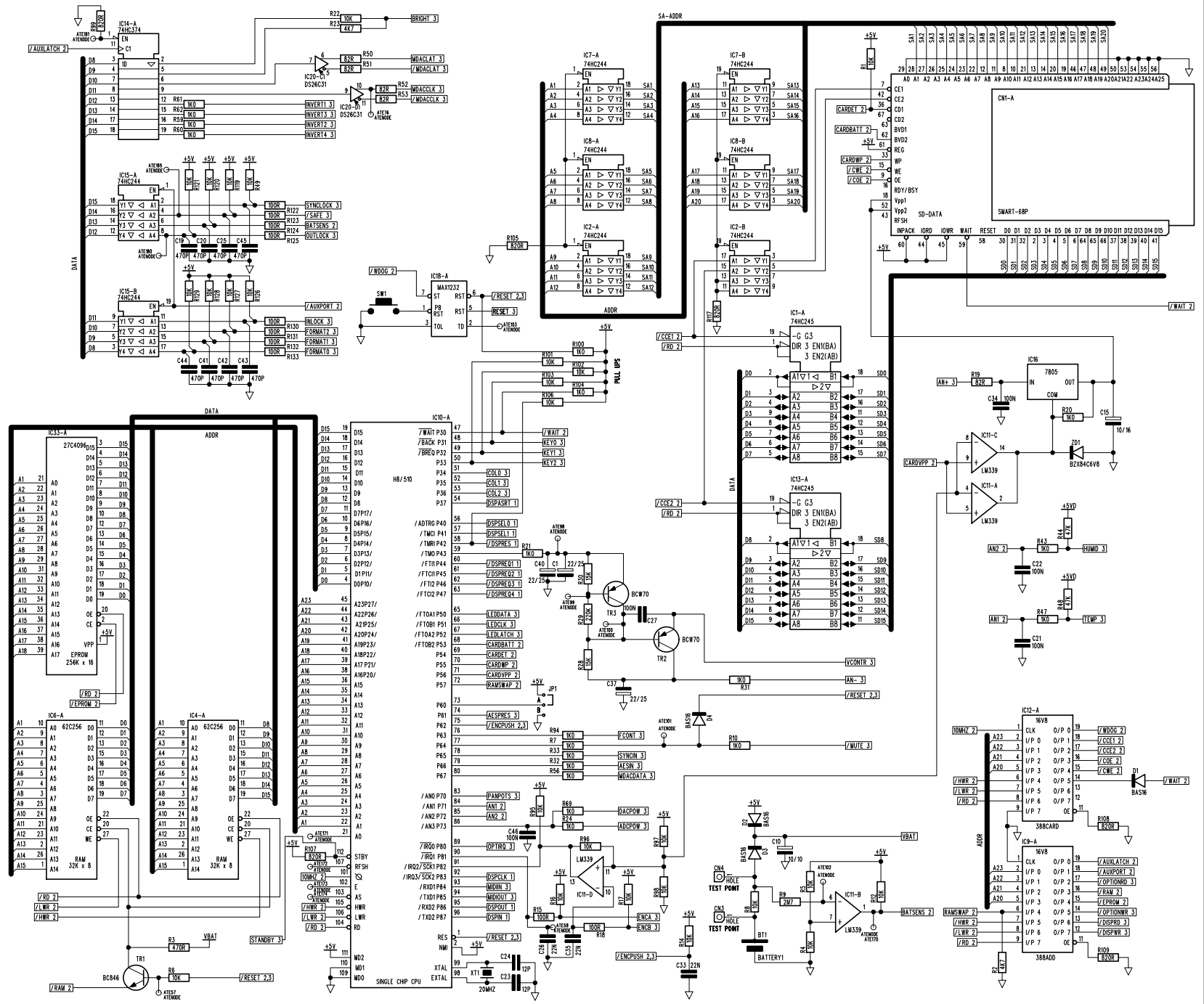
CHECKED:

MATERIAL:

FINISH:

ISSUE COMMENTS:

THIS DRAWING IS THE COPYRIGHT OF BSS Audio Ltd. ALL REPRODUCTION AND COPYING, OTHER THAN THAT FOR LICENSED MANUFACTURERS OWN INTERNAL USE, OR DISCLOSURE OF PART OR WHOLE TO A THIRD PARTY WITHOUT PRIOR WRITTEN AUTHORISATION IS IN VIOLATION OF THE COPYRIGHT.
 © BSS Audio Ltd 1994



DRAWING NUMBER ISSUE
S-B388AS-05

BSS HARMAN INTERNATIONAL INDUSTRIES LIMITED
 CRANBORNE HOUSE
 CRANBORNE ROAD
 POTTERS BAR
 HERTS
 EN6 3JN
BSS Audio Ltd. Tel 01707 660667
 Fax 01707 660755

TITLE: **388 DSP MAIN BOARD**

SHEET 3 of 3

FILENAME: **S-B388AS-05.SCH**

DRAWN: **AW/PST**

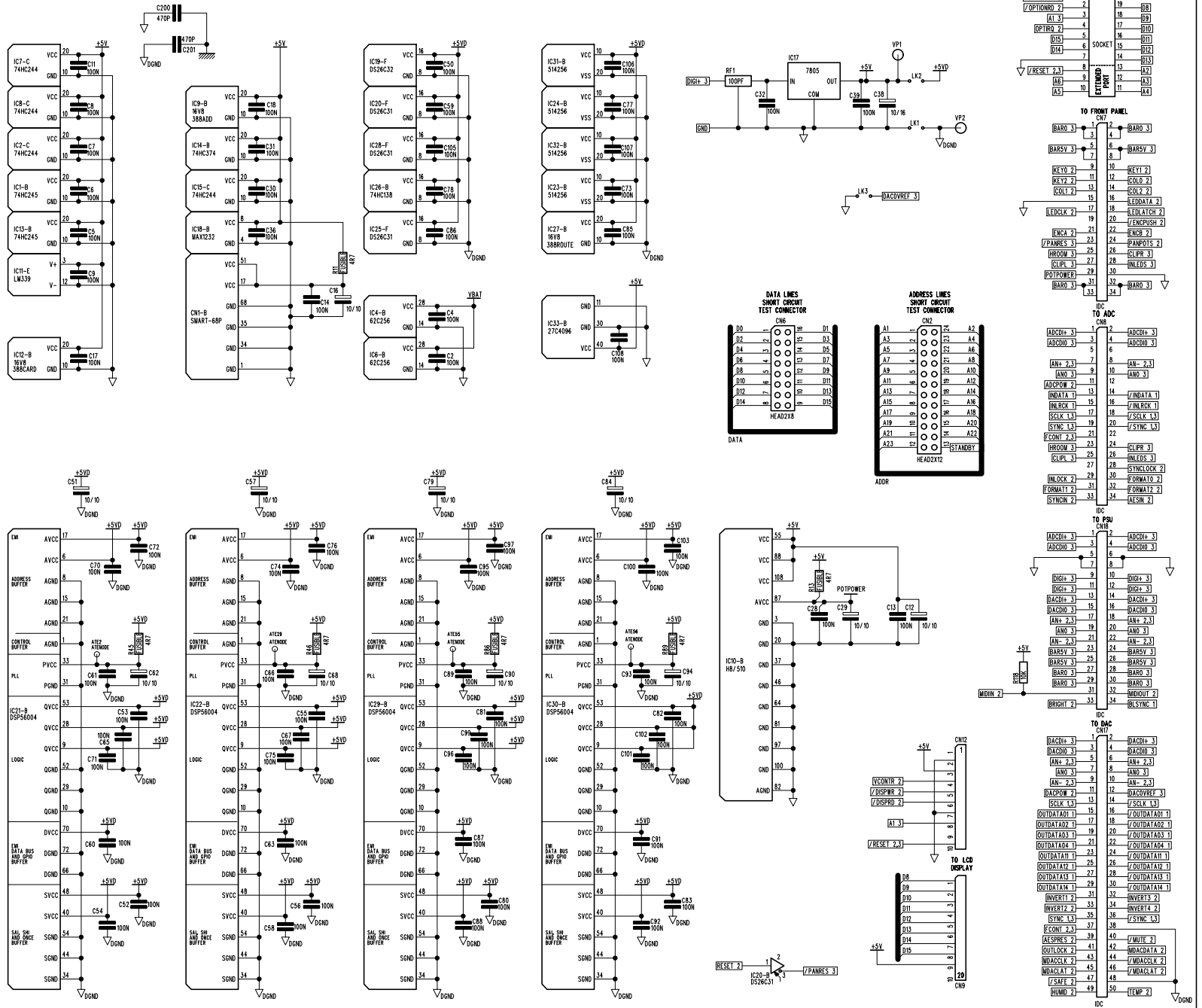
DATE: **25/08/98**

CHECKED:

MATERIAL:

FINISH:

ISSUE COMMENTS:



THIS DRAWING IS THE COPYRIGHT OF BSS Audio Ltd. ALL REPRODUCTION AND COPYING, OTHER THAN THAT FOR LICENSED MANUFACTURERS OWN INTERNAL USE, OR DISCLOSURE OF PART OR WHOLE TO A THIRD PARTY WITHOUT PRIOR WRITTEN AUTHORISATION IS IN VIOLATION OF THE COPYRIGHT. © BSS Audio Ltd 1994

DRAWING NUMBER ISSUE

S-B388BS-05



TITLE: PROGRAMMEABLE FREQUENCY DIVIDER FRONT PANEL BOARD
SHT 1 of 1

FILENAME: S-B388BS-05.SCH

DRAWN: PST

DATE: 22/1/98

CHECKED:

MATERIAL:

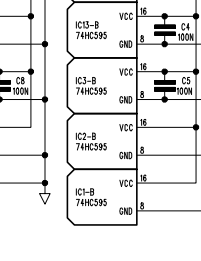
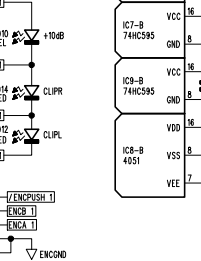
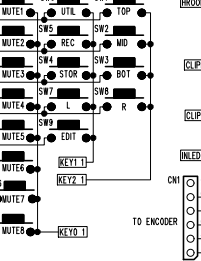
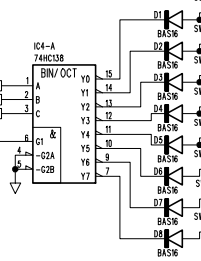
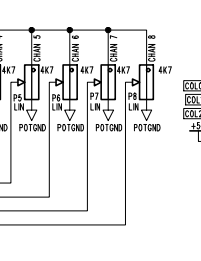
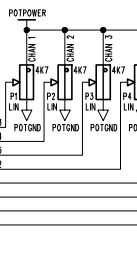
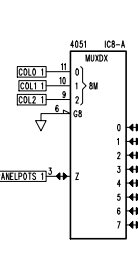
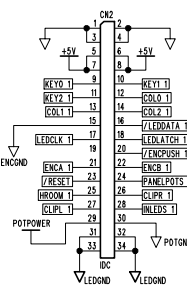
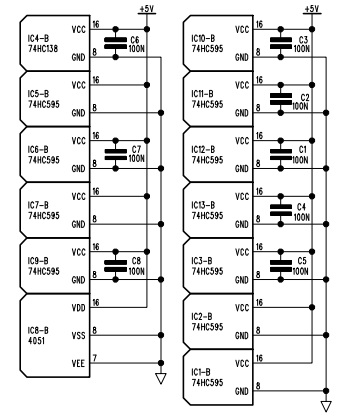
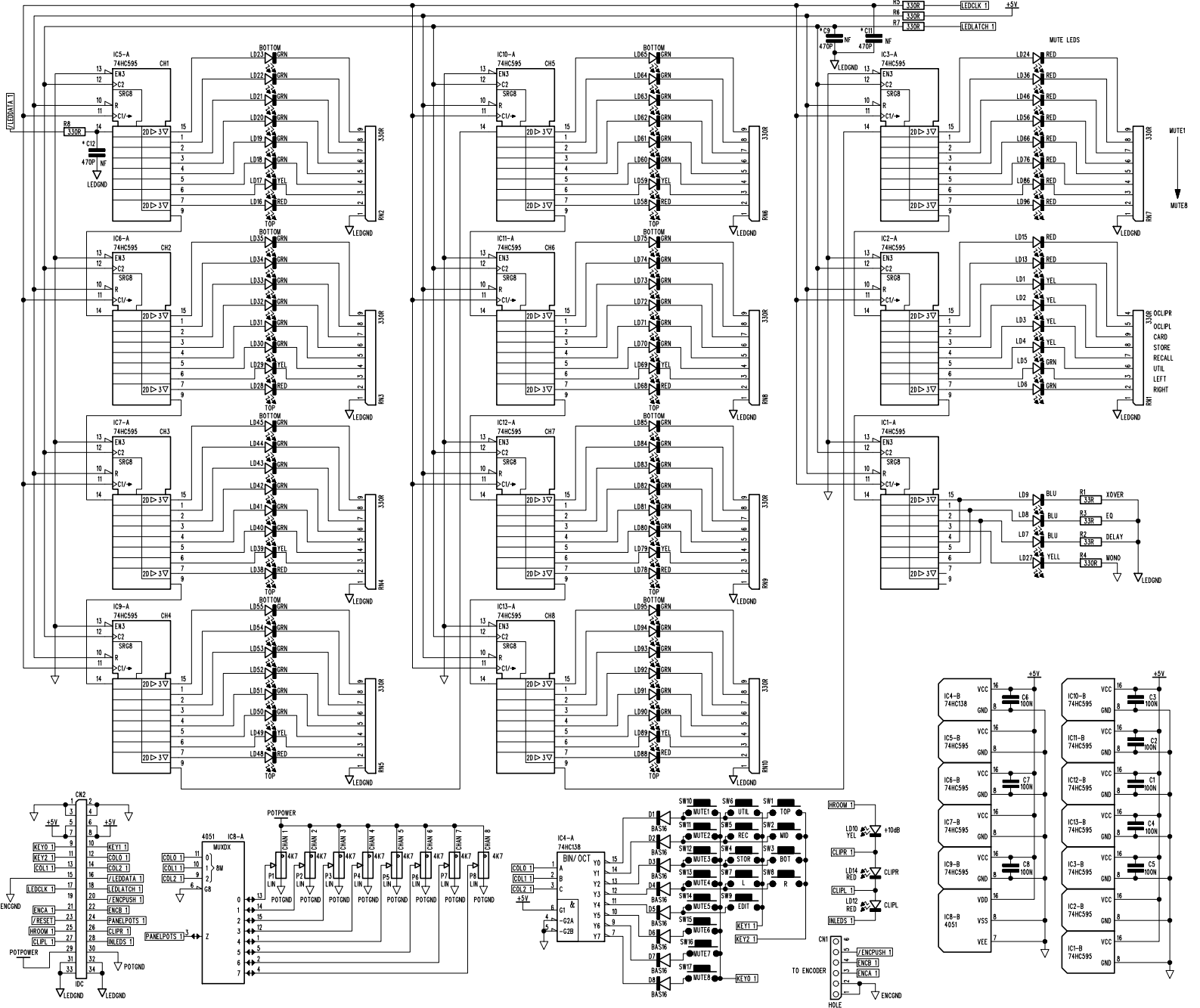
FINISH:

ISSUE COMMENTS:
04. ECN5799 - EMC MODIFICATIONS
4a. ECN6103 - NOTE "DO NOT FIT" ADDED TO C9,11,12
4B. ECN0043 LEDCLK AND LEDLATCH SWAPPED
CLIPL AND CLIPR SWAPPED
05. UPDATED TO NEW PART NO.

DRAWING No WAS 388SB-4B.

THIS DRAWING IS THE COPYRIGHT OF BSS Audio Ltd. ALL REPRODUCTION AND COPYING, OTHER THAN THAT FOR LICENCED MANUFACTURES OWN INTERNAL USE, OR DISCLOSURE OF PART OR WHOLE TO A THIRD PARTY WITHOUT PRIOR WRITTEN AUTHORISATION IS IN VIOLATION OF THE COPYRIGHT. © BSS Audio Ltd 1994

* DO NOT FIT CAPACITORS C9,11 & 12



DRAWING NUMBER ISSUE
S-B388DS-04

BSS HARMAN INTERNATIONAL INDUSTRIES LIMITED
 CRANBORNE HOUSE
 CRANBORNE ROAD
 POTTERS BAR
 HERTS
 EN6 3JN
 BSS Audio Ltd. Tel 01707 660667
 Fax 01707 660755

TITLE: 388 PSU BOARD

FILENAME: S-B388DS-04.SCH

DRAWN BY: PSB/LAM

DATE: 17-03-95

CHECKED:

LAYERS: SHEET 1 of 1

ISSUE DETAILS
 04. UPDATED STOCK No

DRAWING No WAS 388SD-03.

DIMENSIONS:

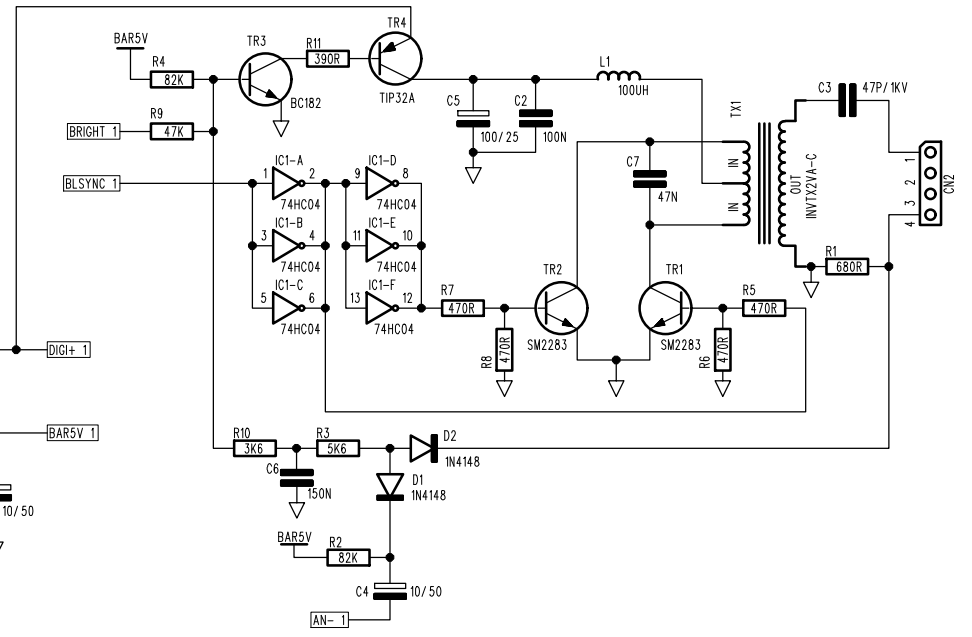
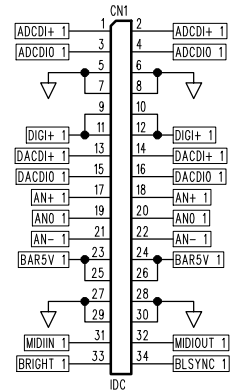
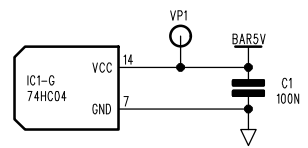
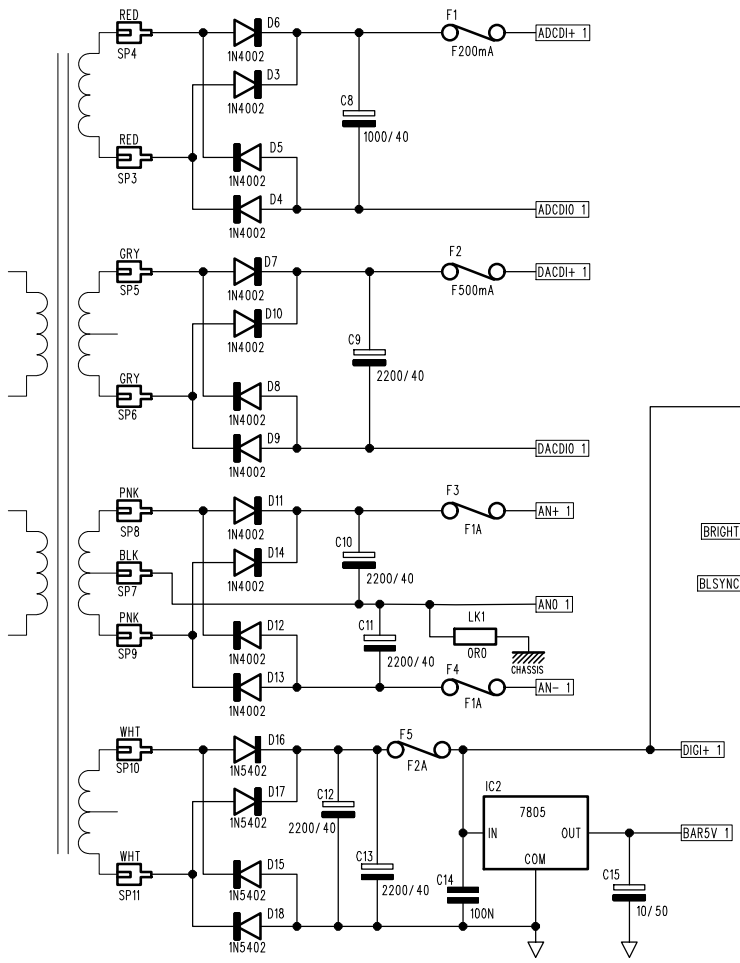
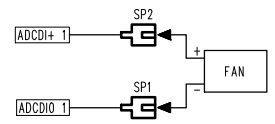
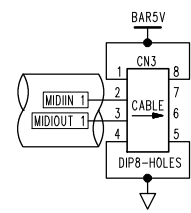
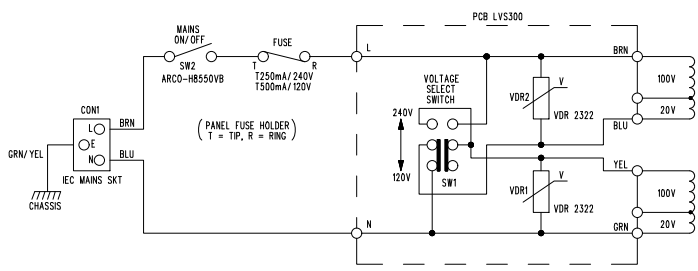
MATERIALS:

FINISH:

ARTWORK:

NOTES

THIS DRAWING IS THE COPYRIGHT OF BSS Audio Ltd. ALL REPRODUCTION AND COPYING, OTHER THAN THAT FOR LICENCED MANUFACTURERS OWN INTERNAL USE, OR DISCLOSURE OF PART OR WHOLE TO A THIRD PARTY WITHOUT PRIOR WRITTEN AUTHORISATION IS IN VIOLATION OF THE COPYRIGHT.
 © BSS Audio Ltd 1994



DRAWING NUMBER ISSUE

388SA 4B



LINKSIDE HOUSE
SUMMIT ROAD
CRANBORNE IND EST
POTTERS BAR
HERTS
EN6 3JB

BSS Audio Ltd. Tel 01707 660667
Fax 01707 660755

TITLE: 388S DSP MAIN BOARD

SHEET 1 of 3

FILENAME: 388SA4B.SCH

DRAWN: PST

DATE: 14/1/98

CHECKED:

MATERIAL:

FINISH:

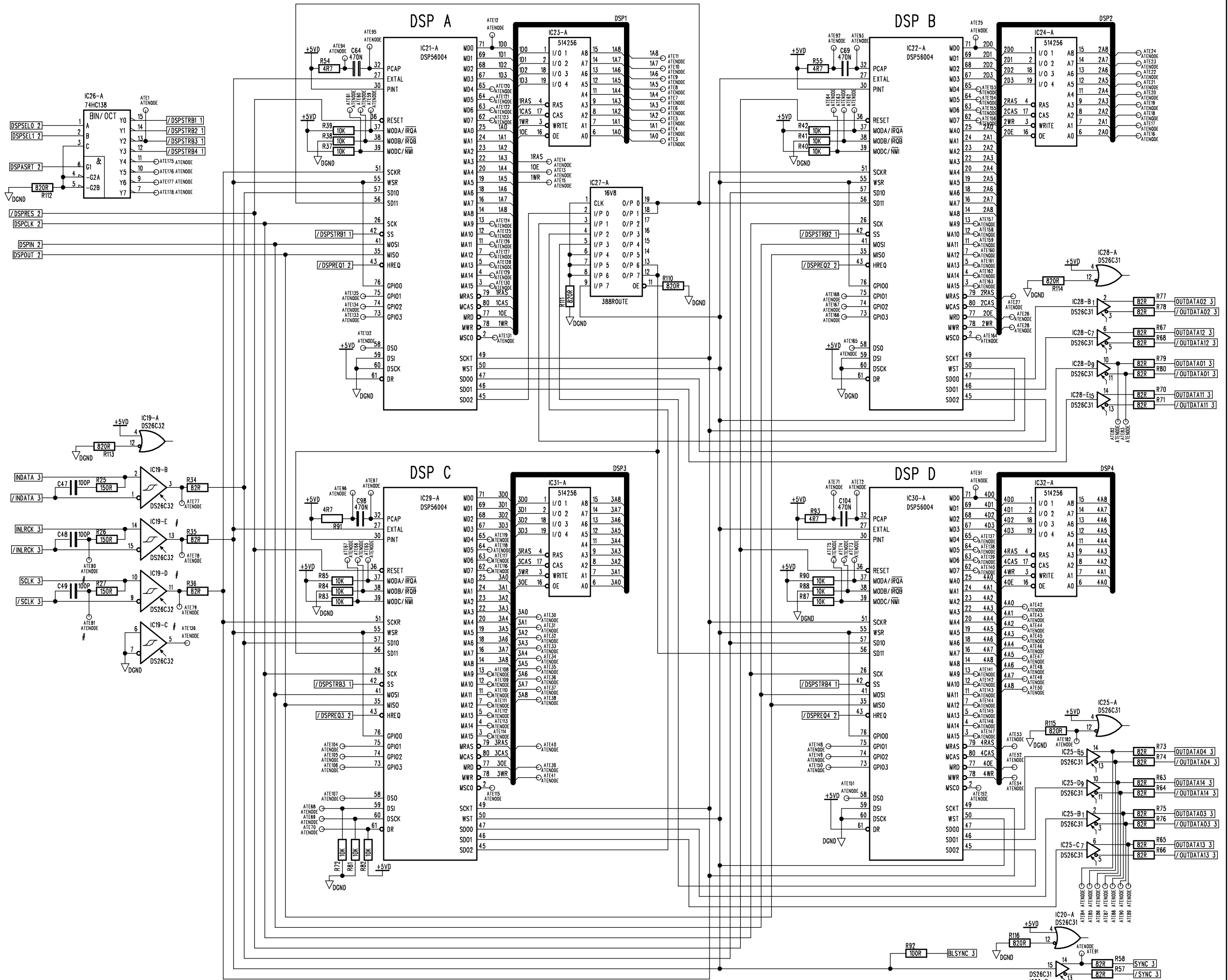
ISSUE COMMENTS:

4A. ECN5939
R15 & 18 WERE 10K AND C26 & 35
WERE 10nF

4B. ECN0043
LEDCLK AND LEDLATCH SWAPPED
CLIPL AND CLIPR SWAPPED

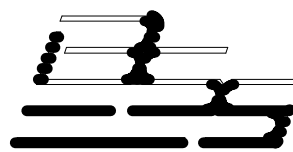
PART NUMBER:

THIS DRAWING IS THE COPYRIGHT OF BSS Audio Ltd. ALL REPRODUCTION
AND COPYING, OTHER THAN THAT FOR LICENCED MANUFACTURES OWN
INTERNAL USE, OR DISCLOSURE OF PART OR WHOLE TO A THIRD PARTY
WITHOUT PRIOR WRITTEN AUTHORISATION IS IN VIOLATION OF THE
COPYRIGHT. © BSS Audio Ltd 1994



DRAWING NUMBER ISSUE

388SA 4B



LINKSIDE HOUSE
SUMMIT ROAD
CRANBORNE IND EST
POTTERS BAR
HERTS
EN6 3JB

BSS Audio Ltd. Tel 01707 660667
Fax 01707 660755

TITLE: 388S DSP MAIN BOARD

SHEET 2 of 3

FILENAME: 388SA4B.SCH

DRAWN: PST

DATE: 14/1/98

CHECKED:

MATERIAL:

FINISH:

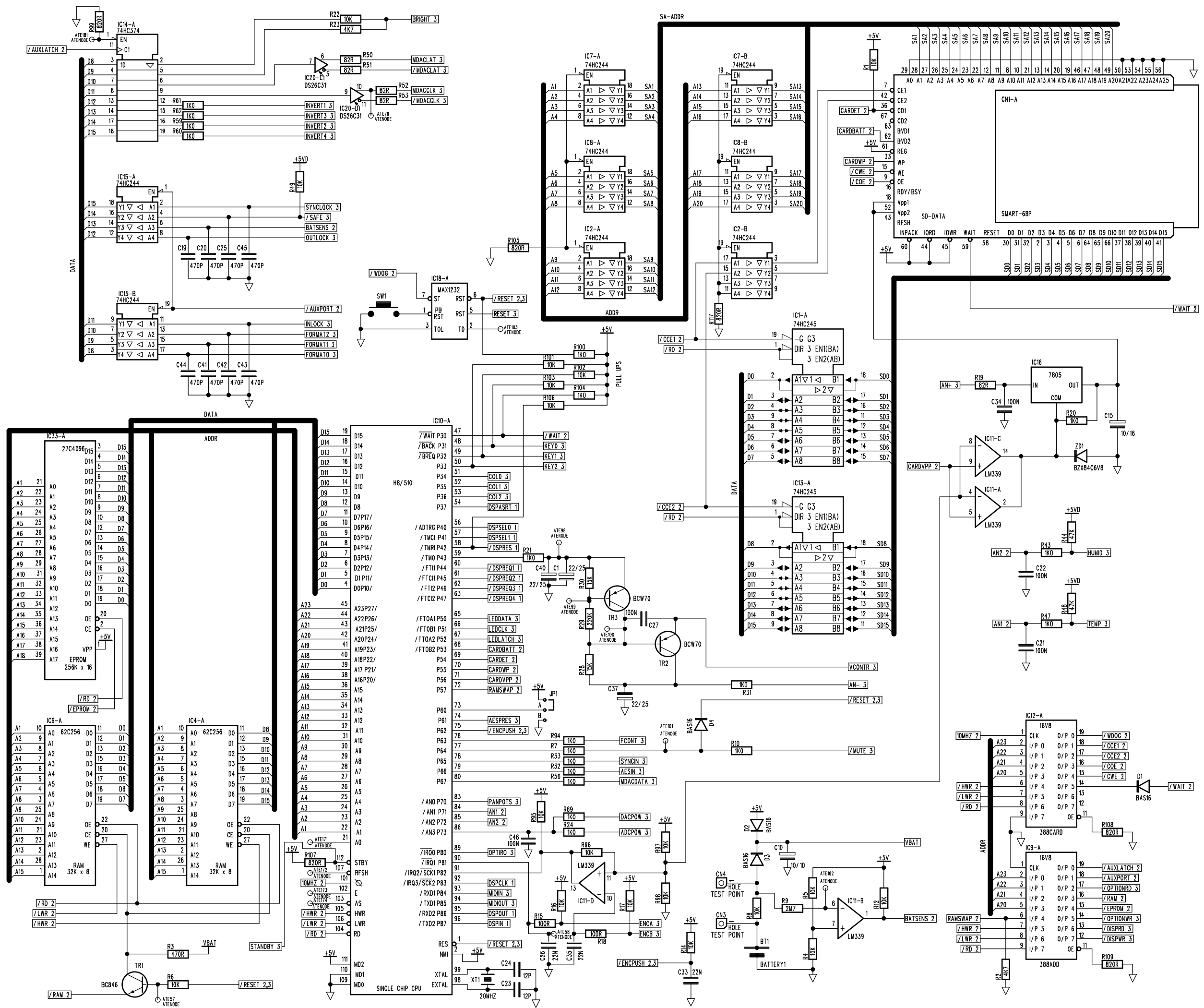
ISSUE COMMENTS:

4A. ECN5939
R15 & 18 WERE 10K AND C26 & 35
WERE 10nF

4B. ECN0043
LEDCLK AND LEDLATCH SWAPPED
CLIPL AND CLIPR SWAPPED

PART NUMBER:

THIS DRAWING IS THE COPYRIGHT OF BSS Audio Ltd. ALL REPRODUCTION
AND COPYING, OTHER THAN THAT FOR LICENCED MANUFACTURES OWN
INTERNAL USE, OR DISCLOSURE OF PART OR WHOLE TO A THIRD PARTY
WITHOUT PRIOR WRITTEN AUTHORISATION IS IN VIOLATION OF THE
COPYRIGHT. © BSS Audio Ltd 1994



DRAWING NUMBER
388SA

ISSUE
4B

LINKSIDE HOUSE
SUMMIT ROAD
CRANBORNE IND EST
POTTERS BAR
HERTS
EN6 3JB

BSS Audio Ltd. Tel 01707 660667
Fax 01707 660755

TITLE: **388S DSP MAIN BOARD**

SHEET 3 of 3

FILENAME: **388A4B.SCH**

DRAWN: **PST**

DATE: **14/1/98**

CHECKED:

MATERIAL:

FINISH:

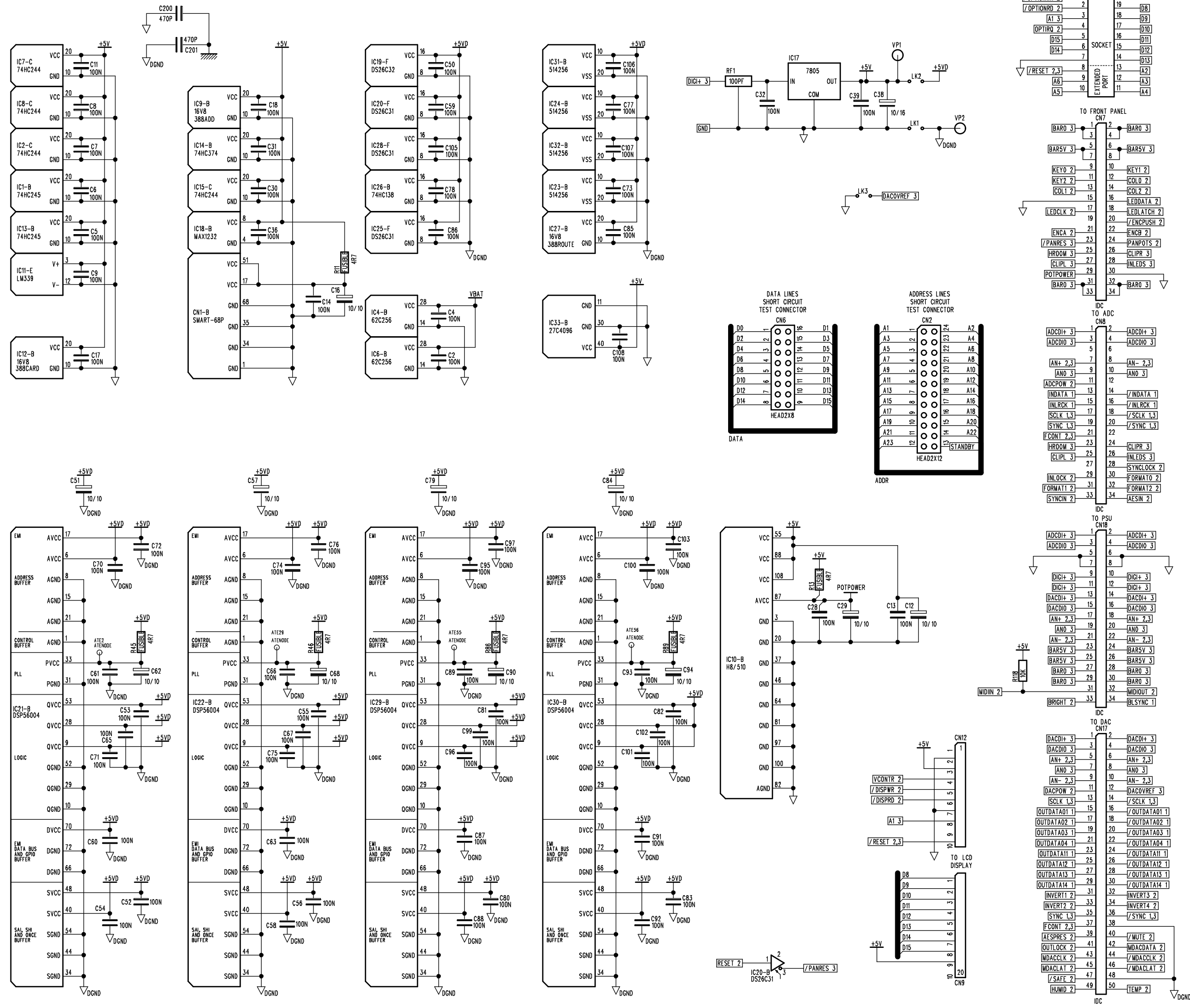
ISSUE COMMENTS:

4A. ECN5939
R15 & 18 WERE 10K AND C26 & 35 WERE 10nF

4B. ECN0043
LEDCLK AND LEDLATCH SWAPPED
CLIPL AND CLIPR SWAPPED

PART NUMBER:

THIS DRAWING IS THE COPYRIGHT OF BSS Audio Ltd. ALL REPRODUCTION AND COPYING, OTHER THAN THAT FOR LICENCED MANUFACTURERS OWN INTERNAL USE, OR DISCLOSURE OF PART OR WHOLE TO A THIRD PARTY WITHOUT PRIOR WRITTEN AUTHORISATION IS IN VIOLATION OF THE COPYRIGHT. © BSS Audio Ltd 1994



DRAWING NUMBER ISSUE

388SB 4B



LINKSIDE HOUSE
SUMMIT ROAD
CRANBOURNE IND EST
POTTERS BAR
HERTS
EN6 3JB
ENGLAND
Tel 01707 660667
Fax 01707 660755

TITLE: SHT 1 of 1
PROGRAMMEABLE FREQUENCY DIVIDER
FRONT PANEL BOARD

FILENAME: 388SB4B.SCH

DRAWN: PST

DATE: 22/1/98

CHECKED:

MATERIAL:

FINISH:

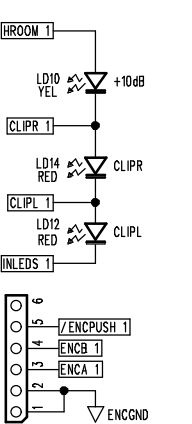
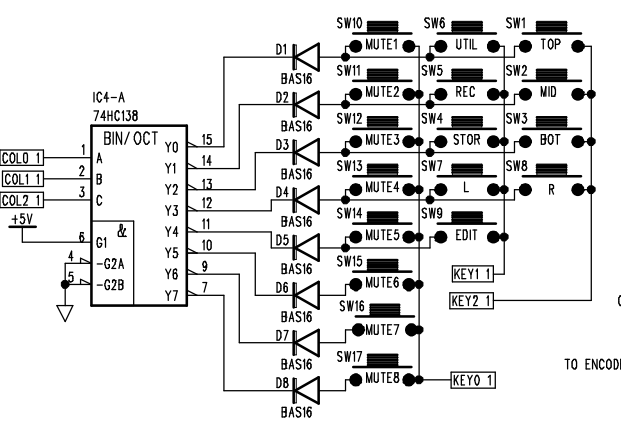
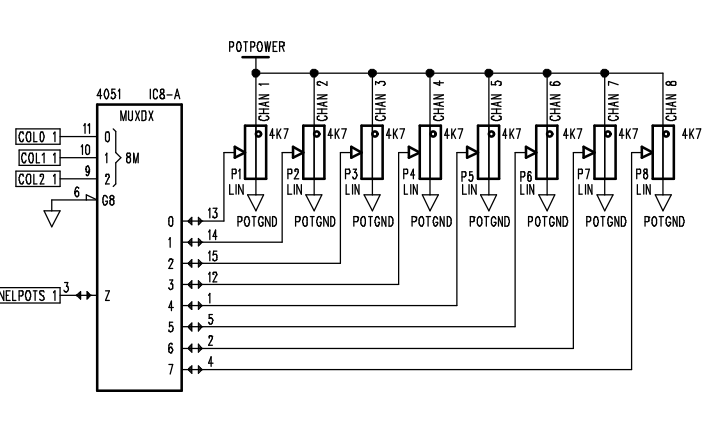
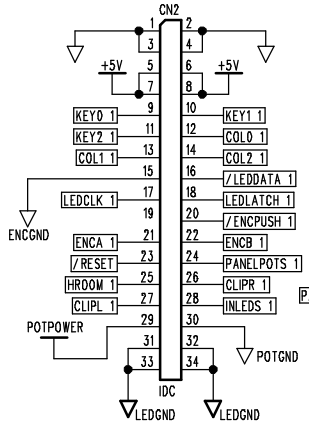
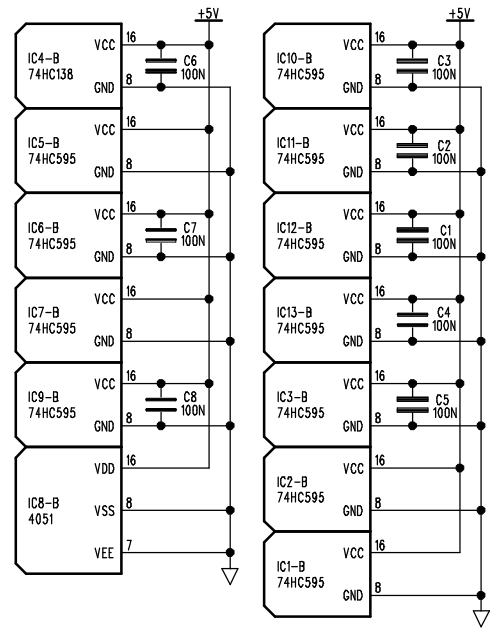
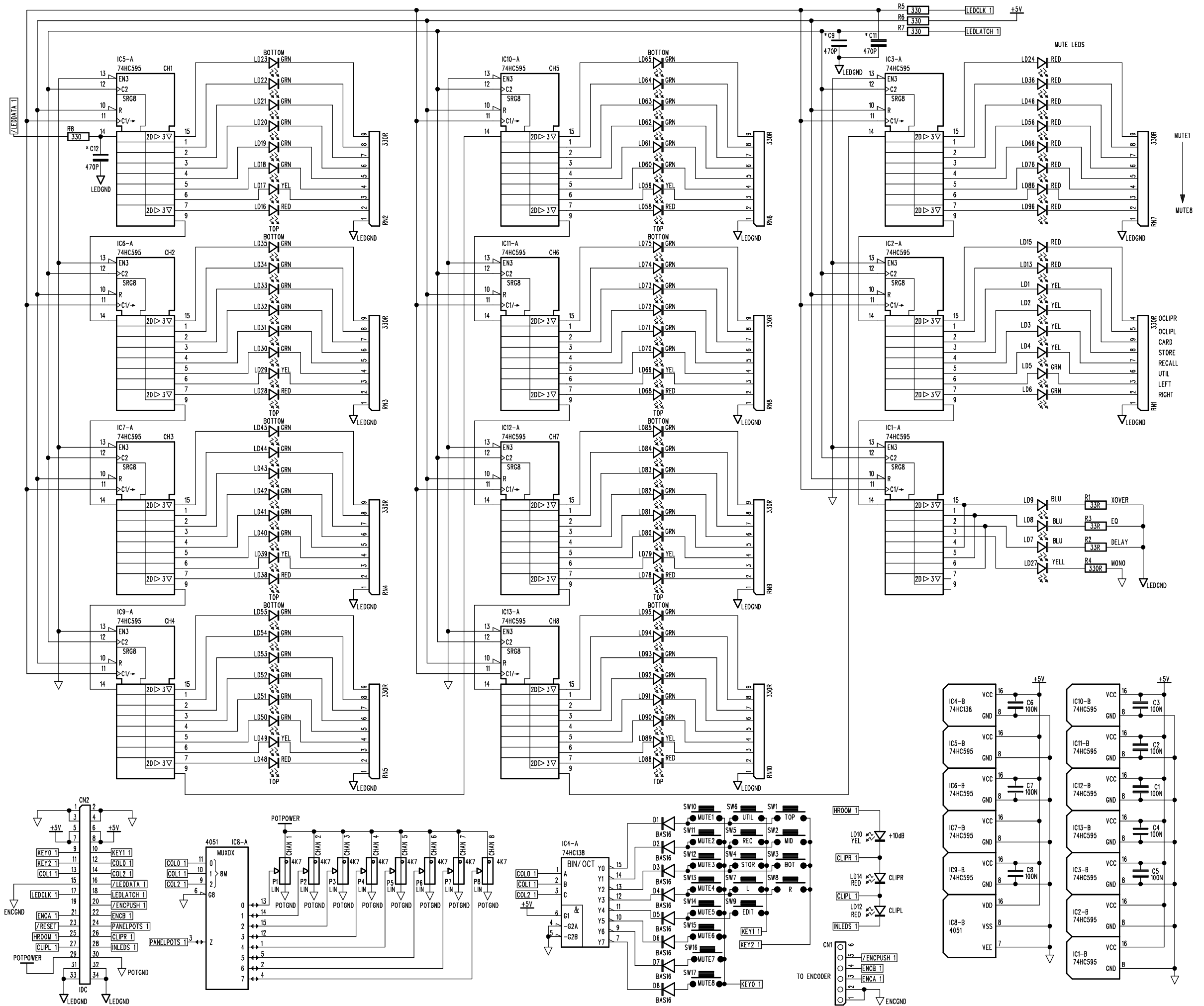
ISSUE COMMENTS:

- 4. ECN5799 - EMC MODIFICATIONS
- 4a. ECN6103 - NOTE "DO NOT FIT" ADDED TO C9,11,12
- 4B. ECN0043 LEDCLK AND LEDLATCH SWAPPED
CLIPL AND CLIPR SWAPPED

PART NUMBER:

THIS DRAWING IS THE COPYRIGHT OF BSS Audio Ltd. ALL REPRODUCTION AND COPYING, OTHER THAN THAT FOR LICENCED MANUFACTURERS OWN INTERNAL USE, OR DISCLOSURE OF PART OR WHOLE TO A THIRD PARTY WITHOUT PRIOR WRITTEN AUTHORISATION IS IN VIOLATION OF THE COPYRIGHT. © BSS Audio Ltd 1994

* DO NOT FIT CAPACITORS C9,11 & 12



DRAWING NUMBER **388SC** ISSUE **3A**



LINKSIDE HOUSE
SUMMIT ROAD
CRANBORNE IND EST
POTTERS BAR
HERTS
EN6 3JB
Tel 01707 660667
Fax 01707 660755

TITLE: **388 ADC BOARD**

FILENAME: **388SC3A.SCH**

DRAWN BY: **Lam/TJR**

DATE: **13-10-95**

CHECKED:

LAYERS: **SHT 1 of 1**

ISSUE DETAILS
3A. ECN5710 - C30,57 WERE 220/10

DIMENSIONS:

MATERIALS:

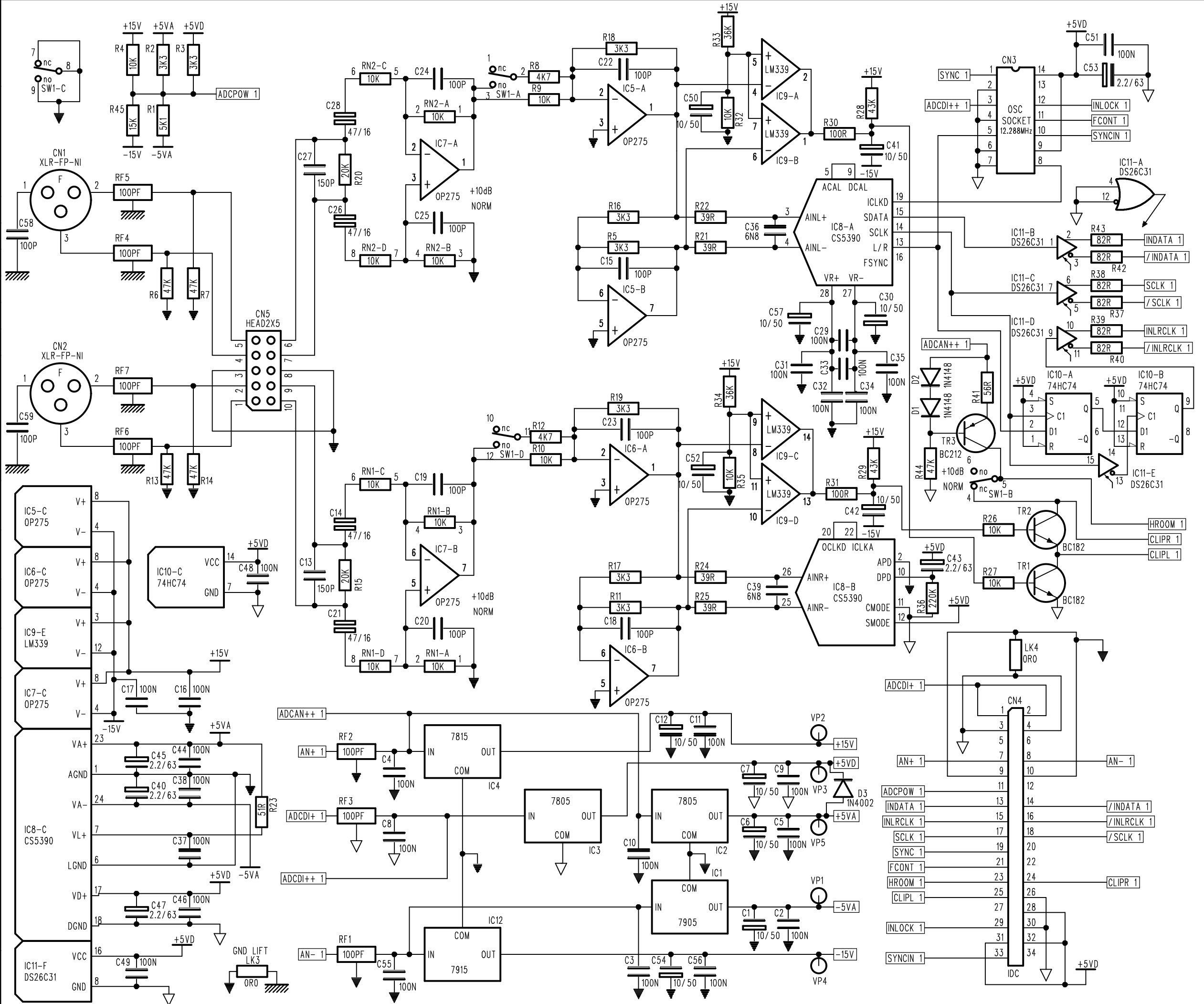
FINISH:

ARTWORK:

NOTES

- OP275'S WERE NE5532'S

THIS DRAWING IS THE COPYRIGHT OF BSS Audio Ltd. ALL REPRODUCTION AND COPYING, OTHER THAN THAT FOR LICENCED MANUFACTURES OWN INTERNAL USE, OR DISCLOSURE OF PART OR WHOLE TO A THIRD PARTY WITHOUT PRIOR WRITTEN AUTHORISATION IS IN VIOLATION OF THE COPYRIGHT. © BSS Audio Ltd 1995



DRAWING NUMBER **388SD** ISSUE **3**

BSS Audio Ltd.
 LINKSIDE HOUSE
 SUMMIT ROAD
 CRANBOURNE
 INDUSTRIAL ESTATE
 POTTERS BAR
 HERTS
 EN6 3JB
 Tel 01707 660667
 Fax 01707 660775

TITLE: **PSU BOARD**

FILENAME: **388SD3.SCH**

DRAWN BY: **PSB/Lam**

DATE: **17-03-95**

CHECKED:

LAYERS: SHEET 1 of 1

ISSUE DETAILS

DIMENSIONS:

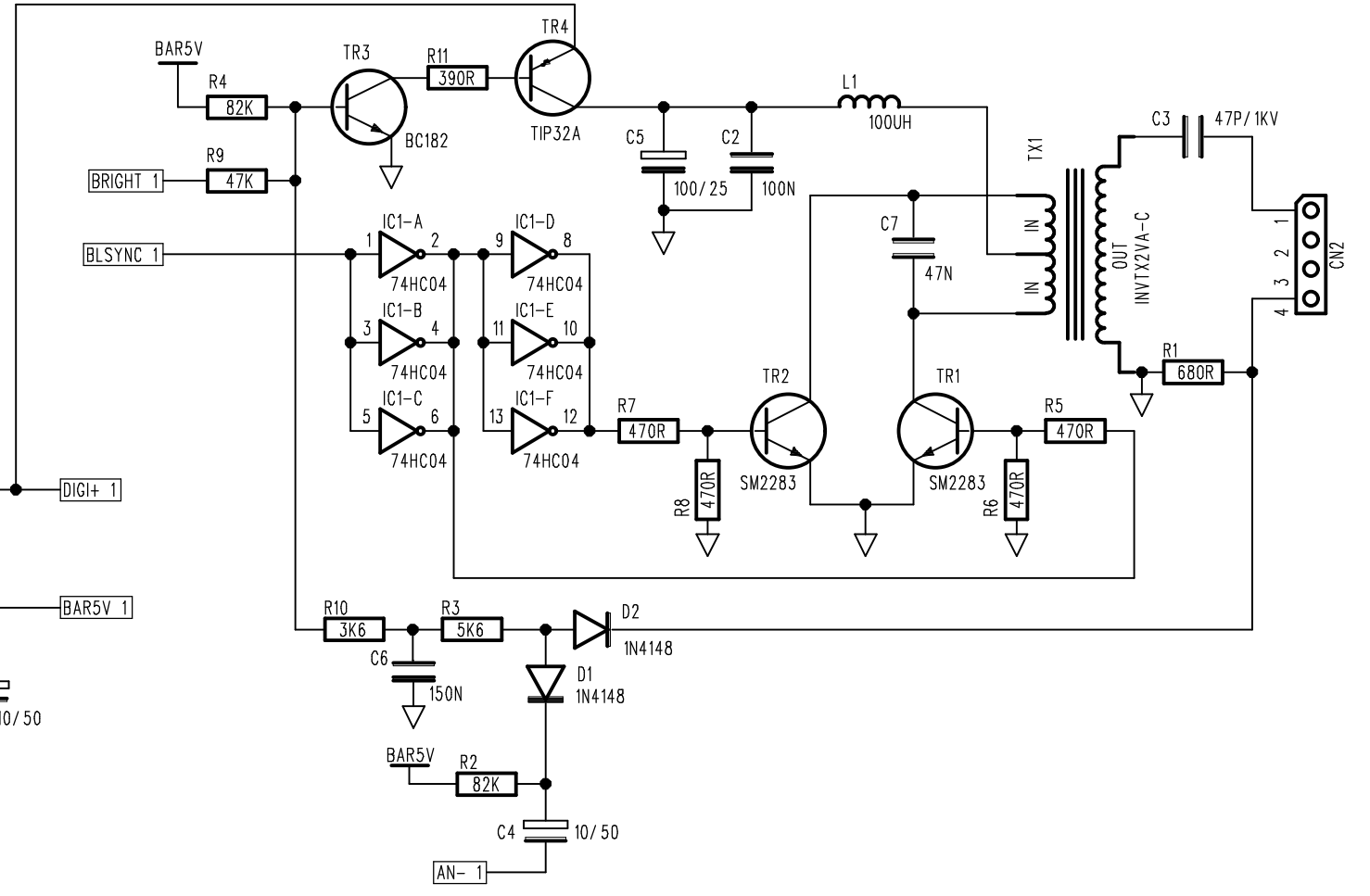
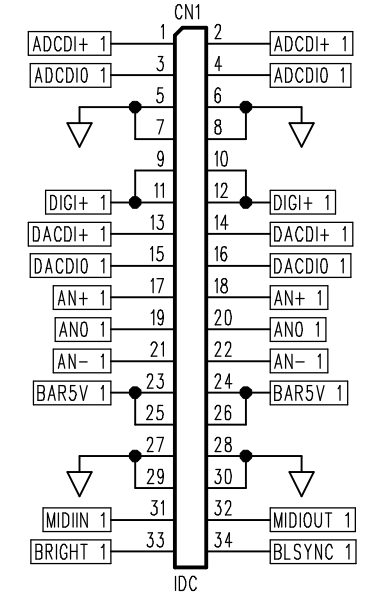
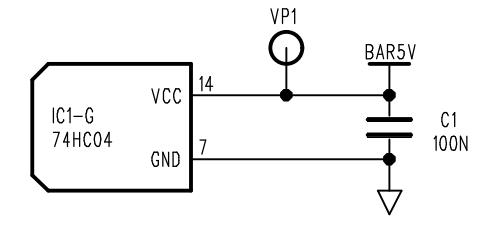
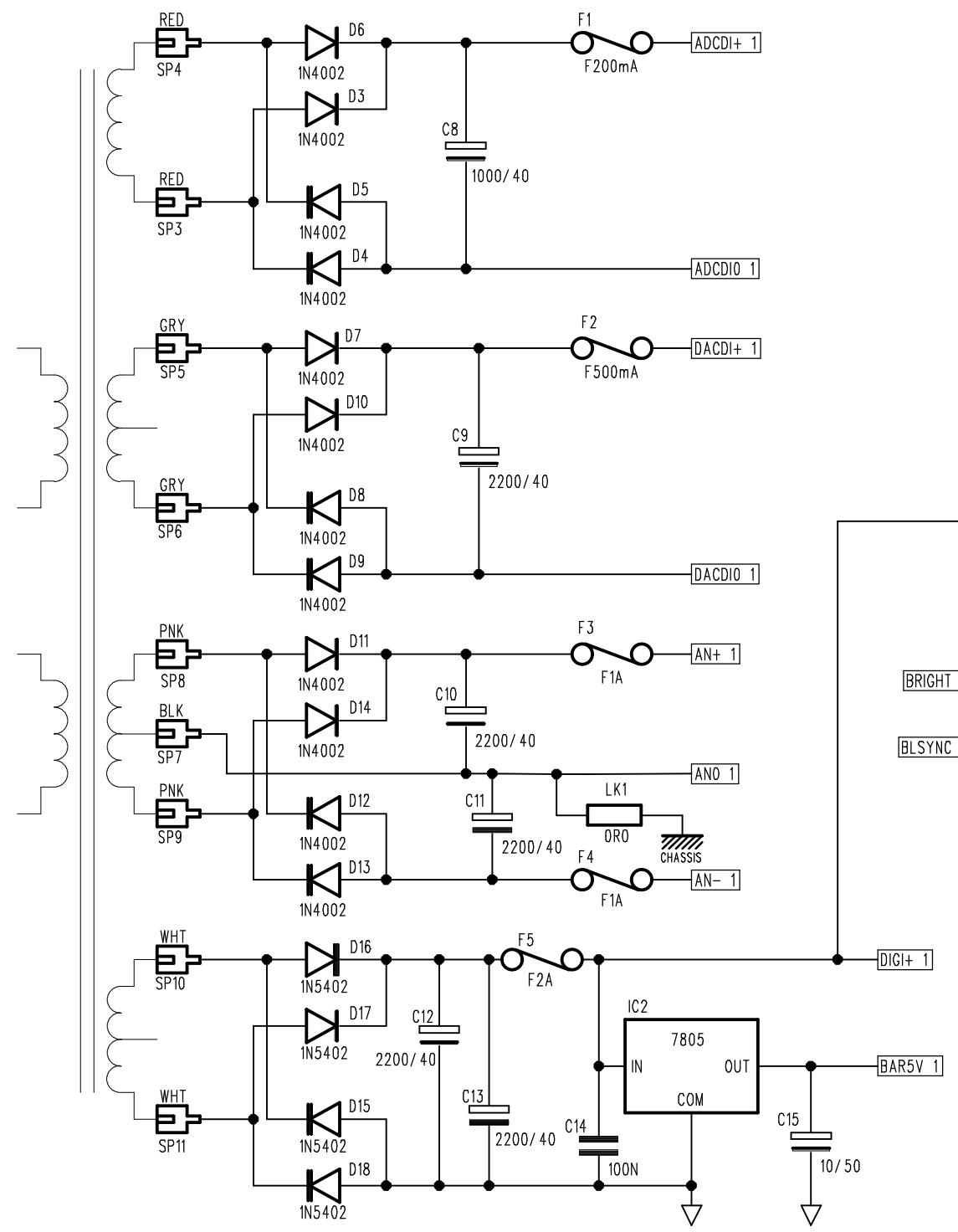
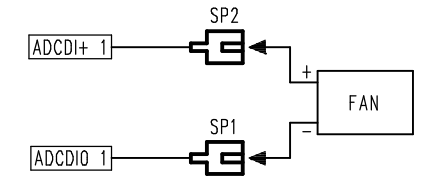
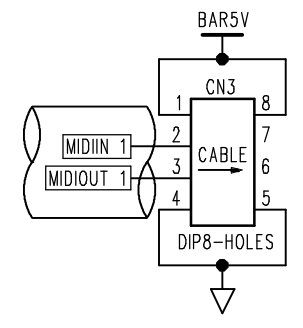
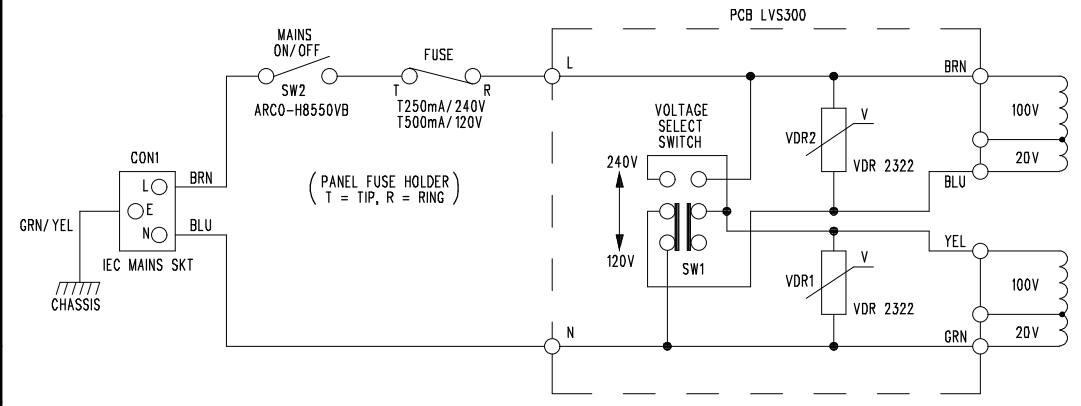
MATERIALS:

FINISH:

ARTWORK:

NOTES

THIS DRAWING IS THE COPYRIGHT OF BSS Audio Ltd. ALL REPRODUCTION AND COPYING, OTHER THAN THAT FOR LICENCED MANUFACTURES OWN INTERNAL USE, OR DISCLOSURE OF PART OR WHOLE TO A THIRD PARTY WITHOUT PRIOR WRITTEN AUTHORISATION IS IN VIOLATION OF THE COPYRIGHT. © BSS Audio Ltd 1994



DRAWING NUMBER ISSUE

388SE 3



LINKSIDE HOUSE
SUMMIT ROAD
CRANBORNE IND EST
POTTERS BAR
HERTS
EN6 3JB

Tel 01707 660667
Fax 01707 660755

TITLE: DAC BOARD

SHEET 2 of 4

FILENAME: 388SE3.SCH

DRAWN: PSB/TJR

DATE: 10-07-95

CHECKED:

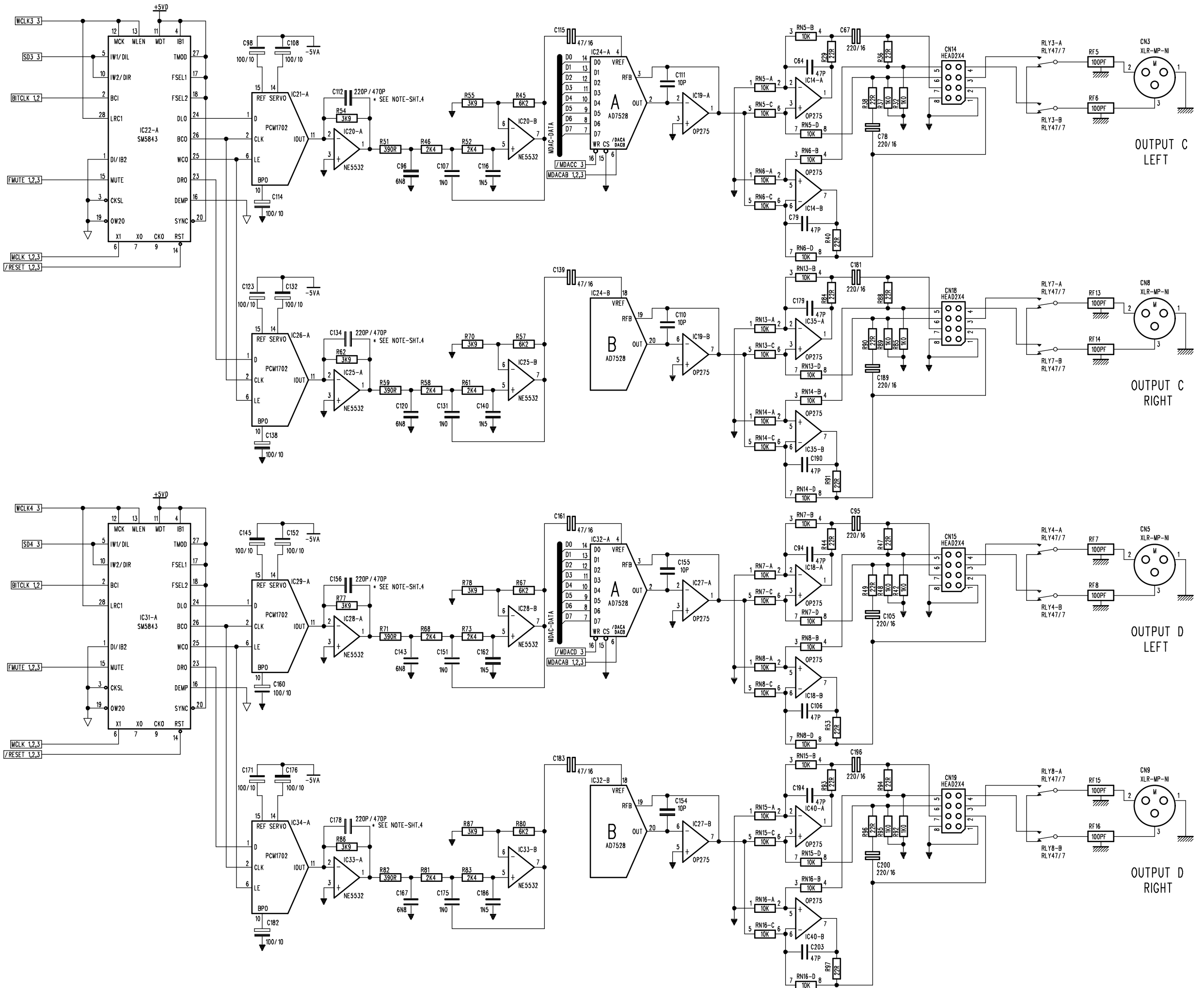
MATERIAL:

FINISH:

ISSUE COMMENTS:

PART NUMBER:

THIS DRAWING IS THE COPYRIGHT OF BSS Audio Ltd. ALL REPRODUCTION AND COPYING, OTHER THAN THAT FOR LICENCED MANUFACTURERS OWN INTERNAL USE, OR DISCLOSURE OF PART OR WHOLE TO A THIRD PARTY WITHOUT PRIOR WRITTEN AUTHORISATION IS IN VIOLATION OF THE COPYRIGHT. © BSS Audio Ltd 1994



DRAWING NUMBER ISSUE

388SE 3



LINKSIDE HOUSE
SUMMIT ROAD
CRANBORNE IND EST
POTTERS BAR
HERTS
EN6 3JB

BSS Audio Ltd. Tel 01707 660667
Fax 01707 660755

TITLE: DAC BOARD

SHEET 3 of 4

FILENAME: 388SE3.SCH

DRAWN: PSB/TJR

DATE: 10-07-95

CHECKED:

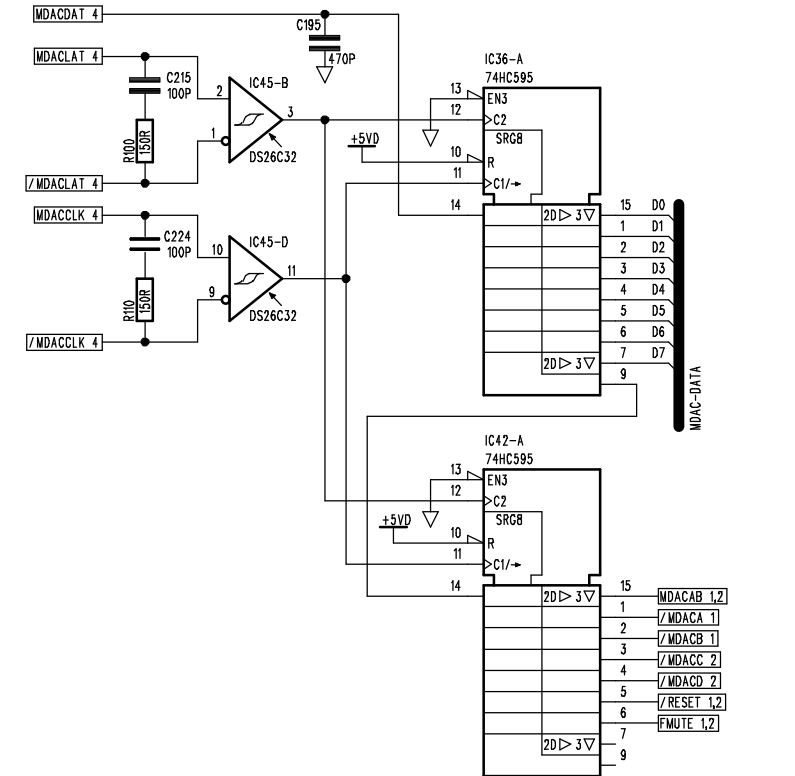
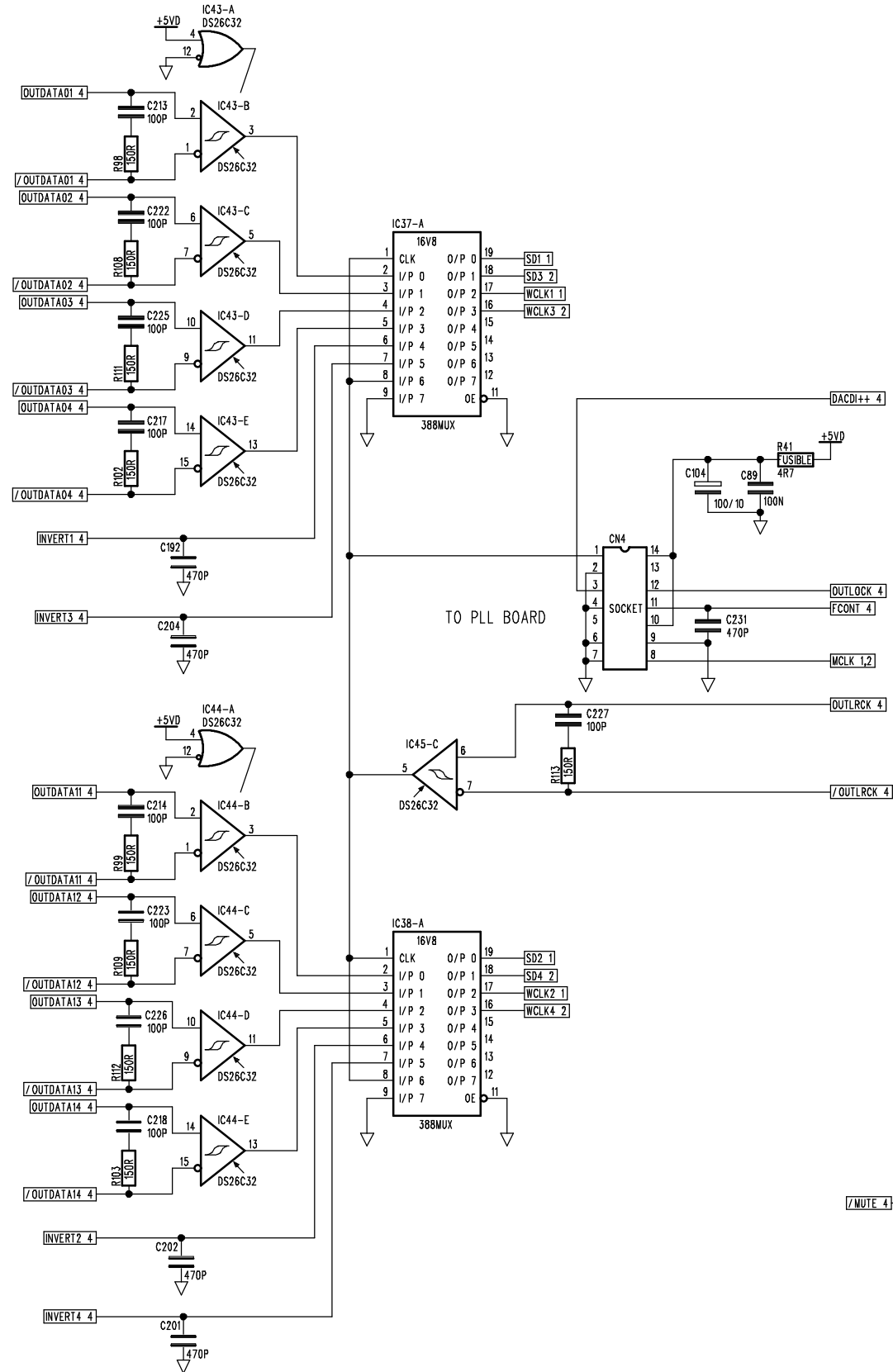
MATERIAL:

FINISH:

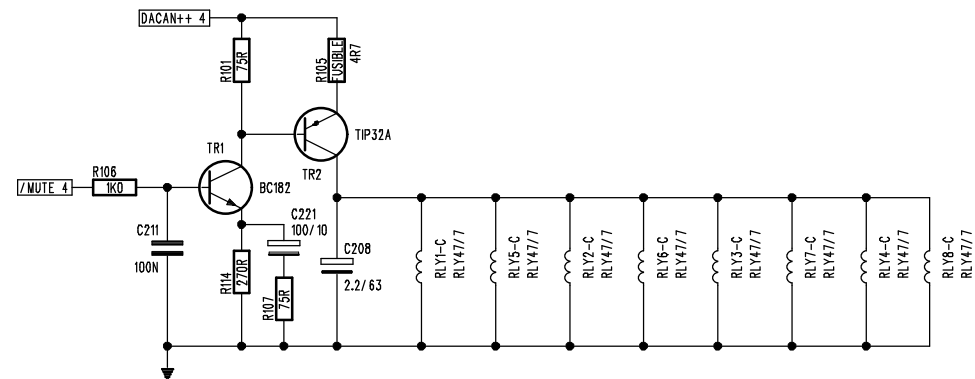
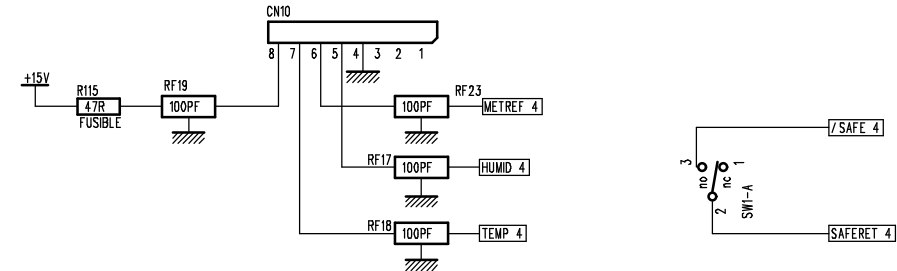
ISSUE COMMENTS:

PART NUMBER:

THIS DRAWING IS THE COPYRIGHT OF BSS Audio Ltd. ALL REPRODUCTION AND COPYING, OTHER THAN THAT FOR LICENCED MANUFACTURERS OWN INTERNAL USE, OR DISCLOSURE OF PART OR WHOLE TO A THIRD PARTY WITHOUT PRIOR WRITTEN AUTHORISATION IS IN VIOLATION OF THE COPYRIGHT. © BSS Audio Ltd 1994



METROLOGY CONNECTION TO 5 PIN XLR BOARD (100PB)



DRAWING NUMBER ISSUE

388SE 3



LINKSIDE HOUSE
SUMMIT ROAD
CRANBORNE IND EST
POTTERS BAR
HERTS
EN6 3JB

BSS Audio Ltd. Tel 01707 660667
Fax 01707 660755

TITLE: DAC BOARD

SHEET 4 of 4

FILENAME: 388SE3.SCH

DRAWN: PSB/TJR

DATE: 10-07-95

CHECKED:

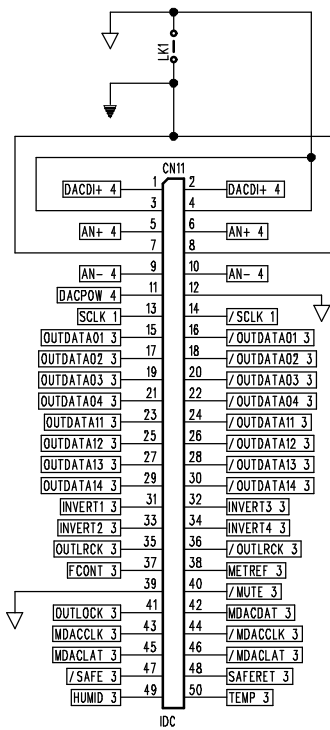
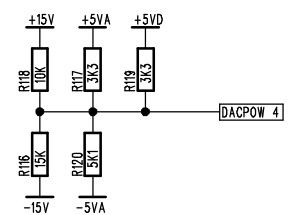
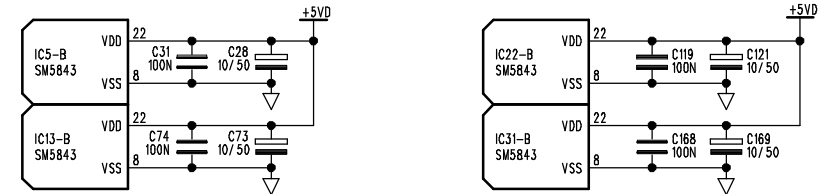
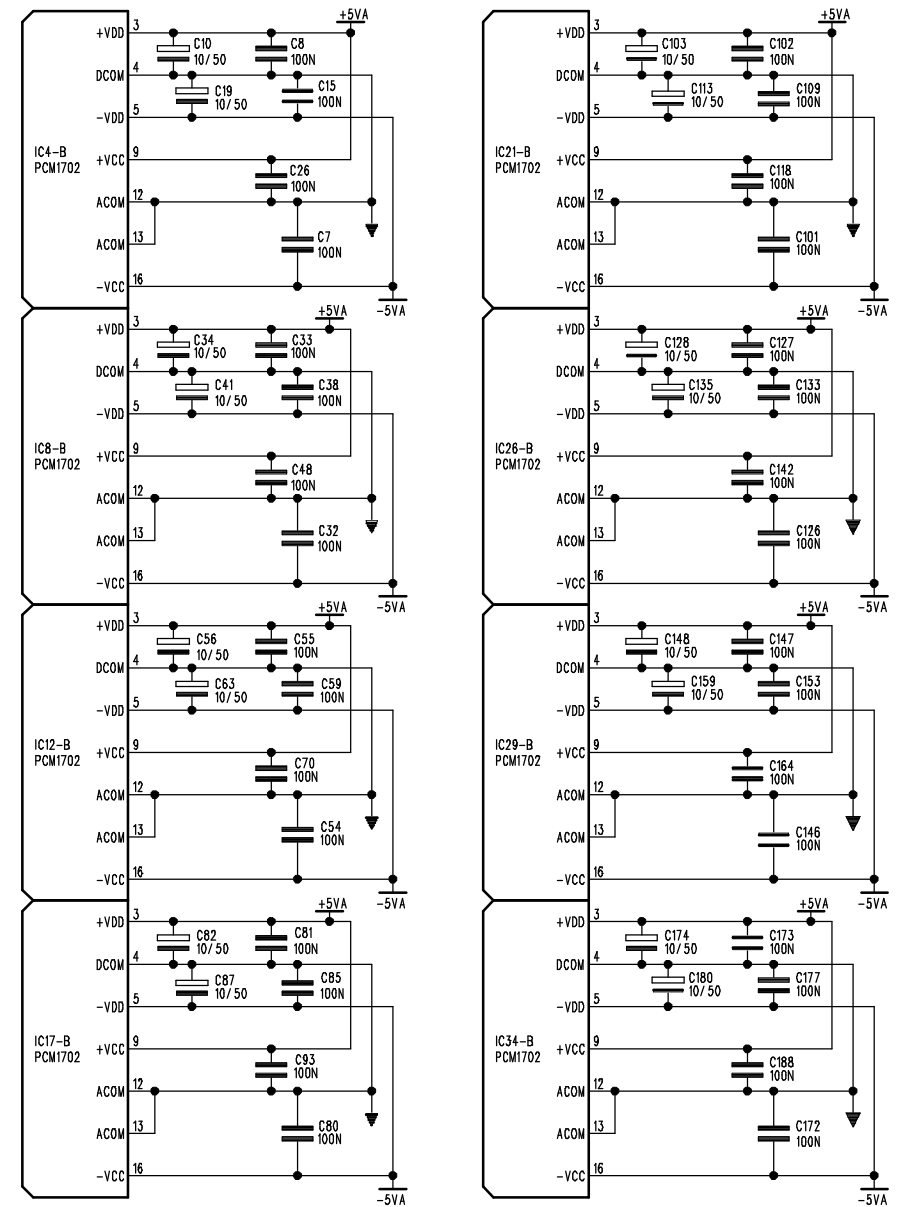
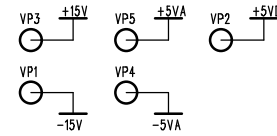
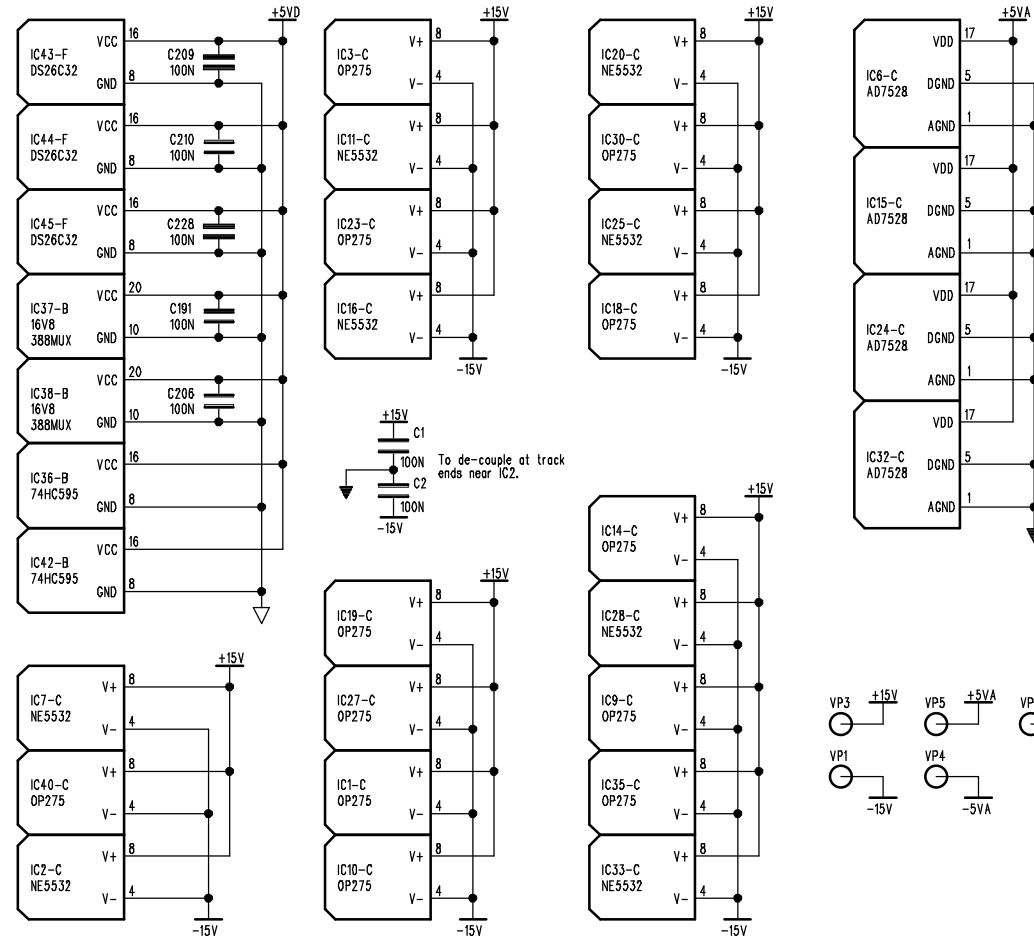
MATERIAL:

FINISH:

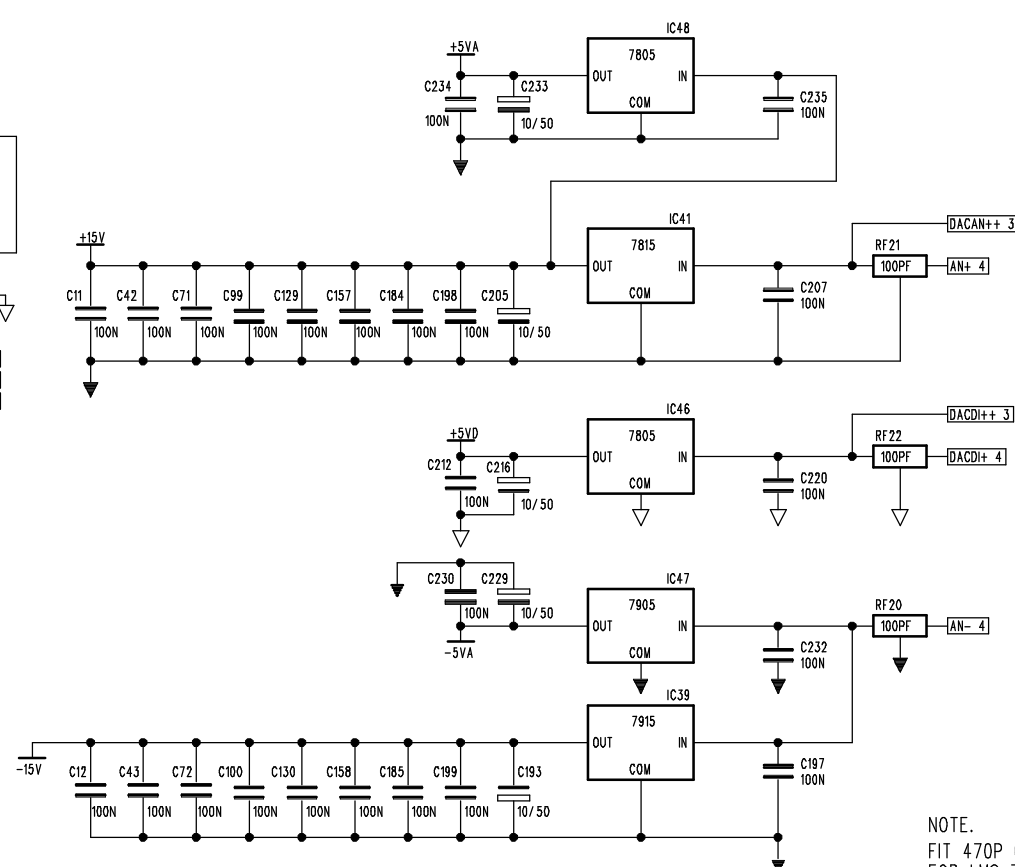
ISSUE COMMENTS:

PART NUMBER:

THIS DRAWING IS THE COPYRIGHT OF BSS Audio Ltd. ALL REPRODUCTION AND COPYING, OTHER THAN THAT FOR LICENCED MANUFACTURERS OWN INTERNAL USE, OR DISCLOSURE OF PART OR WHOLE TO A THIRD PARTY WITHOUT PRIOR WRITTEN AUTHORISATION IS IN VIOLATION OF THE COPYRIGHT. © BSS Audio Ltd 1994



TO MAIN DSP BOARD



NOTE:
FIT 470P CAPACITORS IN POSITIONS C18,40,62,86,112,134,156 & 178 FOR LMS 700 ASSEMBLY ONLY.

DRAWING NUMBER ISSUE

388SF 2B



LINKSIDE HOUSE
SUMMIT ROAD
CRANBORNE IND EST
POTTERS BAR
HERTS
EN6 3JB
Tel 01707 660667
Fax 01707 660755

TITLE: PLL BOARD

FILENAME: 388SF2B.SCH

DRAWN BY: PSB/TJR/Lam

DATE: 12/12/95

CHECKED:

LAYERS: SHEET 1 of 1

ISSUE DETAILS

- 2A. ECN5736
SP1 NOTE ADDED
- 2B. ECN5816
C15 WAS 100P

DIMENSIONS:

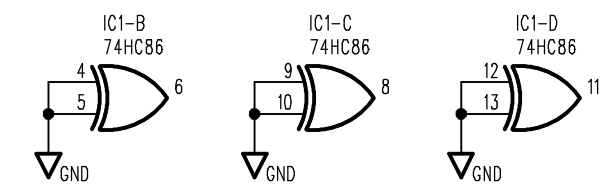
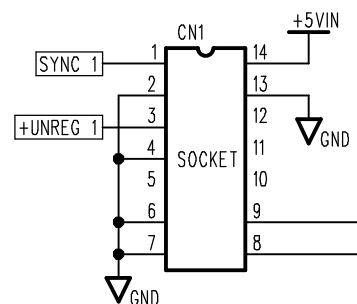
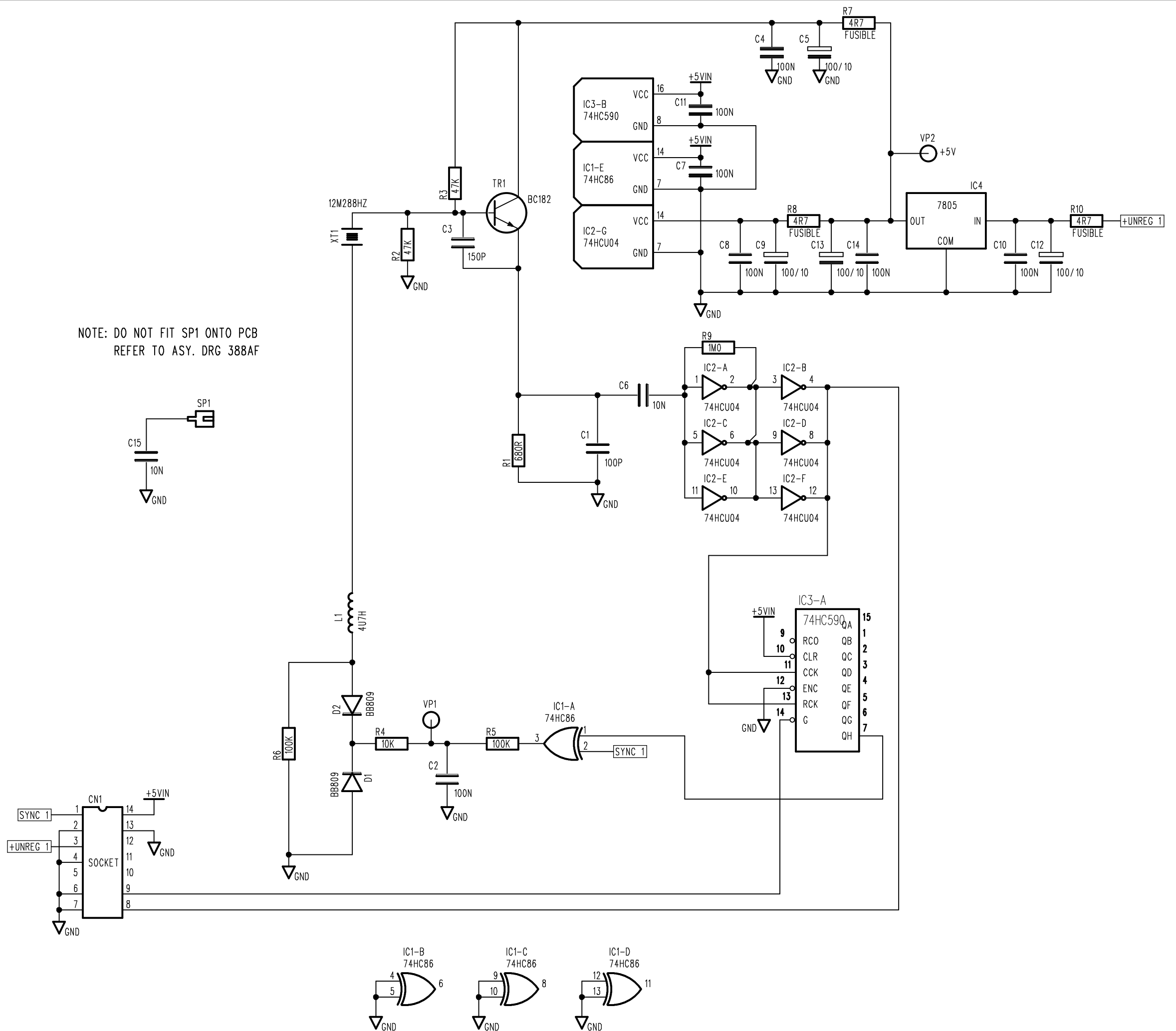
MATERIALS:

FINISH:

ARTWORK:

NOTES

THIS DRAWING IS THE COPYRIGHT OF BSS Audio Ltd. ALL REPRODUCTION AND COPYING, OTHER THAN THAT FOR LICENCED MANUFACTURES OWN INTERNAL USE, OR DISCLOSURE OF PART OR WHOLE TO A THIRD PARTY WITHOUT PRIOR WRITTEN AUTHORISATION IS IN VIOLATION OF THE COPYRIGHT. © BSS Audio Ltd 1994



DRAWING NUMBER ISSUE

388SG 1



UNIT 5, MERLIN CENTRE
ACREWOOD WAY
ST. ALBANS
HERTS
AL4 0JY
ENGLAND

BSS Audio Ltd. Tel 0727 845242 Fax 0727 845277

TITLE: TRANSFORMER CONNECTING BOARD

FILENAME: 388SG1.SCH

DRAWN BY: PSB

DATE: 15.8.94

CHECKED:

LAYERS: SHEET 1 of 1

ISSUE DETAILS ORIGINAL ISSUE

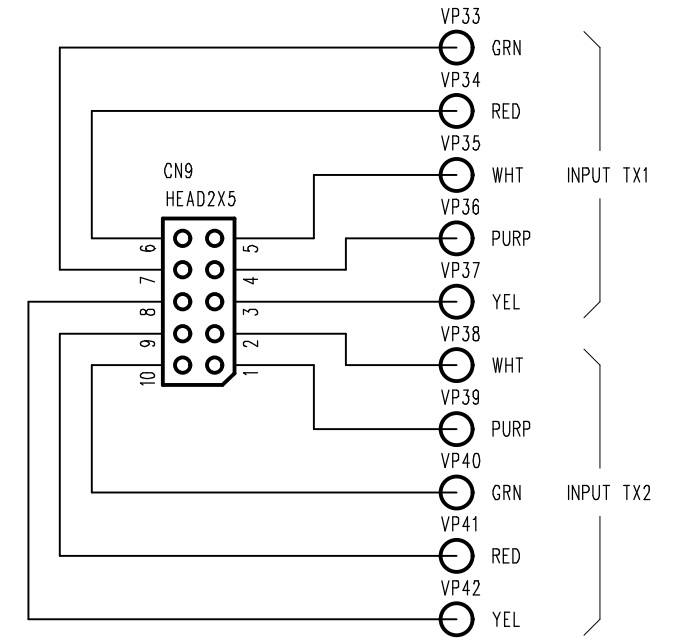
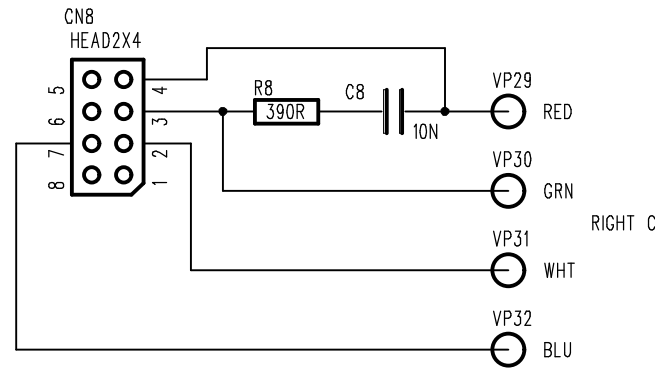
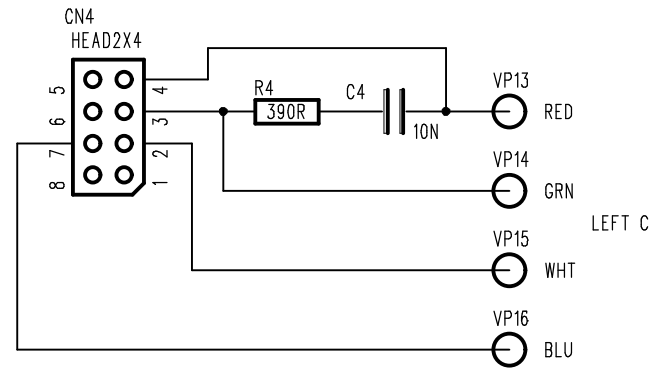
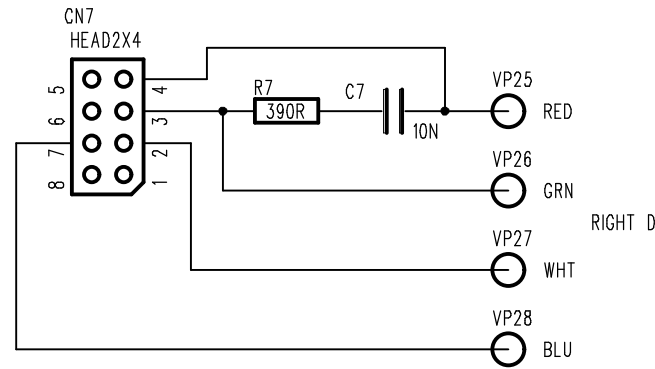
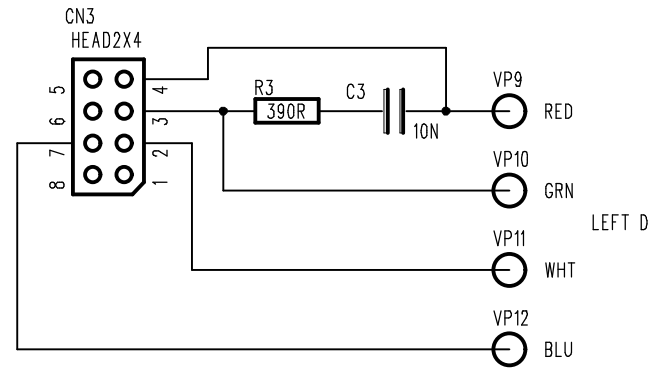
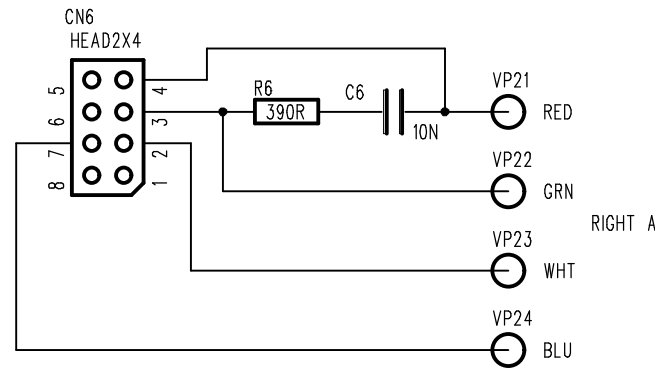
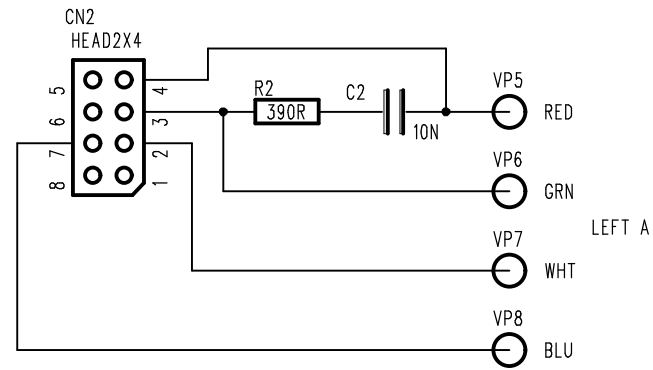
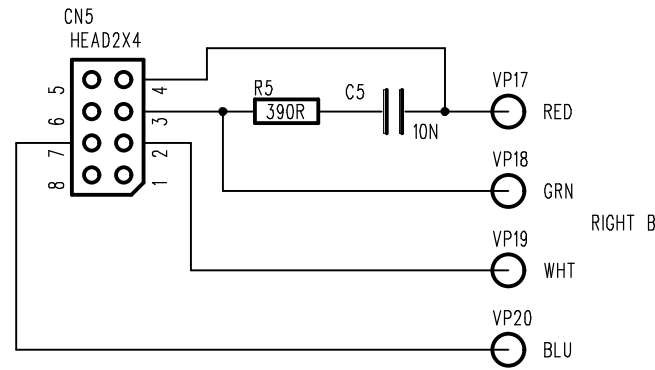
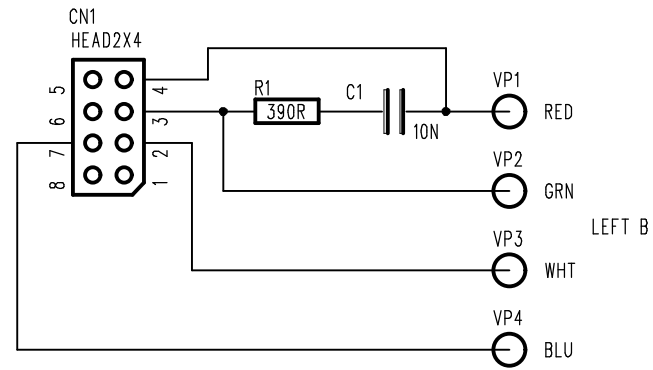
DIMENSIONS:

MATERIALS:

FINISH:

ARTWORK:

NOTES



DRAWING NUMBER
388SH

ISSUE
2



LINKSIDE HOUSE
SUMMIT ROAD
CRANBORNE IND EST
POTTERS BAR
HERTS
EN6 3JB
Tel 01707 660667
Fax 01707 660755

BSS Audio

TITLE: **MIDI BOARD**

FILENAME: **388PH2.SCH**

DRAWN BY: **Lam/TJR**

DATE: **16-08-95**

CHECKED :

LAYERS: SHEET 1 of 1

ISSUE DETAILS
2. ECN5737 - CN1,CN2 & CN3
PIN 2 MODS.

DIMENSIONS :

MATERIALS :

FINISH :

ARTWORK :

NOTES

