



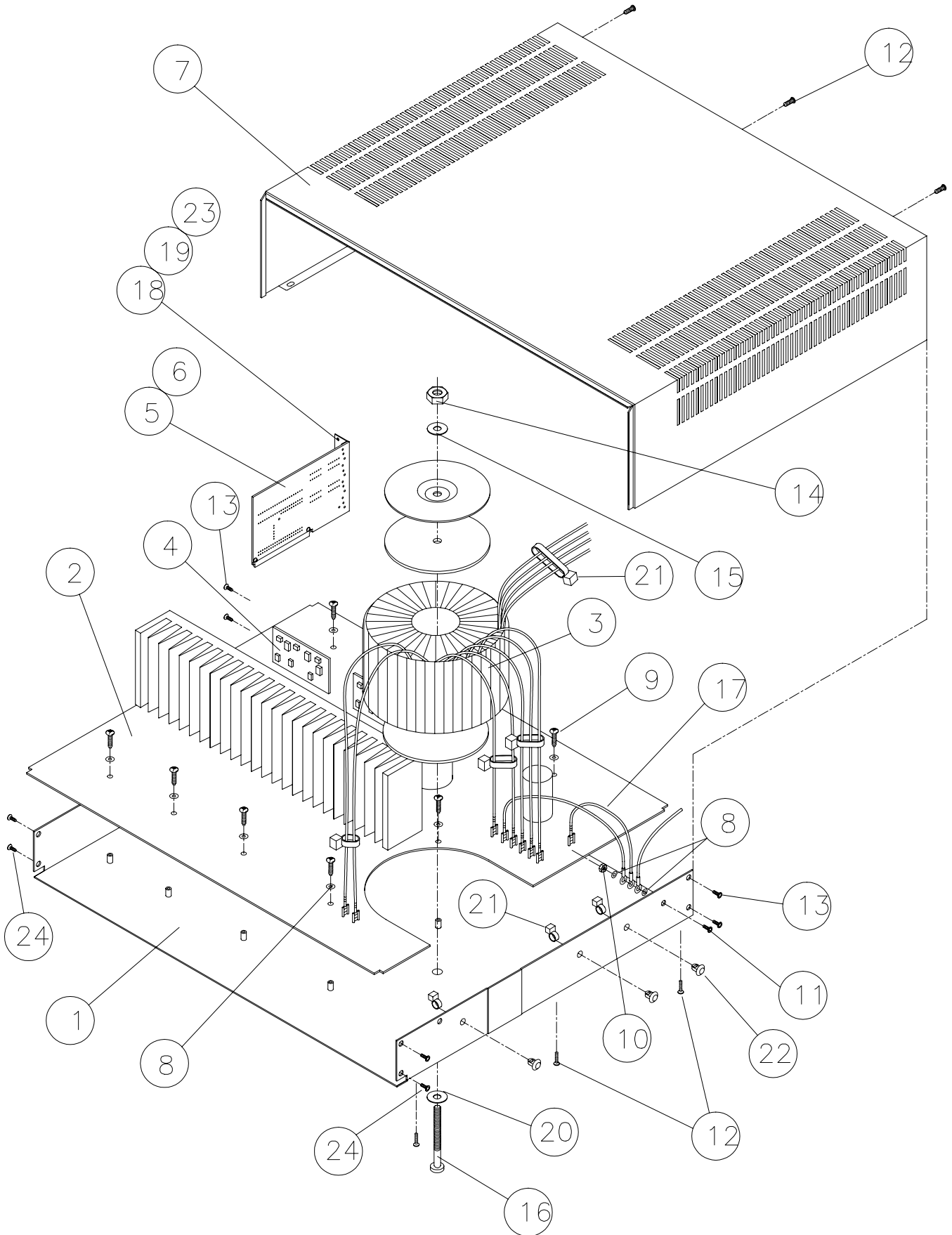
TITLE
CASA CONTROLLER MAIN G.A.

DRG. NO.
A3342-5 -6

ISS

2

COPYRIGHT © 1997 DATE 22/09/97 DRAWN KW





TITLE
CASA MAIN G.A. PARTS LIST

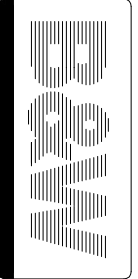
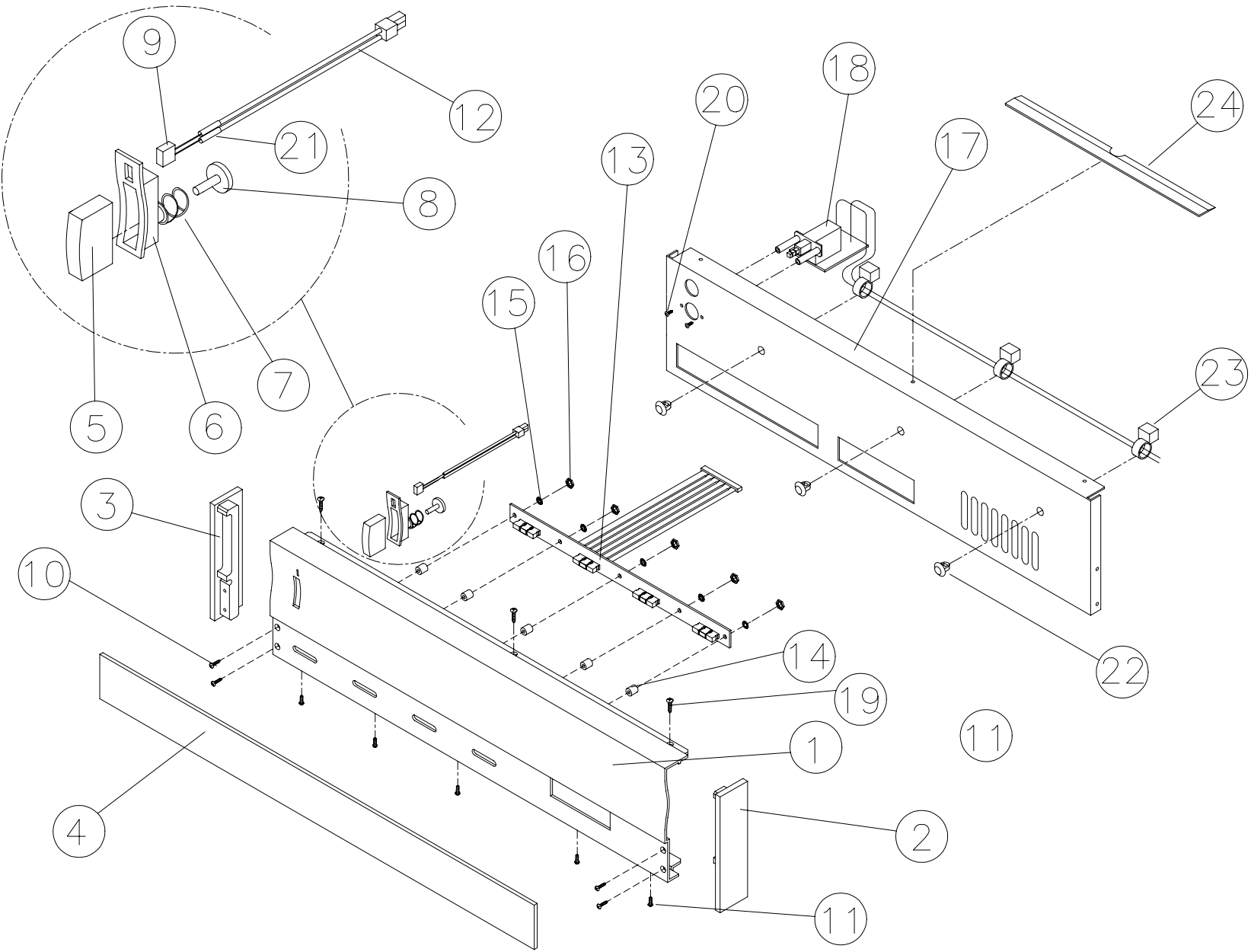
DRG. NO.
A3342-6 -6

ISS

2

COPYRIGHT © 1997 DATE 22/09/97 DRAWN KW

NO.	QTY	CODE	DESCRIPTION	DRG No
		CASA-CON1	Complete Assembly	A3342
1	1	BB05177	Chassis	C4056
2	1	ZZ00434	Main PCB Assembly	A3680
3	1	TT06361	Transformer	
4	2	ZZ10016	Debug/IR PCB Assembly	A3827
5	1	ZZ10008	CPU PCB Assembly	A3821
6	1	ZZ11053	PHAST PCB Assembly	
7	1	BB05185	Cover	C4069
8	12	HH10499	M3 Shakeproof Washer	
9	10	HH10480	Screw M3x8 Pozi Pan Hd Blk	
10	1	HH10596	M3 Full Nut	
11	1		Screw M3 x 12 Csk Pozi	
12	9	HH10579	Screw No.4x1/4 ST Pan Pozi Blk	
13	8	HH09482	Screw No.4x3/8 ST Csk Pozi Blk	
14	1	HH10839	M6 Nylock Nut	
15	1	HH05282	M6 Washer	
16	1	HH10561	M6 x 90 Bolt	
17	3	ZH03840	Earth Strap	A4013
18	1	HH01042	1CPU Bracket	A3651
19	1	HH10439	PHAST Bracket	A3652
20	1	HH05282	M6 Shakeproof Washer	
21	A/R		Cable Tie Thomas & Betts TYB25M	
22	3		Cable Tie Holder (Richco FTH-9)	
23	2		Snap Rivet Richco SR2648B	
24	4		M3 x 12 Taptite Screws	



TITLE

CASA FRONT PANEL G.A.

DRG. NO.

A 3342-1 -6

ISS

1

COPYRIGHT © 1997 DATE 06/02/98 DRAWN KW



TITLE
CASA FRONT PANEL G.A. PL

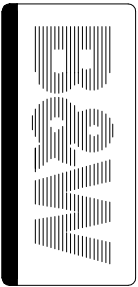
DRG. NO.
A3342-2 -6

ISS

1

COPYRIGHT © 1997 DATE 22/09/97 DRAWN KW

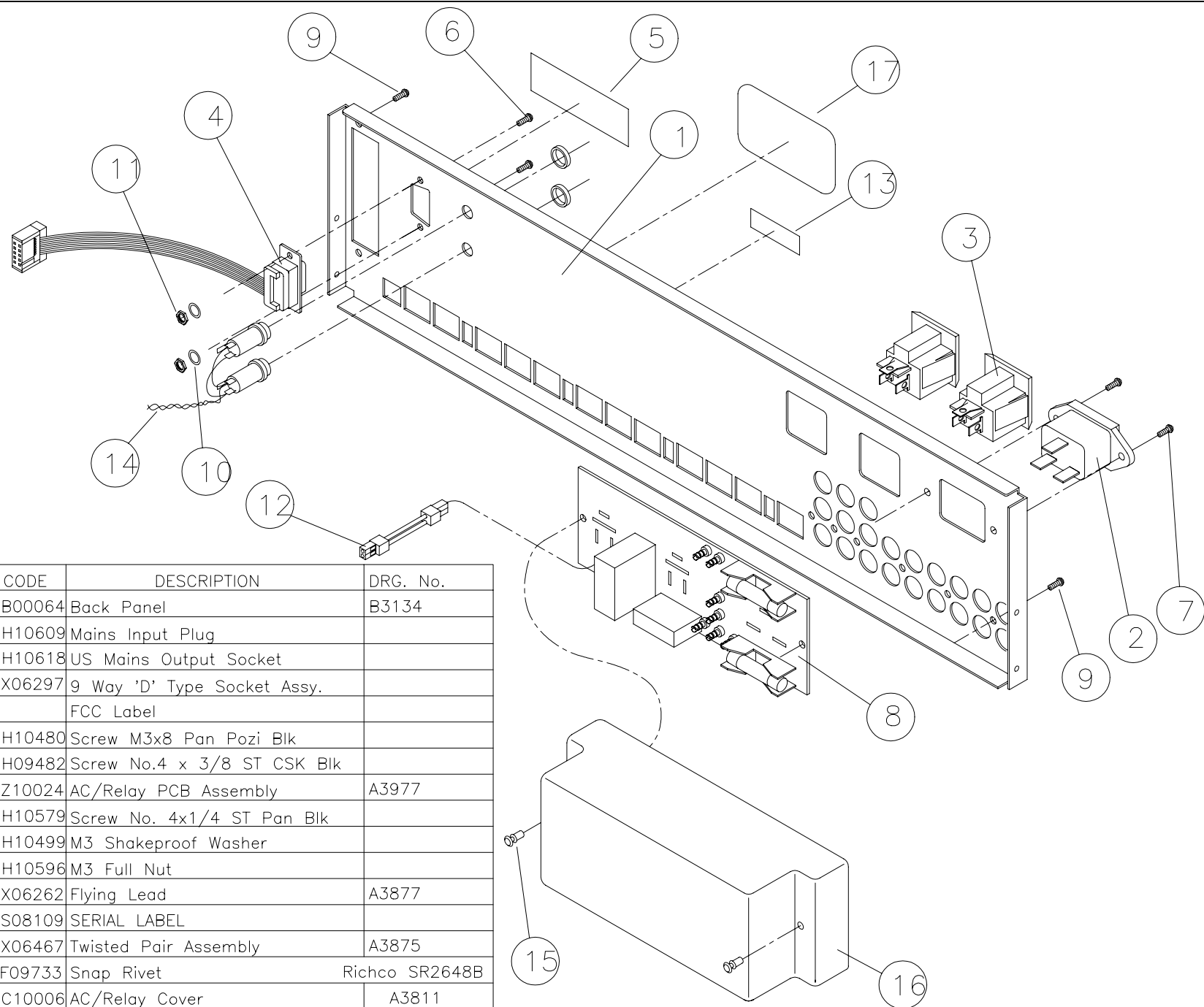
NO.	QTY	CODE	DESCRIPTION	DRG No
1	1	BB00080	Front Panel	C3246
2	1	BB05142	Right End Cheek	A4070
3	1	BB05150	Left End Cheek	A4070
4	1	PP00086	Perspex Panel	B3286
5	1	HH10005	Switch Body	A3288
6	1	SS00387	Switch Moulding	B3246
7	1	SS07889	Switch Spring	
8	1	HH09954	Switch Plunger	A3290
9	1	SS08257	Switch L.E.D.	
10	4	HH10464	Screw M2.5 x 8 CSK Black	
11	5	HH10669	Screw N0.4 x 3/8 ST PAN HD Black	
12	1	ZX06262	Harness Front Panel LED	A3876
13	1	ZZ11088	Front Panel P.C.B.	A3981
14	5	HH10588	Spacer	
15	5	HH10499	M3 Shakeproof Washer	
16	5	HH10596	M3 Full Nut	
17	1	HH10013	Chassis Front	B4058
18	1	SS07821	Switch	
19	3		Screw M3 X 8 CSK JIS S-tite Nickel	
20	2	HH10480	M3 x 8 Pan Pozi	
21	2		Heat Shrink Tubing, Flame Retardant VW-1. UL224 Approved	
22	3		Cable Tie Holder (Richco FTH-9)	
23	3		Cable Tie	
24	1		Interface	A4066



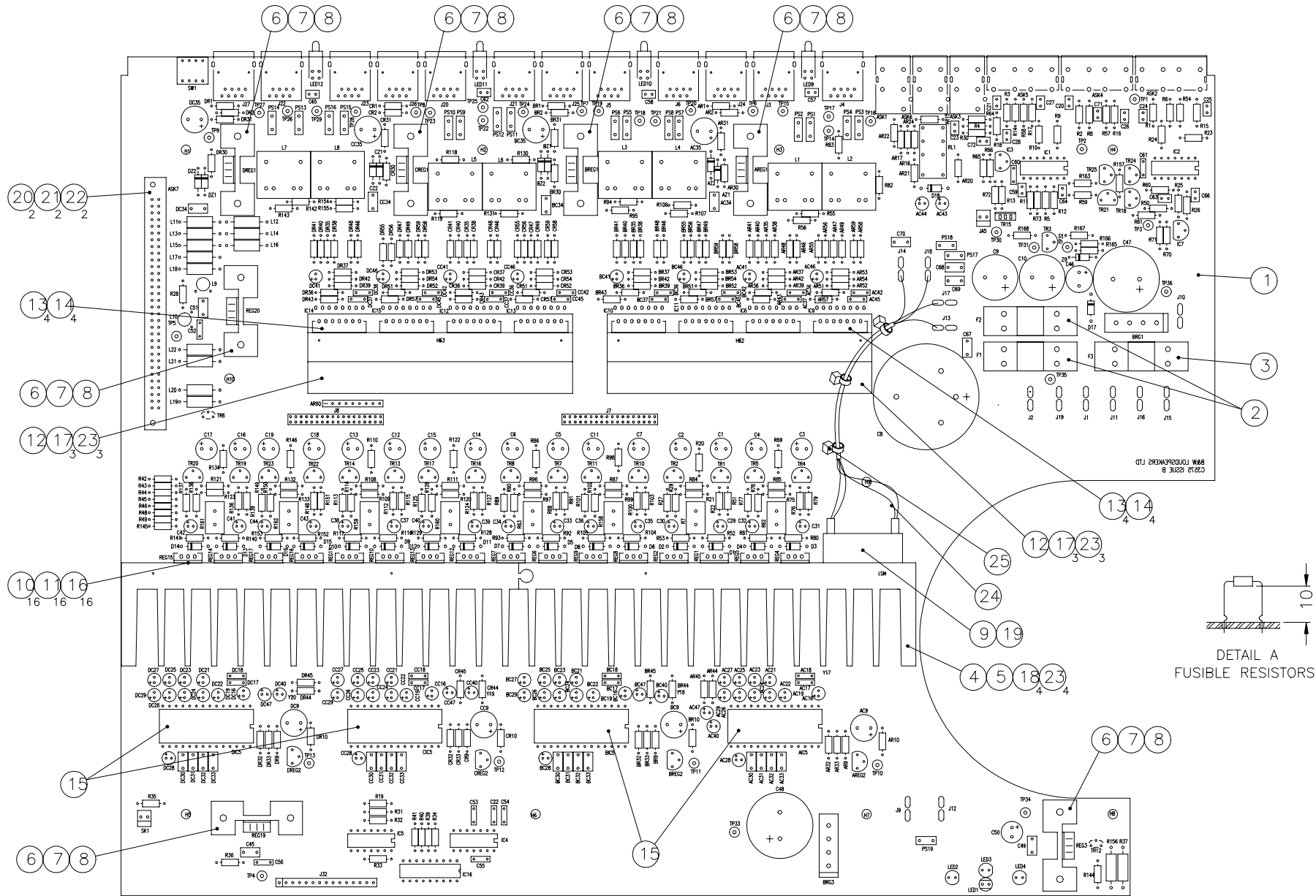
TITLE
CASA BACK PANEL G.A. (US)

DRG. NO.
A 3342-3-6
ISS
1

COPYRIGHT © 1997 DATE 22/09/97 DRAWN KW



No.	QTY.	CODE	DESCRIPTION	DRG. No.
1	1	BB00064	Back Panel	B3134
2	1	HH10609	Mains Input Plug	
3	2	HH10618	US Mains Output Socket	
4	1	ZX06297	9 Way 'D' Type Socket Assy.	
5	1		FCC Label	
6	2	HH10480	Screw M3x8 Pan Pozi Blk	
7	2	HH09482	Screw No.4 x 3/8 ST CSK Blk	
8	1	ZZ10024	AC/Relay PCB Assembly	A3977
9	8	HH10579	Screw No. 4x1/4 ST Pan Blk	
10	2	HH10499	M3 Shakeproof Washer	
11	2	HH10596	M3 Full Nut	
12	1	ZX06262	Flying Lead	A3877
13	1	SS08109	SERIAL LABEL	
14	1	ZX06467	Twisted Pair Assembly	A3875
15	2	FF09733	Snap Rivet	Richco SR2648B
16	1	CC10006	AC/Relay Cover	A3811
17	1		Flash/Safety Label	



DO NOT SCALE



DIMENSIONS IN mm
 TOLERANCES
 0. ± 0.5
 0.0 ± 0.3
 0.00 ± 0.1
 ANGLES ± 0.5°
 UNLESS OTHERWISE STATED

MATERIAL
 FINISH

ISS	AMENDMENT	ECN NO.	DATE	APPROVAL
TITLE				

CONTROLLER PCB ASSEMBLY

COPYRIGHT © 1997
 DRAWN PLB
 DATE 04/12/97
 CHECKED / APPROVED
 SCALE NTS
 FULL DRG SIZE A3

PART NO. ZZ00434
 DRG. NO. A3680-1
 ISS -17(1)



TITLE
CONTROLLER PCB PARTS LIST

DRG. NO. A3680-2 -17
ISS 1

COPYRIGHT © 1997 DATE 05/12/97 DRAWN PLB

REF	QTY	CODE	VALUE	VOLT	DESCRIPTION	PART NUMBER
		ZZ00434			COMPLETE ASSEMBLY	DWG NO A3680
JA5	1				2 PIN SIP HEADER .100 CENTERS FRICTION LOCK	FARNELL 588-570
SK1	1				2 PIN SIP HEADER .100 CENTERS FRICTION LOCK	FARNELL 588-570
ASK7	1				64PIN DIN41612 AB VERTICAL CONNECTOR CLASS 2	FARNELL 225-472
J32	1				FLEXISTRIP 15 PIN SOCKET THOMAS & BETTS	FARNELL 151-954
LED1	1				3mm LIGHT EMITTING DIODE RED	
LED10	1				LED BI-LEVEL RED	FARNELL 637-658
LED11	1				LED BI-LEVEL RED	FARNELL 637-658
LED12	1				LED BI-LEVEL RED	FARNELL 637-658
LED9	1				LED BI-LEVEL RED	FARNELL 637-658
LED13	1				LED FRONT PANEL SWITCH MOUNTED	FARNELL 587-125
LED2	1	TSUS5202			5mm IR EMITTING DIOD	FARNELL 178-301
LED3	1	TSUS5202			5mm IR EMITTING DIODE	FARNELL 178-301
LED4	1	TSUS5202			5mm IR EMITTING DIODE	FARNELL 178-301
J7	1				2mm PIN HEADER 36 WAY	RS842-680
J8	1				2mm PIN HEADER 36 WAY	RS842-680
J1	1				6.35mm VERTICAL SPADE	FARNELL 209-284
J10	1				6.35mm VERTICAL SPADE	FARNELL 209-284
J11	1				6.35mm VERTICAL SPADE	FARNELL 209-284
J12	1				6.35mm VERTICAL SPADE	FARNELL 209-284
J13	1				6.35mm VERTICAL SPADE	FARNELL 209-284
J14	1				6.35mm VERTICAL SPADE	FARNELL 209-284
J15	1				6.35mm VERTICAL SPADE	FARNELL 209-284
J16	1				6.35mm VERTICAL SPADE	FARNELL 209-284
J17	1				6.35mm VERTICAL SPADE	FARNELL 209-284
J18	1				6.35mm VERTICAL SPADE	FARNELL 209-284
J19	1				6.35mm VERTICAL SPADE	FARNELL 209-284
J2	1				6.35mm VERTICAL SPADE	FARNELL 209-284
J9	1				6.35mm VERTICAL SPADE	FARNELL 209-284
IC3	1	LM431ACZ			ADJUSTABLE PRECISION ZENER SHUNT REGULATOR	FARNELL 411-814
IC7	1	LM431ACZ			ADJUSTABLE PRECISION ZENER SHUNT REGULATOR	FARNELL 411-814
IC1	1	TL054CN			QUAD OP-AMP JFET	
IC2	1	TL054CN			QUAD OP-AMP JFET	
IC4	1	74HC02			QUAD 2-INPUT POS-NOR GATE	
IC5	1	74HC14			HEX SCHMITT-TRIGGER INV	
IC16	1	ULN2803A			DARLINGTON DRIVER DIL18-SGS	FARNELL 409-856
IC10	1	LM1876TF			DUAL 20W AUDIO POWER AMP MULTIWATT15	FARNELL 632-971
IC11	1	LM1876TF			DUAL 20W AUDIO POWER AMP MULTIWATT15	FARNELL 632-971
IC12	1	LM1876TF			DUAL 20W AUDIO POWER AMP MULTIWATT15	FARNELL 632-971
IC13	1	LM1876TF			DUAL 20W AUDIO POWER AMP MULTIWATT15	FARNELL 632-971
IC14	1	LM1876TF			DUAL 20W AUDIO POWER AMP MULTIWATT15	FARNELL 632-971
IC15	1	LM1876TF			DUAL 20W AUDIO POWER AMP MULTIWATT15	FARNELL 632-971
IC6	1	LM1876TF			DUAL 20W AUDIO POWER AMP MULTIWATT15	FARNELL 632-971
IC9	1	LM1876TF			DUAL 20W AUDIO POWER AMP MULTIWATT15	FARNELL 632-971
AIC5	1	TDA7318			AUDIO PROCESSOR SGS-T DILL28	
BIC5	1	TDA7318			AUDIO PROCESSOR SGS-T DILL28	
CIC5	1	TDA7318			AUDIO PROCESSOR SGS-T DILL28	



TITLE
CONTROLLER PCB PARTS LIST

COPYRIGHT © 1997 | DATE 05/12/97 | DRAWN PLB

DRG. NO. A3680-3 -17 (1)

ISS 1

DIC5	1		TDA7318		AUDIO PROCESSOR SGS-T DILL28	
D10	1		1N4002		Axial ss Diode	
D11	1		1N4002		Axial ss Diode	
D12	1		1N4002		Axial ss Diode	
D13	1		1N4002		Axial ss Diode	
D14	1		1N4002		Axial ss Diode	
D15	1		1N4002		Axial ss Diode	
D16	1		1N4002		Axial ss Diode	
D17	1		1N4002		Axial ss Diode	
D18	1		1N4001		Axial ss Diode	
D2	1		1N4002		Axial ss Diode	
D3	1		1N4002		Axial ss Diode	
D4	1		1N4002		Axial ss Diode	
D5	1		1N4002		Axial ss Diode	
D6	1		1N4002		Axial ss Diode	
D7	1		1N4002		Axial ss Diode	
D8	1		1N4002		Axial ss Diode	
D9	1		1N4002		Axial ss Diode	
AZ1	1		BZX55C5V1		Axial ss Zener 5.1V	
AZ2	1		BZX55C5V1		Axial ss Zener 5.1V	
BZ1	1		BZX55C5V1		Axial ss Zener 5.1V	
BZ2	1		BZX55C5V1		Axial ss Zener 5.1V	
CZ1	1		BZX55C5V1		Axial ss Zener 5.1V	
CZ2	1		BZX55C5V1		Axial ss Zener 5.1V	
DZ1	1		BZX55C5V1		Axial ss Zener 5.1V	
DZ2	1		BZX55C5V1		Axial ss Zener 5.1V	
Z9	1		BZX55C7V5		Axial ss Zener 7.5V	
BRG1	1		KBU4		BRIDGE RECTIFIER 4A	FARNELL 572-810
BRG3	1		KBU4		BRIDGE RECTIFIER 4A	FARNELL 572-810
AC16	1		22uF	50V	CAPACITOR PANASONIC NHE SERIES	FARNELL 698-672
AC19	1		2u2	50V	CAPACITOR LOW LEAKAGE RUBYCON TWL SERIES	FARNELL 499-092
AC21	1		4u7	35V	CAPACITOR LOW LEAKAGE RUBYCON TWL SERIES	FARNELL 499-079
AC22	1		4u7	35V	CAPACITOR LOW LEAKAGE RUBYCON TWL SERIES	FARNELL 499-079
AC23	1		4u7	35V	CAPACITOR LOW LEAKAGE RUBYCON TWL SERIES	FARNELL 499-079
AC24	1		4u7	35V	CAPACITOR LOW LEAKAGE RUBYCON TWL SERIES	FARNELL 499-079
AC25	1		4u7	35V	CAPACITOR LOW LEAKAGE RUBYCON TWL SERIES	FARNELL 499-079
AC26	1		4u7	35V	CAPACITOR LOW LEAKAGE RUBYCON TWL SERIES	FARNELL 499-079
AC27	1		4u7	35V	CAPACITOR LOW LEAKAGE RUBYCON TWL SERIES	FARNELL 499-079
AC28	1		2u2	50V	CAPACITOR LOW LEAKAGE RUBYCON TWL SERIES	FARNELL 499-092
AC29	1		4u7	35V	CAPACITOR LOW LEAKAGE RUBYCON TWL SERIES	FARNELL 499-079
AC40	1		4u7	35V	CAPACITOR LOW LEAKAGE RUBYCON TWL SERIES	FARNELL 499-079
AC41	1		4u7	35V	CAPACITOR LOW LEAKAGE RUBYCON TWL SERIES	FARNELL 499-079
AC43	1		4u7	35V	CAPACITOR LOW LEAKAGE RUBYCON TWL SERIES	FARNELL 499-079
AC44	1		4u7	35V	CAPACITOR LOW LEAKAGE RUBYCON TWL SERIES	FARNELL 499-079
AC46	1		4u7	35V	CAPACITOR LOW LEAKAGE RUBYCON TWL SERIES	FARNELL 499-079
AC47	1		4u7	35V	CAPACITOR LOW LEAKAGE RUBYCON TWL SERIES	FARNELL 499-079
BC16	1		22uF	50V	CAPACITOR PANASONIC NHE SERIES	FARNELL 698-672



TITLE
CONTROLLER PCB PARTS LIST

DRG. NO. **A3680-4 -17** ISS **1**

COPYRIGHT © 1997 DATE 05/12/97 DRAWN PLB

BC19	1	2u2	50V	CAPACITOR LOW LEAKAGE RUBYCON TWL SERIES	FARNELL 499-092
BC21	1	4u7	35V	CAPACITOR LOW LEAKAGE RUBYCON TWL SERIES	FARNELL 499-079
BC22	1	4u7	35V	CAPACITOR LOW LEAKAGE RUBYCON TWL SERIES	FARNELL 499-079
BC23	1	4u7	35V	CAPACITOR LOW LEAKAGE RUBYCON TWL SERIES	FARNELL 499-079
BC24	1	4u7	35V	CAPACITOR LOW LEAKAGE RUBYCON TWL SERIES	FARNELL 499-079
BC25	1	4u7	35V	CAPACITOR LOW LEAKAGE RUBYCON TWL SERIES	FARNELL 499-079
BC26	1	4u7	35V	CAPACITOR LOW LEAKAGE RUBYCON TWL SERIES	FARNELL 499-079
BC27	1	4u7	35V	CAPACITOR LOW LEAKAGE RUBYCON TWL SERIES	FARNELL 499-079
BC28	1	2u2	63V	CAPACITOR LOW LEAKAGE RUBYCON TWL SERIES	FARNELL 499-092
BC29	1	4u7	35V	CAPACITOR LOW LEAKAGE RUBYCON TWL SERIES	FARNELL 499-079
BC40	1	4u7	35V	CAPACITOR LOW LEAKAGE RUBYCON TWL SERIES	FARNELL 499-079
BC41	1	4u7	35V	CAPACITOR LOW LEAKAGE RUBYCON TWL SERIES	FARNELL 499-079
BC46	1	4u7	35V	CAPACITOR LOW LEAKAGE RUBYCON TWL SERIES	FARNELL 499-079
BC47	1	4u7	35V	CAPACITOR LOW LEAKAGE RUBYCON TWL SERIES	FARNELL 499-079
C29	1	10uF	50V	CAPACITOR 105oC PANASONIC NHE SERIES	FARNELL 698-660
C30	1	10uF	50V	CAPACITOR 105oC PANASONIC NHE SERIES	FARNELL 698-660
C31	1	10uF	50V	CAPACITOR 105oC PANASONIC NHE SERIES	FARNELL 698-660
C32	1	10uF	50V	CAPACITOR 105oC PANASONIC NHE SERIES	FARNELL 698-660
C33	1	10uF	50V	CAPACITOR 105oC PANASONIC NHE SERIES	FARNELL 698-660
C34	1	10uF	50V	CAPACITOR 105oC PANASONIC NHE SERIES	FARNELL 698-660
C35	1	10uF	50V	CAPACITOR 105oC PANASONIC NHE SERIES	FARNELL 698-660
C36	1	10uF	50V	CAPACITOR 105oC PANASONIC NHE SERIES	FARNELL 698-660
C37	1	10uF	50V	CAPACITOR 105oC PANASONIC NHE SERIES	FARNELL 698-660
C38	1	10uF	50V	CAPACITOR 105oC PANASONIC NHE SERIES	FARNELL 698-660
C39	1	10uF	50V	CAPACITOR 105oC PANASONIC NHE SERIES	FARNELL 698-660
C40	1	10uF	50V	CAPACITOR 105oC PANASONIC NHE SERIES	FARNELL 698-660
C41	1	10uF	50V	CAPACITOR 105oC PANASONIC NHE SERIES	FARNELL 698-660
C42	1	10uF	50V	CAPACITOR 105oC PANASONIC NHE SERIES	FARNELL 698-660
C43	1	10uF	50V	CAPACITOR 105oC PANASONIC NHE SERIES	FARNELL 698-660
C44	1	10uF	50V	CAPACITOR 105oC PANASONIC NHE SERIES	FARNELL 698-660
CC16	1	22uF	50V	CAPACITOR PANASONIC NHE SERIES	FARNELL 698-672
CC19	1	2u2	50V	CAPACITOR LOW LEAKAGE RUBYCON TWL SERIES	FARNELL 499-092
CC21	1	4u7	35V	CAPACITOR LOW LEAKAGE RUBYCON TWL SERIES	FARNELL 499-079
CC22	1	4u7	35V	CAPACITOR LOW LEAKAGE RUBYCON TWL SERIES	FARNELL 499-079
CC23	1	4u7	35V	CAPACITOR LOW LEAKAGE RUBYCON TWL SERIES	FARNELL 499-079
CC24	1	4u7	35V	CAPACITOR LOW LEAKAGE RUBYCON TWL SERIES	FARNELL 499-079
CC25	1	4u7	35V	CAPACITOR LOW LEAKAGE RUBYCON TWL SERIES	FARNELL 499-079
CC26	1	4u7	35V	CAPACITOR LOW LEAKAGE RUBYCON TWL SERIES	FARNELL 499-079
CC27	1	4u7	35V	CAPACITOR LOW LEAKAGE RUBYCON TWL SERIES	FARNELL 499-079
CC28	1	2u2	50V	CAPACITOR LOW LEAKAGE RUBYCON TWL SERIES	FARNELL 499-092
CC29	1	4u7	35V	CAPACITOR LOW LEAKAGE RUBYCON TWL SERIES	FARNELL 499-079
CC40	1	4u7	35V	CAPACITOR LOW LEAKAGE RUBYCON TWL SERIES	FARNELL 499-079
CC41	1	4u7	35V	CAPACITOR LOW LEAKAGE RUBYCON TWL SERIES	FARNELL 499-079
CC46	1	4u7	35V	CAPACITOR LOW LEAKAGE RUBYCON TWL SERIES	FARNELL 499-079
CC47	1	4u7	35V	CAPACITOR LOW LEAKAGE RUBYCON TWL SERIES	FARNELL 499-079
DC16	1	22uF	50V	CAPACITOR PANASONIC NHE SERIES	FARNELL 698-672
DC19	1	2u2	50V	CAPACITOR LOW LEAKAGE RUBYCON TWL SERIES	FARNELL 499-092
DC21	1	4u7	35V	CAPACITOR LOW LEAKAGE RUBYCON TWL SERIES	FARNELL 499-079



TITLE
CONTROLLER PCB PARTS LIST

DRG. NO. A3680-5-17
ISS (1)

COPYRIGHT © 1997 DATE 05/12/97 DRAWN PLB

DC22	1		4u7	35V	CAPACITOR LOW LEAKAGE RUBYCON TWL SERIES	FARNELL 499-079
DC23	1		4u7	35V	CAPACITOR LOW LEAKAGE RUBYCON TWL SERIES	FARNELL 499-079
DC24	1		4u7	35V	CAPACITOR LOW LEAKAGE RUBYCON TWL SERIES	FARNELL 499-079
DC25	1		4u7	35V	CAPACITOR LOW LEAKAGE RUBYCON TWL SERIES	FARNELL 499-079
DC26	1		4u7	35V	CAPACITOR LOW LEAKAGE RUBYCON TWL SERIES	FARNELL 499-079
DC27	1		4u7	35V	CAPACITOR LOW LEAKAGE RUBYCON TWL SERIES	FARNELL 499-079
DC28	1		2u2	50V	CAPACITOR LOW LEAKAGE RUBYCON TWL SERIES	FARNELL 499-092
DC29	1		4u7	35V	CAPACITOR LOW LEAKAGE RUBYCON TWL SERIES	FARNELL 499-079
DC40	1		4u7	35V	CAPACITOR LOW LEAKAGE RUBYCON TWL SERIES	FARNELL 499-079
DC41	1		4u7	35V	CAPACITOR LOW LEAKAGE RUBYCON TWL SERIES	FARNELL 499-079
DC46	1		4u7	35V	CAPACITOR LOW LEAKAGE RUBYCON TWL SERIES	FARNELL 499-079
DC47	1		4u7	35V	CAPACITOR LOW LEAKAGE RUBYCON TWL SERIES	FARNELL 499-079
C8	1		10000uF	80V	CAPACITOR ELECTROLYTIC NICHICON GKHH SERIES	LGK1K103MHHD
C20	1		220pF		CAPACITOR RAD 2.5mm PITCH 3mm WIDTH 5.1mm LEN	FARNELL 237-085
C21	1		220pF		CAPACITOR RAD 2.5mm PITCH 3mm WIDTH 5.1mm LEN	FARNELL 237-085
C23	1		220pF		CAPACITOR RAD 2.5mm PITCH 3mm WIDTH 5.1mm LEN	FARNELL 237-085
C24	1		220pF		CAPACITOR RAD 2.5mm PITCH 3mm WIDTH 5.1mm LEN	FARNELL 237-085
C25	1		220pF		CAPACITOR RAD 2.5mm PITCH 3mm WIDTH 5.1mm LEN	FARNELL 237-085
C26	1		220pF		CAPACITOR RAD 2.5mm PITCH 3mm WIDTH 5.1mm LEN	FARNELL 237-085
C27	1		220pF		CAPACITOR RAD 2.5mm PITCH 3mm WIDTH 5.1mm LEN	FARNELL 237-085
C28	1		220pF		CAPACITOR RAD 2.5mm PITCH 3mm WIDTH 5.1mm LEN	FARNELL 237-085
C57	1		10nF	50V	CAPACITOR CERAMIC X7R 2.5mm PITCH	FARNELL 146-224
C58	1		10nF	50V	CAPACITOR CERAMIC X7R 2.5mm PITCH	FARNELL 146-224
C59	1		22pF		CAPACITOR RAD 2.5mm PITCH 3mm WIDTH 5.1mm LEN	FARNELL 236-962
C62	1		10nF	50V	CAPACITOR CERAMIC X7R 2.5mm PITCH	FARNELL 146-224
C63	1		22pF		CAPACITOR RAD 2.5mm PITCH 3mm WIDTH 5.1mm LEN	FARNELL 236-962
C64	1		22pF		CAPACITOR RAD 2.5mm PITCH 3mm WIDTH 5.1mm LEN	FARNELL 236-962
C65	1		10nF	50V	CAPACITOR CERAMIC X7R 2.5mm PITCH	FARNELL 146-224
C66	1		22pF		CAPACITOR RAD 2.5mm PITCH 3mm WIDTH 5.1mm LEN	FARNELL 236-962
C71	1		10nF	50V	CAPACITOR CERAMIC X7R 2.5mm PITCH	FARNELL 146-224
C72	1		10nF	50V	CAPACITOR CERAMIC X7R 2.5mm PITCH	FARNELL 146-224
AC17	1		1nF		CAPACITOR RAD 5mm PITCH 2.5mm WIDTH 5mm LEN	FARNELL 579-063
AC18	1		1nF		CAPACITOR RAD 5mm PITCH 2.5mm WIDTH 5mm LEN	FARNELL 579-063
BC17	1		1nF		CAPACITOR RAD 5mm PITCH 2.5mm WIDTH 5mm LEN	FARNELL 579-063
BC18	1		1nF		CAPACITOR RAD 5mm PITCH 2.5mm WIDTH 5mm LEN	FARNELL 579-063
CC17	1		1nF		CAPACITOR RAD 5mm PITCH 2.5mm WIDTH 5mm LEN	FARNELL 579-063
CC18	1		1nF		CAPACITOR RAD 5mm PITCH 2.5mm WIDTH 5mm LEN	FARNELL 579-063
DC17	1		1nF		CAPACITOR RAD 5mm PITCH 2.5mm WIDTH 5mm LEN	FARNELL 579-063
DC18	1		1nF		CAPACITOR RAD 5mm PITCH 2.5mm WIDTH 5mm LEN	FARNELL 579-063
AC36	1		100nF	63V	CAPACITOR RAD 5mm PITCH 2.5mm WIDTH 7.2mm LEN	FARNELL 303-896
AC37	1		100nF	63V	CAPACITOR RAD 5mm PITCH 2.5mm WIDTH 7.2mm LEN	FARNELL 303-896
AC42	1		100nF	63V	CAPACITOR RAD 5mm PITCH 2.5mm WIDTH 7.2mm LEN	FARNELL 303-896
AC45	1		100nF	63V	CAPACITOR RAD 5mm PITCH 2.5mm WIDTH 7.2mm LEN	FARNELL 303-896
BC36	1		100nF	63V	CAPACITOR RAD 5mm PITCH 2.5mm WIDTH 7.2mm LEN	FARNELL 303-896
BC37	1		100nF	63V	CAPACITOR RAD 5mm PITCH 2.5mm WIDTH 7.2mm LEN	FARNELL 303-896
BC42	1		100nF	63V	CAPACITOR RAD 5mm PITCH 2.5mm WIDTH 7.2mm LEN	FARNELL 303-896
BC45	1		100nF	63V	CAPACITOR RAD 5mm PITCH 2.5mm WIDTH 7.2mm LEN	FARNELL 303-896
C22	1		10nF	63V	CAPACITOR RAD 5mm PITCH 2.5mm WIDTH 7.2mm LEN	FARNELL 579-129



TITLE
CONTROLLER PCB PARTS LIST

DRG. NO.

ISS

A3680-6 -17 (1)

COPYRIGHT © 1997 DATE 05/12/97 DRAWN PLB

C52	1		100nF	63V	CAPACITOR RAD 5mm PITCH 2.5mm WIDTH 7.2mm LEN	FARNELL 303-896
C53	1		10nF	63V	CAPACITOR RAD 5mm PITCH 2.5mm WIDTH 7.2mm LEN	FARNELL 579-129
C54	1		10nF	63V	CAPACITOR RAD 5mm PITCH 2.5mm WIDTH 7.2mm LEN	FARNELL 579-129
C55	1		10nF	63V	CAPACITOR RAD 5mm PITCH 2.5mm WIDTH 7.2mm LEN	FARNELL 579-129
C56	1		100nF	63V	CAPACITOR RAD 5mm PITCH 2.5mm WIDTH 7.2mm LEN	FARNELL 303-896
C60	1		100nF	63V	CAPACITOR RAD 5mm PITCH 2.5mm WIDTH 7.2mm LEN	FARNELL 303-896
C61	1		100nF	63V	CAPACITOR RAD 5mm PITCH 2.5mm WIDTH 7.2mm LEN	FARNELL 303-896
CC36	1		100nF	63V	CAPACITOR RAD 5mm PITCH 2.5mm WIDTH 7.2mm LEN	FARNELL 303-896
CC37	1		100nF	63V	CAPACITOR RAD 5mm PITCH 2.5mm WIDTH 7.2mm LEN	FARNELL 303-896
CC42	1		100nF	63V	CAPACITOR RAD 5mm PITCH 2.5mm WIDTH 7.2mm LEN	FARNELL 303-896
CC45	1		100nF	63V	CAPACITOR RAD 5mm PITCH 2.5mm WIDTH 7.2mm LEN	FARNELL 303-896
DC36	1		100nF	63V	CAPACITOR RAD 5mm PITCH 2.5mm WIDTH 7.2mm LEN	FARNELL 303-896
DC37	1		100nF	63V	CAPACITOR RAD 5mm PITCH 2.5mm WIDTH 7.2mm LEN	FARNELL 303-896
DC42	1		100nF	63V	CAPACITOR RAD 5mm PITCH 2.5mm WIDTH 7.2mm LEN	FARNELL 303-896
DC45	1		100nF	63V	CAPACITOR RAD 5mm PITCH 2.5mm WIDTH 7.2mm LEN	FARNELL 303-896
AC30	1		100nF	63V	CAPACITOR RAD 5mm PITCH 3.5mm WIDTH 7.2mm LEN	FARNELL 303-896
AC31	1		100nF	63V	CAPACITOR RAD 5mm PITCH 3.5mm WIDTH 7.2mm LEN	FARNELL 303-896
AC32	1		100nF	63V	CAPACITOR RAD 5mm PITCH 3.5mm WIDTH 7.2mm LEN	FARNELL 303-896
AC33	1		100nF	63V	CAPACITOR RAD 5mm PITCH 3.5mm WIDTH 7.2mm LEN	FARNELL 303-896
AC34	1		220nF		CAPACITOR RAD 5mm PITCH 3.5mm WIDTH 7.2mm LEN	FARNELL 218-509
BC30	1		100nF	63V	CAPACITOR RAD 5mm PITCH 3.5mm WIDTH 7.2mm LEN	FARNELL 303-896
BC31	1		100nF	63V	CAPACITOR RAD 5mm PITCH 3.5mm WIDTH 7.2mm LEN	FARNELL 303-896
BC32	1		100nF	63V	CAPACITOR RAD 5mm PITCH 3.5mm WIDTH 7.2mm LEN	FARNELL 303-896
BC33	1		100nF	63V	CAPACITOR RAD 5mm PITCH 3.5mm WIDTH 7.2mm LEN	FARNELL 303-896
BC34	1		220nF		CAPACITOR RAD 5mm PITCH 3.5mm WIDTH 7.2mm LEN	FARNELL 218-509
C45	1		220nF		CAPACITOR RAD 5mm PITCH 3.5mm WIDTH 7.2mm LEN	FARNELL 218-509
C49	1		220nF		CAPACITOR RAD 5mm PITCH 3.5mm WIDTH 7.2mm LEN	FARNELL 218-509
C51	1		220nF		CAPACITOR RAD 5mm PITCH 3.5mm WIDTH 7.2mm LEN	FARNELL 218-509
C67	1		100nF	100V	CAPACITOR POLYESTER	FARNELL 304-001
C68	1		100nF	100V	CAPACITOR POLYESTER	FARNELL 304-001
C69	1		100nF	100V	CAPACITOR POLYESTER	FARNELL 304-001
C70	1		100nF	100V	CAPACITOR POLYESTER	FARNELL 304-001
CC30	1		100nF	63V	CAPACITOR RAD 5mm PITCH 3.5mm WIDTH 7.2mm LEN	FARNELL 303-896
CC31	1		100nF	63V	CAPACITOR RAD 5mm PITCH 3.5mm WIDTH 7.2mm LEN	FARNELL 303-896
CC32	1		100nF	63V	CAPACITOR RAD 5mm PITCH 3.5mm WIDTH 7.2mm LEN	FARNELL 303-896
CC33	1		100nF	63V	CAPACITOR RAD 5mm PITCH 3.5mm WIDTH 7.2mm LEN	FARNELL 303-896
CC34	1		220nF		CAPACITOR RAD 5mm PITCH 3.5mm WIDTH 7.2mm LEN	FARNELL 218-509
DC30	1		100nF	63V	CAPACITOR RAD 5mm PITCH 3.5mm WIDTH 7.2mm LEN	FARNELL 303-896
DC31	1		100nF	63V	CAPACITOR RAD 5mm PITCH 3.5mm WIDTH 7.2mm LEN	FARNELL 303-896
DC32	1		100nF	63V	CAPACITOR RAD 5mm PITCH 3.5mm WIDTH 7.2mm LEN	FARNELL 303-896
DC33	1		100nF	63V	CAPACITOR RAD 5mm PITCH 3.5mm WIDTH 7.2mm LEN	FARNELL 303-896
DC34	1		220nF		CAPACITOR RAD 5mm PITCH 3.5mm WIDTH 7.2mm LEN	FARNELL 218-509
C1	1		100uF	50V	CAP ELECTROLYTIC PANASONIC 105oC NHE SERIES	FARNELL 698-702
C11	1		100uF	50V	CAP ELECTROLYTIC PANASONIC 105oC NHE SERIES	FARNELL 698-702
C12	1		100uF	50V	CAP ELECTROLYTIC PANASONIC 105oC NHE SERIES	FARNELL 698-702
C13	1		100uF	50V	CAP ELECTROLYTIC PANASONIC 105oC NHE SERIES	FARNELL 698-702
C14	1		100uF	50V	CAP ELECTROLYTIC PANASONIC 105oC NHE SERIES	FARNELL 698-702
C15	1		100uF	50V	CAP ELECTROLYTIC PANASONIC 105oC NHE SERIES	FARNELL 698-702



TITLE
CONTROLLER PCB PARTS LIST

DRG. NO. A3680-7-17
ISS 1

COPYRIGHT © 1997 DATE 05/12/97 DRAWN PLB

C16	1		100uF	50V	CAP ELECTROLYTIC PANASONIC 105oC NHE SERIES	FARNELL 698-702
C17	1		100uF	50V	CAP ELECTROLYTIC PANASONIC 105oC NHE SERIES	FARNELL 698-702
C18	1		100uF	50V	CAP ELECTROLYTIC PANASONIC 105oC NHE SERIES	FARNELL 698-702
C19	1		100uF	50V	CAP ELECTROLYTIC PANASONIC 105oC NHE SERIES	FARNELL 698-702
C2	1		100uF	50V	CAP ELECTROLYTIC PANASONIC 105oC NHE SERIES	FARNELL 698-702
C3	1		100uF	50V	CAP ELECTROLYTIC PANASONIC 105oC NHE SERIES	FARNELL 698-702
C4	1		100uF	50V	CAP ELECTROLYTIC PANASONIC 105oC NHE SERIES	FARNELL 698-702
C5	1		100uF	50V	CAP ELECTROLYTIC PANASONIC 105oC NHE SERIES	FARNELL 698-702
C50	1		100uF	50V	CAP ELECTROLYTIC PANASONIC 105oC NHE SERIES	FARNELL 698-702
C6	1		100uF	50V	CAP ELECTROLYTIC PANASONIC 105oC NHE SERIES	FARNELL 698-702
C7	1		100uF	50V	CAP ELECTROLYTIC PANASONIC 105oC NHE SERIES	FARNELL 698-702
AC35	1		220uF	50V	CAP ELECTROLYTIC PANASONIC 105oC NHE SERIES	FARNELL 698-714
AC9	1		220uF	50V	CAP ELECTROLYTIC PANASONIC 105oC NHE SERIES	FARNELL 698-714
BC35	1		220uF	50V	CAP ELECTROLYTIC PANASONIC 105oC NHE SERIES	FARNELL 698-714
BC9	1		220uF	50V	CAP ELECTROLYTIC PANASONIC 105oC NHE SERIES	FARNELL 698-714
C46	1		470uF	25V	CAP ELECTROLYTIC PANASONIC 105oC NHE SERIES	FARNELL 698-581
CC35	1		220uF	50V	CAP ELECTROLYTIC PANASONIC 105oC NHE SERIES	FARNELL 698-714
CC9	1		220uF	50V	CAP ELECTROLYTIC PANASONIC 105oC NHE SERIES	FARNELL 698-714
DC35	1		220uF	50V	CAP ELECTROLYTIC PANASONIC 105oC NHE SERIES	FARNELL 698-714
DC9	1		220uF	50V	CAP ELECTROLYTIC PANASONIC 105oC NHE SERIES	FARNELL 698-714
C10	1		2200uF	50V	CAP ELECTROLYTIC PANASONIC 105oC NHE SERIES	FARNELL 698-751
C9	1		2200uF	50V	CAP ELECTROLYTIC PANASONIC 105oC NHE SERIES	FARNELL 698-751
C47	1		4700uF	35V	CAP ELECTROLYTIC PANASONIC TSUP	FARNELL 652-088
C48	1		15000uF	25V	CAP ELECTROLYTIC 85oC RUBYCON US SERIES	FARNELL 490-945
L1	1		1mH		CHOKE OPEN FRAME PLAA-1022R0R01B1	RS394-327 F869-831
L2	1		1mH		CHOKE OPEN FRAME PLAA-1022R0R01B1	RS394-327 F869-831
L3	1		1mH		CHOKE OPEN FRAME PLAA-1022R0R01B1	RS394-327 F869-831
L4	1		1mH		CHOKE OPEN FRAME PLAA-1022R0R01B1	RS394-327 F869-831
L5	1		1mH		CHOKE OPEN FRAME PLAA-1022R0R01B1	RS394-327 F869-831
L6	1		1mH		CHOKE OPEN FRAME PLAA-1022R0R01B1	RS394-327 F869-831
L7	1		1mH		CHOKE OPEN FRAME PLAA-1022R0R01B1	RS394-327 F869-831
L8	1		1mH		CHOKE OPEN FRAME PLAA-1022R0R01B1	RS394-327 F869-831
RL1	1		BT47W	12V	DOUBLE POLE CHANGEOVER RELAY	FARNELL 466-797
F1	1				DUAL FUSE HOLDER 20mm x 5mm / 6.3mm x 32mm	RS197-9446
F2	1				DUAL FUSE HOLDER 20mm x 5mm / 6.3mm x 32mm	RS197-9446
F3	1				DUAL FUSE HOLDER 20mm x 5mm / 6.3mm x 32mm	RS197-9446
L11	1		3u3		INDUCTOR SIEMENS B78108 SERIES	FARNELL 608-452
L12	1		3u3		INDUCTOR SIEMENS B78108 SERIES	FARNELL 608-452
L13	1		3u3		INDUCTOR SIEMENS B78108 SERIES	FARNELL 608-452
L14	1		3u3		INDUCTOR SIEMENS B78108 SERIES	FARNELL 608-452
L15	1		3u3		INDUCTOR SIEMENS B78108 SERIES	FARNELL 608-452
L16	1		3u3		INDUCTOR SIEMENS B78108 SERIES	FARNELL 608-452
L17	1		3u3		INDUCTOR SIEMENS B78108 SERIES	FARNELL 608-452
L18	1		3u3		INDUCTOR SIEMENS B78108 SERIES	FARNELL 608-452
L19	1		3u3		INDUCTOR SIEMENS B78108 SERIES	FARNELL 608-452
L20	1		3u3		INDUCTOR SIEMENS B78108 SERIES	FARNELL 608-452
L21	1		3u3		INDUCTOR SIEMENS B78108 SERIES	FARNELL 608-452
L22	1		3u3		INDUCTOR SIEMENS B78108 SERIES	FARNELL 608-452



TITLE
CONTROLLER PCB PARTS LIST

DRG. NO. A3680-8 -17
ISS 1

COPYRIGHT © 1997 DATE 05/12/97 DRAWN PLB

AR60	1		100K		9-PIN RESISTOR ARRAY 8 RESISTORS WITH COMMON	FARNELL 148-988
AR46	1		10R		RES FUSABLE 0.33W NFR25 PRE FORM SEE DETAIL A	FARNELL 341-526
AR48	1		10R		RES FUSABLE 0.33W NFR25 PRE FORM SEE DETAIL A	FARNELL 341-526
AR58	1		10R		RES FUSABLE 0.33W NFR25 PRE FORM SEE DETAIL A	FARNELL 341-526
AR59	1		10R		RES FUSABLE 0.33W NFR25 PRE FORM SEE DETAIL A	FARNELL 341-526
BR46	1		10R		RES FUSABLE 0.33W NFR25 PRE FORM SEE DETAIL A	FARNELL 341-526
BR48	1		10R		RES FUSABLE 0.33W NFR25 PRE FORM SEE DETAIL A	FARNELL 341-526
BR58	1		10R		RES FUSABLE 0.33W NFR25 PRE FORM SEE DETAIL A	FARNELL 341-526
BR59	1		10R		RES FUSABLE 0.33W NFR25 PRE FORM SEE DETAIL A	FARNELL 341-526
CR46	1		10R		RES FUSABLE 0.33W NFR25 PRE FORM SEE DETAIL A	FARNELL 341-526
CR48	1		10R		RES FUSABLE 0.33W NFR25 PRE FORM SEE DETAIL A	FARNELL 341-526
CR58	1		10R		RES FUSABLE 0.33W NFR25 PRE FORM SEE DETAIL A	FARNELL 341-526
CR59	1		10R		RES FUSABLE 0.33W NFR25 PRE FORM SEE DETAIL A	FARNELL 341-526
DR46	1		10R		RES FUSABLE 0.33W NFR25 PRE FORM SEE DETAIL A	FARNELL 341-526
DR48	1		10R		RES FUSABLE 0.33W NFR25 PRE FORM SEE DETAIL A	FARNELL 341-526
DR58	1		10R		RES FUSABLE 0.33W NFR25 PRE FORM SEE DETAIL A	FARNELL 341-526
DR59	1		10R		RES FUSABLE 0.33W NFR25 PRE FORM SEE DETAIL A	FARNELL 341-526
R28	1		10R		RES FUSABLE 0.33W NFR25 PRE FORM SEE DETAIL A	FARNELL 341-526
R36	1		10R		RES FUSABLE 0.33W NFR25 PRE FORM SEE DETAIL A	FARNELL 341-526
TR18	1		J112		JFET	
TR21	1		J112		JFET	
TR24	1		J112		JFET	
TR25	1		J112		JFET	
TR12	1		ZVN4206A		MOSFET TRANSISTOR SMALL SIGNAL	
TR6	1		ZVN4206A		MOSFET TRANSISTOR SMALL SIGNAL	
TR15	1		BD135		NPN POWER TRANSISTOR LOW VOLTAGE	
TR1	1		BC546		NPN Small signal Transistor	
TR10	1		BC546		NPN Small signal Transistor	
TR11	1		BC556		PNP Small signal Transistor	
TR13	1		BC546		NPN Small signal Transistor	
TR14	1		BC556		PNP Small signal Transistor	
TR16	1		BC546		NPN Small signal Transistor	
TR17	1		BC556		PNP Small signal Transistor	
TR19	1		BC546		NPN Small signal Transistor	
TR2	1		BC556		PNP Small signal Transistor	
TR20	1		BC556		PNP Small signal Transistor	
TR22	1		BC546		NPN Small signal Transistor	
TR23	1		BC556		PNP Small signal Transistor	
TR3	1		BC556		PNP Small signal Transistor	
TR4	1		BC546		NPN Small signal Transistor	
TR5	1		BC556		PNP Small signal Transistor	
TR7	1		BC546		NPN Small signal Transistor	
TR8	1		BC556		PNP Small signal Transistor	
ASK1	1				PHONO CONNECTOR 3 WAY RIGHT ANGLE GOLD	TREM/JALCO RA3L3P
ASK3	1				PHONO CONNECTOR 3 WAY RIGHT ANGLE GOLD	TREM/JALCO RA3L3P
ASK6	1				PHONO CONNECTOR 3 WAY RIGHT ANGLE GOLD	TREM/JALCO RA3L3P
ASK2	1				PHONO CONNECTOR 4 WAY RIGHT ANGLE GOLD	TREMIVER PS-3284
ASK4	1				PHONO CONNECTOR 4 WAY RIGHT ANGLE GOLD	TREMIVER PS-3284



TITLE
CONTROLLER PCB PARTS LIST

DRG. NO. **A3680-9 -17** ISS **1**

COPYRIGHT © 1997 DATE 05/12/97 DRAWN PLB

ASK5	1			PHONO CONNECTOR 4 WAY RIGHT ANGLE GOLD	TREMIVER PS-3284
PS1	1	RUE160		POLYSWITCH 1.6A RAYCHEM	FARNELL 608-920
PS10	1	RUE160		POLYSWITCH 1.6A RAYCHEM	FARNELL 608-920
PS11	1	RUE160		POLYSWITCH 1.6A RAYCHEM	FARNELL 608-920
PS12	1	RUE160		POLYSWITCH 1.6A RAYCHEM	FARNELL 608-920
PS13	1	RUE160		POLYSWITCH 1.6A RAYCHEM	FARNELL 608-920
PS14	1	RUE160		POLYSWITCH 1.6A RAYCHEM	FARNELL 608-920
PS15	1	RUE160		POLYSWITCH 1.6A RAYCHEM	FARNELL 608-920
PS16	1	RUE160		POLYSWITCH 1.6A RAYCHEM	FARNELL 608-920
PS17	1	RXE040		POLYSWITCH 0.4A RAYCHEM	FARNELL 608-841
PS18	1	RXE040		POLYSWITCH 0.4A RAYCHEM	FARNELL 608-841
PS19	1	RXE040		POLYSWITCH 0.4A RAYCHEM	FARNELL 608-841
PS2	1	RUE160		POLYSWITCH 1.6A RAYCHEM	FARNELL 608-920
PS3	1	RUE160		POLYSWITCH 1.6A RAYCHEM	FARNELL 608-920
PS4	1	RUE160		POLYSWITCH 1.6A RAYCHEM	FARNELL 608-920
PS5	1	RUE160		POLYSWITCH 1.6A RAYCHEM	FARNELL 608-920
PS6	1	RUE160		POLYSWITCH 1.6A RAYCHEM	FARNELL 608-920
PS7	1	RUE160		POLYSWITCH 1.6A RAYCHEM	FARNELL 608-920
PS8	1	RUE160		POLYSWITCH 1.6A RAYCHEM	FARNELL 608-920
PS9	1	RUE160		POLYSWITCH 1.6A RAYCHEM	FARNELL 608-920
R156	1	24R		RESISTOR 1W	
R37	1	24R		RESISTOR 1W	
AR1	1	100R		RESISTOR 0.6W 1% PHILIPS MRS25	
AR10	1	270R		RESISTOR 0.6W 1% PHILIPS MRS25	
AR15	1	220R		RESISTOR 0.6W 1% PHILIPS MRS25	
AR16	1	220R		RESISTOR 0.6W 1% PHILIPS MRS25	
AR17	1	1K		RESISTOR 0.6W 1% PHILIPS MRS25	
AR2	1	100R		RESISTOR 0.6W 1% PHILIPS MRS25	
AR20	1	27K		RESISTOR 0.6W 1% PHILIPS MRS25	
AR21	1	27K		RESISTOR 0.6W 1% PHILIPS MRS25	
AR22	1	27K		RESISTOR 0.6W 1% PHILIPS MRS25	
AR24	1	27K		RESISTOR 0.6W 1% PHILIPS MRS25	
AR30	1	2K2		RESISTOR 0.6W 1% PHILIPS MRS25	
AR31	1	270R		RESISTOR 0.6W 1% PHILIPS MRS25	
AR32	1	9K1		RESISTOR 0.6W 1% PHILIPS MRS25	
AR33	1	9K1		RESISTOR 0.6W 1% PHILIPS MRS25	
AR35	1	13K		RESISTOR 0.6W 1% PHILIPS MRS25	
AR36	1	13K		RESISTOR 0.6W 1% PHILIPS MRS25	
AR37	1	13K		RESISTOR 0.6W 1% PHILIPS MRS25	
AR38	1	75K		RESISTOR 0.6W 1% PHILIPS MRS25	
AR39	1	75K		RESISTOR 0.6W 1% PHILIPS MRS25	
AR40	1	13K		RESISTOR 0.6W 1% PHILIPS MRS25	
AR41	1	75K		RESISTOR 0.6W 1% PHILIPS MRS25	
AR42	1	75K		RESISTOR 0.6W 1% PHILIPS MRS25	
AR43	1	10K		RESISTOR 0.6W 1% PHILIPS MRS25	
AR44	1	47R		RESISTOR 0.6W 1% PHILIPS MRS25	
AR45	1	47R		RESISTOR 0.6W 1% PHILIPS MRS25	
AR47	1	13K		RESISTOR 0.6W 1% PHILIPS MRS25	
AR49	1	75K		RESISTOR 0.6W 1% PHILIPS MRS25	



TITLE
CONTROLLER PCB PARTS LIST

DRG. NO. ISS
A3680-10-17 (1)

COPYRIGHT © 1997 DATE 05/12/97 DRAWN PLB

AR51	1		13K		RESISTOR 0.6W 1% PHILIPS MRS25	
AR52	1		75K		RESISTOR 0.6W 1% PHILIPS MRS25	
AR53	1		13K		RESISTOR 0.6W 1% PHILIPS MRS25	
AR54	1		75K		RESISTOR 0.6W 1% PHILIPS MRS25	
AR55	1		75K		RESISTOR 0.6W 1% PHILIPS MRS25	
AR56	1		13K		RESISTOR 0.6W 1% PHILIPS MRS25	
AR57	1		10K		RESISTOR 0.6W 1% PHILIPS MRS25	
AR9	1		1K8		RESISTOR 0.6W 1% PHILIPS MRS25	
BR1	1		100R		RESISTOR 0.6W 1% PHILIPS MRS25	
BR10	1		270R		RESISTOR 0.6W 1% PHILIPS MRS25	
BR2	1		100R		RESISTOR 0.6W 1% PHILIPS MRS25	
BR30	1		2K2		RESISTOR 0.6W 1% PHILIPS MRS25	
BR31	1		270R		RESISTOR 0.6W 1% PHILIPS MRS25	
BR32	1		9K1		RESISTOR 0.6W 1% PHILIPS MRS25	
BR33	1		9K1		RESISTOR 0.6W 1% PHILIPS MRS25	
BR35	1		13K		RESISTOR 0.6W 1% PHILIPS MRS25	
BR36	1		13K		RESISTOR 0.6W 1% PHILIPS MRS25	
BR37	1		13K		RESISTOR 0.6W 1% PHILIPS MRS25	
BR38	1		75K		RESISTOR 0.6W 1% PHILIPS MRS25	
BR39	1		75K		RESISTOR 0.6W 1% PHILIPS MRS25	
BR40	1		13K		RESISTOR 0.6W 1% PHILIPS MRS25	
BR41	1		75K		RESISTOR 0.6W 1% PHILIPS MRS25	
BR42	1		75K		RESISTOR 0.6W 1% PHILIPS MRS25	
BR43	1		10K		RESISTOR 0.6W 1% PHILIPS MRS25	
BR44	1		47R		RESISTOR 0.6W 1% PHILIPS MRS25	
BR45	1		47R		RESISTOR 0.6W 1% PHILIPS MRS25	
BR47	1		13K		RESISTOR 0.6W 1% PHILIPS MRS25	
BR49	1		75K		RESISTOR 0.6W 1% PHILIPS MRS25	
BR51	1		13K		RESISTOR 0.6W 1% PHILIPS MRS25	
BR52	1		75K		RESISTOR 0.6W 1% PHILIPS MRS25	
BR53	1		13K		RESISTOR 0.6W 1% PHILIPS MRS25	
BR54	1		75K		RESISTOR 0.6W 1% PHILIPS MRS25	
BR55	1		75K		RESISTOR 0.6W 1% PHILIPS MRS25	
BR56	1		13K		RESISTOR 0.6W 1% PHILIPS MRS25	
BR57	1		10K		RESISTOR 0.6W 1% PHILIPS MRS25	
BR9	1		1K8		RESISTOR 0.6W 1% PHILIPS MRS25	
CR1	1		100R		RESISTOR 0.6W 1% PHILIPS MRS25	
CR10	1		270R		RESISTOR 0.6W 1% PHILIPS MRS25	
CR2	1		100R		RESISTOR 0.6W 1% PHILIPS MRS25	
CR30	1		2K2		RESISTOR 0.6W 1% PHILIPS MRS25	
CR31	1		270R		RESISTOR 0.6W 1% PHILIPS MRS25	
CR32	1		9K1		RESISTOR 0.6W 1% PHILIPS MRS25	
CR33	1		9K1		RESISTOR 0.6W 1% PHILIPS MRS25	
CR35	1		13K		RESISTOR 0.6W 1% PHILIPS MRS25	
CR36	1		13K		RESISTOR 0.6W 1% PHILIPS MRS25	
CR37	1		13K		RESISTOR 0.6W 1% PHILIPS MRS25	
CR38	1		75K		RESISTOR 0.6W 1% PHILIPS MRS25	
CR39	1		75K		RESISTOR 0.6W 1% PHILIPS MRS25	
CR40	1		13K		RESISTOR 0.6W 1% PHILIPS MRS25	



TITLE
CONTROLLER PCB PARTS LIST

DRG. NO.

ISS

A3680-11-17 (1)

COPYRIGHT © 1997 DATE 05/12/97 DRAWN PLB

CR41	1	75K	RESISTOR 0.6W 1% PHILIPS MRS25
CR42	1	75K	RESISTOR 0.6W 1% PHILIPS MRS25
CR43	1	10K	RESISTOR 0.6W 1% PHILIPS MRS25
CR44	1	47R	RESISTOR 0.6W 1% PHILIPS MRS25
CR45	1	47R	RESISTOR 0.6W 1% PHILIPS MRS25
CR47	1	13K	RESISTOR 0.6W 1% PHILIPS MRS25
CR49	1	75K	RESISTOR 0.6W 1% PHILIPS MRS25
CR51	1	13K	RESISTOR 0.6W 1% PHILIPS MRS25
CR52	1	75K	RESISTOR 0.6W 1% PHILIPS MRS25
CR53	1	13K	RESISTOR 0.6W 1% PHILIPS MRS25
CR54	1	75K	RESISTOR 0.6W 1% PHILIPS MRS25
CR55	1	75K	RESISTOR 0.6W 1% PHILIPS MRS25
CR56	1	13K	RESISTOR 0.6W 1% PHILIPS MRS25
CR57	1	10K	RESISTOR 0.6W 1% PHILIPS MRS25
CR9	1	1K8	RESISTOR 0.6W 1% PHILIPS MRS25
DR1	1	100R	RESISTOR 0.6W 1% PHILIPS MRS25
DR10	1	270R	RESISTOR 0.6W 1% PHILIPS MRS25
DR2	1	100R	RESISTOR 0.6W 1% PHILIPS MRS25
DR30	1	2K2	RESISTOR 0.6W 1% PHILIPS MRS25
DR31	1	270R	RESISTOR 0.6W 1% PHILIPS MRS25
DR32	1	9K1	RESISTOR 0.6W 1% PHILIPS MRS25
DR33	1	9K1	RESISTOR 0.6W 1% PHILIPS MRS25
DR35	1	13K	RESISTOR 0.6W 1% PHILIPS MRS25
DR36	1	13K	RESISTOR 0.6W 1% PHILIPS MRS25
DR37	1	13K	RESISTOR 0.6W 1% PHILIPS MRS25
DR38	1	75K	RESISTOR 0.6W 1% PHILIPS MRS25
DR39	1	75K	RESISTOR 0.6W 1% PHILIPS MRS25
DR40	1	13K	RESISTOR 0.6W 1% PHILIPS MRS25
DR41	1	75K	RESISTOR 0.6W 1% PHILIPS MRS25
DR42	1	75K	RESISTOR 0.6W 1% PHILIPS MRS25
DR43	1	10K	RESISTOR 0.6W 1% PHILIPS MRS25
DR44	1	47R	RESISTOR 0.6W 1% PHILIPS MRS25
DR45	1	47R	RESISTOR 0.6W 1% PHILIPS MRS25
DR47	1	13K	RESISTOR 0.6W 1% PHILIPS MRS25
DR49	1	75K	RESISTOR 0.6W 1% PHILIPS MRS25
DR51	1	13K	RESISTOR 0.6W 1% PHILIPS MRS25
DR52	1	75K	RESISTOR 0.6W 1% PHILIPS MRS25
DR53	1	13K	RESISTOR 0.6W 1% PHILIPS MRS25
DR54	1	75K	RESISTOR 0.6W 1% PHILIPS MRS25
DR55	1	75K	RESISTOR 0.6W 1% PHILIPS MRS25
DR56	1	13K	RESISTOR 0.6W 1% PHILIPS MRS25
DR57	1	10K	RESISTOR 0.6W 1% PHILIPS MRS25
DR9	1	1K8	RESISTOR 0.6W 1% PHILIPS MRS25
R1	1	100K	RESISTOR 0.6W 1% PHILIPS MRS25
R10	1	100R	RESISTOR 0.6W 1% PHILIPS MRS25
R100	1	4K7	RESISTOR 0.6W 1% PHILIPS MRS25
R101	1	4K7	RESISTOR 0.6W 1% PHILIPS MRS25
R102	1	5K6	RESISTOR 0.6W 1% PHILIPS MRS25



TITLE
CONTROLLER PCB PARTS LIST

DRG. NO. ISS
A3680-12-17 (1)

COPYRIGHT © 1997 DATE 05/12/97 DRAWN PLB

R103	1		5K6		RESISTOR 0.6W 1% PHILIPS MRS25	
R104	1		300R		RESISTOR 0.6W 1% PHILIPS MRS25	
R105	1		300R		RESISTOR 0.6W 1% PHILIPS MRS25	
R106	1		1K		RESISTOR 0.6W 1% PHILIPS MRS25	
R107	1		1K		RESISTOR 0.6W 1% PHILIPS MRS25	
R108	1		62K		RESISTOR 0.6W 1% PHILIPS MRS25	
R109	1		100K		RESISTOR 0.6W 1% PHILIPS MRS25	
R11	1		10K		RESISTOR 0.6W 1% PHILIPS MRS25	
R110	1		10K		RESISTOR 0.6W 1% PHILIPS MRS25	
R111	1		62K		RESISTOR 0.6W 1% PHILIPS MRS25	
R112	1		4K7		RESISTOR 0.6W 1% PHILIPS MRS25	
R113	1		4K7		RESISTOR 0.6W 1% PHILIPS MRS25	
R114	1		5K6		RESISTOR 0.6W 1% PHILIPS MRS25	
R115	1		5K6		RESISTOR 0.6W 1% PHILIPS MRS25	
R116	1		300R		RESISTOR 0.6W 1% PHILIPS MRS25	
R117	1		300R		RESISTOR 0.6W 1% PHILIPS MRS25	
R118	1		1K		RESISTOR 0.6W 1% PHILIPS MRS25	
R119	1		1K		RESISTOR 0.6W 1% PHILIPS MRS25	
R12	1		10K		RESISTOR 0.6W 1% PHILIPS MRS25	
R120	1		100K		RESISTOR 0.6W 1% PHILIPS MRS25	
R121	1		62K		RESISTOR 0.6W 1% PHILIPS MRS25	
R122	1		10K		RESISTOR 0.6W 1% PHILIPS MRS25	
R123	1		100K		RESISTOR 0.6W 1% PHILIPS MRS25	
R124	1		4K7		RESISTOR 0.6W 1% PHILIPS MRS25	
R125	1		4K7		RESISTOR 0.6W 1% PHILIPS MRS25	
R126	1		5K6		RESISTOR 0.6W 1% PHILIPS MRS25	
R127	1		5K6		RESISTOR 0.6W 1% PHILIPS MRS25	
R128	1		300R		RESISTOR 0.6W 1% PHILIPS MRS25	
R129	1		300R		RESISTOR 0.6W 1% PHILIPS MRS25	
R13	1		1K5		RESISTOR 0.6W 1% PHILIPS MRS25	
R130	1		1K		RESISTOR 0.6W 1% PHILIPS MRS25	
R131	1		1K		RESISTOR 0.6W 1% PHILIPS MRS25	
R132	1		62K		RESISTOR 0.6W 1% PHILIPS MRS25	
R133	1		100K		RESISTOR 0.6W 1% PHILIPS MRS25	
R134	1		10K		RESISTOR 0.6W 1% PHILIPS MRS25	
R136	1		4K7		RESISTOR 0.6W 1% PHILIPS MRS25	
R137	1		4K7		RESISTOR 0.6W 1% PHILIPS MRS25	
R138	1		5K6		RESISTOR 0.6W 1% PHILIPS MRS25	
R139	1		5K6		RESISTOR 0.6W 1% PHILIPS MRS25	
R14	1		2K2		RESISTOR 0.6W 1% PHILIPS MRS25	
R140	1		300R		RESISTOR 0.6W 1% PHILIPS MRS25	
R141	1		300R		RESISTOR 0.6W 1% PHILIPS MRS25	
R142	1		1K		RESISTOR 0.6W 1% PHILIPS MRS25	
R143	1		1K		RESISTOR 0.6W 1% PHILIPS MRS25	
R144	1		330R		RESISTOR 0.6W 1% PHILIPS MRS25	
R145	1		2K2		RESISTOR 0.6W 1% PHILIPS MRS25	
R146	1		10K		RESISTOR 0.6W 1% PHILIPS MRS25	
R148	1		4K7		RESISTOR 0.6W 1% PHILIPS MRS25	



TITLE
CONTROLLER PCB PARTS LIST

DRG. NO.

ISS

A3680-13-17 (1)

COPYRIGHT © 1997 DATE 05/12/97 DRAWN PLB

R149	1		4K7		RESISTOR 0.6W 1% PHILIPS MRS25	
R15	1		100K		RESISTOR 0.6W 1% PHILIPS MRS25	
R150	1		5K6		RESISTOR 0.6W 1% PHILIPS MRS25	
R151	1		5K6		RESISTOR 0.6W 1% PHILIPS MRS25	
R152	1		300R		RESISTOR 0.6W 1% PHILIPS MRS25	
R153	1		300R		RESISTOR 0.6W 1% PHILIPS MRS25	
R154	1		1K		RESISTOR 0.6W 1% PHILIPS MRS25	
R155	1		1K		RESISTOR 0.6W 1% PHILIPS MRS25	
R157	1		1M		RESISTOR 0.6W 1% PHILIPS MRS25	
R16	1		100K		RESISTOR 0.6W 1% PHILIPS MRS25	
R163	1		5K6		RESISTOR 0.6W 1% PHILIPS MRS25	
R165	1		3K6		RESISTOR 0.6W 1% PHILIPS MRS25	
R166	1		10K		RESISTOR 0.6W 1% PHILIPS MRS25	
R167	1		10K		RESISTOR 0.6W 1% PHILIPS MRS25	
R168	1		47R		RESISTOR 0.6W 1% PHILIPS MRS25	
R17	1		100K		RESISTOR 0.6W 1% PHILIPS MRS25	
R18	1		100K		RESISTOR 0.6W 1% PHILIPS MRS25	
R19	1		1M		RESISTOR 0.6W 1% PHILIPS MRS25	
R2	1		100K		RESISTOR 0.6W 1% PHILIPS MRS25	
R20	1		10K		RESISTOR 0.6W 1% PHILIPS MRS25	
R21	1		100K		RESISTOR 0.6W 1% PHILIPS MRS25	
R22	1		4K7		RESISTOR 0.6W 1% PHILIPS MRS25	
R23	1		10K		RESISTOR 0.6W 1% PHILIPS MRS25	
R24	1		100R		RESISTOR 0.6W 1% PHILIPS MRS25	
R25	1		10K		RESISTOR 0.6W 1% PHILIPS MRS25	
R26	1		10K		RESISTOR 0.6W 1% PHILIPS MRS25	
R27	1		4K7		RESISTOR 0.6W 1% PHILIPS MRS25	
R29	1		5K6		RESISTOR 0.6W 1% PHILIPS MRS25	
R3	1		100K		RESISTOR 0.6W 1% PHILIPS MRS25	
R30	1		2K2		RESISTOR 0.6W 1% PHILIPS MRS25	
R31	1		1M		RESISTOR 0.6W 1% PHILIPS MRS25	
R32	1		1M		RESISTOR 0.6W 1% PHILIPS MRS25	
R33	1		1M		RESISTOR 0.6W 1% PHILIPS MRS25	
R34	1		2K2		RESISTOR 0.6W 1% PHILIPS MRS25	
R35	1		330R		RESISTOR 0.6W 1% PHILIPS MRS25	
R39	1		2K2		RESISTOR 0.6W 1% PHILIPS MRS25	
R4	1		100K		RESISTOR 0.6W 1% PHILIPS MRS25	
R40	1		2K2		RESISTOR 0.6W 1% PHILIPS MRS25	
R41	1		2K2		RESISTOR 0.6W 1% PHILIPS MRS25	
R42	1		2K2		RESISTOR 0.6W 1% PHILIPS MRS25	
R43	1		2K2		RESISTOR 0.6W 1% PHILIPS MRS25	
R44	1		2K2		RESISTOR 0.6W 1% PHILIPS MRS25	
R45	1		2K2		RESISTOR 0.6W 1% PHILIPS MRS25	
R46	1		2K2		RESISTOR 0.6W 1% PHILIPS MRS25	
R48	1		2K2		RESISTOR 0.6W 1% PHILIPS MRS25	
R49	1		2K2		RESISTOR 0.6W 1% PHILIPS MRS25	
R5	1		1K5		RESISTOR 0.6W 1% PHILIPS MRS25	
R50	1		5K6		RESISTOR 0.6W 1% PHILIPS MRS25	



TITLE
CONTROLLER PCB PARTS LIST

DRG. NO. A3680-15-17
ISS (1)

COPYRIGHT © 1997 DATE 05/12/97 DRAWN PLB

R159	1		R22	3W	RESISTOR RADIAL LEAD 3W KVV4	FARNELL 344-102
R160	1		R22	3W	RESISTOR RADIAL LEAD 3W KVV4	FARNELL 344-102
R161	1		R22	3W	RESISTOR RADIAL LEAD 3W KVV4	FARNELL 344-102
R162	1		R22	3W	RESISTOR RADIAL LEAD 3W KVV4	FARNELL 344-102
R62	1		R22	3W	RESISTOR RADIAL LEAD 3W KVV4	FARNELL 344-102
R63	1		R22	3W	RESISTOR RADIAL LEAD 3W KVV4	FARNELL 344-102
R7	1		R22	3W	RESISTOR RADIAL LEAD 3W KVV4	FARNELL 344-102
J20	1				SHIELDED RJ45 PCB SOCKET	FARNELL 473-236
J21	1				SHIELDED RJ45 PCB SOCKET	FARNELL 473-236
J22	1				SHIELDED RJ45 PCB SOCKET	FARNELL 473-236
J23	1				SHIELDED RJ45 PCB SOCKET	FARNELL 473-236
J24	1				SHIELDED RJ45 PCB SOCKET	FARNELL 473-236
J25	1				SHIELDED RJ45 PCB SOCKET	FARNELL 473-236
J26	1				SHIELDED RJ45 PCB SOCKET	FARNELL 473-236
J27	1				SHIELDED RJ45 PCB SOCKET	FARNELL 473-236
J3	1				SHIELDED RJ45 PCB SOCKET	FARNELL 473-236
J4	1				SHIELDED RJ45 PCB SOCKET	FARNELL 473-236
J5	1				SHIELDED RJ45 PCB SOCKET	FARNELL 473-236
J6	1				SHIELDED RJ45 PCB SOCKET	FARNELL 473-236
SW1	1				SWITCH PIANO KEY ACTUATED 4 WAY	FARNELL 285-985
TP1	1				TEST POINT RAISED LOOP	FARNELL 240-345
TP10	1				TEST POINT RAISED LOOP	FARNELL 240-345
TP11	1				TEST POINT RAISED LOOP	FARNELL 240-345
TP12	1				TEST POINT RAISED LOOP	FARNELL 240-345
TP13	1				TEST POINT RAISED LOOP	FARNELL 240-345
TP14	1				TEST POINT RAISED LOOP	FARNELL 240-345
TP15	1				TEST POINT RAISED LOOP	FARNELL 240-345
TP16	1				TEST POINT RAISED LOOP	FARNELL 240-345
TP17	1				TEST POINT RAISED LOOP	FARNELL 240-345
TP18	1				TEST POINT RAISED LOOP	FARNELL 240-345
TP19	1				TEST POINT RAISED LOOP	FARNELL 240-345
TP2	1				TEST POINT RAISED LOOP	FARNELL 240-345
TP20	1				TEST POINT RAISED LOOP	FARNELL 240-345
TP21	1				TEST POINT RAISED LOOP	FARNELL 240-345
TP22	1				TEST POINT RAISED LOOP	FARNELL 240-345
TP23	1				TEST POINT RAISED LOOP	FARNELL 240-345
TP24	1				TEST POINT RAISED LOOP	FARNELL 240-345
TP25	1				TEST POINT RAISED LOOP	FARNELL 240-345
TP26	1				TEST POINT RAISED LOOP	FARNELL 240-345
TP27	1				TEST POINT RAISED LOOP	FARNELL 240-345
TP28	1				TEST POINT RAISED LOOP	FARNELL 240-345
TP29	1				TEST POINT RAISED LOOP	FARNELL 240-345
TP3	1				TEST POINT RAISED LOOP	FARNELL 240-345
TP30	1				TEST POINT RAISED LOOP	FARNELL 240-345
TP31	1				TEST POINT RAISED LOOP	FARNELL 240-345
TP32	1				TEST POINT RAISED LOOP	FARNELL 240-345
TP33	1				TEST POINT RAISED LOOP	FARNELL 240-345
TP34	1				TEST POINT RAISED LOOP	FARNELL 240-345

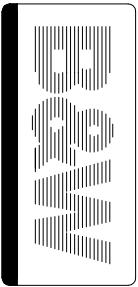


TITLE
CONTROLLER PCB PARTS LIST

DRG. NO. **A3680-16-17** ISS **1**

COPYRIGHT © 1997 DATE 05/12/97 DRAWN PLB

TP35	1			TEST POINT RAISED LOOP	FARNELL 240-345
TP36	1			TEST POINT RAISED LOOP	FARNELL 240-345
TP4	1			TEST POINT RAISED LOOP	FARNELL 240-345
TP5	1			TEST POINT RAISED LOOP	FARNELL 240-345
TP6	1			TEST POINT RAISED LOOP	FARNELL 240-345
TP7	1			TEST POINT RAISED LOOP	FARNELL 240-345
TP8	1			TEST POINT RAISED LOOP	FARNELL 240-345
TP9	1			TEST POINT RAISED LOOP	FARNELL 240-345
L10	1	7uH		6mm 3F3 TOROID 5 TURNS 26AWG	
L9	1	7uH		6mm 3F3 TOROID 5 TURNS 26AWG	
AREG1	1	LM317T		REGUALTOR ADJUSTABLE T0220	FARNELL 412-132
BREG1	1	LM317T		REGUALTOR ADJUSTABLE T0220	FARNELL 412-132
CREG1	1	LM317T		REGUALTOR ADJUSTABLE T0220	FARNELL 412-132
DREG1	1	LM317T		REGUALTOR ADJUSTABLE T0220	FARNELL 412-132
REG19	1	7805CV		REGULATOR	
REG20	1	7805CV		REGULATOR	
REG3	1	7812CV		REGULATOR	
REG1	1	LM350T		VOLTAGE REGULATOR ADJUSTABLE	
REG10	1	LM350T		VOLTAGE REGULATOR ADJUSTABLE	
REG12	1	LM350T		VOLTAGE REGULATOR ADJUSTABLE	
REG14	1	LM350T		VOLTAGE REGULATOR ADJUSTABLE	
REG16	1	LM350T		VOLTAGE REGULATOR ADJUSTABLE	
REG4	1	LM350T		VOLTAGE REGULATOR ADJUSTABLE	
REG6	1	LM350T		VOLTAGE REGULATOR ADJUSTABLE	
REG8	1	LM350T		VOLTAGE REGULATOR ADJUSTABLE	
REG11	1	LM333T		VOLTAGE REGULATOR ADJUSTABLE	
REG13	1	LM333T		VOLTAGE REGULATOR ADJUSTABLE	
REG15	1	LM333T		VOLTAGE REGULATOR ADJUSTABLE	
REG17	1	LM333T		VOLTAGE REGULATOR ADJUSTABLE	
REG2	1	LM333T		VOLTAGE REGULATOR ADJUSTABLE	
REG5	1	LM333T		VOLTAGE REGULATOR ADJUSTABLE	
REG7	1	LM333T		VOLTAGE REGULATOR ADJUSTABLE	
REG9	1	LM333T		VOLTAGE REGULATOR ADJUSTABLE	
AREG2	1	LM317LZ		VOLTAGE REGULATOR T0-92	FARNELL 411-772
BREG2	1	LM317LZ		VOLTAGE REGULATOR T0-92	FARNELL 411-772
CREG2	1	LM317LZ		VOLTAGE REGULATOR T0-92	FARNELL 411-772
DREG2	1	LM317LZ		VOLTAGE REGULATOR T0-92	FARNELL 411-772
1	1	C0000		PRINTED CIRCUIT BOARD	DWG NO C3575
2	2		10A T	FUSE 1.25" UL/CSA APPROVED	FARNELL 975-760
3	1		5A T	FUSE 1.25" UL/CSA APPROVED	FARNELL 975-734
4	1	H0132		MAIN HEATSINK	DWG NO A3374
5	1	G5630		NEOPRENE GASKET	DWG NO A3377
6	7			HEATSINK 25mm HIGH	FARNELL 175-649
7	7			THERMAL WASHER CARBON LOADED T0220	FARNELL 522-661
8	7			CLIP	FARNELL 175-656



TITLE
FRONT PANEL PCB ASSEMBLY

DRG. NO.

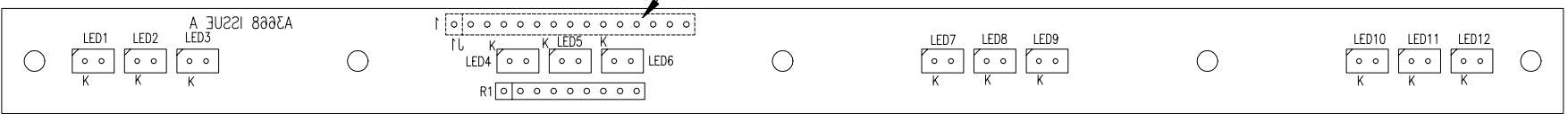
A 3981-1-1

ISS
1

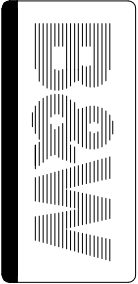
COPYRIGHT © 1998 DATE 27/05/98 DRAWN PLB

ZZ11088

J1 MOUNTED ON
OTHER SIDE



REF	QTY	CODE	VALUE	VOLT	DESCRIPTION	PART NUMBER
		ZZ11088			COMPLETE ASSEMBLY	A3981
J1	1				CABLE ASSEMBLIES 15 WAY (5+10 WAY)	RS769-967/769-989
LED1	1		RED		LIGHT EMITTING DIODE RECTANGULAR CMD SERIES	FARNELL 323-330
LED2	1		YELLOW		LIGHT EMITTING DIODE RECTANGULAR CMD SERIES	FARNELL 323-354
LED3	1		GREEN		LIGHT EMITTING DIODE RECTANGULAR CMD SERIES	FARNELL 323-342
LED4	1		RED		LIGHT EMITTING DIODE RECTANGULAR CMD SERIES	FARNELL 323-330
LED5	1		YELLOW		LIGHT EMITTING DIODE RECTANGULAR CMD SERIES	FARNELL 323-354
LED6	1		GREEN		LIGHT EMITTING DIODE RECTANGULAR CMD SERIES	FARNELL 323-342
LED7	1		RED		LIGHT EMITTING DIODE RECTANGULAR CMD SERIES	FARNELL 323-330
LED8	1		YELLOW		LIGHT EMITTING DIODE RECTANGULAR CMD SERIES	FARNELL 323-354
LED9	1		GREEN		LIGHT EMITTING DIODE RECTANGULAR CMD SERIES	FARNELL 323-342
LED10	1		RED		LIGHT EMITTING DIODE RECTANGULAR CMD SERIES	FARNELL 323-330
LED11	1		YELLOW		LIGHT EMITTING DIODE RECTANGULAR CMD SERIES	FARNELL 323-354
LED12	1		GREEN		LIGHT EMITTING DIODE RECTANGULAR CMD SERIES	FARNELL 323-342
R1	1		1K		9-PIN RESISTOR ARRAY, 8 RESISTORS WITH COMMON	
PCB		C0000			PRINTED CIRCUIT BOARD	A3668



TITLE

CPU PCB ASSEMBLY

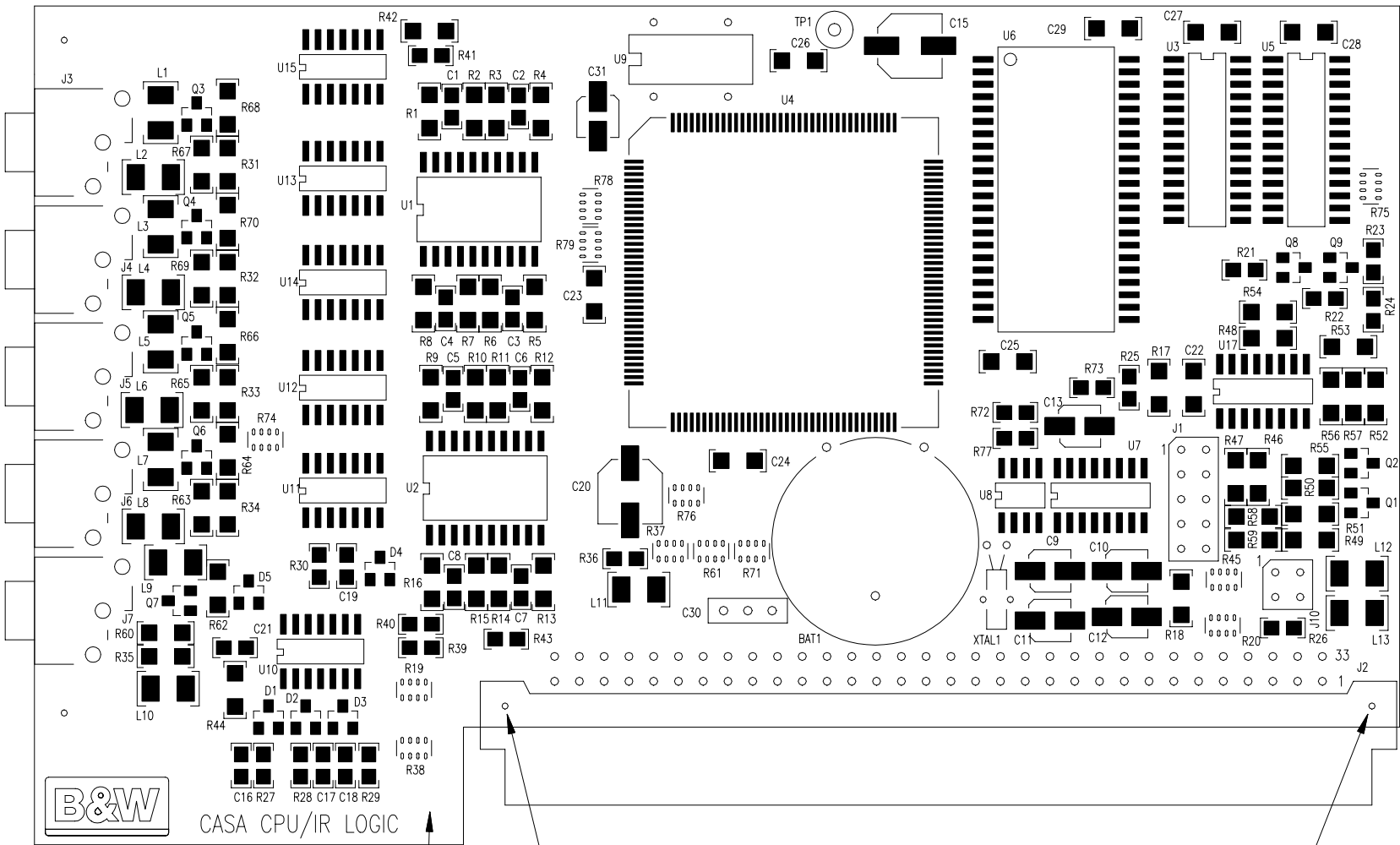
DRG. NO.

A 3821-1-5

ISS
3

COPYRIGHT © 1998 DATE 14/01/98 DRAWN PLB

ZZ10008



CASA CPU/IR LOGIC



TITLE
CPU PCB PARTS LIST

DRG. NO. A3821-2-5
ISS (3)

COPYRIGHT © 1998 DATE 14/01/98 DRAWN PLB

REF	REF	CODE	VALUE	VOLT	Description	PART NUMBER
		ZZ10008			COMPLETE ASSEMBLY	B3576
BAT1	1		CR2032PCB		LITHIUM MANGANESE BATTERY	FARNELL 249-877
C1	1		4n7		CAPACITOR SMD 0805 X7R	FARNELL 499-213
C2	1		4n7		CAPACITOR SMD 0805 X7R	FARNELL 499-213
C3	1		4n7		CAPACITOR SMD 0805 X7R	FARNELL 499-213
C4	1		4n7		CAPACITOR SMD 0805 X7R	FARNELL 499-213
C5	1		4n7		CAPACITOR SMD 0805 X7R	FARNELL 499-213
C6	1		4n7		CAPACITOR SMD 0805 X7R	FARNELL 499-213
C7	1		4n7		CAPACITOR SMD 0805 X7R	FARNELL 499-213
C8	1		4n7		CAPACITOR SMD 0805 X7R	FARNELL 499-213
C9	1		4u7	25V	ALUMINIUM ELECTROLYTIC CAP.	FARNELL 556-191
C10	1		4u7	25V	ALUMINIUM ELECTROLYTIC CAP.	FARNELL 556-191
C11	1		4u7	25V	ALUMINIUM ELECTROLYTIC CAP.	FARNELL 556-191
C12	1		4u7	25V	ALUMINIUM ELECTROLYTIC CAP.	FARNELL 556-191
C13	1		4u7	25V	ALUMINIUM ELECTROLYTIC CAP.	FARNELL 556-191
C15	1		100uF	10V	ALUMINIUM ELECTROLYTIC CAP.	FARNELL 556-130
C16	1		470pF		CAPACITOR SMD 0805 NP0	FARNELL 718-520
C17	1		470pF		CAPACITOR SMD 0805 NP0	FARNELL 718-520
C18	1		470pF		CAPACITOR SMD 0805 NP0	FARNELL 718-520
C19	1		470pF		CAPACITOR SMD 0805 NP0	FARNELL 718-520
C20	1		100uF	10V	ALUMINIUM ELECTROLYTIC CAP.	FARNELL 556-130
C21	1		470pF		CAPACITOR SMD 0805 NP0	FARNELL 718-520
C22	1		100nF		CAPACITOR SMD 1206 Z5U	FARNELL 499-390
C23	1		100nF		CAPACITOR SMD 1206 Z5U	FARNELL 499-390
C24	1		100nF		CAPACITOR SMD 1206 Z5U	FARNELL 499-390
C25	1		100nF		CAPACITOR SMD 1206 Z5U	FARNELL 499-390
C26	1		100nF		CAPACITOR SMD 1206 Z5U	FARNELL 499-390
C27	1		100nF		CAPACITOR SMD 1206 Z5U	FARNELL 499-390
C28	1		100nF		CAPACITOR SMD 1206 Z5U	FARNELL 499-390
C29	1		100nF		CAPACITOR SMD 1206 Z5U	FARNELL 499-390
C30	1		10nF		THREE TERMINAL CAPACITOR	RS209-027
C31	1		22uF	6.3V	ALUMINIUM ELECTROLYTIC CAP.	FARNELL 556-117
D1	1		BAS16		LOW POWER DIODE SOT23	FARNELL 743-124
D2	1		BAS16		LOW POWER DIODE SOT23	FARNELL 743-124
D3	1		BAS16		LOW POWER DIODE SOT23	FARNELL 743-124
D4	1		BAS16		LOW POWER DIODE SOT23	FARNELL 743-124
D5	1		BAS16		LOW POWER DIODE SOT23	FARNELL 743-124
J1	1				10 PIN 2-ROW HEADER 0.1	FARNELL 512-126
J2	1				64PIN DIN41612 AB CLASS 1 RIGHT ANGLE PLUG	FARNELL 225-289
J3	1				3.5mm STEREO JACK SOCKET PCB RIGHT ANGLE	TREMIVER JS-3570
J4	1				3.5mm STEREO JACK SOCKET PCB RIGHT ANGLE	TREMIVER JS-3570
J5	1				3.5mm STEREO JACK SOCKET PCB RIGHT ANGLE	TREMIVER JS-3570
J6	1				3.5mm STEREO JACK SOCKET PCB RIGHT ANGLE	TREMIVER JS-3570
J7	1				3.5mm STEREO JACK SOCKET PCB RIGHT ANGLE	TREMIVER JS-3570
J10	1				4 PIN 2-ROW HEADER 0.1 / 36WAY BREAK OFF	FARNELL 148-195
L1	1		4.7uH		INDUCTOR SMD SIMID02 SERIES	F608-336 RS191-0346
L2	1		4.7uH		INDUCTOR SMD SIMID02 SERIES	F608-336 RS191-0346



TITLE

CPU PCB PARTS LIST

DRG. NO.

A3821-3-5

ISS

3

COPYRIGHT © 1998 DATE 14/01/98 DRAWN PLB

L3	1		4.7uH	INDUCTOR SMD SIMID02 SERIES	F608-336 RS191-0346
L4	1		4.7uH	INDUCTOR SMD SIMID02 SERIES	F608-336 RS191-0346
L5	1		4.7uH	INDUCTOR SMD SIMID02 SERIES	F608-336 RS191-0346
L6	1		4.7uH	INDUCTOR SMD SIMID02 SERIES	F608-336 RS191-0346
L7	1		4.7uH	INDUCTOR SMD SIMID02 SERIES	F608-336 RS191-0346
L8	1		4.7uH	INDUCTOR SMD SIMID02 SERIES	F608-336 RS191-0346
L9	1		4.7uH	INDUCTOR SMD SIMID02 SERIES	F608-336 RS191-0346
L10	1		4.7uH	INDUCTOR SMD SIMID02 SERIES	F608-336 RS191-0346
L11	1		4.7uH	INDUCTOR SMD SIMID02 SERIES	F608-336 RS191-0346
L12	1		4.7uH	INDUCTOR SMD SIMID02 SERIES	F608-336 RS191-0346
L13	1		4.7uH	INDUCTOR SMD SIMID02 SERIES	F608-336 RS191-0346
Q1	1		BC856B	PNP TRANSISTOR SOT23	FARNELL 743-112
Q2	1		BC846B	NPN TRANSISTOR SOT23	FARNELL 743-100
Q3	1		BC856B	PNP TRANSISTOR SOT23	FARNELL 743-112
Q4	1		BC856B	PNP TRANSISTOR SOT23	FARNELL 743-112
Q5	1		BC856B	PNP TRANSISTOR SOT23	FARNELL 743-112
Q6	1		BC856B	PNP TRANSISTOR SOT23	FARNELL 743-112
Q7	1		BC856B	PNP TRANSISTOR SOT23	FARNELL 743-112
Q8	1		BC846B	NPN TRANSISTOR SOT23	FARNELL 743-100
Q9	1		BC846B	NPN TRANSISTOR SOT23	FARNELL 743-100
R1	1		150R	RESISTOR SMD 1206	
R2	1		150R	RESISTOR SMD 1206	
R3	1		150R	RESISTOR SMD 1206	
R4	1		150R	RESISTOR SMD 1206	
R5	1		150R	RESISTOR SMD 1206	
R6	1		150R	RESISTOR SMD 1206	
R7	1		150R	RESISTOR SMD 1206	
R8	1		150R	RESISTOR SMD 1206	
R9	1		150R	RESISTOR SMD 1206	
R10	1		150R	RESISTOR SMD 1206	
R11	1		150R	RESISTOR SMD 1206	
R12	1		150R	RESISTOR SMD 1206	
R13	1		150R	RESISTOR SMD 1206	
R14	1		150R	RESISTOR SMD 1206	
R15	1		150R	RESISTOR SMD 1206	
R16	1		150R	RESISTOR SMD 1206	
R17	1		10R	RESISTOR SMD 1206	
R18	1		0R	LINK SMD 1206	
R19	1		4K7	4 RESISTORS 8 PIN NETWORK 1206 PACKAGE	FARNELL 776-749
R20	1		4K7	4 RESISTORS 8 PIN NETWORK 1206 PACKAGE	FARNELL 776-749
R21	1		8K2	RESISTOR SMD 0805	FARNELL 515-220
R22	1		8K2	RESISTOR SMD 0805	FARNELL 515-220
R23	1		100K	RESISTOR SMD 0805	FARNELL 109-324
R24	1		4K7	RESISTOR SMD 0805	FARNELL 109-316
R25	1		1K	RESISTOR SMD 0805	FARNELL 109-312
R26	1		4K7	RESISTOR SMD 0805	FARNELL 109-316
R27	1		110K	RESISTOR SMD 0805	FARNELL 109-326
R28	1		110K	RESISTOR SMD 0805	FARNELL 109-326



TITLE
CPU PCB PARTS LIST

COPYRIGHT © 1998 DATE 14/01/98 DRAWN PLB

DRG. NO.
A3821-4 -5

ISS
3

R29	1		110K		RESISTOR SMD 0805	FARNELL 109-326
R30	1		110K		RESISTOR SMD 0805	FARNELL 109-326
R31	1		3K3		RESISTOR SMD 1206	
R32	1		3K3		RESISTOR SMD 1206	
R33	1		3K3		RESISTOR SMD 1206	
R34	1		3K3		RESISTOR SMD 1206	
R35	1		3K3		RESISTOR SMD 1206	
R36	1		22R		RESISTOR SMD 0805	FARNELL 109-302
R37	1		47K		4 RESISTORS 8 PIN NETWORK 1206 PACKAGE	FARNELL 776-804
R38	1		100K		4 RESISTORS 8 PIN NETWORK 1206 PACKAGE	FARNELL 776-828
R39	1		100K		RESISTOR SMD 0805	FARNELL 109-324
R40	1		4K7		RESISTOR SMD 0805	FARNELL 109-316
R41	1		4K7		RESISTOR SMD 0805	FARNELL 109-316
R42	1		3K3		RESISTOR SMD 1206	
R43	1		4K7		RESISTOR SMD 0805	FARNELL 109-316
R44	1		100K		RESISTOR SMD 1206	
R45	1		10K		4 RESISTORS 8 PIN NETWORK 1206 PACKAGE	FARNELL 776-762
R46	1		6K8		RESISTOR SMD 1206	
R47	1		3K9		RESISTOR SMD 1206	
R48	1		3K9		RESISTOR SMD 1206	
R49	1		390R		RESISTOR SMD 1206	
R50	1		82R		RESISTOR SMD 1206	
R51	1		10R		RESISTOR SMD 1206	
R52	1		470R		RESISTOR SMD 1206	
R53	1		470R		RESISTOR SMD 1206	
R54	1		3K9		RESISTOR SMD 1206	
R55	1		390R		RESISTOR SMD 1206	
R56	1		100R		RESISTOR SMD 1206	
R57	1		10R		RESISTOR SMD 1206	
R58	1		10R		RESISTOR SMD 1206	
R59	1		10R		RESISTOR SMD 1206	
R60	1		1K2		RESISTOR SMD 1206	
R61	1		4K7		4 RESISTORS 8 PIN NETWORK 1206 PACKAGE	FARNELL 776-749
R62	1		8R2		RESISTOR SMD 1206	
R63	1		1K2		RESISTOR SMD 1206	
R64	1		8R2		RESISTOR SMD 1206	
R65	1		1K2		RESISTOR SMD 1206	
R66	1		8R2		RESISTOR SMD 1206	
R67	1		1K2		RESISTOR SMD 1206	
R68	1		8R2		RESISTOR SMD 1206	
R69	1		1K2		RESISTOR SMD 1206	
R70	1		8R2		RESISTOR SMD 1206	
R71	1		4K7		4 RESISTORS 8 PIN NETWORK 1206 PACKAGE	FARNELL 776-749
R72	1		1K		RESISTOR SMD 0805	FARNELL 109-312
R73	1		1K		RESISTOR SMD 0805	FARNELL 109-312
R74	1		4K7		4 RESISTORS 8 PIN NETWORK 1206 PACKAGE	FARNELL 776-749
R75	1		4K7		4 RESISTORS 8 PIN NETWORK 1206 PACKAGE	FARNELL 776-749
R76	1		47K		4 RESISTORS 8 PIN NETWORK 1206 PACKAGE	FARNELL 776-804



TITLE
CPU PCB PARTS LIST

COPYRIGHT © 1998 | DATE 14/01/98 | DRAWN PLB

DRG. NO. A3821-5-5

ISS (3)

R77	1		47K		RESISTOR SMD 0805	FARNELL 109-322
R78	1		4K7		4 RESISTORS 8 PIN NETWORK 1206 PACKAGE	FARNELL 776-749
R79	1		4K7		4 RESISTORS 8 PIN NETWORK 1206 PACKAGE	FARNELL 776-749
TP1	1				TEST POINT RAISED LOOP	FARNELL 240-345
U1	1		74HC244D		OCTAL BUFFER/LINE DRIVER 3 STATE OUTPUTS	FARNELL 492-528
U2	1		74HC244D		OCTAL BUFFER/LINE DRIVER 3 STATE OUTPUTS	FARNELL 492-528
U3	1		IDT71256A20Y		32K X 8 STATIC RAM SOJ28	FARNELL 787-929
U4	1		ST10R167-Q3		16 BIT MICROCONTROLLER PROGRAMMABLE CMOS 4KX16 RAM	
U5	1		IDT71256A20Y		32K X 8 STATIC RAM SOJ28	FARNELL 787-929
U6	1		AM29F200AT-70SC		OR MBM29F400TA-70PF	FARNELL 790-746
U7	1		MAX232CSE		+5V POWERED RS-232 DRIVER/RECEIVER	FARNELL 639-357
U8	1		DS1307Z		REAL TIME CLOCK DALLAS SO8	FARNELL 787-140
U9	1		4MHz		CRYSTAL OSCILLATOR 8PIN DIP	FARNELL 221-429
U10	1		MC14069BD		HEX INVERTER SO14	FARNELL 702-250
U11	1		MC14093BD		QUAD 2-INPUT NAND SCHMITT TRIGGER GATE SO14	FARNELL 702-304
U12	1		MC14072BD		DUAL 4-INPUT OR GATE SO14	FARNELL 639-862
U13	1		MC14071BD		QUAD 2-INPUT OR GATE SO14	FARNELL 702-274
U14	1		MC14093BD		QUAD 2-INPUT NAND SCHMITT TRIGGER GATE SO14	FARNELL 702-304
U15	1		MC14081BD		QUAD 2-INPUT AND GATE SO14	FARNELL 702-298
U17	1		DS34C86TM		QUAD CMOS DIFFERENTIAL LINE RECEIVER SO16	FARNELL 406-831
XTAL1	1		32kHz		CRYSTAL WATCH	FARNELL 221-533
1		C0000			PRINTED CIRCUIT BOARD	B3576
2	2				SCREW M2.5 X 12 PAN HD POZI	
3	2				M2.5 SHAKEPROOF WASHER	
4	2				M2.5 NUT FULL	

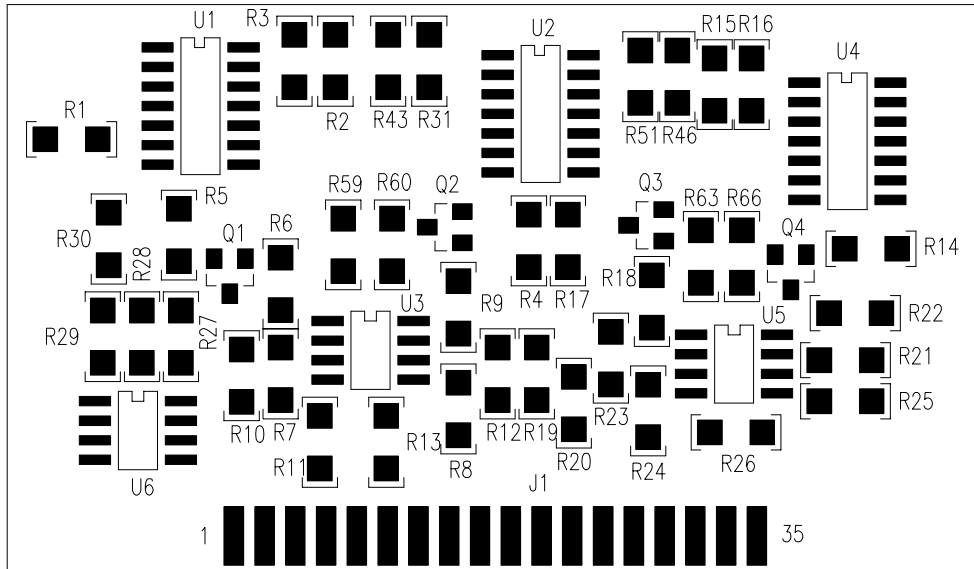


TITLE
DEBUG/IR PCB ASSEMBLY

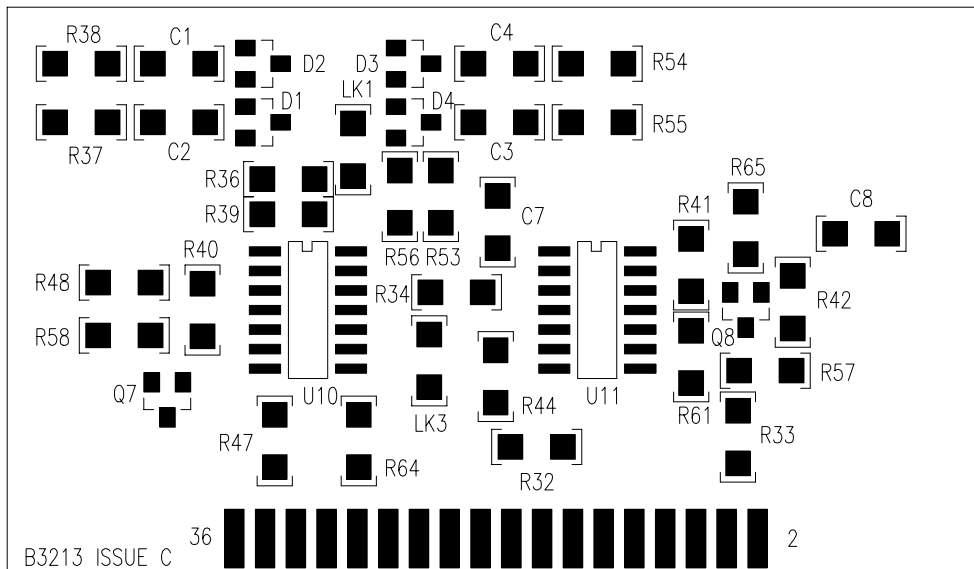
DRG. NO. A3827-1 -3
ISS (1)

COPYRIGHT © 1998 DATE 15/01/98 DRAWN PLB

ZZ10016



LAYER 1



B3213 ISSUE C

LAYER 2



TITLE
 DEBUG/IR PCB ASSEMBLY

DRG. NO. A3827-2 -3
 ISS 1

COPYRIGHT © 1998 DATE 15/01/98 DRAWN PLB

REF	QTY	CODE	VALUE	VOLT	DESCRIPTION	PART NUMBER
		ZZ10016			COMPLETE ASSEMBLY	A3827
C1	1		10nF	50V	CAPACITOR SMD 1206 X7R	FARNELL 499-353
C2	1		10nF	50V	CAPACITOR SMD 1206 X7R	FARNELL 499-353
C3	1		10nF	50V	CAPACITOR SMD 1206 X7R	FARNELL 499-353
C4	1		10nF	50V	CAPACITOR SMD 1206 X7R	FARNELL 499-353
C7	1		220nF	50V	CAPACITOR SMD 1206 Z5U	FARNELL 499-407
C8	1		220nF	50V	CAPACITOR SMD 1206 Z5U	FARNELL 499-407
D1	1		BZX84C5V1		ZENER DIODE SOT23	FARNELL 251-586
D2	1		BZX84C5V1		ZENER DIODE SOT23	FARNELL 251-586
D3	1		BZX84C5V1		ZENER DIODE SOT23	FARNELL 251-586
D4	1		BZX84C5V1		ZENER DIODE SOT23	FARNELL 251-586
J1	1				2mm PIN HEADER 36 WAY EDGE CONNECTOR	RS842-680
Q1	1		BC846B		NPN TRANSISTOR SOT23	FARNELL 743-100
Q2	1		BC846B		NPN TRANSISTOR SOT23	FARNELL 743-100
Q3	1		BC846B		NPN TRANSISTOR SOT23	FARNELL 743-100
Q4	1		BC846B		NPN TRANSISTOR SOT23	FARNELL 743-100
Q7	1		BC846B		NPN TRANSISTOR SOT23	FARNELL 743-100
Q8	1		BC846B		NPN TRANSISTOR SOT23	FARNELL 743-100
R1	1		330R		RESISTOR SMD 1206	
R2	1		47K		RESISTOR SMD 1206	
R3	1		47K		RESISTOR SMD 1206	
R4	1		15K		RESISTOR SMD 1206	
R5	1		15K		RESISTOR SMD 1206	
R6	1		47K		RESISTOR SMD 1206	
R7	1		1K		RESISTOR SMD 1206	
R8	1		1K		RESISTOR SMD 1206	
R9	1		47K		RESISTOR SMD 1206	
R10	1		10M		RESISTOR SMD 1206	
R11	1		1K		RESISTOR SMD 1206	
R12	1		10M		RESISTOR SMD 1206	
R13	1		1K		RESISTOR SMD 1206	
R14	1		330R		RESISTOR SMD 1206	
R15	1		47K		RESISTOR SMD 1206	
R16	1		47K		RESISTOR SMD 1206	
R17	1		15K		RESISTOR SMD 1206	
R18	1		47K		RESISTOR SMD 1206	
R19	1		1K		RESISTOR SMD 1206	
R20	1		1K		RESISTOR SMD 1206	
R21	1		47K		RESISTOR SMD 1206	
R22	1		15K		RESISTOR SMD 1206	
R23	1		10M		RESISTOR SMD 1206	
R24	1		1K		RESISTOR SMD 1206	
R25	1		10M		RESISTOR SMD 1206	
R26	1		1K		RESISTOR SMD 1206	
R27	1		24R		RESISTOR SMD 1206	
R28	1		3K		RESISTOR SMD 1206	
R29	1		12K		RESISTOR SMD 1206	



TITLE
 DEBUG/IR PCB ASSEMBLY

DRG. NO. A3827-3 -3
 ISS (1)

COPYRIGHT © 1998 DATE 15/01/98 DRAWN PLB

R30	1		3K9	RESISTOR SMD 1206	
R31	1		1K5	RESISTOR SMD 1206	
R32	1		100K	RESISTOR SMD 1206	
R33	1		100K	RESISTOR SMD 1206	
R34	1		10M	RESISTOR SMD 1206	
R36	1		12K	RESISTOR SMD 1206	
R37	1		2K2	RESISTOR SMD 1206	
R38	1		2K2	RESISTOR SMD 1206	
R39	1		12K	RESISTOR SMD 1206	
R40	1		27K	RESISTOR SMD 1206	
R41	1		10M	RESISTOR SMD 1206	
R42	1		27K	RESISTOR SMD 1206	
R43	1		1K5	RESISTOR SMD 1206	
R44	1		100K	RESISTOR SMD 1206	
R46	1		1K5	RESISTOR SMD 1206	
R47	1		10K	RESISTOR SMD 1206	
R48	1		100K	RESISTOR SMD 1206	
R51	1		1K5	RESISTOR SMD 1206	
R53	1		12K	RESISTOR SMD 1206	
R54	1		2K2	RESISTOR SMD 1206	
R55	1		2K2	RESISTOR SMD 1206	
R56	1		12K	RESISTOR SMD 1206	
R57	1		4K7	RESISTOR SMD 1206	
R58	1		4K7	RESISTOR SMD 1206	
R59	1		15K	RESISTOR SMD 1206	
R60	1		15K	RESISTOR SMD 1206	
R61	1		100K	RESISTOR SMD 1206	
R63	1		15K	RESISTOR SMD 1206	
R64	1		10K	RESISTOR SMD 1206	
R65	1		100K	RESISTOR SMD 1206	
R66	1		15K	RESISTOR SMD 1206	
U1	1		MC74HC00D	QUAD 2-INPUT POS-NAND GATE S014	
U2	1		MC74HC32D	QUAD 2-INPUT OR GATE S014	
U3	1		TLE2022CD	OP-AMP LOW NOISE S08	
U4	1		MC74HC00D	QUAD 2-INPUT POS-NAND GATE S014	
U5	1		TLE2022CD	OP-AMP LOW NOISE S08	
U6	1		LM431ACM	ADJUSTABLE PRECISION ZENER SHUNT REGULATOR S08	
U10	1		MC74HC00D	QUAD 2-INPUT POS-NAND GATE S014	
U11	1		MC74HC32D	QUAD 2-INPUT POS-OR GATE S014	
PCB		C0000		PRINTED CIRCUIT BOARD	B3213



TITLE
AC/RELAY PCB ASSY (US)

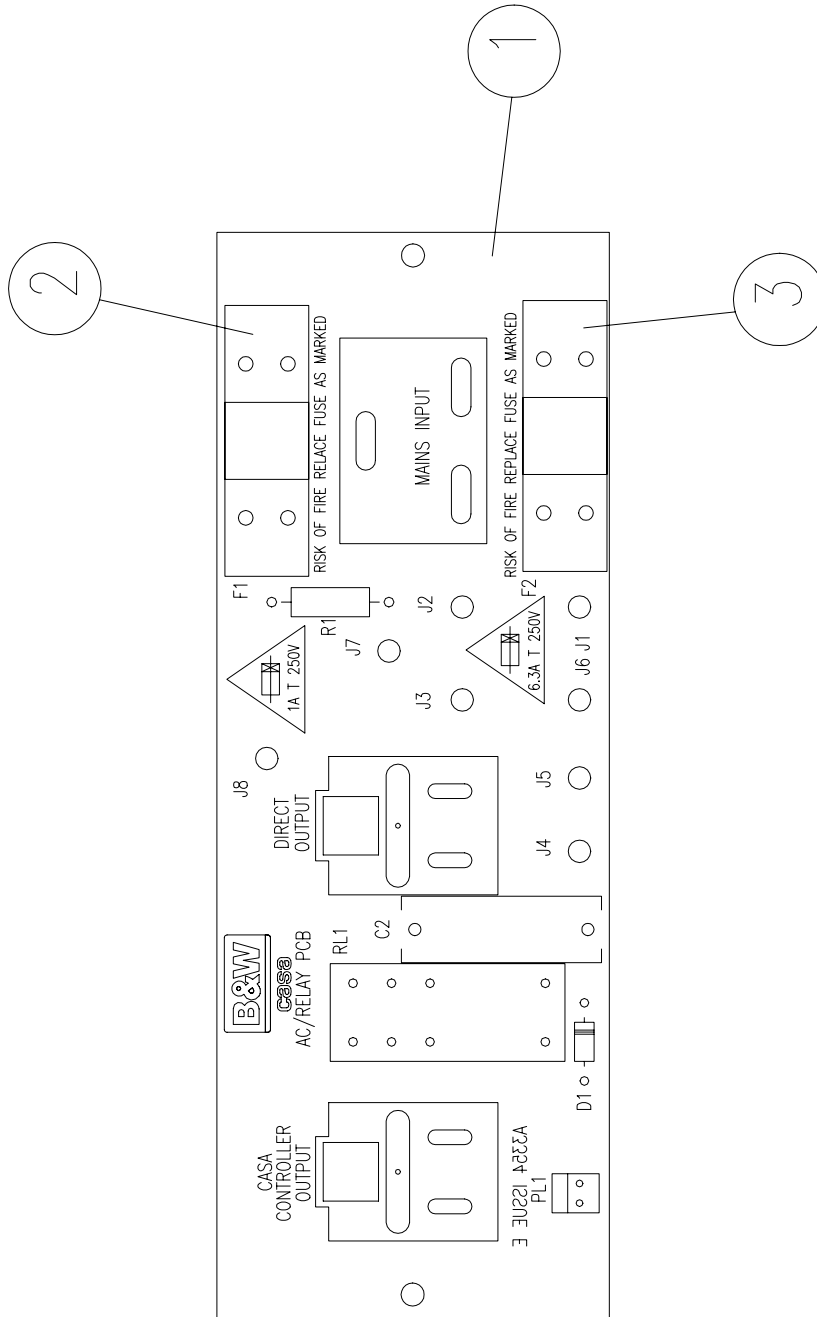
DRG. NO.
A3977-1 -2

ISS

1

COPYRIGHT © 1998 DATE 22/05/98 DRAWN PLB

ZZ10024

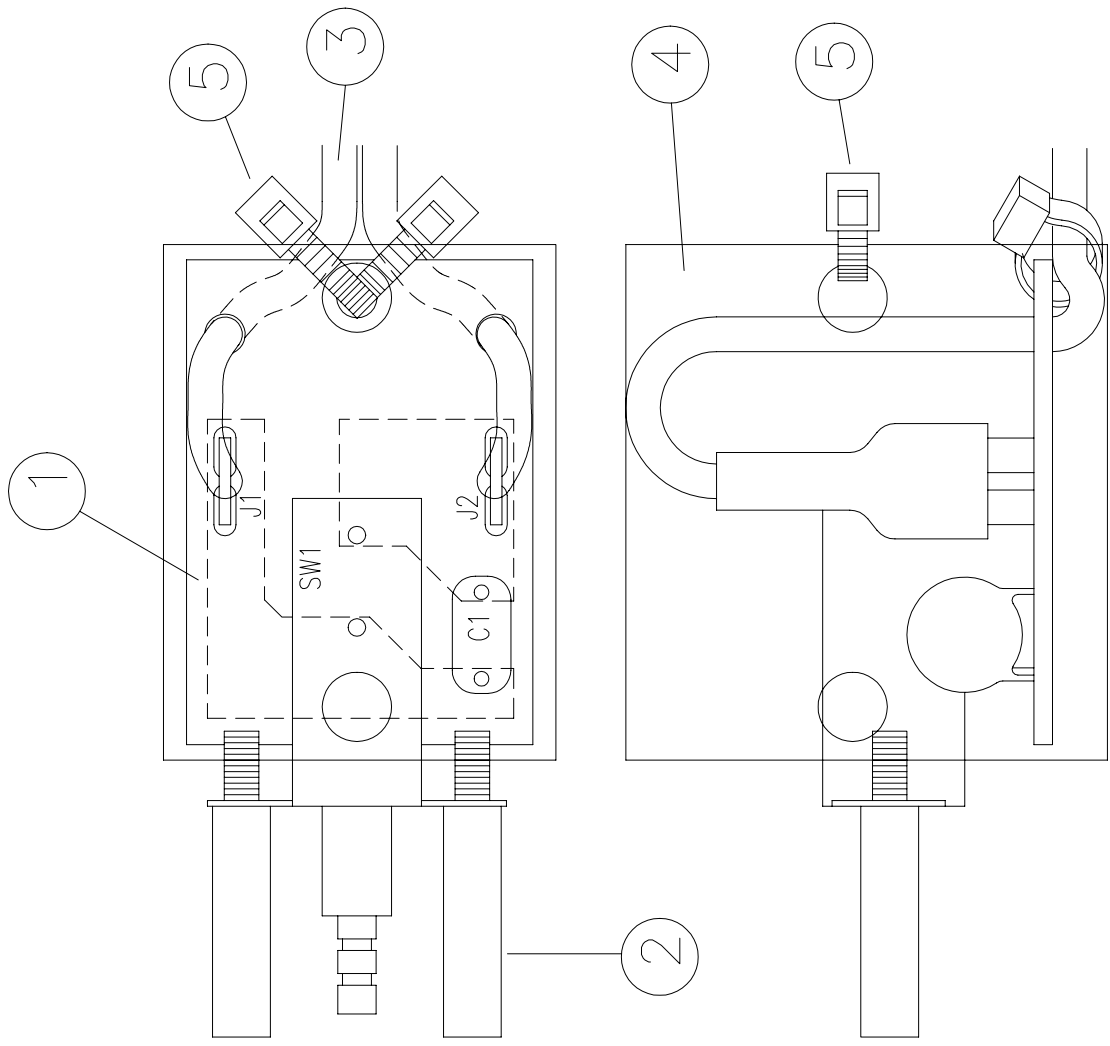




TITLE
MAINS SWITCH PCB ASSEMBLY

DRG. NO.
A 4074-1 -1 ISS
1

COPYRIGHT © 1998 DATE 23/07/98 DRAWN PLB



REF	QTY	CODE	VALUE	VOLT	DESCRIPTION	PART NUMBER
					COMPLETE ASSEMBLY	A4074
C1	1		1nF	400V	CAPACITOR CLASS Y CERAMIC	FARNELL 106-765
SW1	1				SWITCH ALPS SDDL SERIES	SDDL B1-A1-F-2
J1	1				6.35mm VERTICAL SPADE	FARNELL 209-284
J2	1				6.35mm VERTICAL SPADE	FARNELL 209-284
1					PRINTED CIRCUIT BOARD	A4072
2	2				SPACER HARWIN R30-3002002	FARNELL 517-690
3	1				HARNESS	A4075
4	1				COVER	A4076
5	3				CABLE TIE 2.5mm	



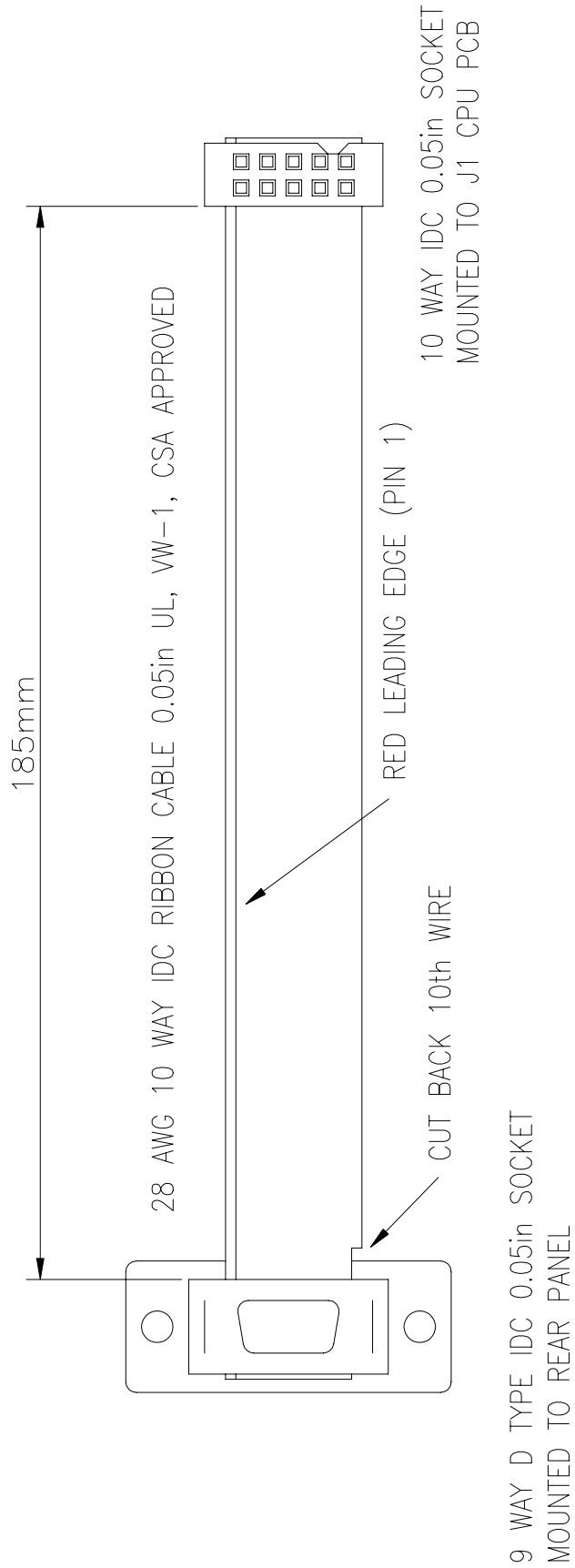
TITLE
D TYPE SOCKET ASSEMBLY

COPYRIGHT © 1998 DATE 05/06/98 DRAWN PLB

DRG. NO.
A 4016-1 -1

ISS
1

ZX06297



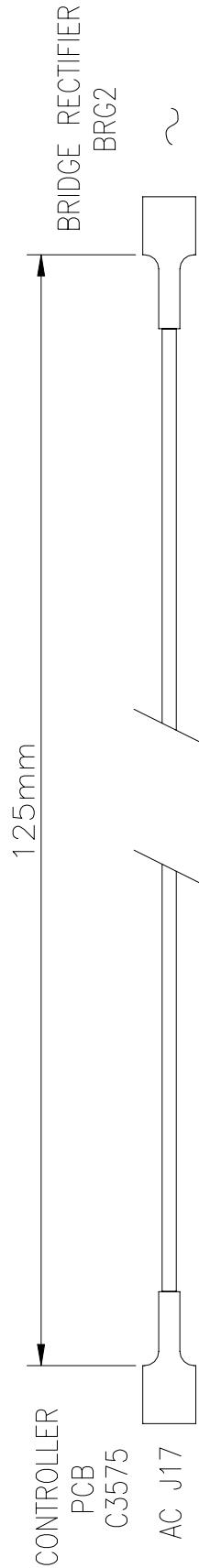
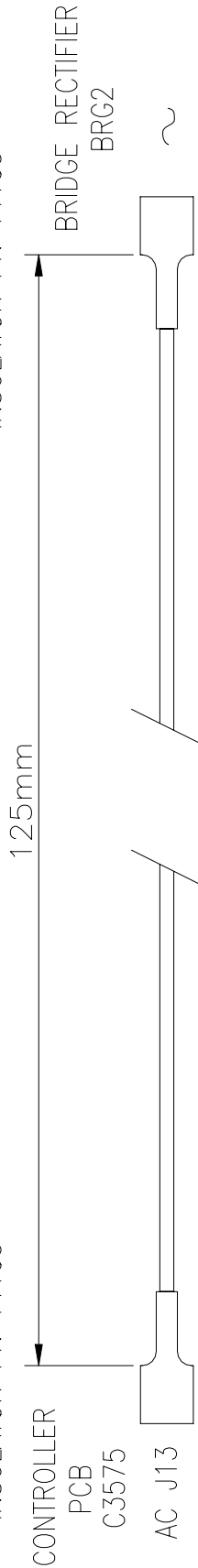
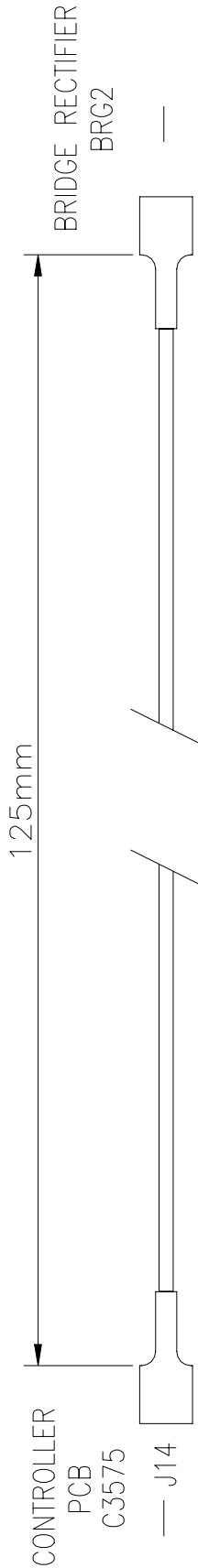
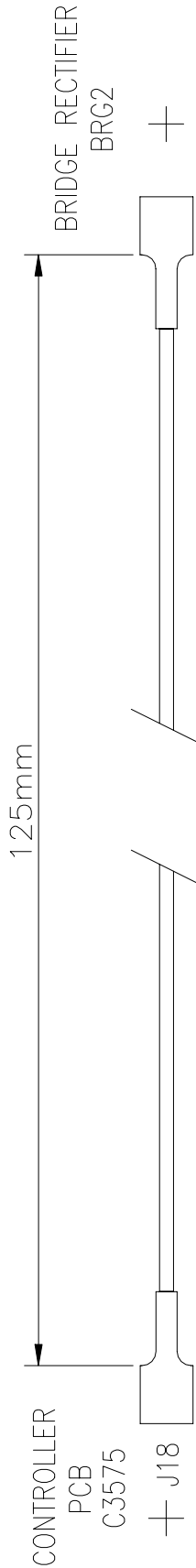


TITLE
 HARNESS BRIDGE RECTIFIER

DRG. NO.
 A3769-1 -1

ISS
 1

COPYRIGHT © 1998 DATE 04/06/98 DRAWN PLB





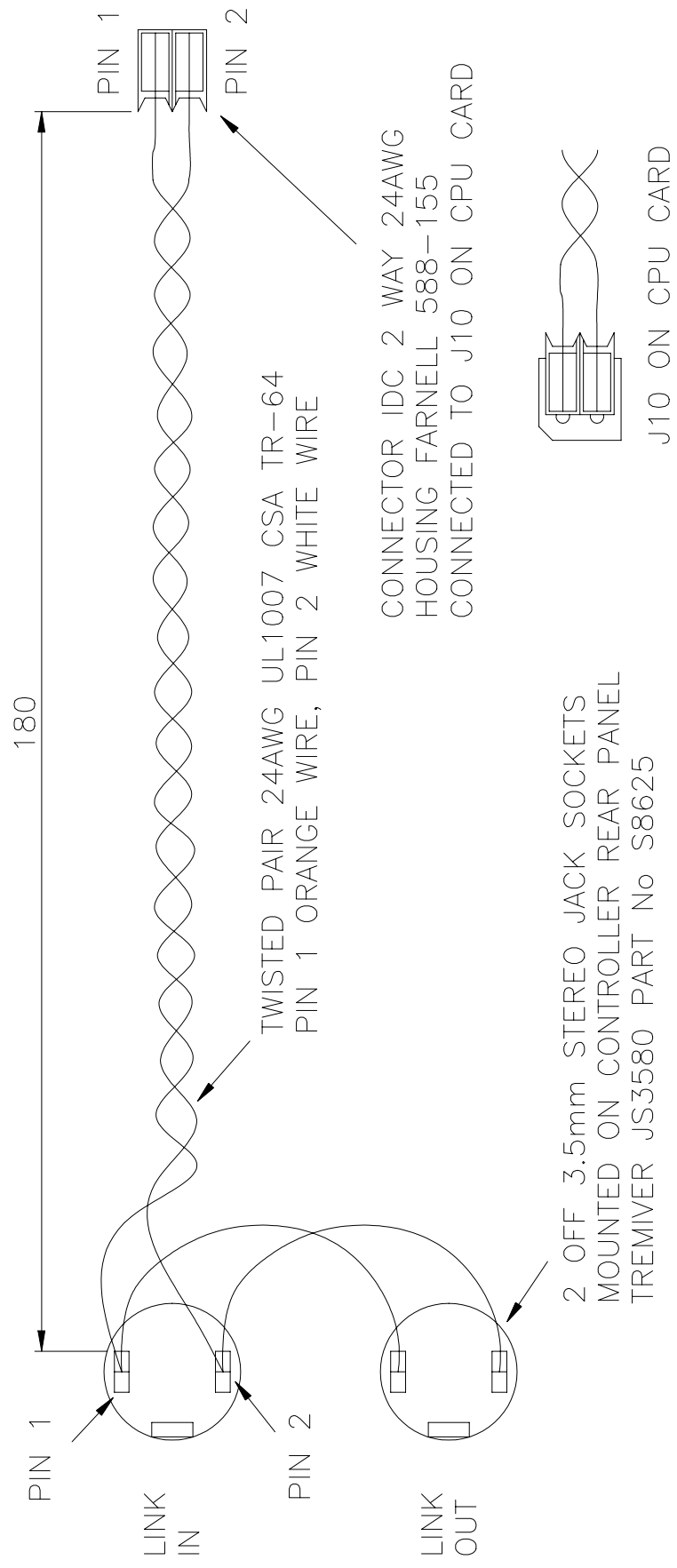
TITLE
 HARNESS CAN Bus

COPYRIGHT © 1998 DATE 11/02/98 DRAWN PLB

DRG. NO.
 A3875-1 -1

ISS
 1

ZX06467





TITLE
HARNESS FRONT PANEL LED

DRG. NO.
A3876-1 -1

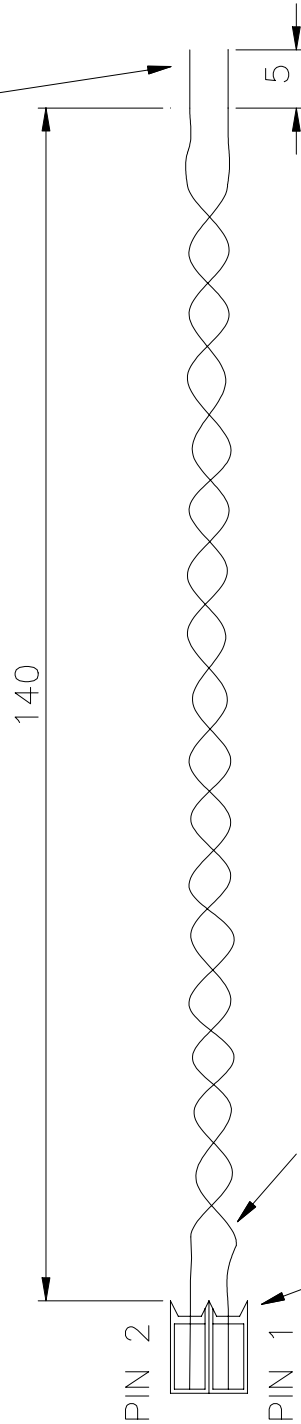
ISS

2

COPYRIGHT © 1998 DATE 11/02/98 DRAWN PLB

ZX06262

CONNECTED TO FRONT PANEL
LED. ORANGE WIRE TO CATHODE



TWISTED PAIR 24AWG UL1007 CSA TR-64
PIN 1 ORANGE WIRE, PIN 2 WHITE WIRE

CONNECTED TO SK1 ON
CONTROLLER

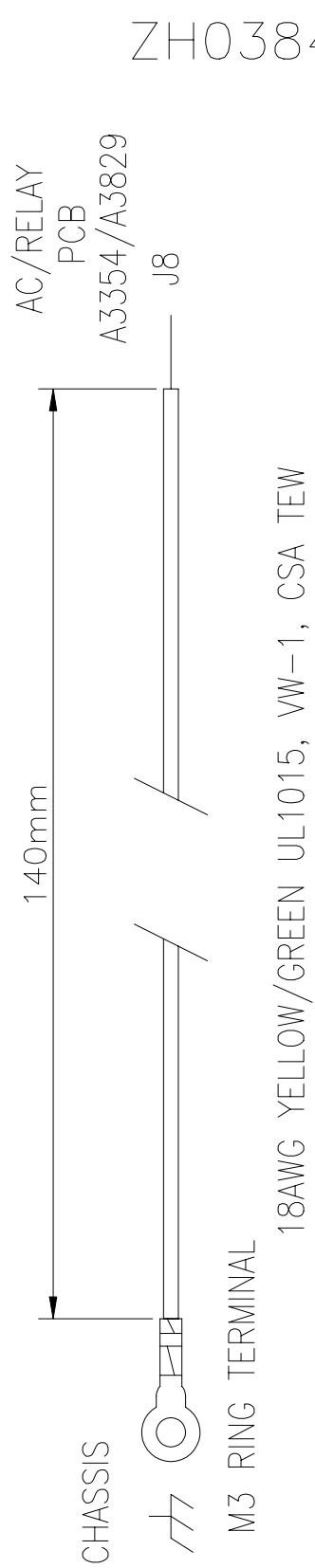
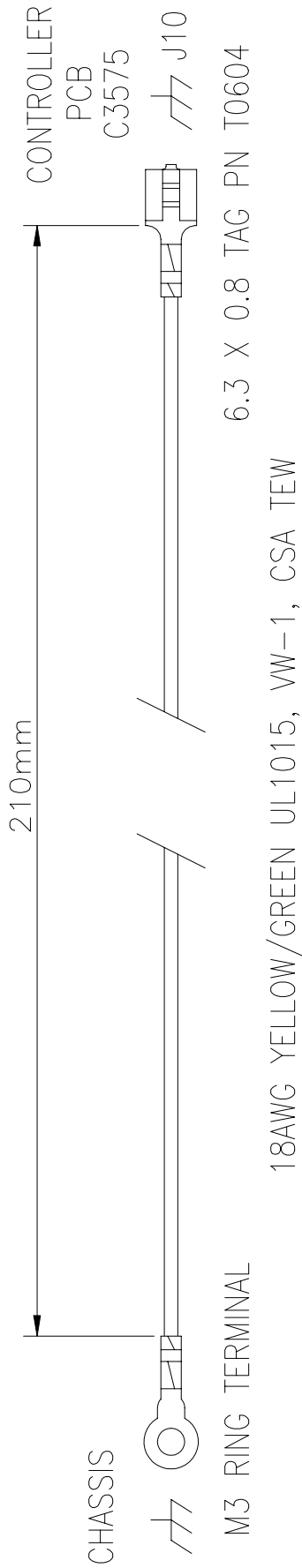
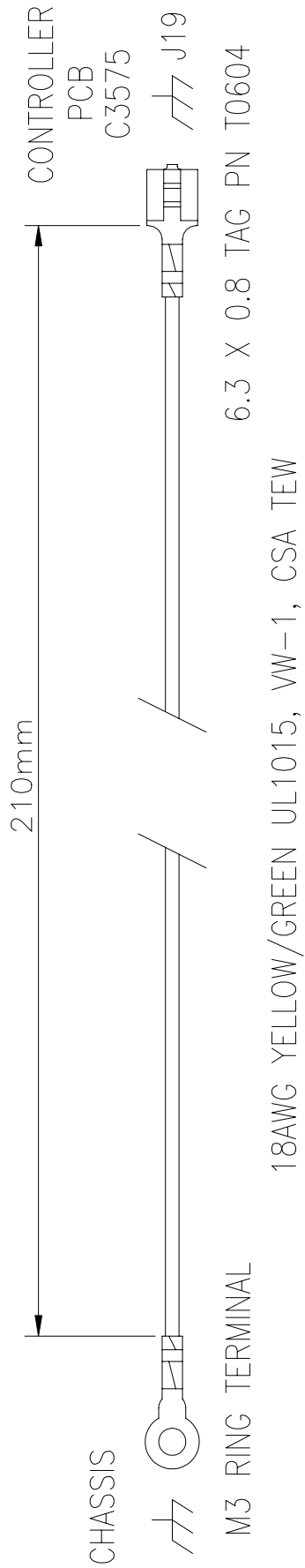


TITLE
 HARNESS EARTH STRAP

COPYRIGHT © 1998 DATE 05/06/98 DRAWN PLB

DRG. NO.
 A4013-1 -1

ISS
 1



ZH03840



TITLE

HARNESS MAINS SWITCH

DRG. NO.

A4075-1 -1

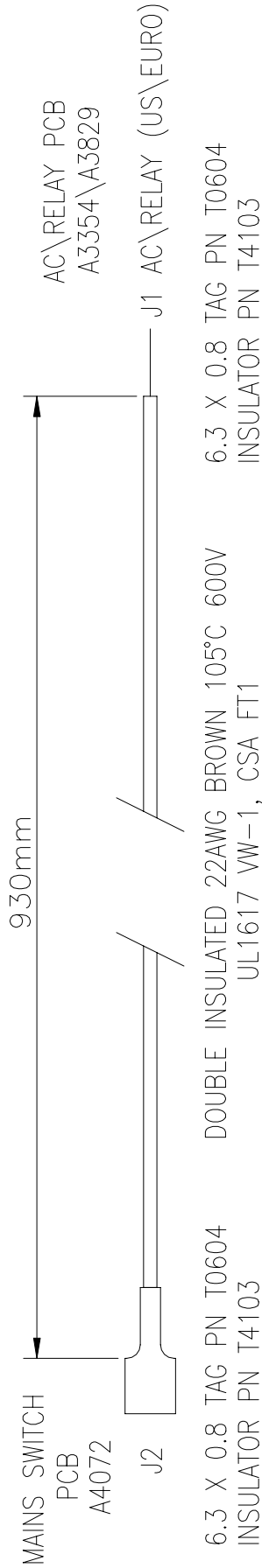
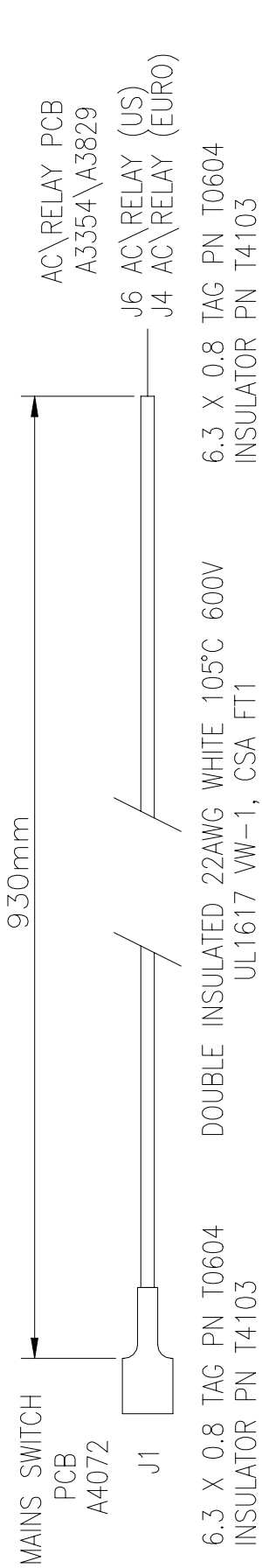
ISS

1

COPYRIGHT © 1998

DATE 24/07/98

DRAWN PLB





TITLE

HARNESS RELAY

DRG. NO.

A3877-1 -1

ISS

1

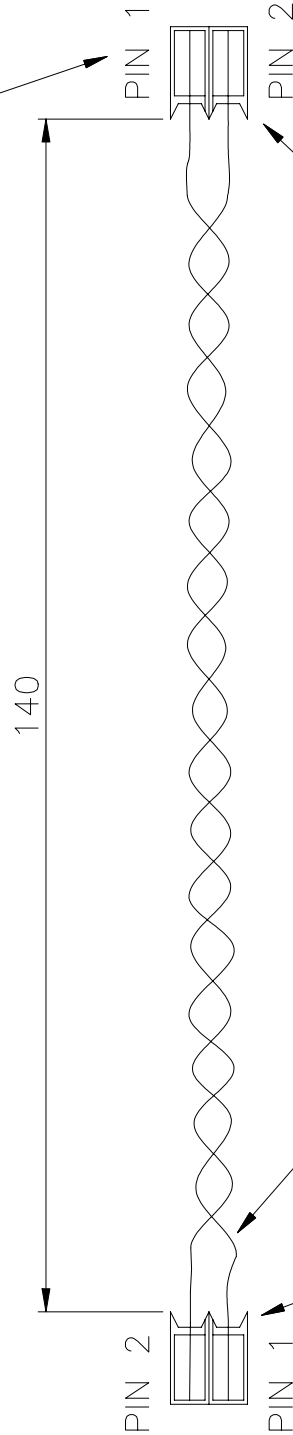
COPYRIGHT © 1998

DATE 11/02/98

DRAWN PLB

ZX6262

CONNECTED TO PL1 ON AC\RELAY PCB



TWISTED PAIR 24AWG UL1007 CSA TR-64
PIN 1 ORANGE WIRE, PIN 2 WHITE WIRE

CONNECTOR IDC 2WAY 24AWG
HOUSING FARNELL 588-155

CONNECTED TO JA5 ON
CONTROLLER



TITLE

IR HARNESS

DRG. NO.

A 4011-1 -1

ISS

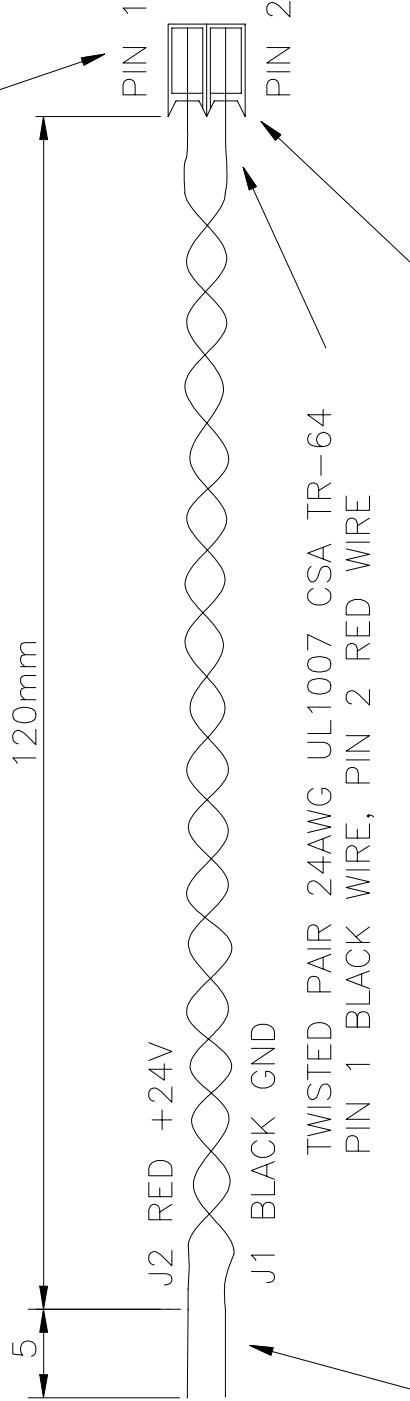
1

COPYRIGHT © 1998

DATE 04/06/98

DRAWN PLB

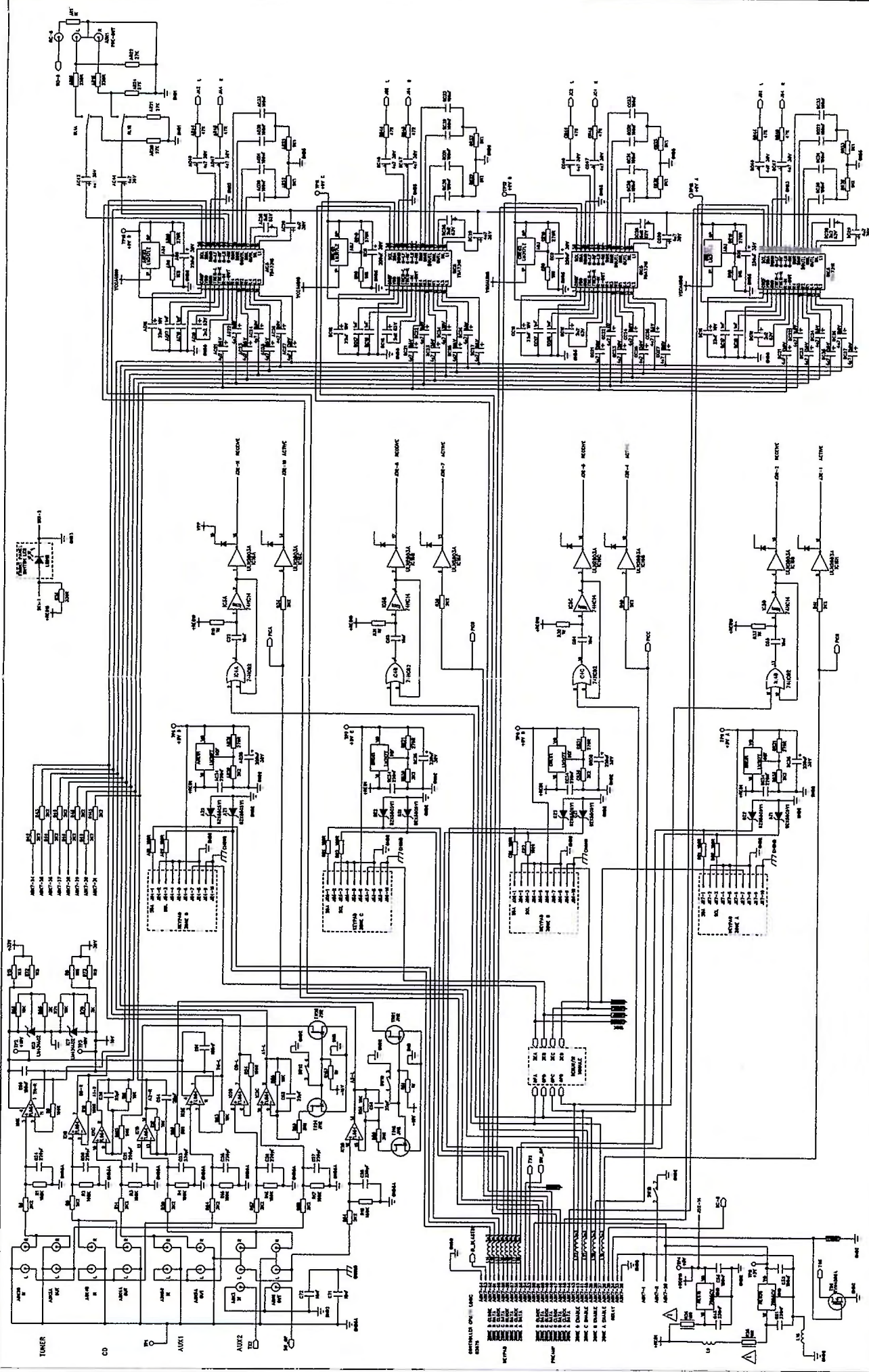
CONNECTED TO J2 ON AWM65\70 PCB



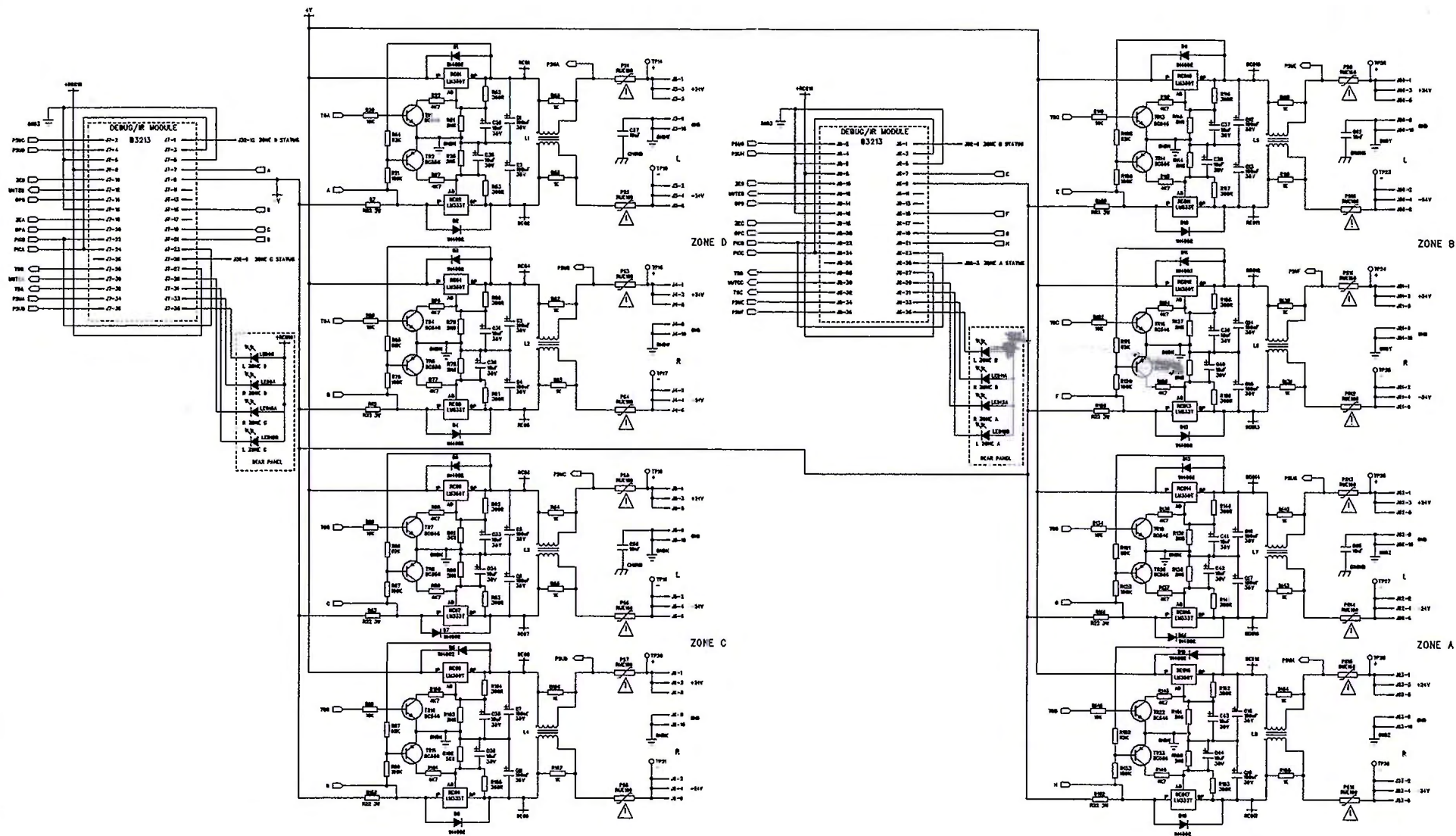
TWISTED PAIR 24AWG UL1007 CSA TR-64
PIN 1 BLACK WIRE, PIN 2 RED WIRE

CONNECTOR IDC 2WAY 24AWG
HOUSING FARNELL 588-155

CONNECTED TO IR SENSOR PCB



COPYRIGHT © 1997		DATE	
DRAWN		23-5-97	
PLB		PAR. NO.	
ECON		DATE	
AMENDMENT		ISS	
TITLE		DRG. NO.	
CASA CONTROLLER SCHEMATIC		C3575-2-4	
MATERIAL		FINISH	
SCALE		DIMENSIONS IN mm	
UNLESS OTHERWISE STATED DO NOT SCALE		TOLERANCES	
		0 ± 0.5	
		0.0 ± 0.3	
		0.00 ± 0.1	
USED ON		L I M I T E D	
		WORTHING ENGLAND	



USED ON

MATERIAL

COPYRIGHT © 1997

DRAWN PLB DATE 23-5-97



DIMENSIONS IN mm
 TOLERANCES
 0. ± 0.5
 0.0 ± 0.3
 0.00 ± 0.1
 UNLESS OTHERWISE STATED

SCALE



DO NOT SCALE

FINISH

ISS
 TITLE

AMENDMENT

ECN DATE

CASA CONTROLLER SCHEMATIC

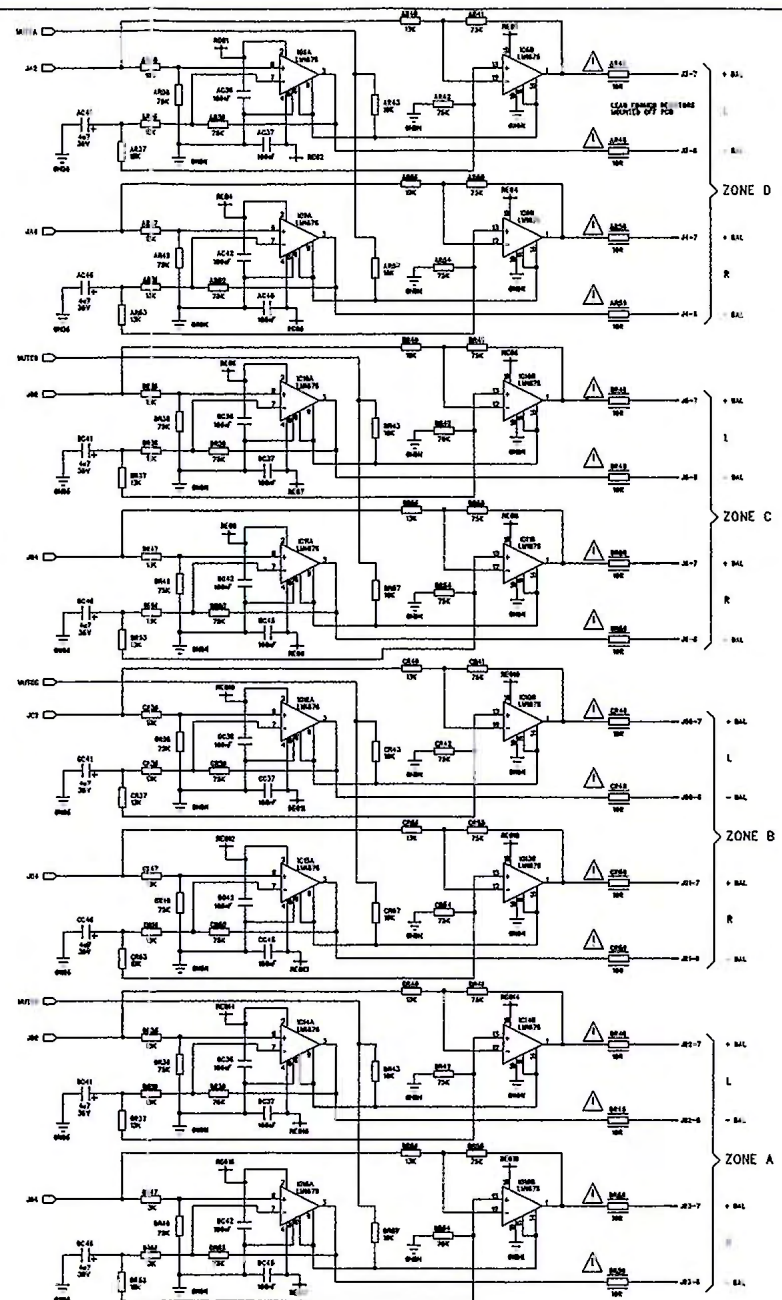
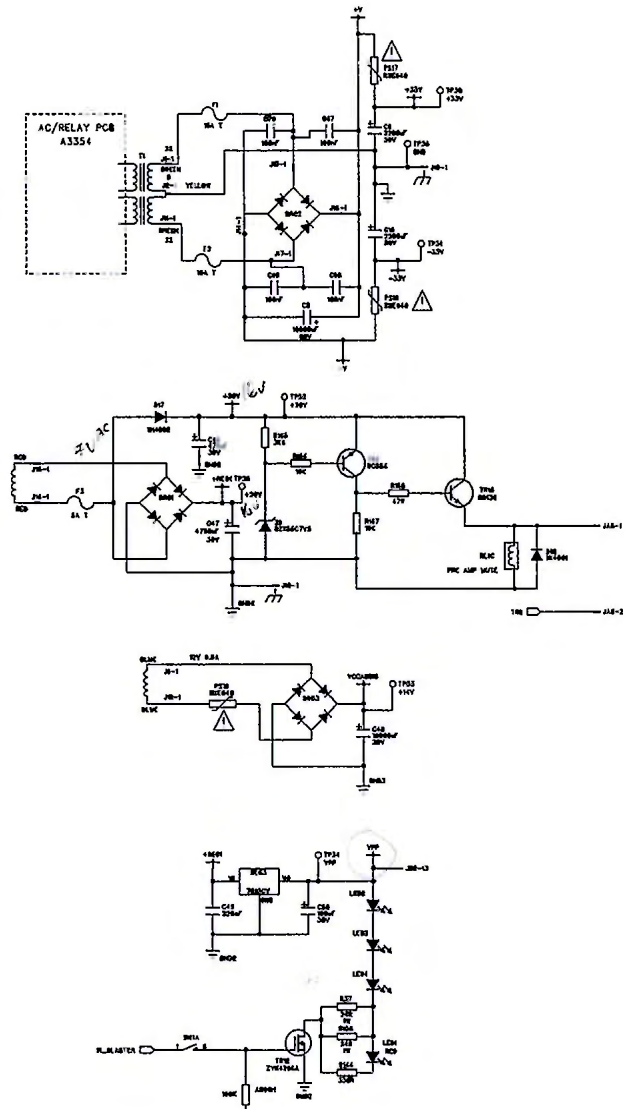
PART NO

DRG. NO.

ISS

C3575-3-4

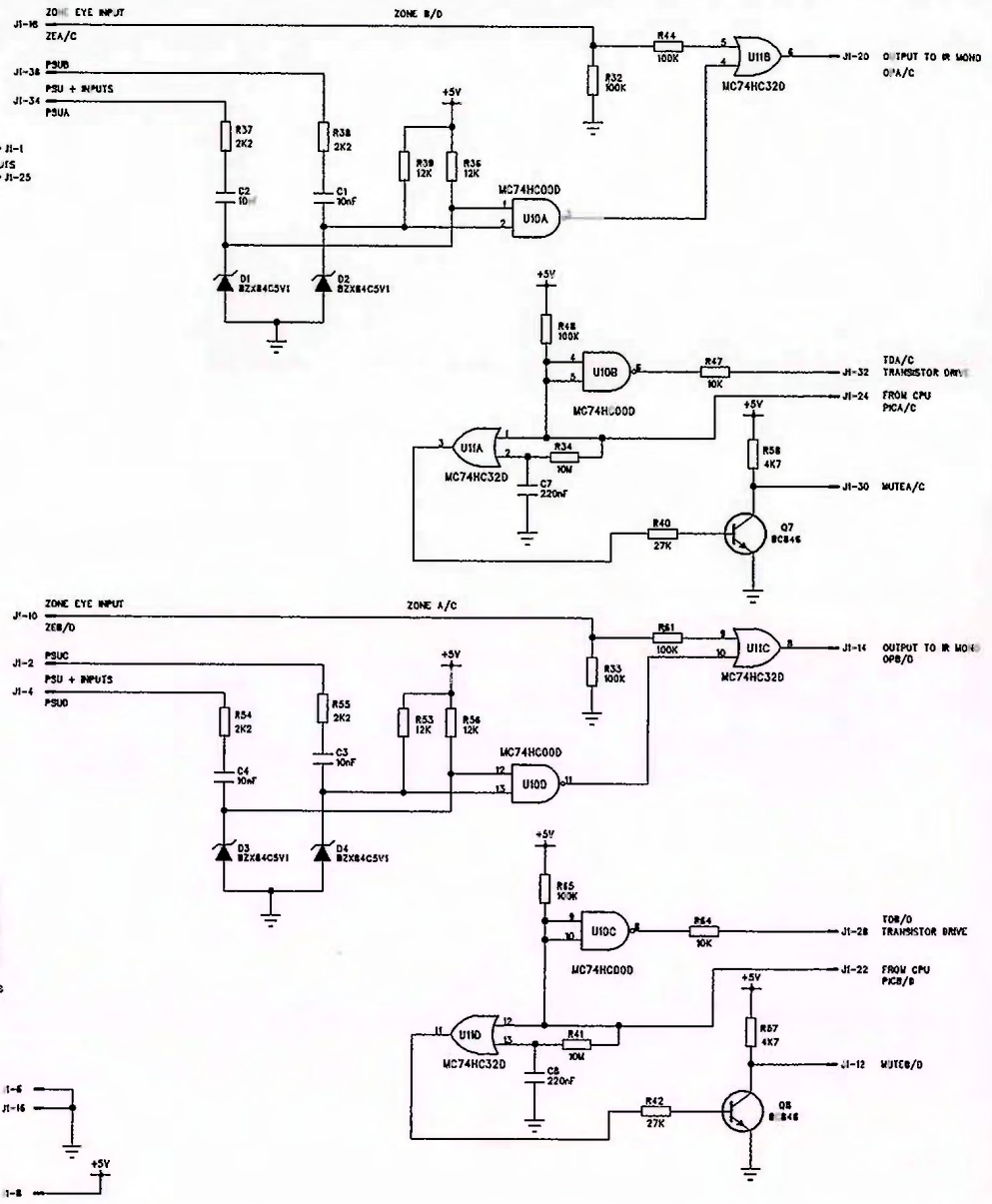
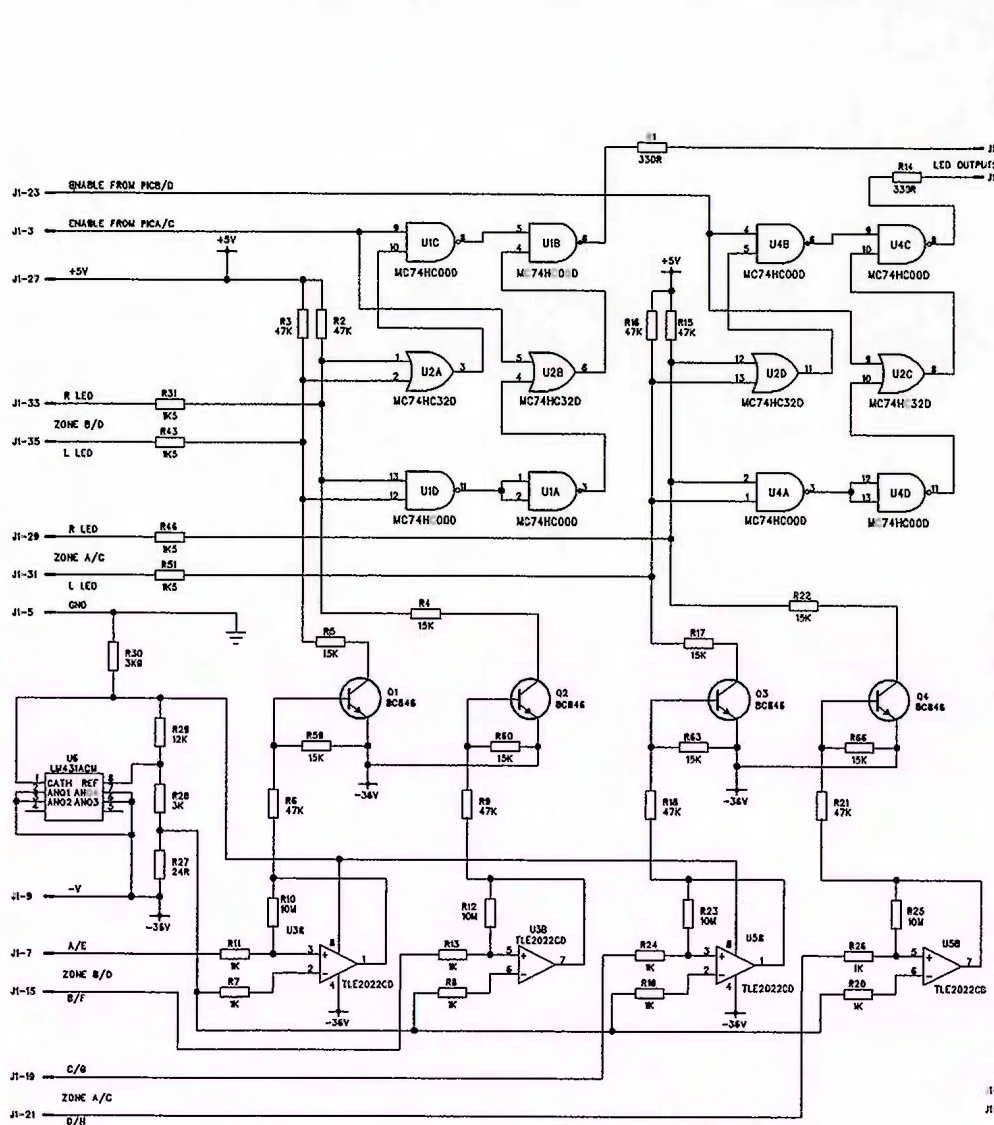
1



USED ON		MATERIAL	
	DIMENSIONS IN mm	FINISH	
	TOLERANCES	DO NOT SCALE	
	0.0 ± 0.5		
	0.0 ± 0.3		
0.00 ± 0.1			
UNLESS OTHERWISE STATED			

ISS		AMENDMENT		ECN		DATE	
TITLE		CASA CONTROLLER SCHEMATIC					

COPYRIGHT © 1997	
DRAWN	DATE
PLB	23-5-97
PART NO	
DRG. NO	ISS
C3575-4-4	1



USED ON

MATERIAL



DIMENSIONS IN mm	SCALE
TOLERANCES	 DO NOT SCALE
0 ± 0.5	
0.0 ± 0.3	
0.00 ± 0.1	
UNLESS OTHERWISE STATED	

FINISH

TITLE

CASA DEBUG/IR MODULE SCHEMATIC

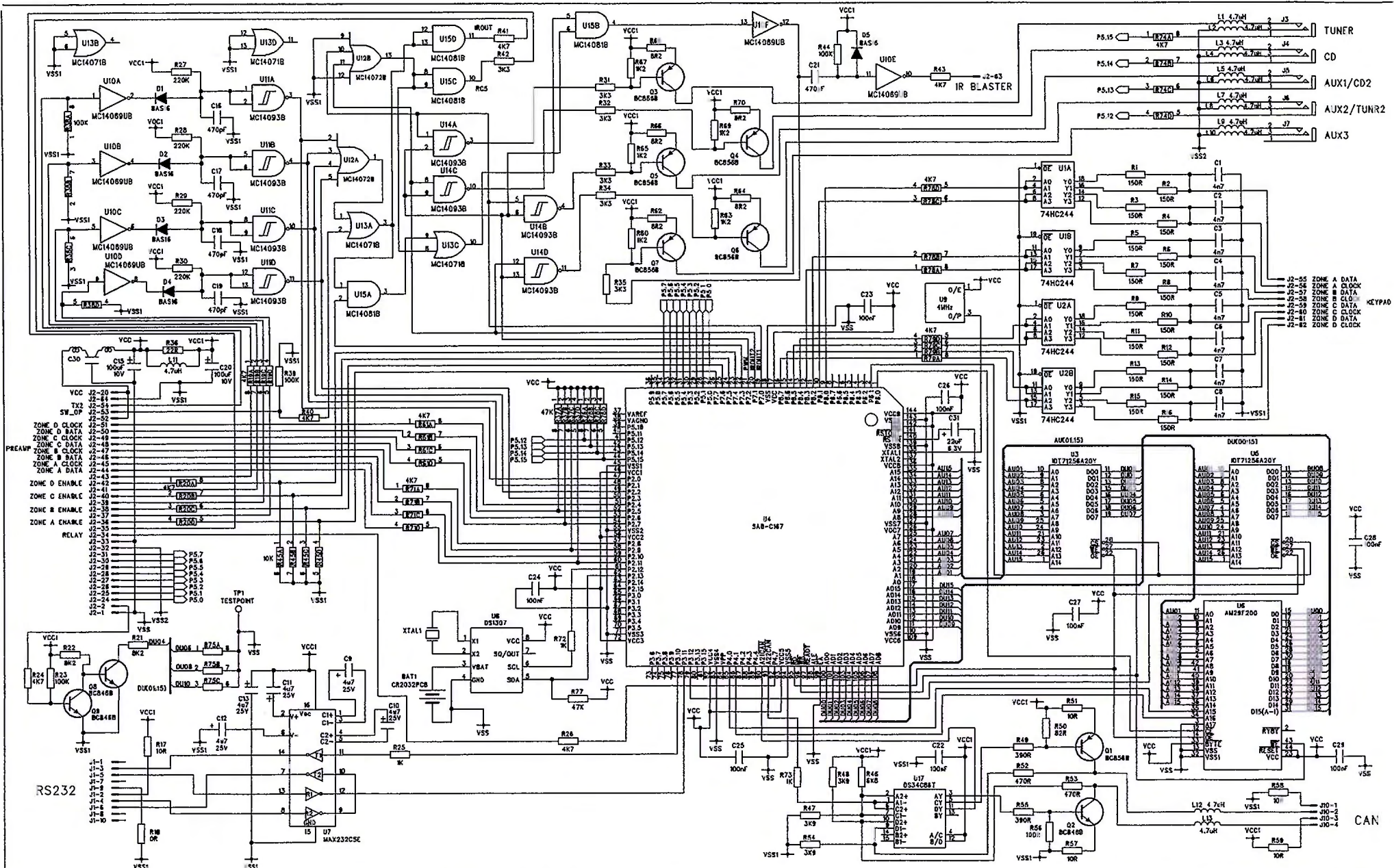
COPYRIGHT (C) 1996

DRAWN DATE
PLB 9-2-96

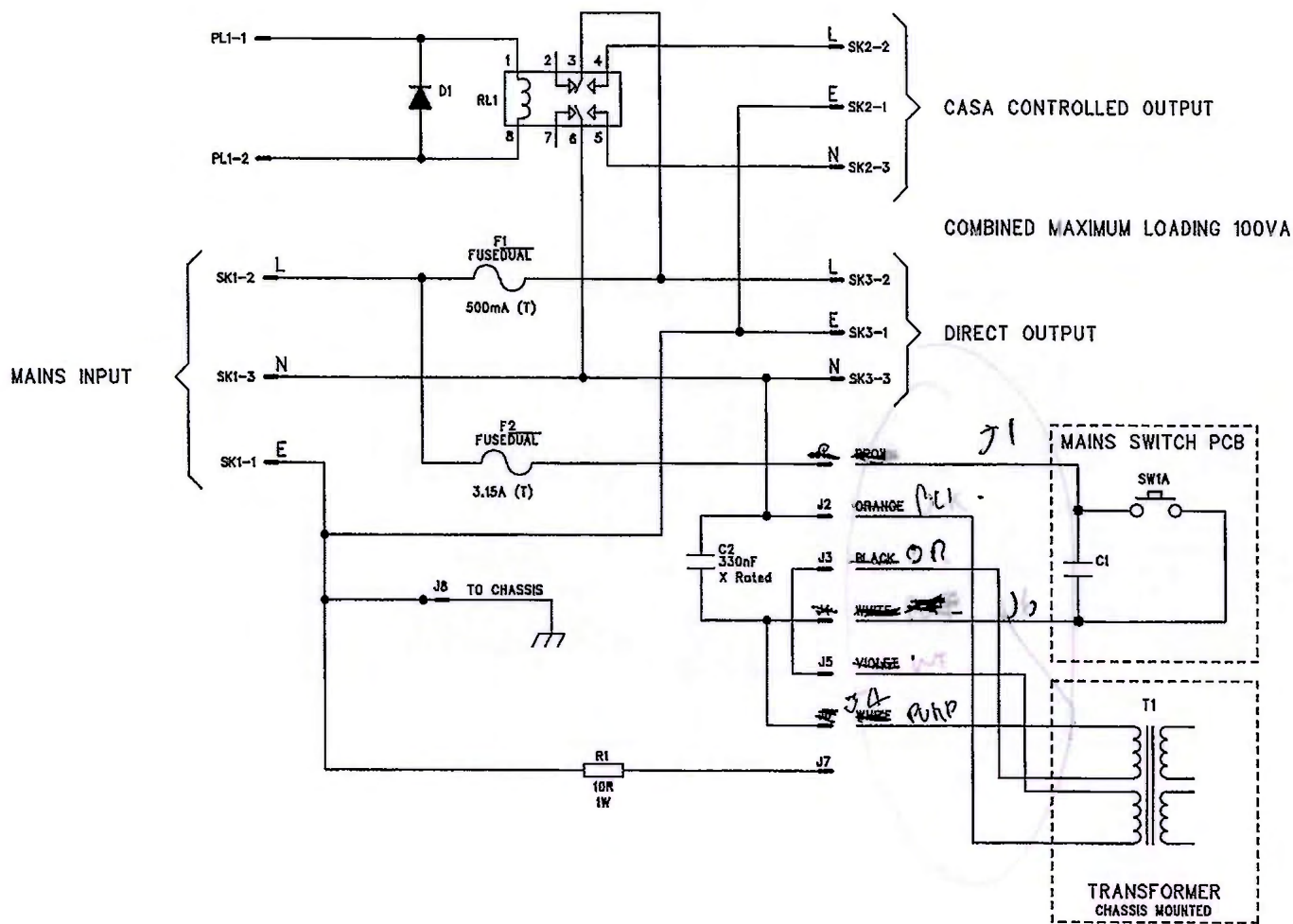
PART NO

DRG NO ISS

B3213-2-2 (1)

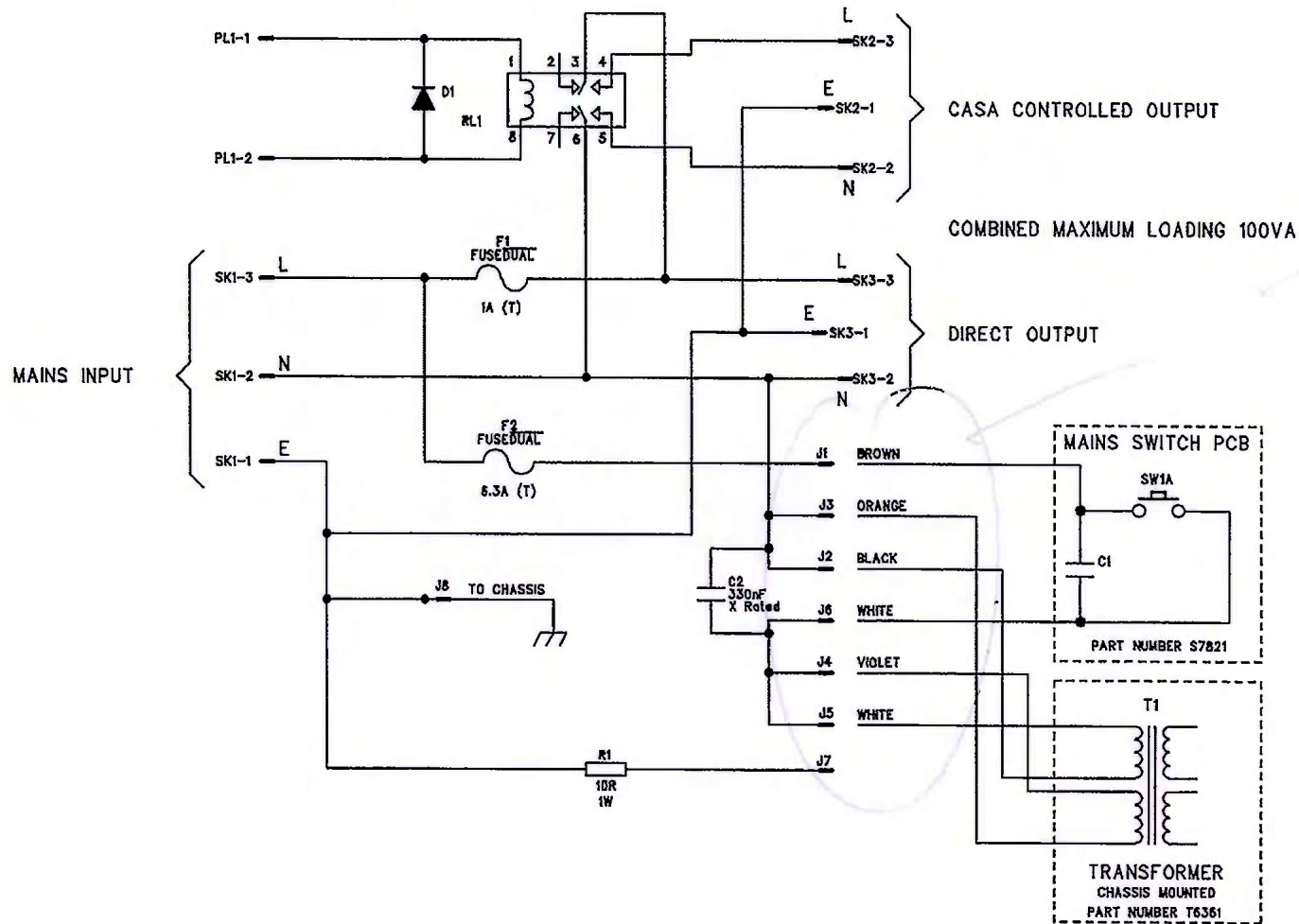


USED ON		MATERIAL		COPYRIGHT (C) 1997	
				DRAWN DATE	
				PLB 30-5-97	
				PART NO	
		DIMENSIONS IN mm TOLERANCES 0 ± 0.5 0.0 ± 0.3 0.00 ± 0.1 UNLESS OTHERWISE STATED		FINISH DO NOT SCALE	
TITLE				DRG NO ISS	
CASA CONTROLLER CPU/IR LOGIC SCHEMATIC				B3576-20 1	

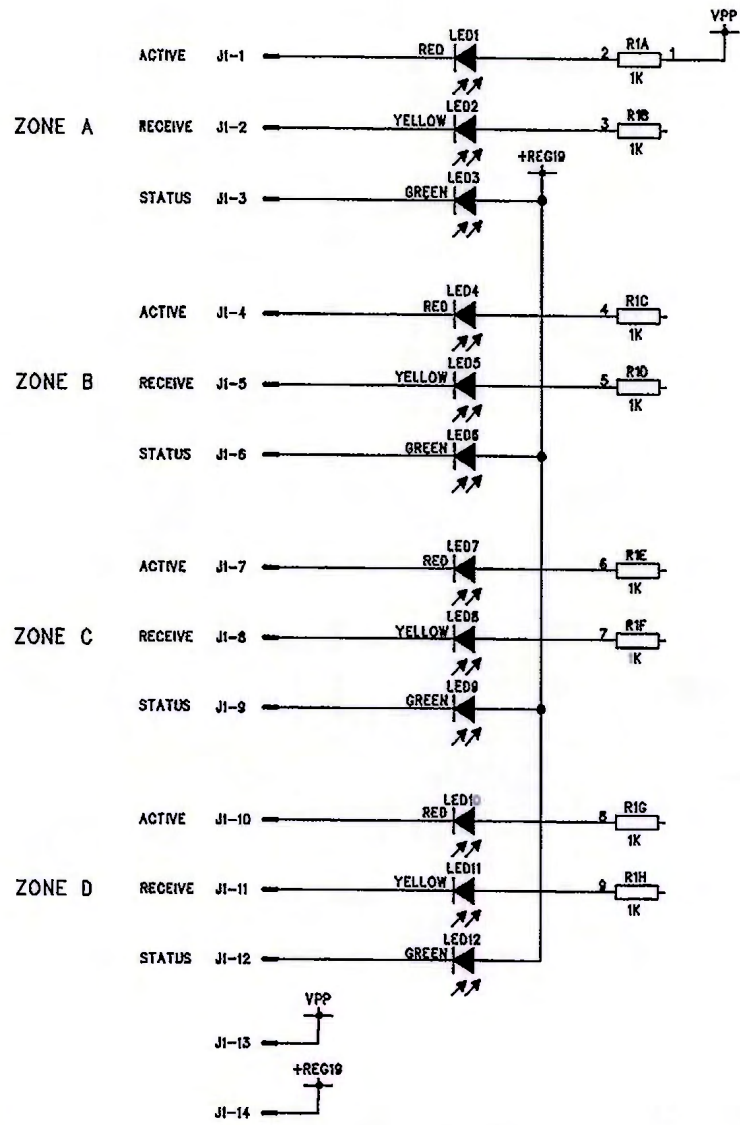



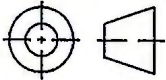
SEE
U.S.
CONNECTION

MATERIAL		FINISH				COPYRIGHT © 1998		
				b		DRAWN PLB	DATE 19-1-98	
 B&W LOUDSPEAKERS LIMITED WORTHING ENGLAND	DIMENSIONS IN mm		SCALE	ISS	AMENDMENT	ECN	DATE	
	TOLERANCES 0 ± 0.5 0.0 ± 0.3 0.00 +_ 0.1 UNLESS OTHERWISE STATED		 DO NOT SCALE	USED ON			PART NO.	
				TITLE			DRG NO	ISS
				CASA AC/RELAY (EURO) SCHEMATIC			A3829-2-2	①



MATERIAL	FINISH							COPYRIGHT ©
								DRAWN PLB
								DATE 17-10-96
								PART NO
								DRG NO
								ISS
								A3354-2-2 (1)
 DAW LOUDSPEAKERS LIMITED WORTHING ENGLAND		DIMENSIONS IN mm TOLERANCES 0 ± 0.5 0.0 ± 0.3 0.00 ± 0.1 UNLESS OTHERWISE STATED	SCALE DO NOT SCALE	ISS USED ON TITLE CASA AC/RELAY (US) SCHEMATIC	AMENDMENT ECN DATE	PART NO DRG NO A3354-2-2	ISS (1)	



MATERIAL		FINISH				COPYRIGHT © 1997	
						DRAWN PLB DATE 9-9-97	
	DIMENSIONS IN mm		SCALE	ISS	AMENDMENT	ECN	DATE
	TOLERANCES 0 ± 0.5 0.0 ± 0.3 0.00 +_ 0.1 UNLESS OTHERWISE STATED		 DO NOT SCALE	USED ON TITLE CASA CONTROLLER FRONT PANEL SCHEMATIC			PART NO. DRG NO. A3668-2-2 (1) ISS



TITLE
MAINS SWITCH SCHEMATIC

DRG NO.

ISSUE

DATE 22-7-98

© 1998

DRAWN PLB

A4072-2-2

①

