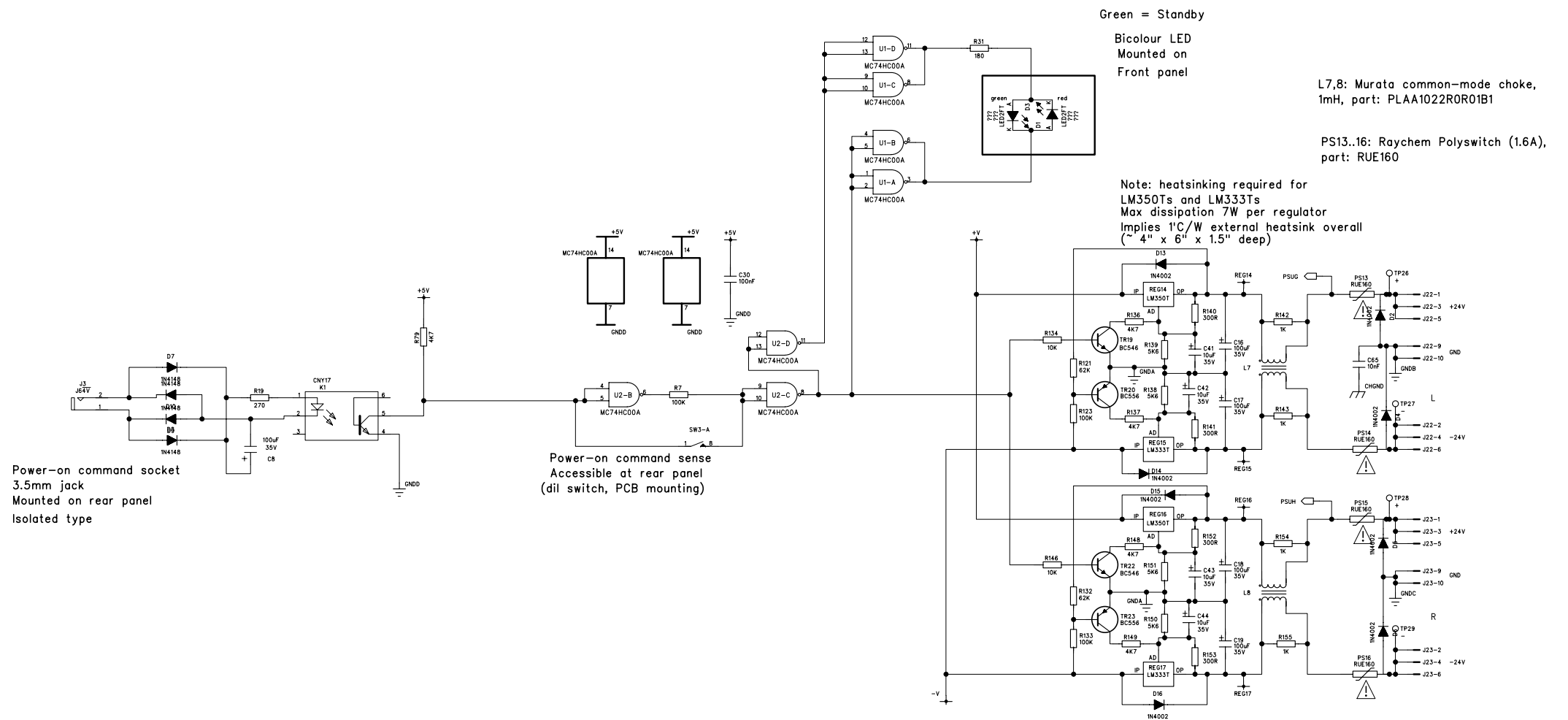
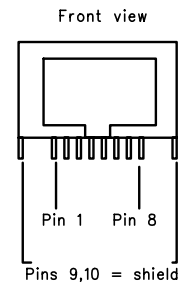
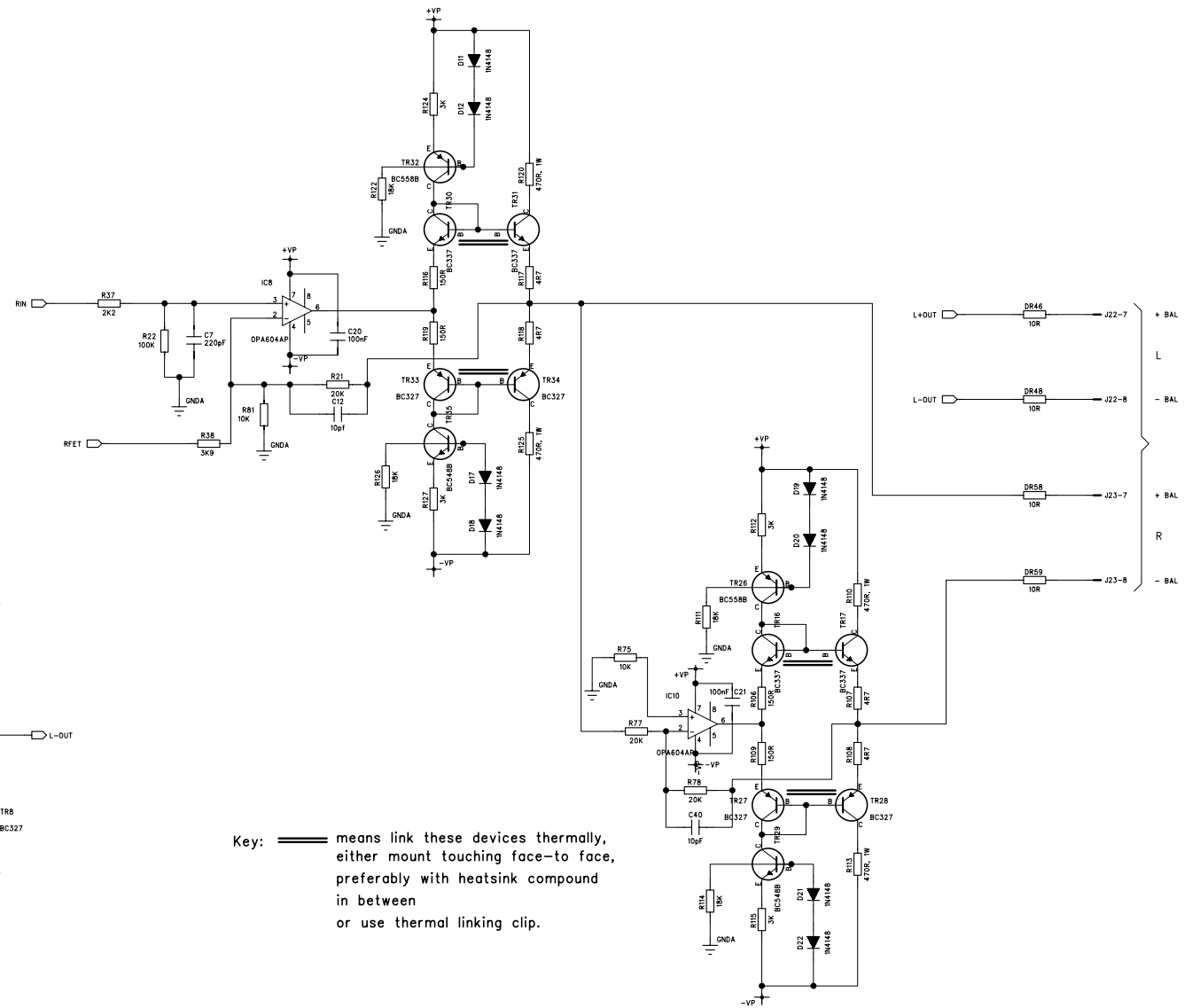
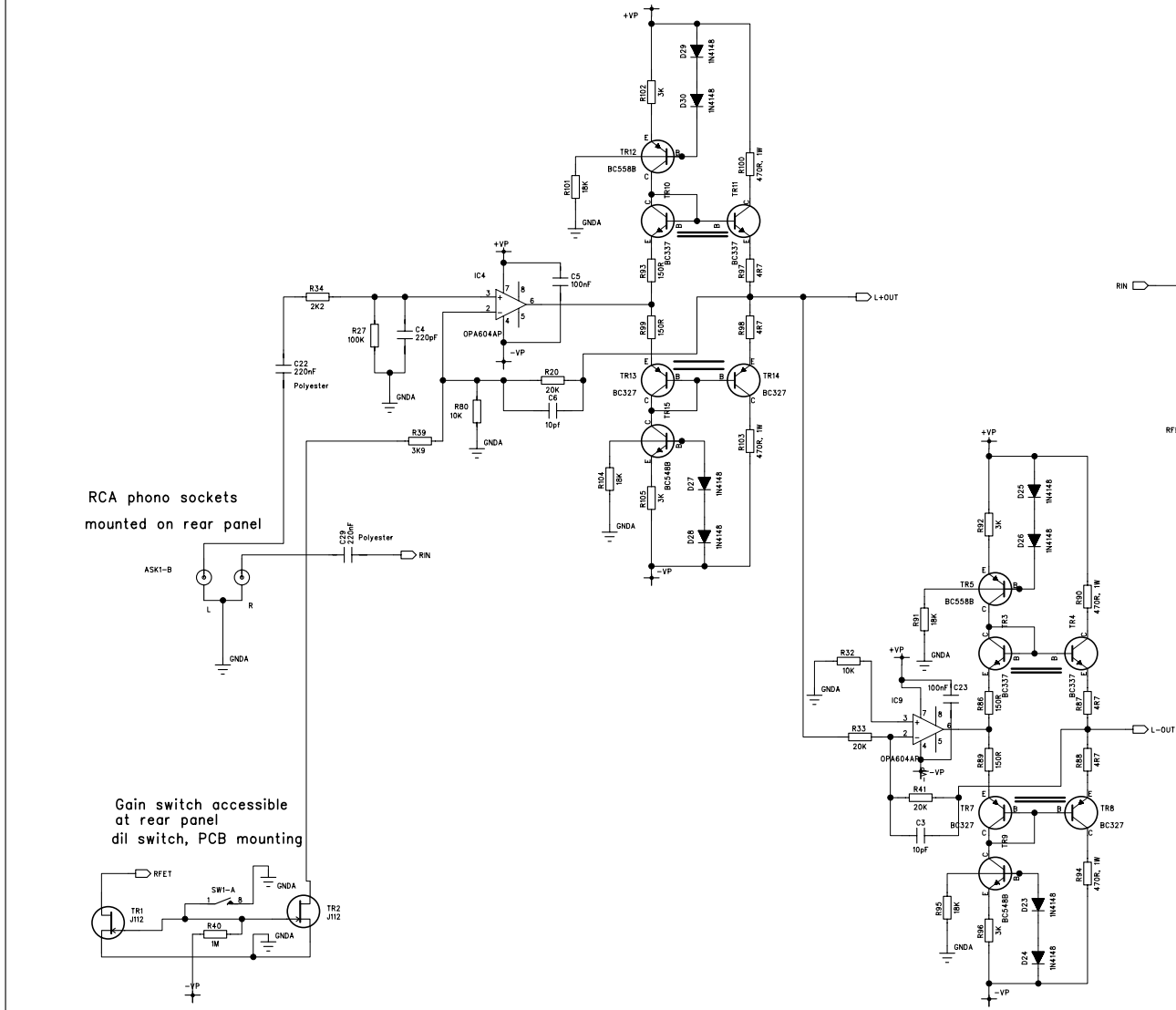
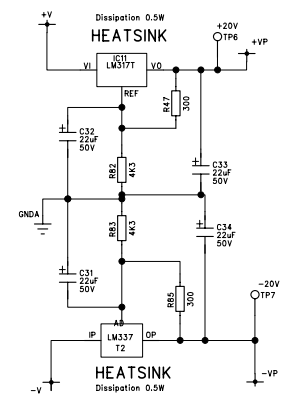
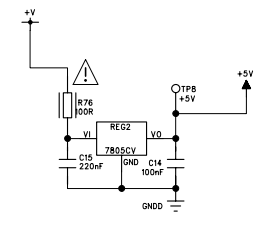
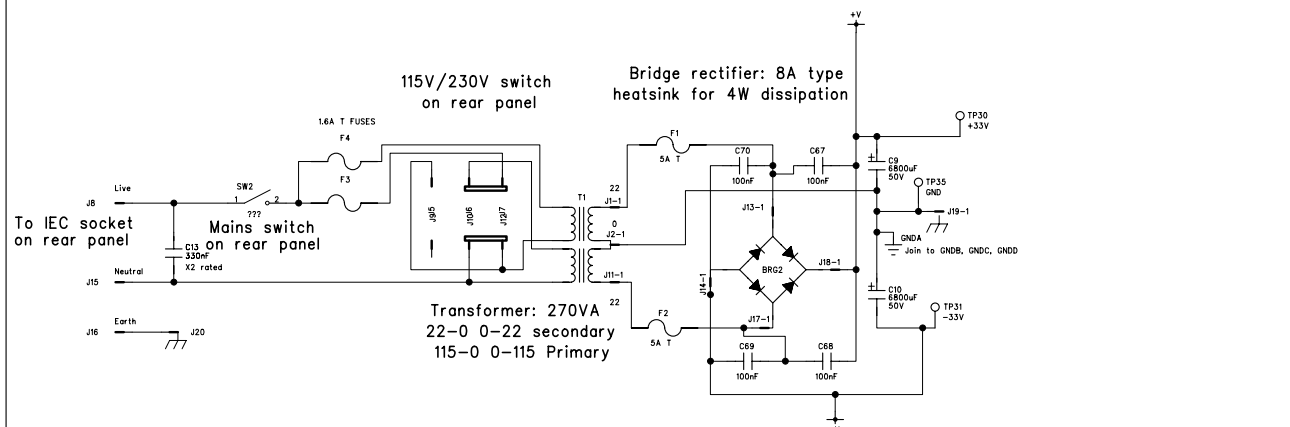


RJ45 sockets: Molex part: 95040-2881,
low-profile, shielded, right-angle.



USED ON		MATERIAL		COPYRIGHT © 1998	
DIMENSIONS IN mm		SCALE		DRAWN DATE	
TOLERANCES		DO NOT SCALE		PHE 24-2-98	
0. ± 0.5				PART NO.	
0.0 ± 0.3				ISS	
0.00 ± 0.1				AMENDMENT	
UNLESS OTHERWISE STATED				ECN DATE	
		FINISH		24-2-98	
				PART NO.	
				ISS	
				DATE	
				DRG. NO.	
				C3865-1-2	
				ISS	
				(B)	
				TITLE	
				CASA INTERFACE SCHEMATIC	



Key: means link these devices thermally, either mount touching face-to-face, preferably with heatsink compound in between or use thermal linking clip.

USED ON		MATERIAL		COPYRIGHT © 1998	
				DRAWN PHE	
				DATE 24-2-98	
DIMENSIONS IN mm		SCALE		B COMPONENT VALUE CHANGES. BRG1 DELETED.	
TOLERANCES		FINISH		24-2-98 PART NO.	
0. ± 0.5				ISS AMENDMENT	
0.0 ± 0.3				ECN DATE	
0.00 ± 0.1				TITLE	
UNLESS OTHERWISE STATED		DO NOT SCALE		CASA INTERFACE SCHEMATIC	
				DRG. NO. ISS	
				C3865-2-2 (B)	

