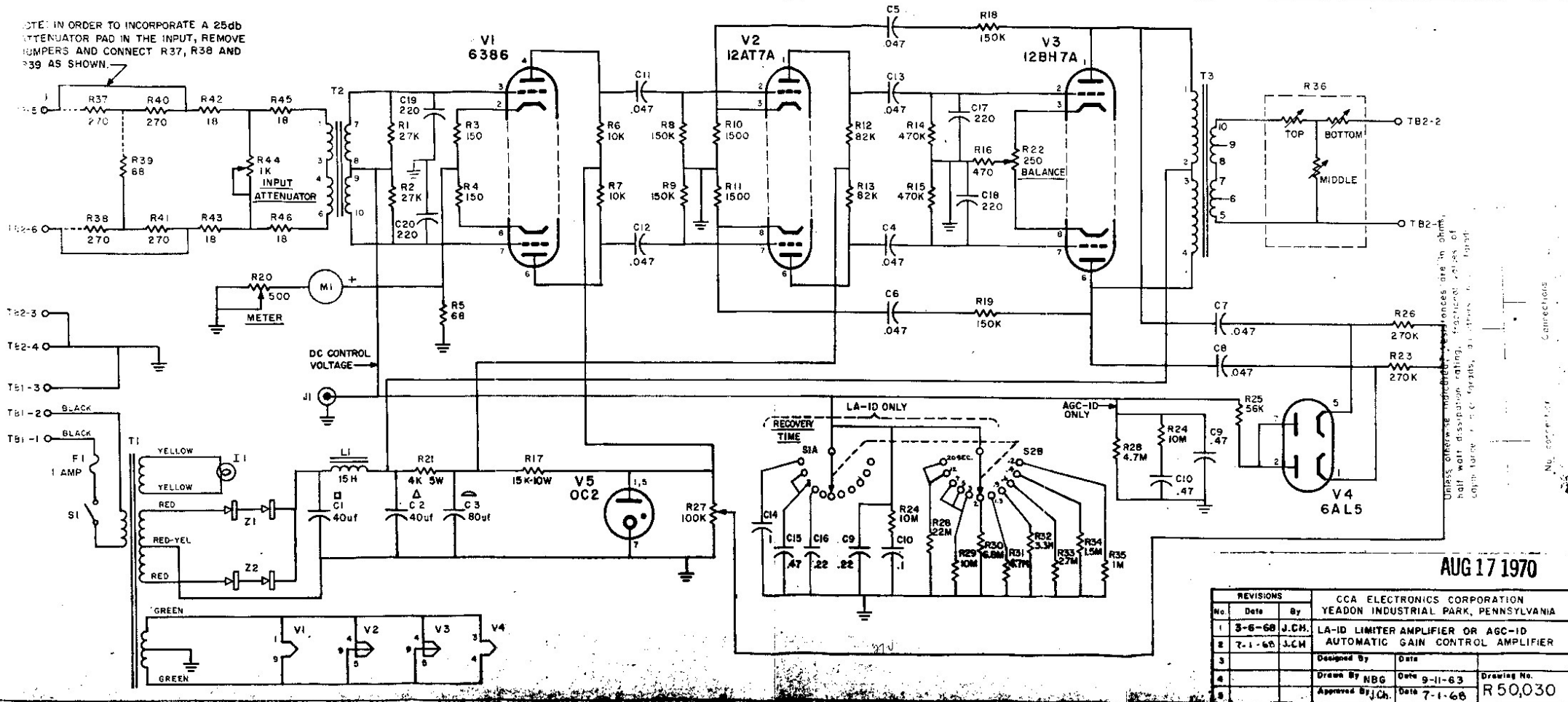


NOTE: IN ORDER TO INCORPORATE A 25db
ATTENUATOR PAD IN THE INPUT, REMOVE
JUMPER AND CONNECT R37, R38 AND
R39 AS SHOWN.



AUG 17 1970

REVISIONS			CCA ELECTRONICS CORPORATION YEADON INDUSTRIAL PARK, PENNSYLVANIA	
No.	Date	By	Designed By	Date
1	3-6-68	J.C.H.		
2	7-1-68	J.C.H.		
3				
4				
5				

Drawn By	NBG	Date	9-11-63	Drawing No.
Approved By	J.Ch.	Date	7-1-68	R 50,030

UNLESS OTHERWISE INDICATED, RESISTANCE VALUES ARE IN OHMS,
CAPACITANCE VALUES ARE IN P.F., INDUCTANCE VALUES ARE IN MH,
AND WATT RATINGS ARE IN WATTS, UNLESS OTHERWISE SPECIFIED.

No. connections