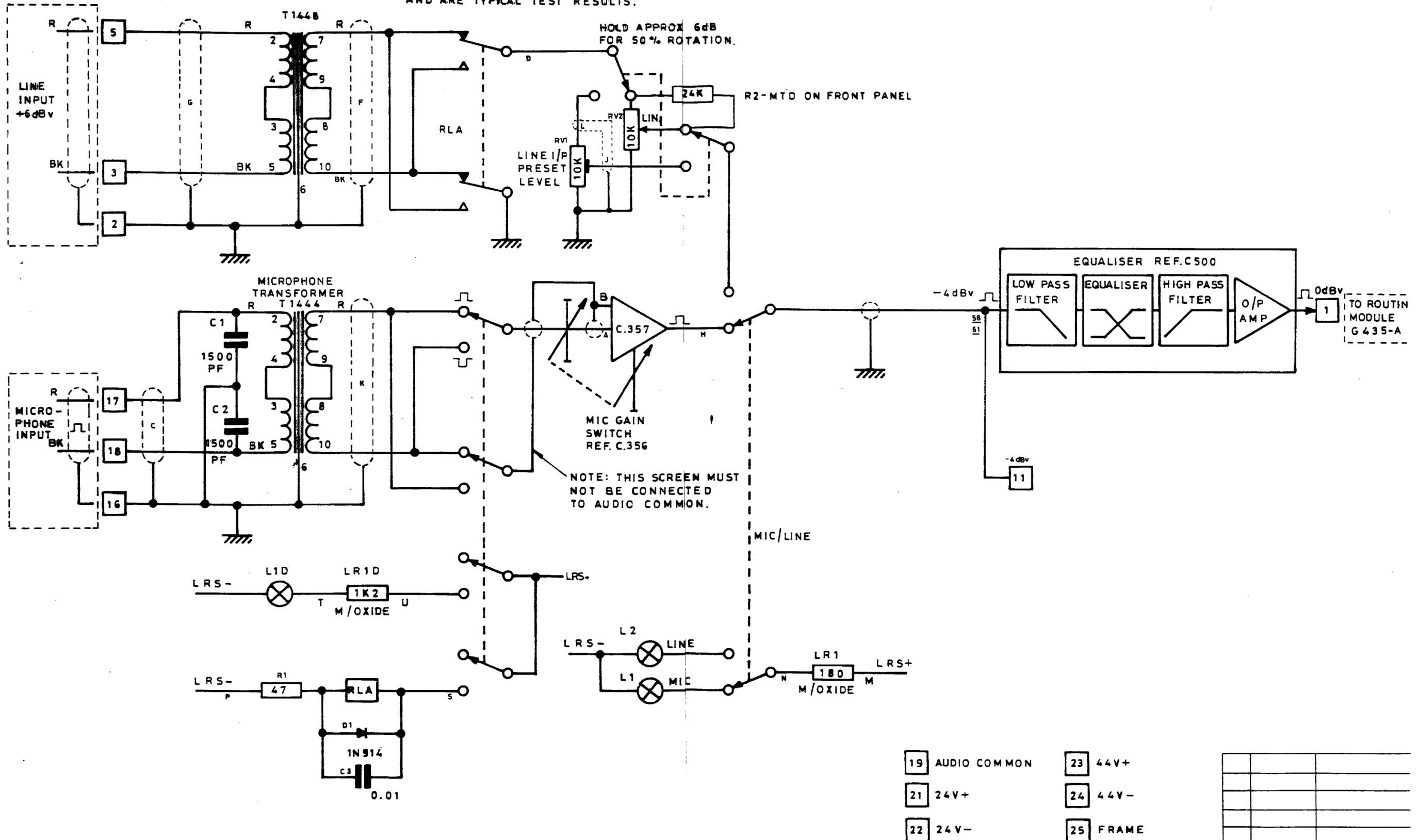


NOTE: 0dBv = 0.775v R.M.S.
 NOISE MEASUREMENTS MADE WITH
 BANDWIDTH 10 Hz TO 10 kHz (-3dB POINTS)
 AND ARE TYPICAL TEST RESULTS.



MODULE TITLE
 MICROPHONE AND LINE INPUT
 WITH EQUALISER TYPE

NOTES:- □ = CONNECTOR PIN No.
 ⏏ = AUDIO COMMON NOT CHASSIS

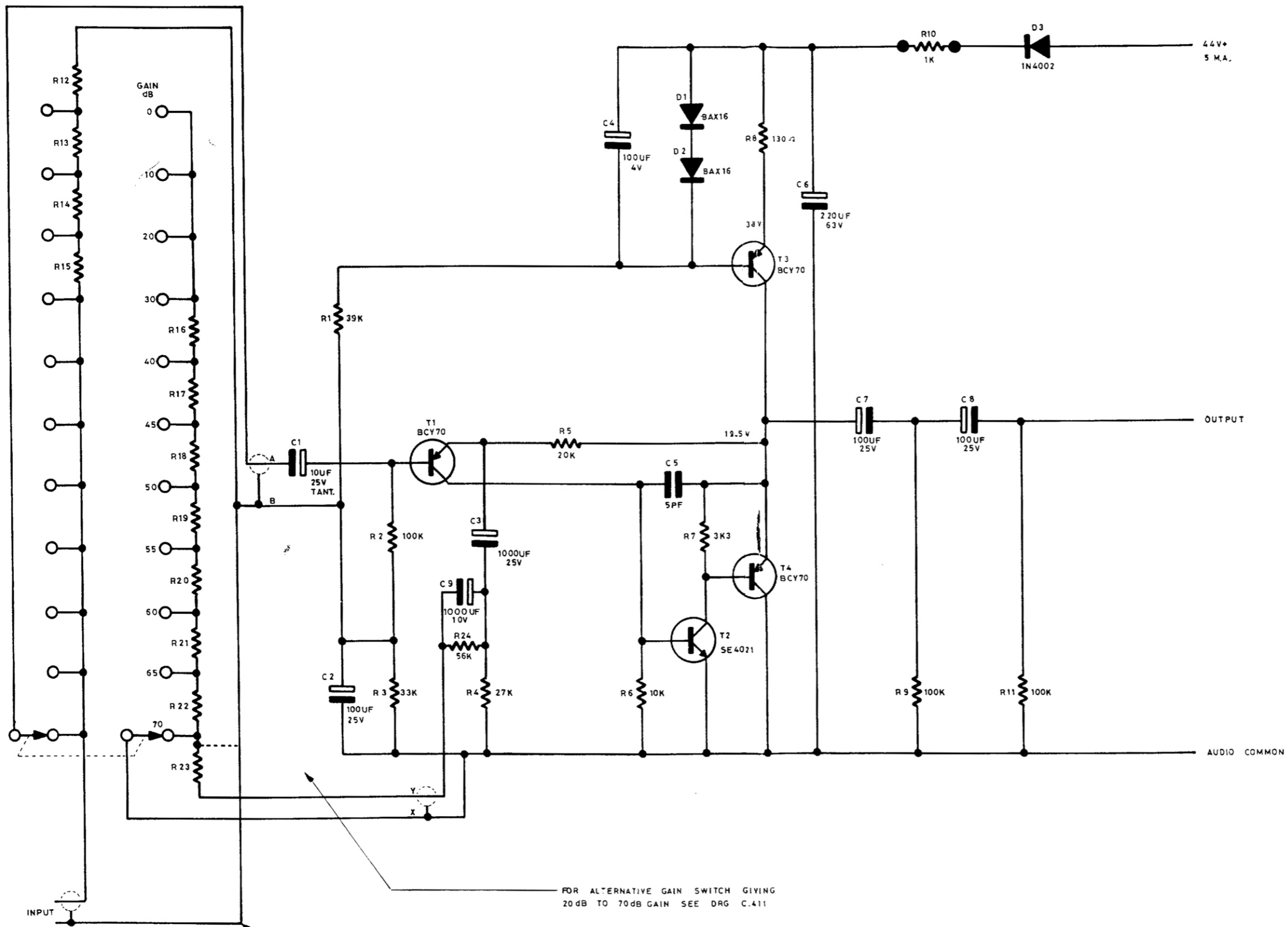
SUFFIX 'F' = EQ WITH POTS
 " 'G' = EQ WITH SWITCHES

CONN = 25 WAY
 P.C.B.No =
 C.268-F/G

CADAC (LONDON) LTD.,
 HARPENDEN,
 ENGLAND.

© 1977

3	APR 1977	C/N 77-233
2	JAN 1977	
No.	DATE	DRAWING No.
	ISSUE	C.268 F/G

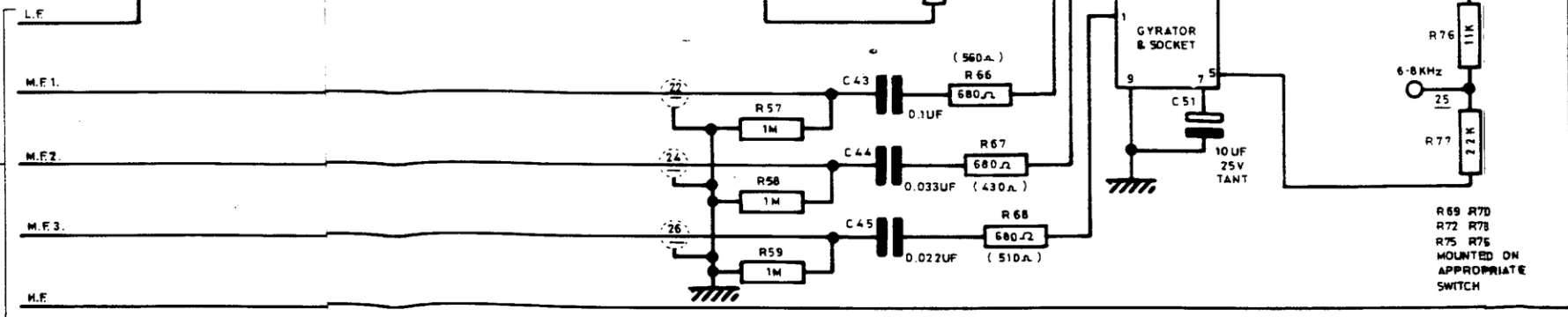
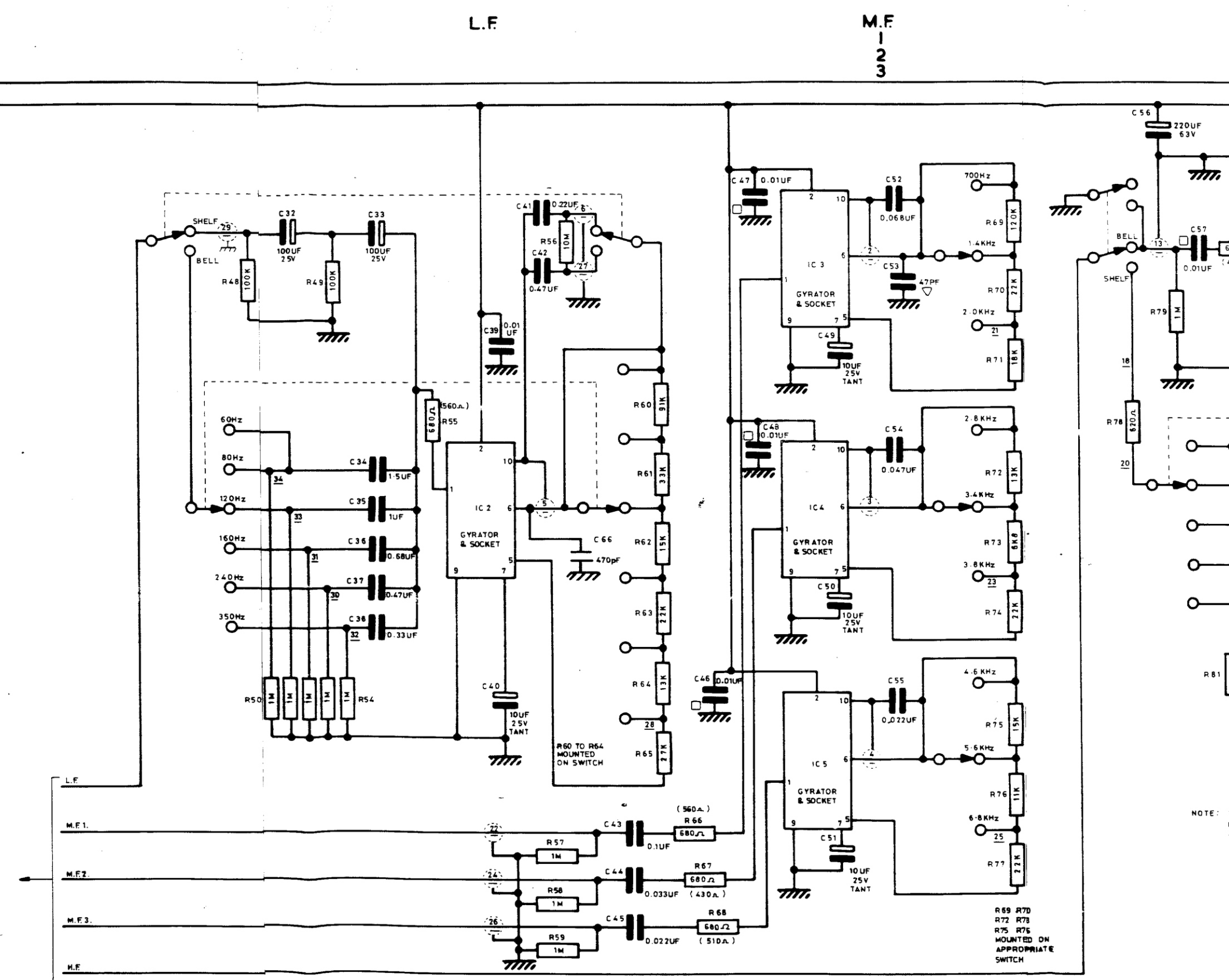
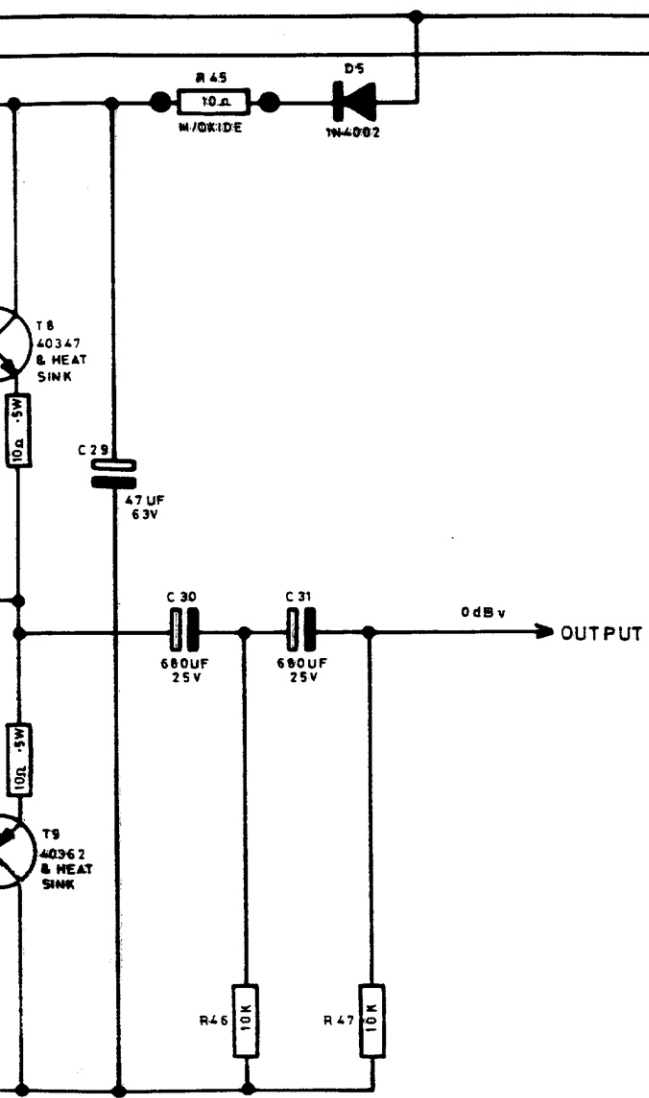


FOR VALUES OF R12 TO R23 SEE DRG. C.356

NOTE.
THIS 'SCREEN' IS NOT
CONNECTED TO AUDIO COMMON.

FOR ALTERNATIVE GAIN SWITCH GIVING
20dB TO 70dB GAIN SEE DRG C.411

DRAWING No.	
C.357	
ISSUE	
No.	DATE
1	MAR 1975
2	FEB 1976
3	SEP 1976



R69 R70
R72 R73
R75 R76
MOUNTED ON
APPROPRIATE
SWITCH

NOTE: VAL
USE
FIT

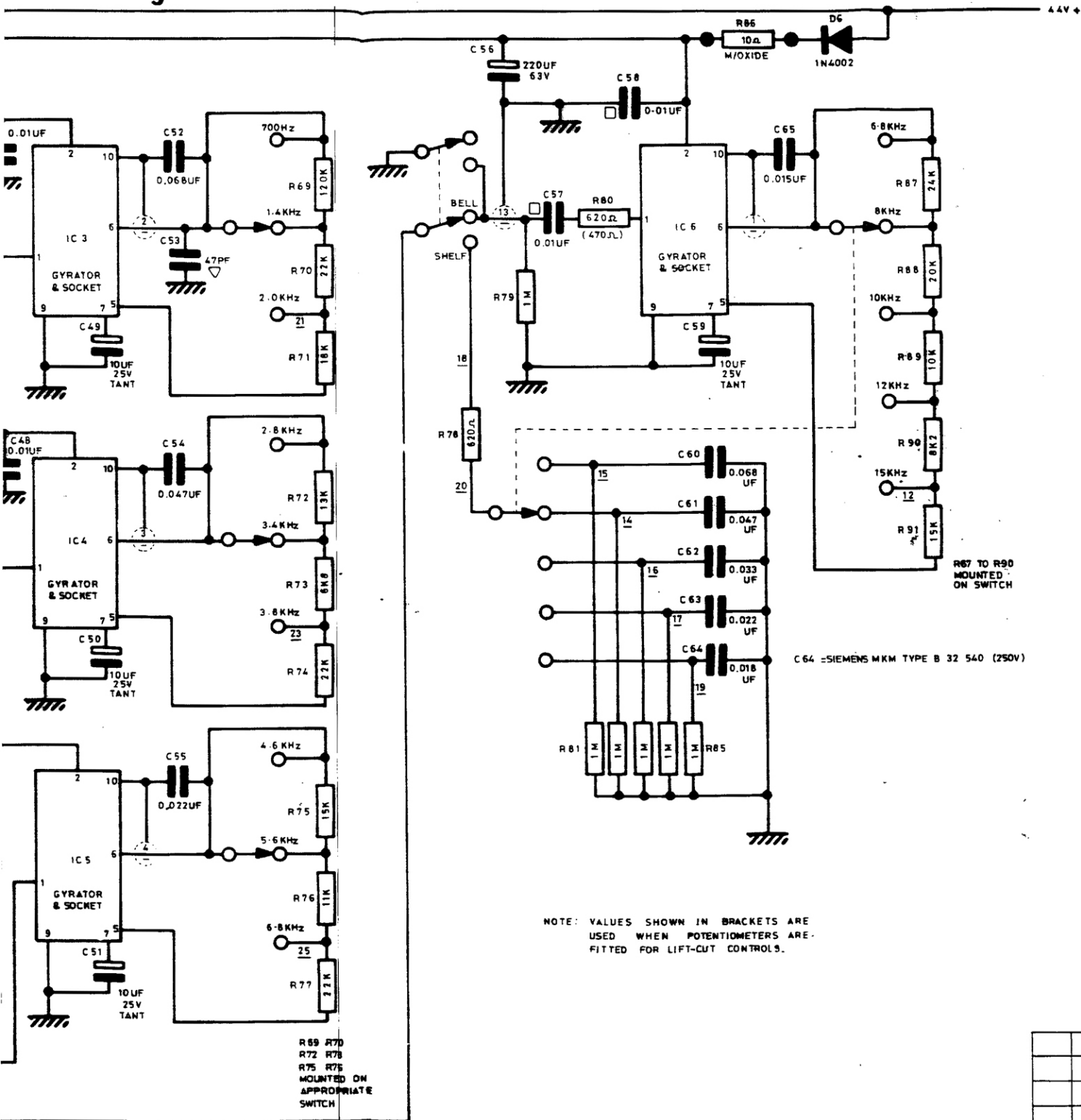
TITLE

EQUALIZER

NOTES: \square = AUDIO COMMON NOT CHASSIS
UNMARKED NON-ELECTROLYTIC CAPACITORS = 5% METALIZED POLYESTER (UNLESS SHOWN OTHERWISE)
CAPACITORS MARKED \square = 20% METALIZED FILM
" " ∇ = 10% POLYSTYRENE 63V

M.F.
1
2
3

H.F.



⏏ = AUDIO COMMON NOT CHASSIS

UNMARKED NON-ELECTROLYTIC CAPACITORS = 5% METALIZED POLYESTER (UNLESS SHOWN OTHERWISE)
CAPACITORS MARKED □ = 20% METALIZED FILM
" " ▽ = 10% POLYSTYRENE 63V

CADAC (LONDON) LTD.,
HARPENDEN,
ENGLAND. © 1977

1	JAN 1977	
No.	DATE	DRAWING No.
		C.500