

SECTION VII ILLUSTRATIONS

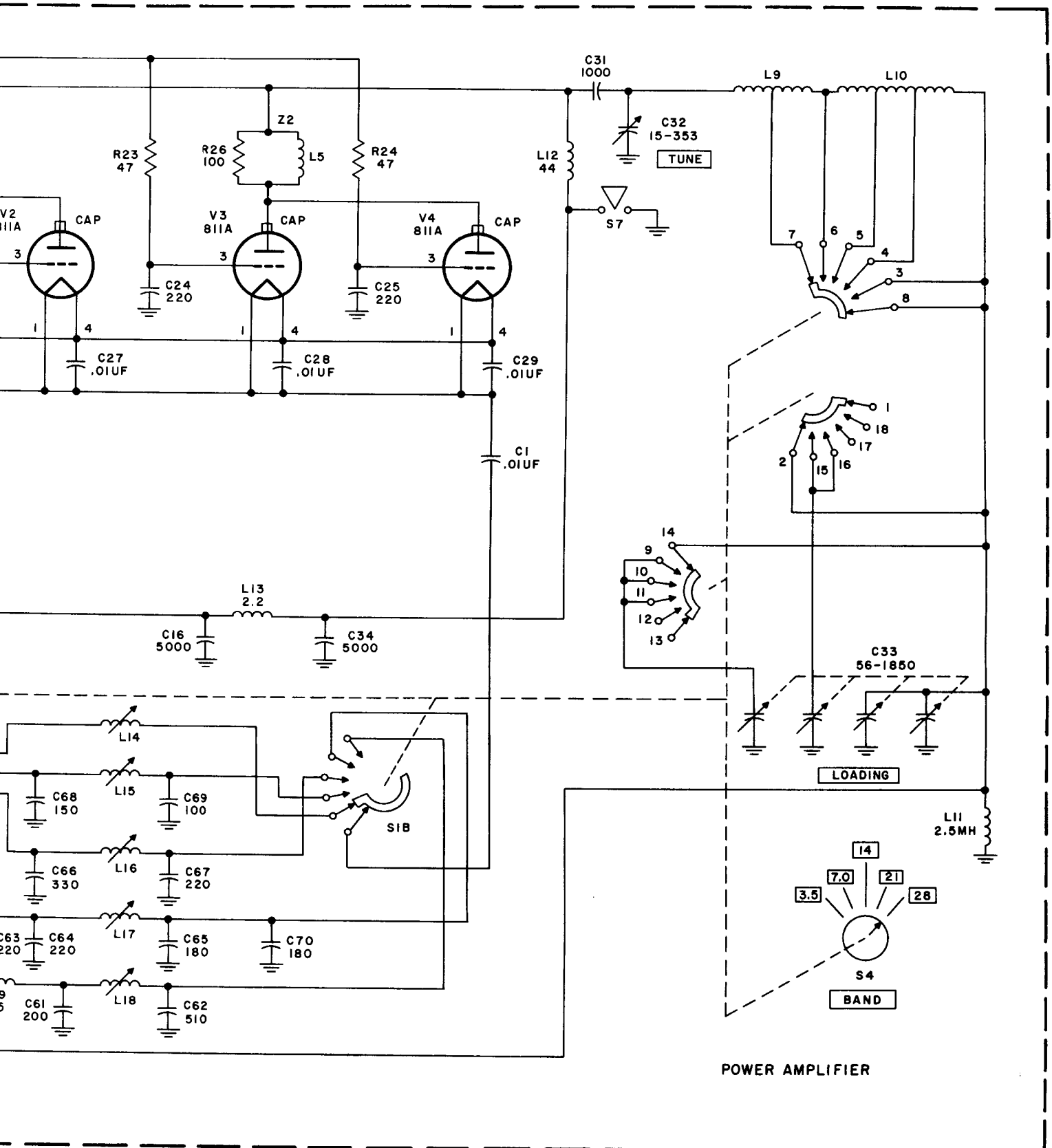
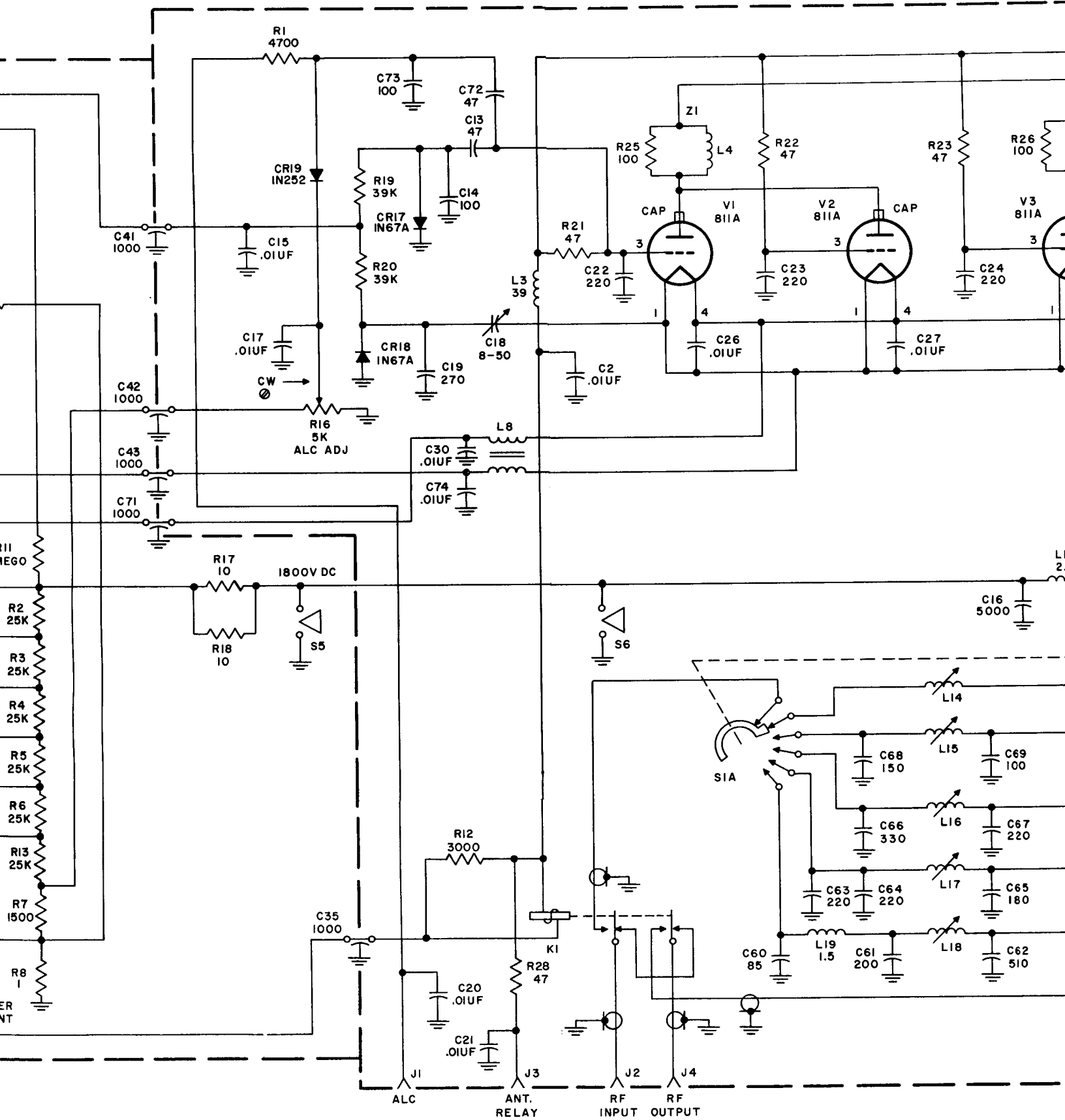


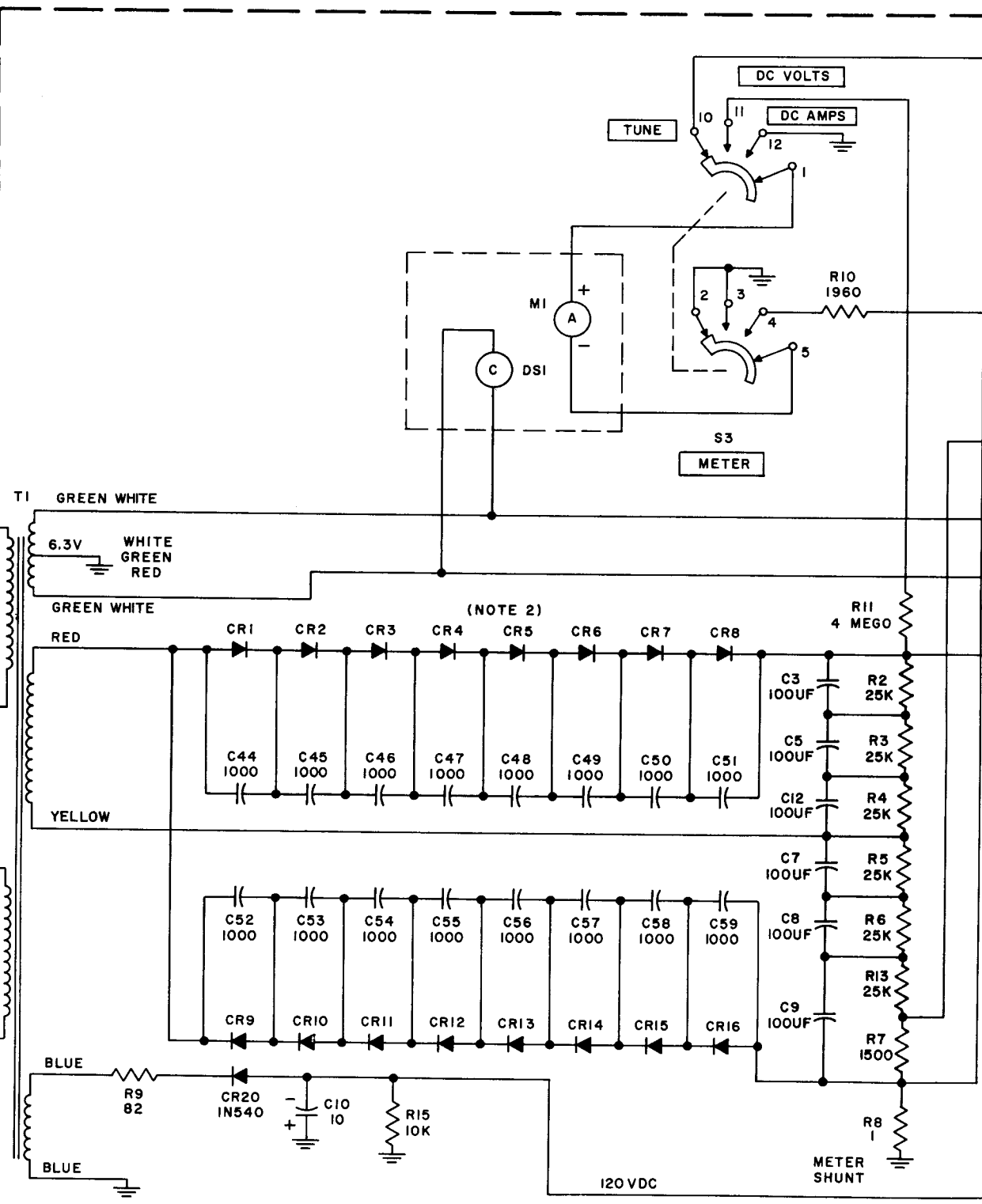
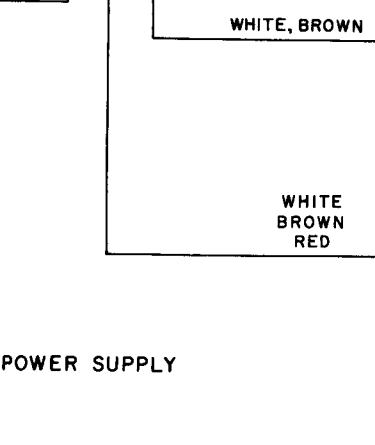
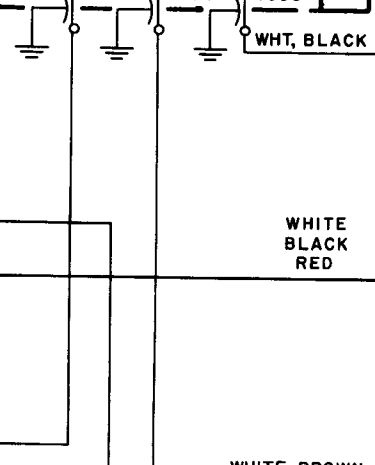
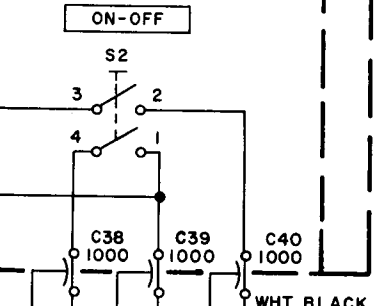
Figure 7-1. 30L-1 Schematic Diagram



VALUES ARE IN
INDUCTANCE VALUES

115VAC. TO CONNECT FOR 230 VAC,
4 TO 5. MOVE WHITE WIRE OF POWER
2. ADD JUMPERS FROM TERMINALS

POWER AMPL



(NOTE 2)

120 VDC

METER SHUNT

NOTES:

1. UNLESS OTHERWISE INDICATED, ALL RESISTANCE VALUES ARE IN OHMS, ALL CAPACITANCE VALUES IN UUF, ALL INDUCTANCE VALUES ARE IN UH.
2. CRI THRU CRI6 ARE ALL IN1492.
3. AMPLIFIER SHIPPED WITH PRIMARIES CONNECTED FOR 115VAC. TO CONNECT FOR 230 VAC, REMOVE JUMPERS ON TBI, TERMINALS 1 TO 2 AND 4 TO 5. MOVE WHITE WIRE OF POWER CORD AND UNGROUNDED LEAD OF C4 TO TERMINAL 2. ADD JUMPERS FROM TERMINALS 1 AND 4 TO 3.
4. BREAK AT POINT X FOR 230 VAC, 2 WIRE SYSTEMS.

