

**SPECIFICATIONS**

POWER OUTPUT: 400 mW continuous (RMS) power @ 5% T.H.D. into 8 ohms

FREQUENCY RESPONSE: 200-6300Hz,  $\pm 4$ db

SIGNAL-TO-NOISE RATIO: 40db minimum

WOW & FLUTTER: 35% W.R.M.S.

DISTORTION: 5% T.H.D. @ 315Hz @ std. operating level

FAST-FORWARD/REWIND TIME: 120 seconds for C-60 Cassette

TAPE INDEX: 3-digit "2X" counter with button reset

TAPE SPEED: 1-7/8 IPS, +3, -2%

SPINDLE TORQUE: Take-up, 40  $\pm 10$  gm-cm  
Fast-wind, 70 to 200 gm-cm

HEADS: (3410) 2-track mono play  
(3420 & 3430) 2-track mono record/play & erase

INDICATOR: (3430) Battery/Record Level

TAPE CAPACITY: Philips-type cassette: C-30, C-60, C-90

POWER SOURCE: 6V DC (4 "C" cells) or 120V, 50-60Hz AC

MOTOR: 6V DC, centrifugally governed at 2000 RPM

INPUTS: (3420 & 3430) Auxiliary (250 mV, 680K ohms, 1/4" phone); Microphone (.25 mV, 20K ohms, 3.5mm); Remote (2.5mm)

OUTPUTS: (3410, 1/4" phone): 1) Headset; 2) External speaker/Listening center (8 ohms min.); 3) Auxiliary (.5 V, 30K ohms)  
(3420 & 3430, 1/4" phone): Auxiliary/External speaker/Headset/Listening center (8 ohms min.)

TRANSPORT CONTROLS: Pushbutton (piano-key) Rewind/Review; Play; Fast-Forward/Cue; Stop/Eject; (3420 & 3430) Record

VOLUME: Thumbwheel

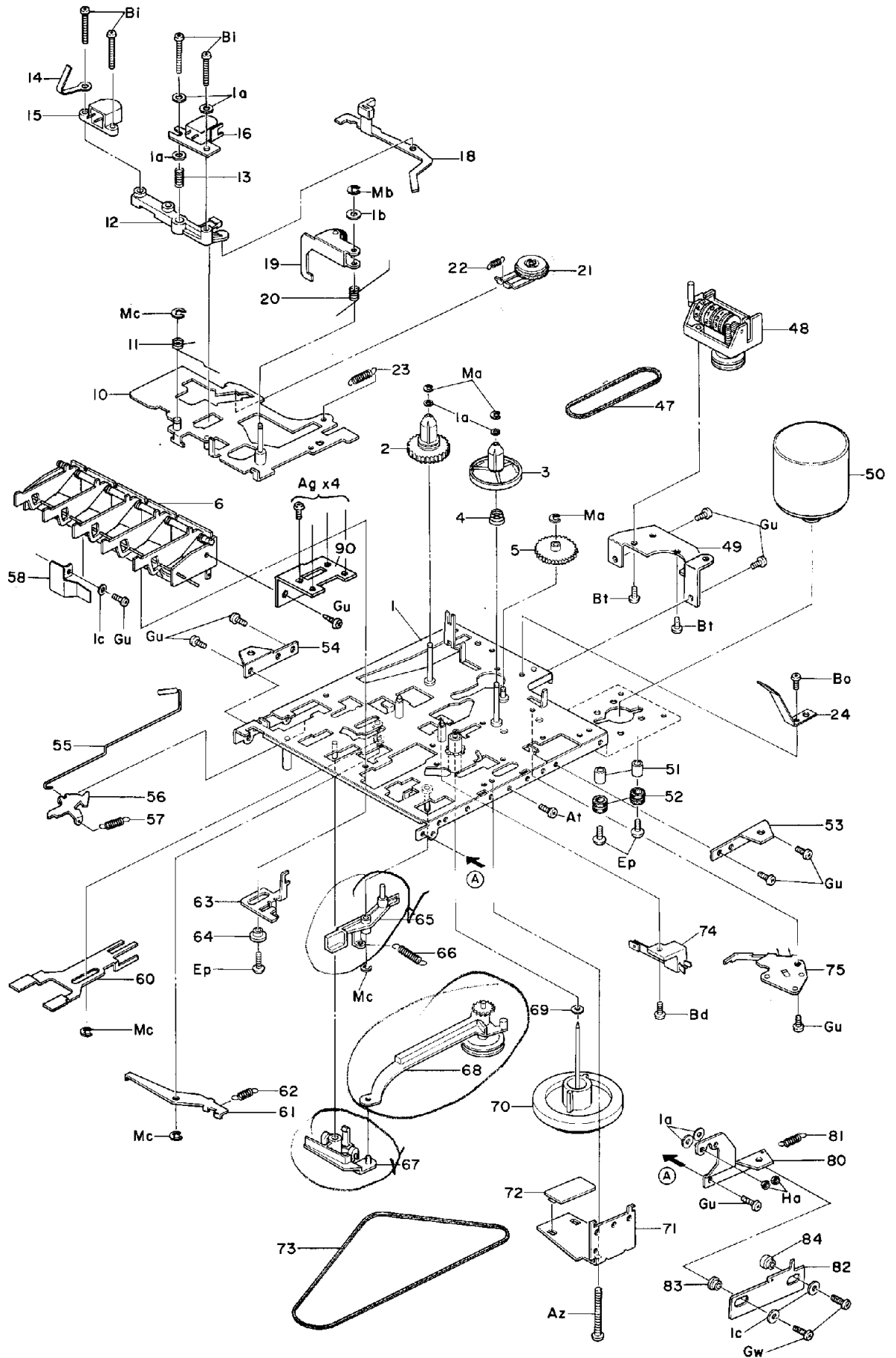
tone: (3430) High/Low switch

PAUSE: (3430) Run/Pause switch

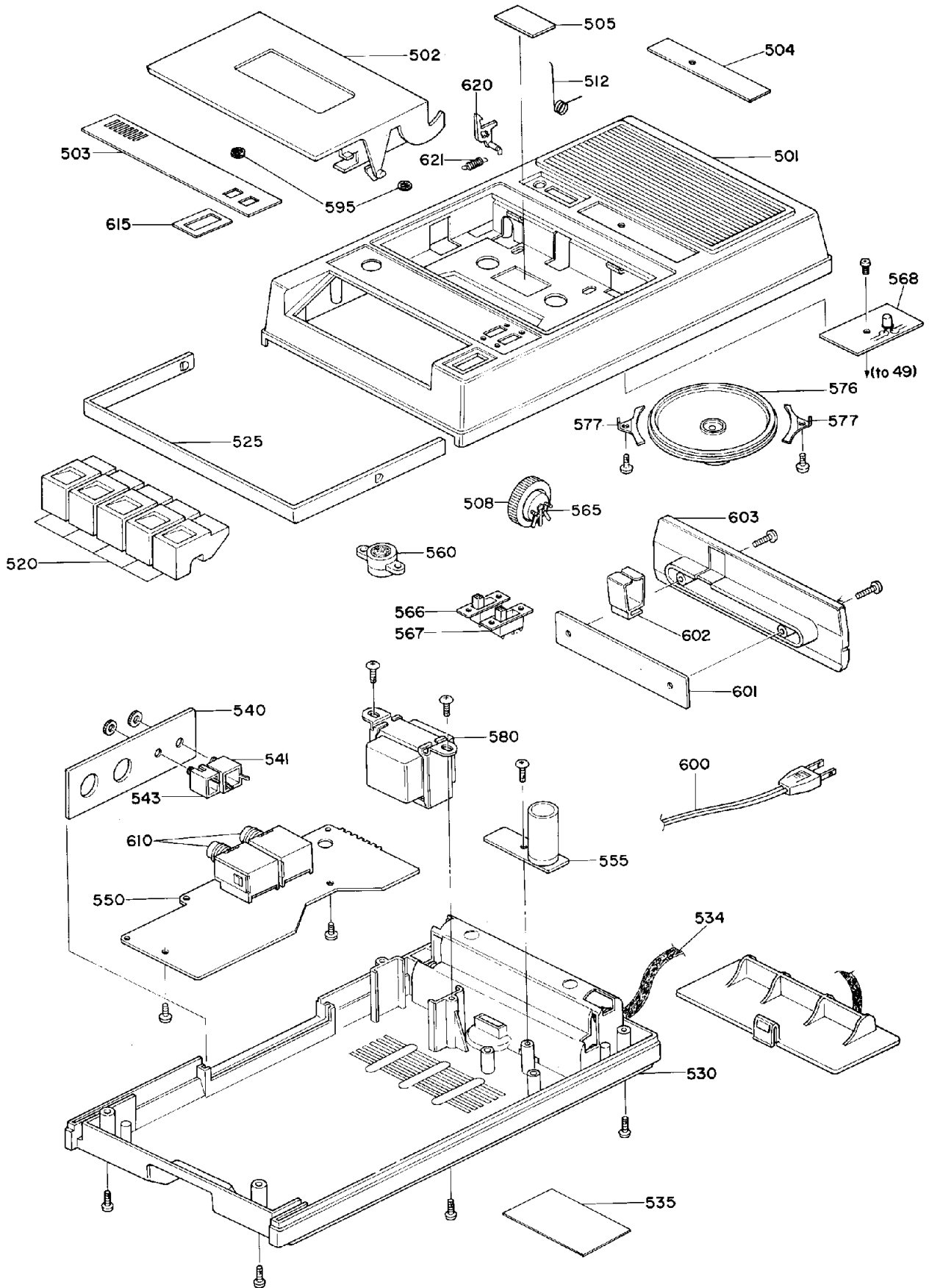
DIMENSIONS: 10.8" L x 5.9" W x 2.4" H

WEIGHT: 3-3/4 lbs. (without batteries)

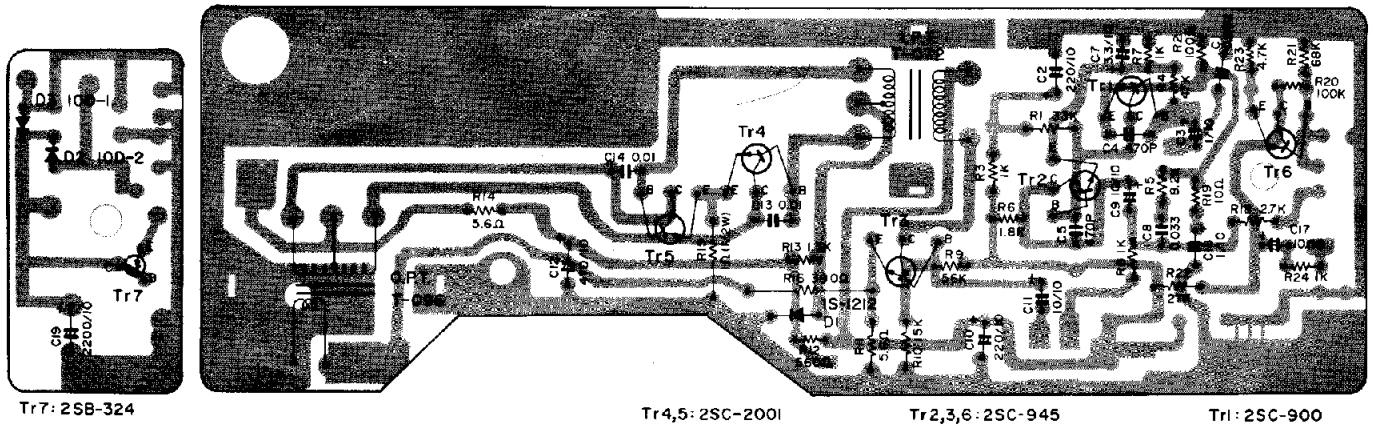
MECHANISM PARTS



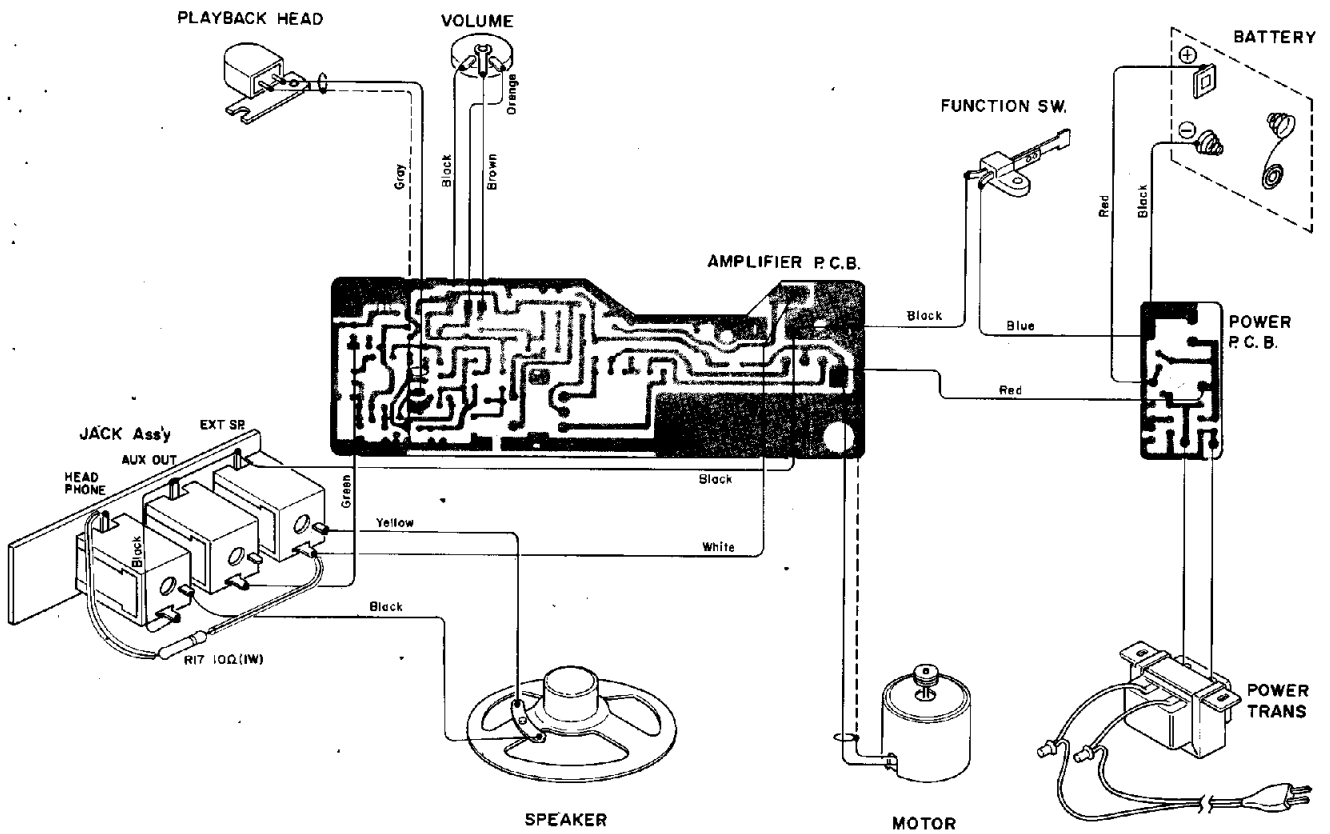
CASE PARTS



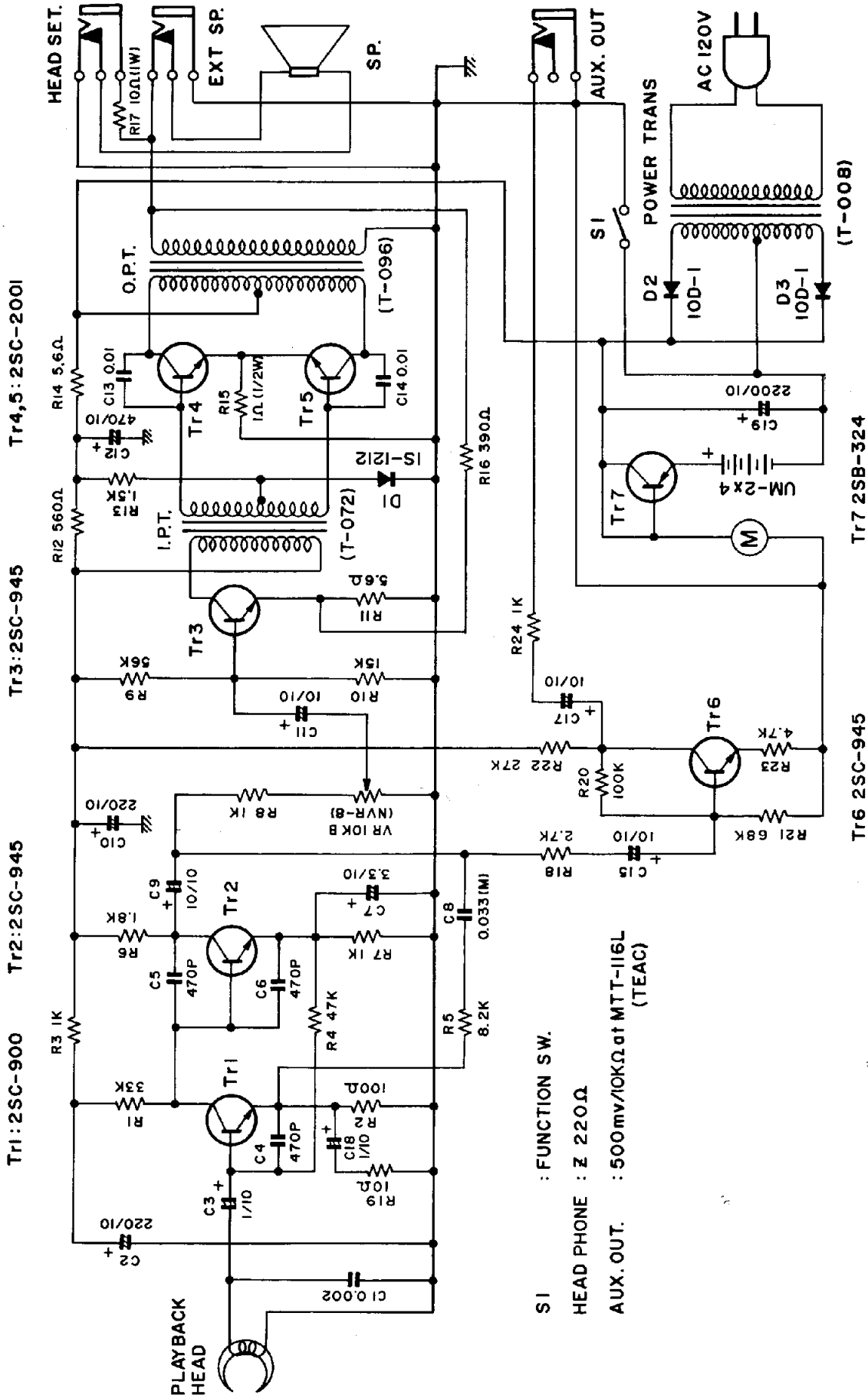
### 3410 AMPLIFIER COMPONENT IDENTIFICATION



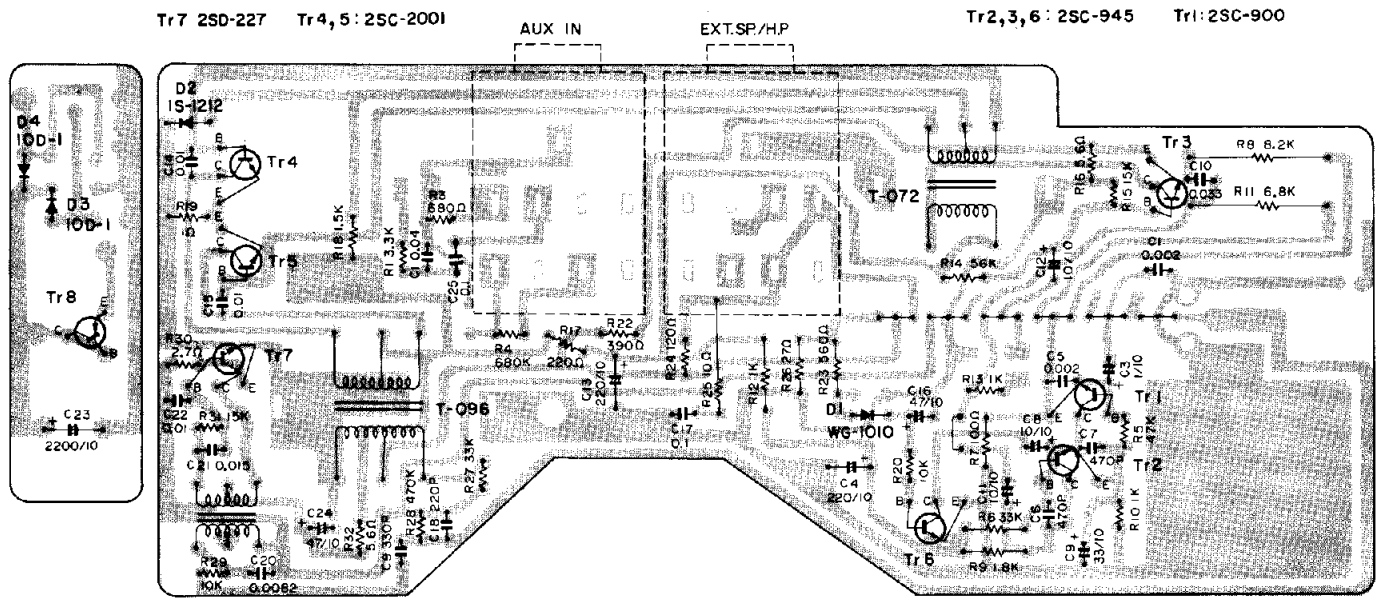
### 3410 WIRING DIAGRAM



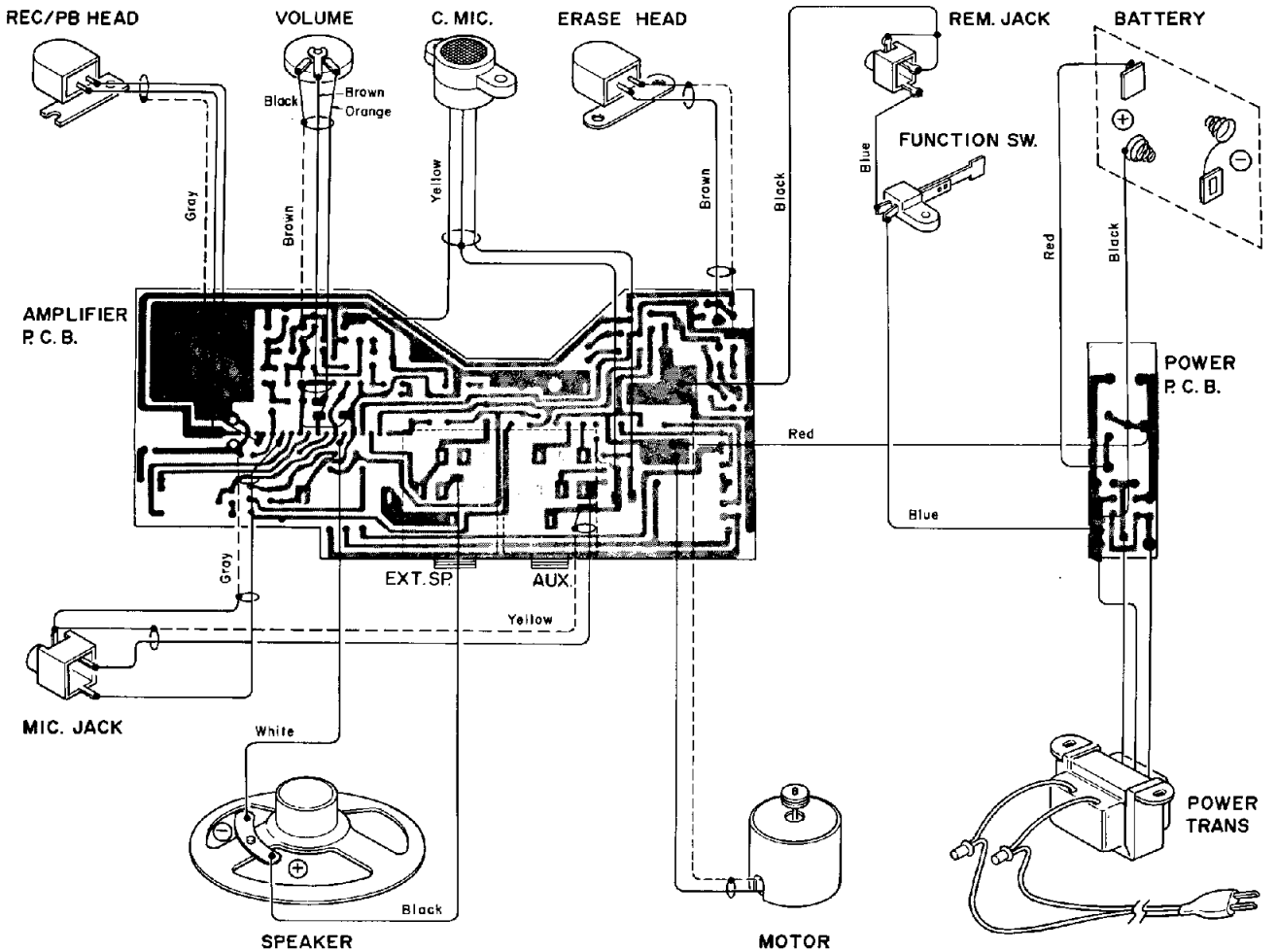
3410 SCHEMATIC



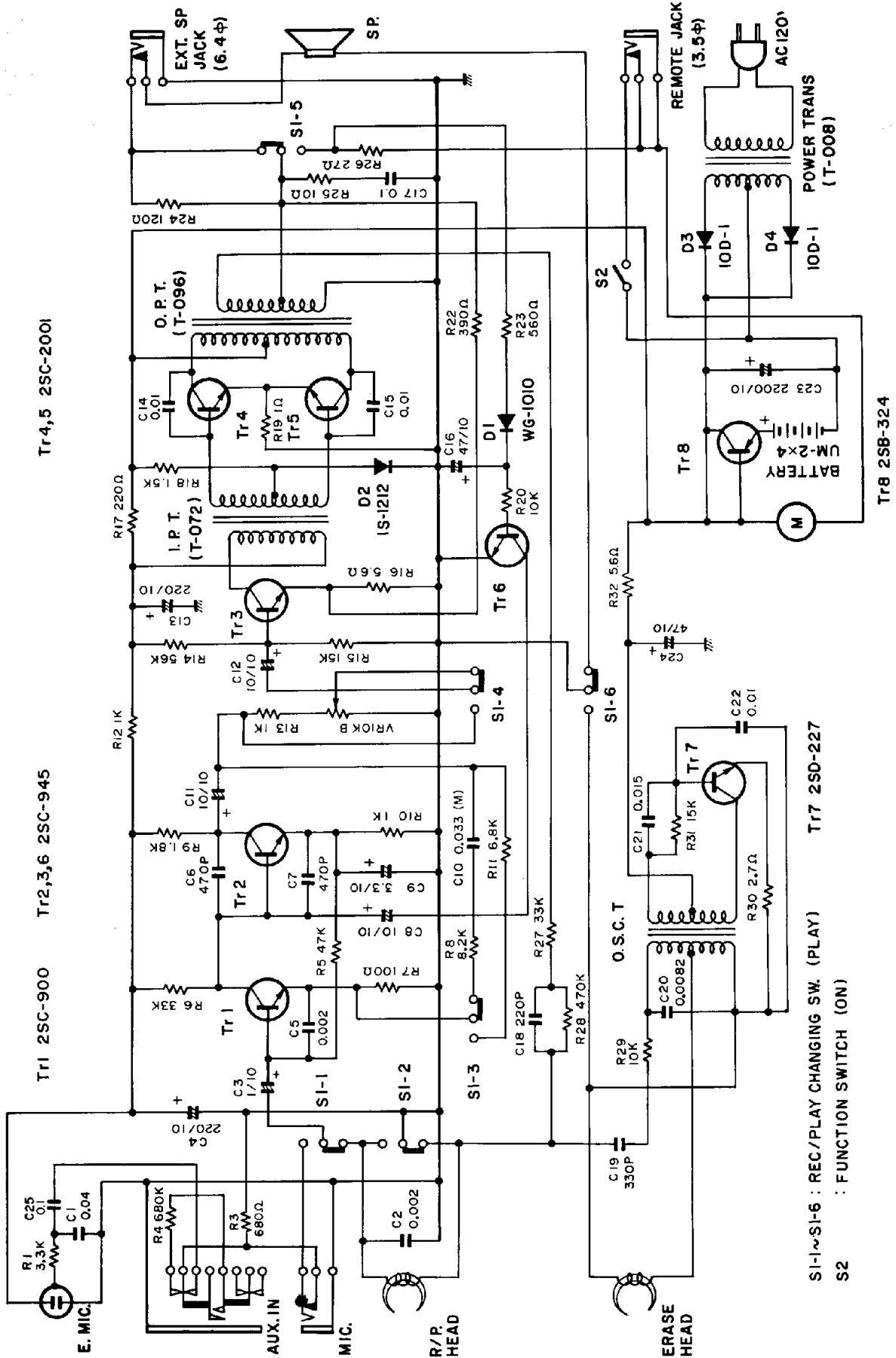
### 3420 AMPLIFIER COMPONENT IDENTIFICATION



### 3420 WIRING DIAGRAM



3420 SCHEMATIC



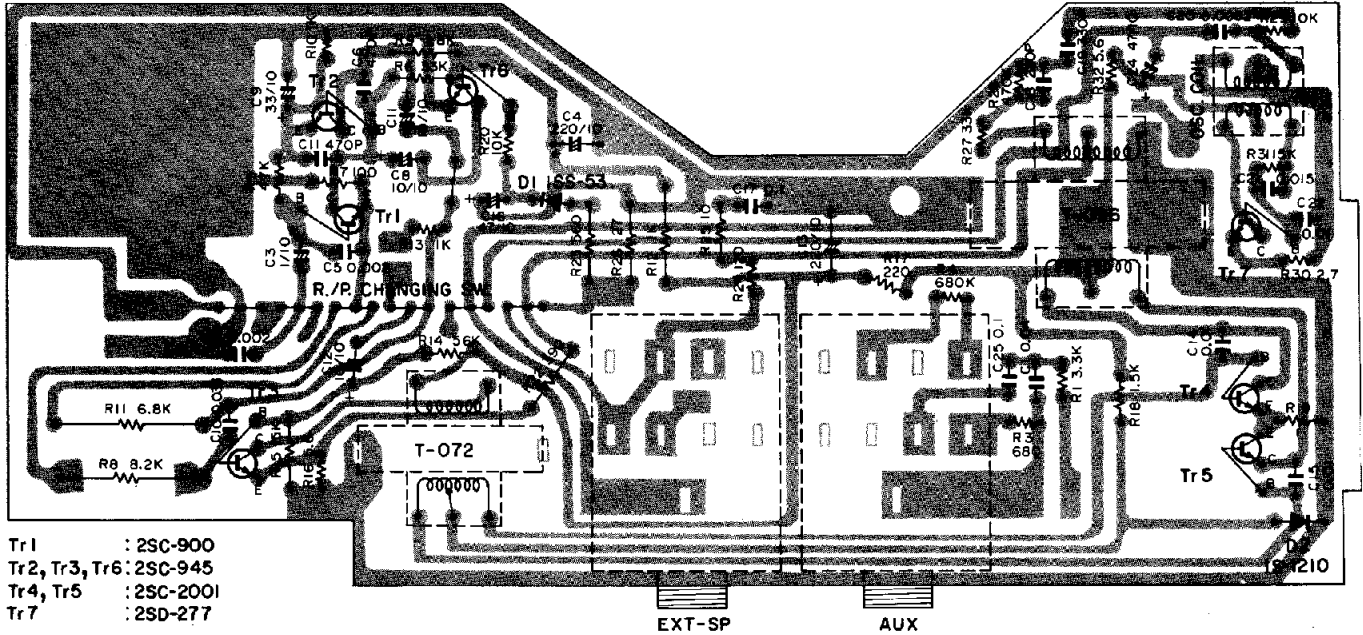
Tr1 2SC-900      Tr2,3,6 2SC-945      Tr4,5 2SC-2001

Tr7 2SD-227

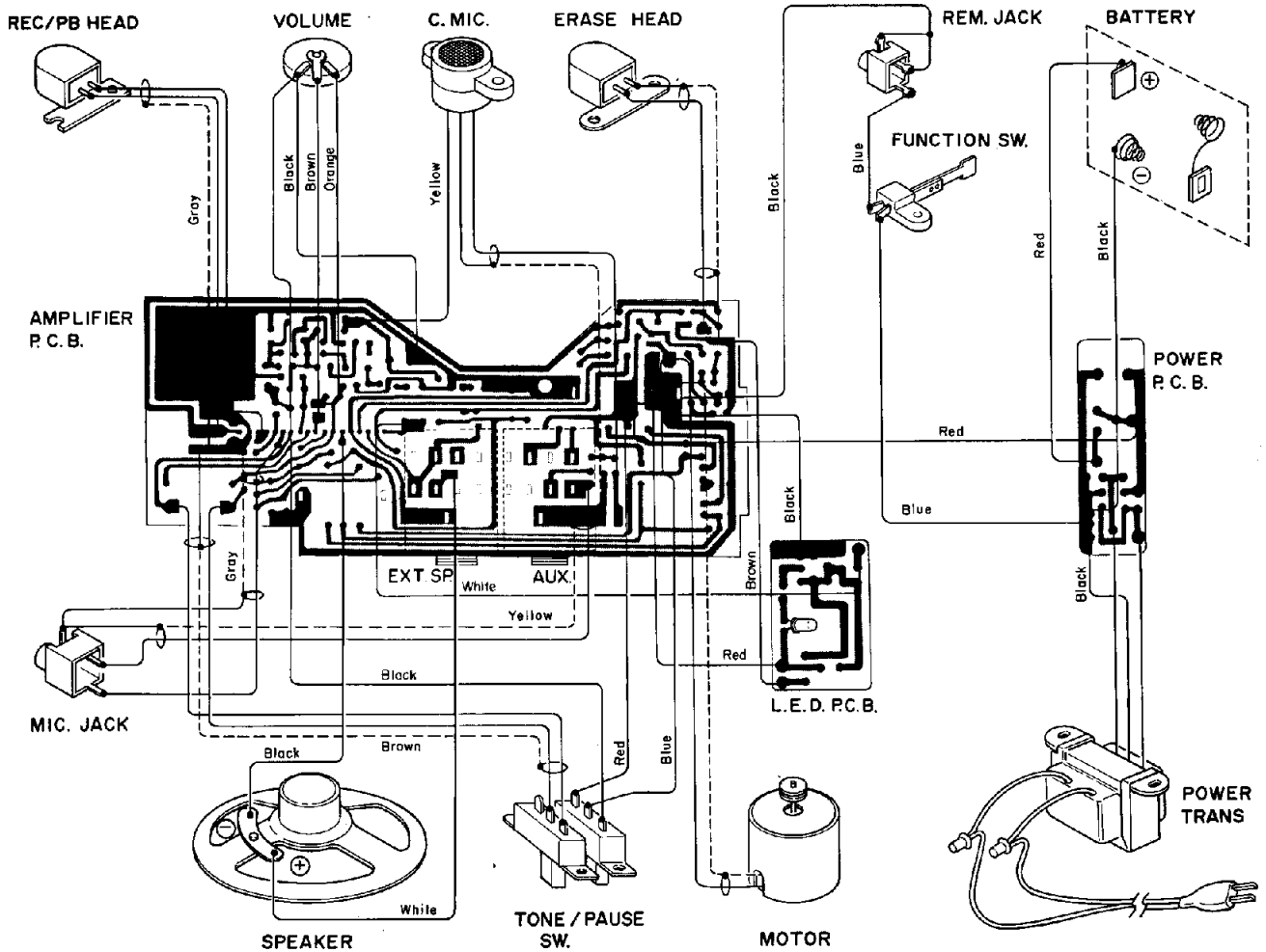
S1-1~S1-6 : REC/PLAY CHANGING SW. (PLAY)

S2 : FUNCTION SWITCH (ON)

3430 AMPLIFIER COMPONENT IDENTIFICATION



3430 WIRING DIAGRAM





3430 SCHEMATIC

